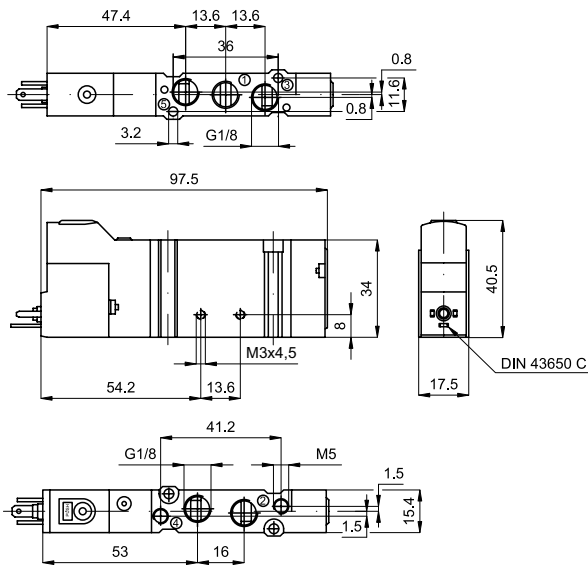


Standard executions			
Version	Symbol	Code	Item
1/8" ports		035051	AE15181520
EXTERNAL AIR PILOT			
1/8" ports		035061	AE15181520K



Note: The fixing screws for mounting on sub-base are included in the base kit.
The maximum torque of the fixing screw of the coil must not exceed 1Nm.

Type: **AE15181520**
AE15181520K



Series of spool valves with reduced dimensions and low electrical consumption, thanks to which they can be operated directly by electronic systems.

The ports are available in various configurations for mounting on base or single use; in case of single use the relevant fixing plate must be applied.

Coils and connectors are to be ordered separately.

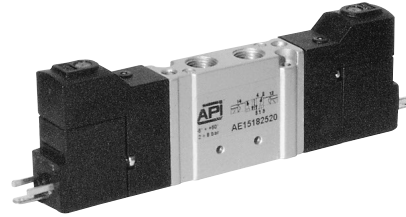
For the fixing plate type PF 1518 see page 2.20.1.
For the coils type ASA 18.. see page 2.200.1.
For the connectors type A05207.. see page 2.210.1.
For the sub-bases type SB15.. see page 2.20.1.

In the external air pilot versions the ports for external piloting are M5.

Technical data

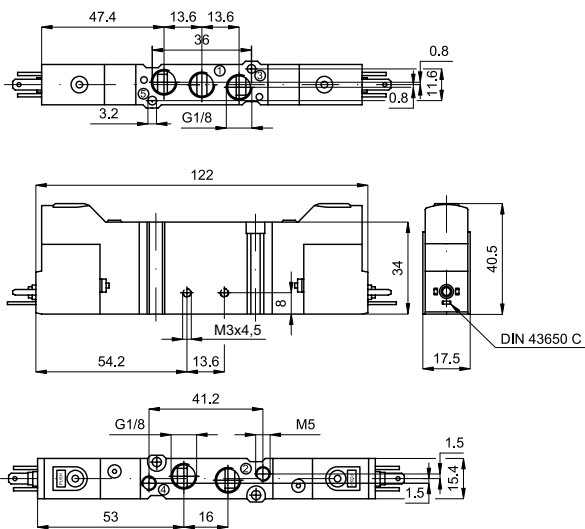
Fluid	Compressed filtered air with or without lubrication. Lubrication, if started, must be continued.	
Pressure range	2 ÷ 8 bar	With external air pilot: 0 ÷ 8 bar
Temperature range	-5 °C ÷ + 50°C	
Orifice	6 mm	
Flow	800 NI/min	
Manual override	Single stable position, flat	
Response time	Energising: 24 ms	De-energising: 35 ms
Mounting	In any position	
Materials	Body: Die-cast aluminium Heads: Acetal resin Seals: Nitrile rubber (NBR)	

Standard executions			
Version	Symbol	Code	Item
1/8" ports		035071	AE15182520
EXTERNAL AIR PILOT			
1/8" ports		035081	AE15182520K



Note: The fixing screws for mounting on sub-base are included in the base kit.
The maximum torque of the fixing screw of the coil must not exceed 1Nm.

Type: **AE15182520**
AE15182520K



Series of spool valves with reduced dimensions and low electrical consumption, thanks to which they can be operated directly by electronic systems.

The ports are available in various configurations for mounting on base or single use; in case of single use the relevant fixing plate must be applied.

Coils and connectors are to be ordered separately.

For the fixing plate type PF 1518

see page 2.20.1.

For the coils type ASA 18..

see page 2.200.1.

For the connectors type A05207..

see page 2.210.1.

For the sub-bases type SB15..

see page 2.20.1.

In the external air pilot versions the ports for external piloting are M5.

Technical data

Fluid	Compressed filtered air with or without lubrication. Lubrication, if started, must be continued.	
Pressure range	2 ÷ 8 bar	With external air pilot: 0 ÷ 8 bar
Temperature range	-5 °C ÷ + 50 °C	
Orifice	6 mm	
Flow	800 NI/min	
Manual override	Single stable position, flat	
Response time	Energising: 24 ms	
Mounting	In any position	
Materials	Body:	Die-cast aluminium
	Heads:	Acetal resin
	Seals:	Nitrile rubber (NBR)

Standard executions

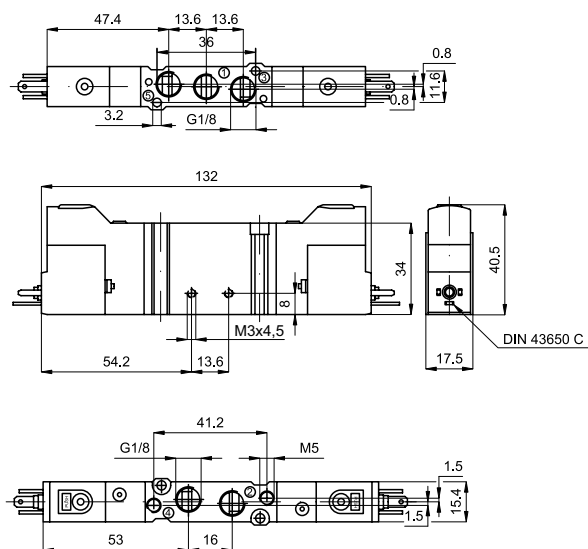
Version	Symbol	Code	Item
1/8" ports, with closed centres		035091	AE1518253C
1/8" ports, with open centres		035094	AE1518253A
1/8" ports, pressurised centres		035097	AE1518253P
EXTERNAL AIR PILOT			
1/8" ports, with closed centres		035101	AE1518253CK
1/8" ports, with open centres		035104	AE1518253AK
1/8" ports, pressurised centres		035107	AE1518253PK



Note: The fixing screws for mounting on sub-base are included in the base kit.

The maximum torque of the fixing screw of the coil must not exceed 1Nm.

Type: AE1518253...



Series of spool valves with reduced dimensions and low electrical consumption, thanks to which they can be operated directly by electronic systems.

The ports are available in various configurations for mounting on base or single use; in case of single use the relevant fixing plate must be applied.

Coils and connectors are to be ordered separately.

For the fixing plate type PF 1518
 For the coils type ASA 18..
 For the connectors type A05207..
 For the sub-bases type SB1..

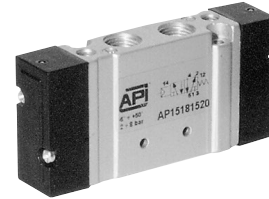
see page 2.20.1.
 see page 2.200.1.
 see page 2.210.1.
 see page 2.20.1.

In the external air pilot versions the ports for external piloting are M5.

Technical data

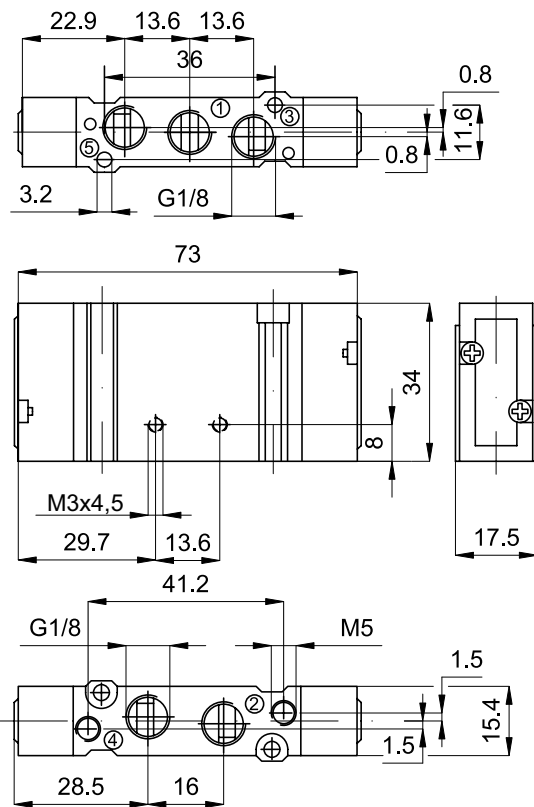
Fluid	Compressed filtered air with or without lubrication. Lubrication, if started, must be continued.	
Pressure range	3 ÷ 8 bar	With external air pilot: 0 ÷ 8 bar
Temperature range	-5 °C ÷ + 50 °C	
Orifice	6 mm	
Flow	600 NI/min	
Manual override	Single stable position, flat	
Response time	Energising: 24 ms	De-energising: 35 ms
Mounting	In any position	
Materials	Body:	Die-cast aluminium
	Heads:	Acetal resin
	Seals:	Nitrile rubber (NBR)

Standard executions			
Version	Symbol	Code	Item
1/8" ports, solenoid/spring		035111	AP15181520
1/8" ports, solenoid/solenoid		035121	AP15182520
1/8" ports, solenoid/solenoid differential		035131	AP15182521



Note: The fixing screws for mounting on sub-base are included in the base kit.

Type: AP1518...



Series of spool valves with reduced dimensions.

The ports are available in various configurations for mounting on base or single use; in case of single use the relevant fixing plate must be applied.

For the fixing plate type PF 1518 see page 2.20.1.

For the sub-bases type SB15.. see page 2.20.1.

The air piloting ports are M5 threaded.

Technical data

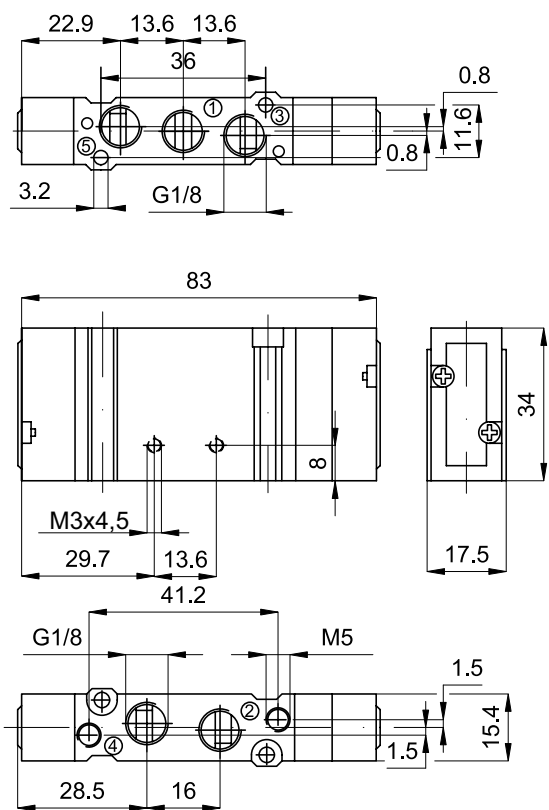
Fluid	Compressed filtered air with or without lubrication. Lubrication, if started, must be continued.	
Pressure range	2 ÷ 8 bar	
Temperature range	-5 °C ÷ + 50 °C	
Orifice	6 mm	
Flow	800 NI/min	
Mounting	In any position	
Materials	Body:	Die-cast aluminium
	Heads:	Acetal resin
	Seals:	Nitrile rubber (NBR)

Standard executions			
Version	Symbol	Code	Item
1/8" ports, with closed centres		035141	AP1518253C
1/8" ports, with open centres		035144	AP1518253A
1/8" ports, pressurised centres		035147	AP1518253P

Note: The fixing screws for mounting on sub-base are included in the base kit.



Type: AP1518253...



Series of spool valves with reduced dimensions.

The ports are available in various configurations for mounting on base or single use; in case of single use the relevant fixing plate must be applied.

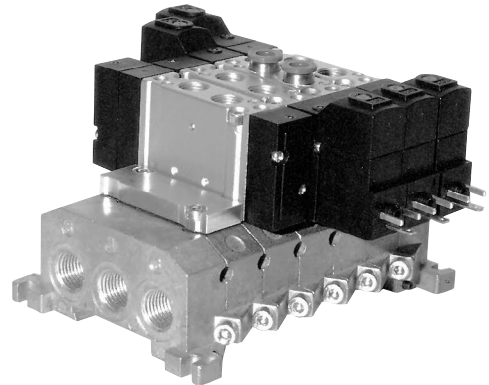
For the fixing plate type PF 1518 see page 2.20.1.
For the sub-bases type SB15.. see page 2.20.1.

The air piloting ports are M5 threaded.

Technical data	
Fluid	Compressed filtered air with or without lubrication. Lubrication, if started, must be continued.
Pressure range	2 ÷ 8 bar
Temperature range	-5 °C ÷ + 50 °C
Orifice	6 mm
Flow	600 NI/min
Mounting	In any position
Materials	Body: Die-cast aluminium Heads: Acetal resin Seals: Nitrile rubber (NBR)

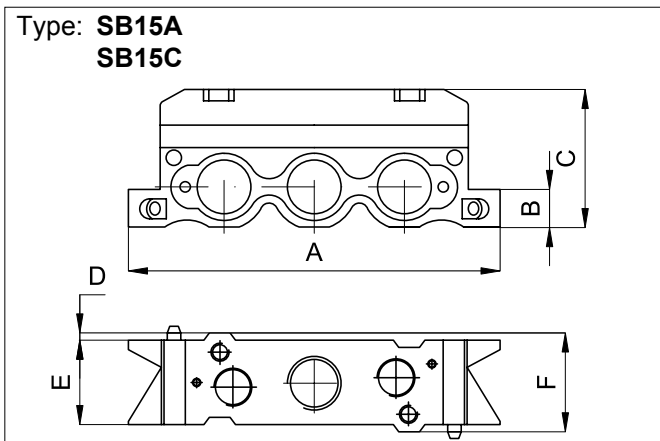
Standard executions			
Version	Symbol	Code	Item
Intermediate sub-base		035152	SB15A
Intermediate blank sub-base		035153	SB15C
End plate kit one inel and one blank		035154	SB15CA
Ported end plates (2 of)		035155	SB15AA
Manifold blanking plate		035156	SB15T
Mounting bracket for single valve		035151	PF1518
Interface for sub-base from size 15 mm to 18 mm		035157	SB1518

The blank intermediate sub-base can be used to separate 2 inlets at different pressures on the same manifold.

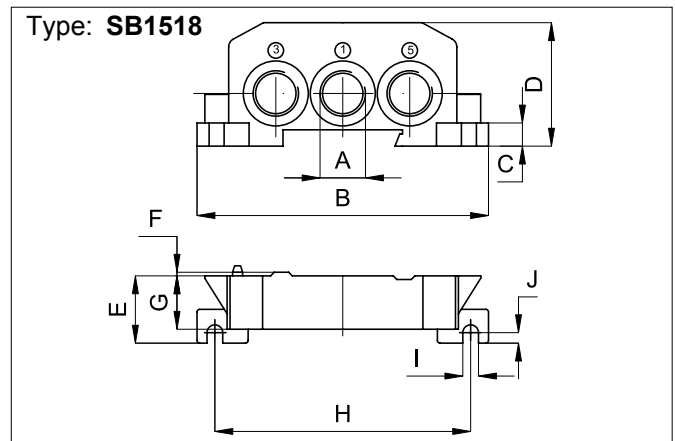


Materials:	Die-cast aluminium Seals: Nitrile rubber (NBR) Screws: Zinc plated steel
------------	--

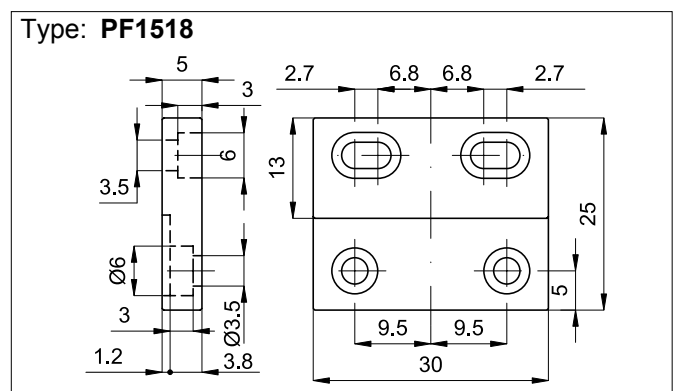
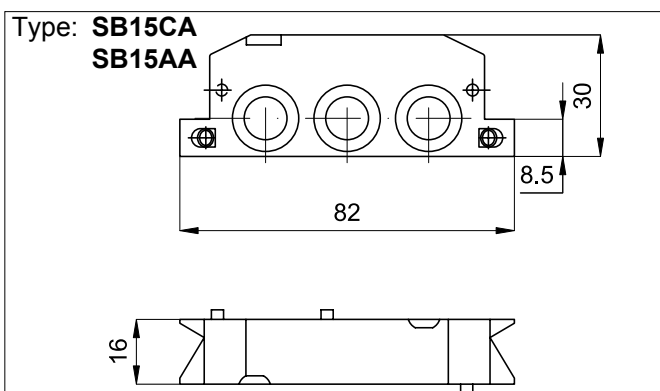
- The intermediate sub-base kit includes:
 - 2 screws and 1 seal for mounting the valve
 - 2 screws and 1 seal for assembling the manifold.
- The end plate kit includes:
 - 2 screws and 1 seal for assembling the manifold.
- The interface kit includes:
 - 2 screws and 1 seal for assembling the manifold.



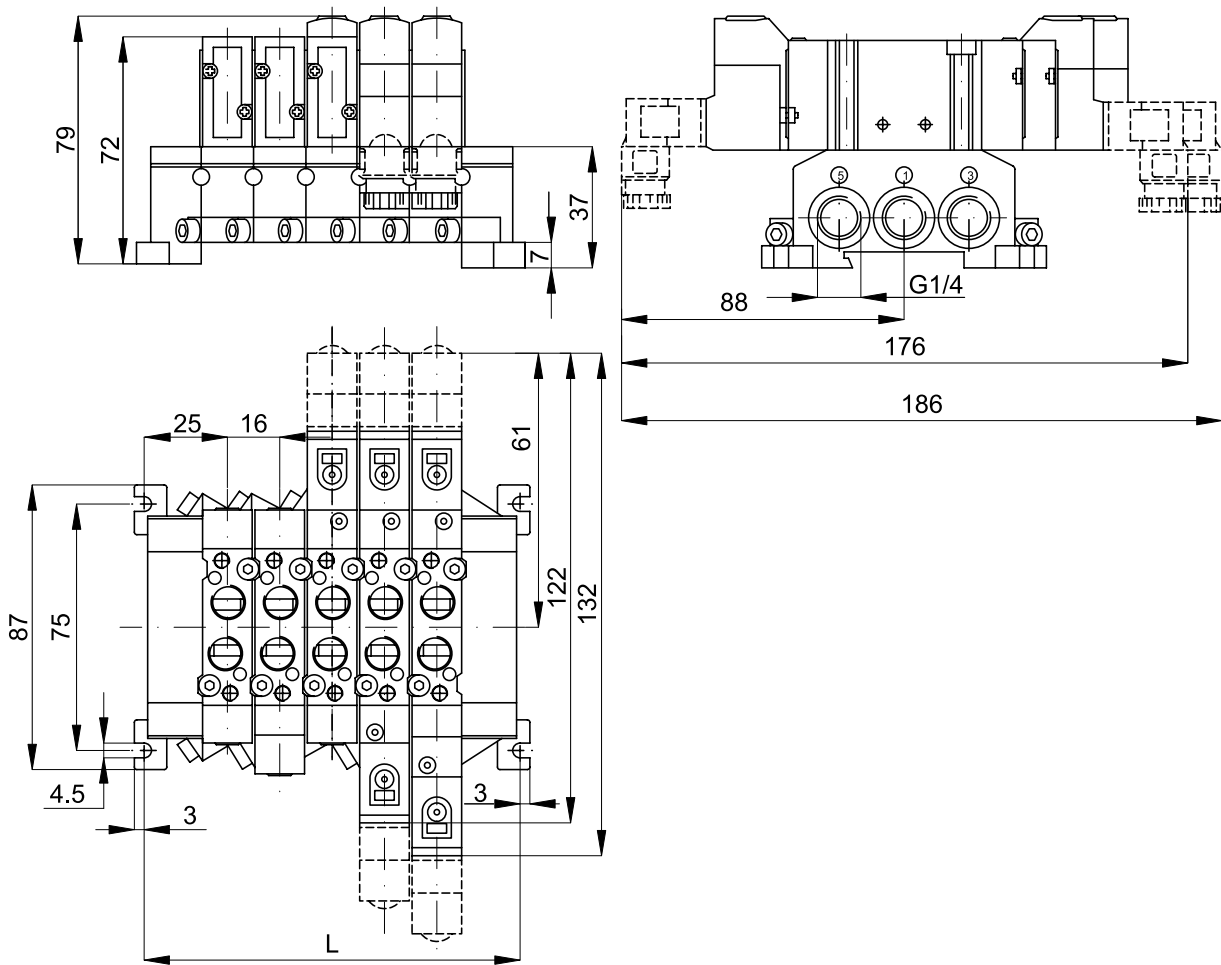
A	B	C	D	E	F
82	8,5	30	1,1	16	18,2



A	B	C	D	E	F	G	H	I	J
1/4"	87	7	37	20	1,1	16	75	4,5	3



Overall dimensions for manifold with valves mounted

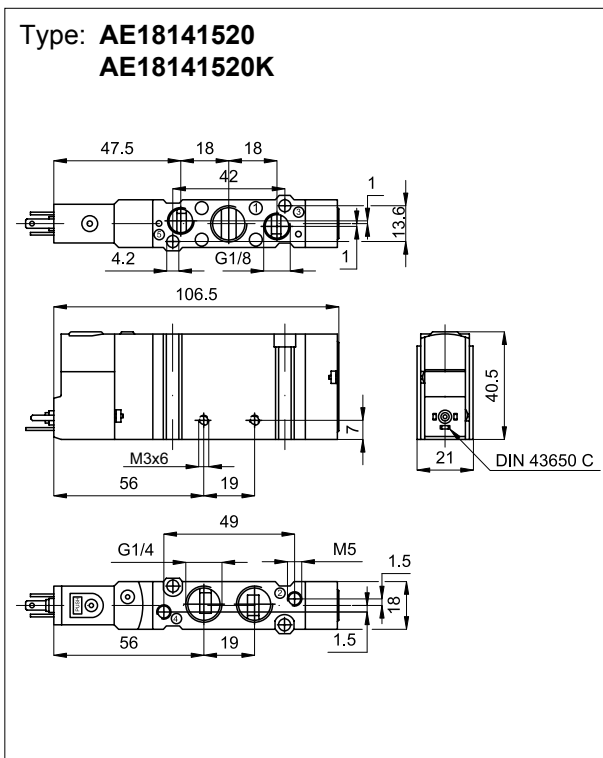


Positions	2	3	4	5	6	7	8	9	10	11	12	13	14	15	16	17	18	19	20
L	66	82	98	114	130	146	162	178	194	210	226	242	258	274	290	306	322	338	354

Standard executions			
Version	Symbol	Code	Item
1/4" ports		035201	AE18141520
EXTERNAL AIR PILOT			
1/4" ports		035211	AE18141520K



Note: The fixing screws for mounting on sub-base are included in the base kit.
The maximum torque of the fixing screw of the coil must not exceed 1Nm.



Series of spool valves with reduced dimensions and low electrical consumption, thanks to which they can be operated directly by electronic systems.

The ports are available in various configurations for mounting on base or single use; in case of single use the relevant fixing plate must be applied.

Coils and connectors are to be ordered separately.

For the fixing plate type PF 1518 see page 2.20.1.
For the coils type ASA 18.. see page 2.200.1.
For the connectors type A05207.. see page 2.210.1.
For the sub-bases type SB18.. see page 2.40.1.

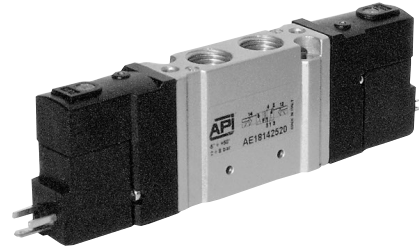
In the external air pilot versions the ports for external piloting are M5.

The exhausts are 1/8".

Technical data		
Fluid	Compressed filtered air with or without lubrication. Lubrication, if started, must be continued.	
Pressure range	2 ÷ 8 bar	With external air pilot: 0 ÷ 8 bar
Temperature range	-5 °C ÷ + 50°C	
Orifice	8 mm	
Flow	1200 NI/min	
Manual override	Single stable position, flat	
Response time	Energising: 24 ms	De-energising: 35 ms
Mounting	In any position	
Materials	Body:	Die-cast aluminium
	Heads:	Acetal resin
	Seals:	Nitrile rubber (NBR)

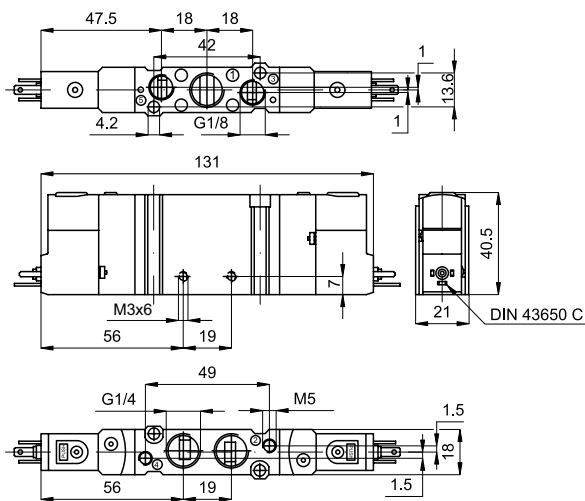
Standard executions

Version	Symbol	Code	Item
1/4" ports		035221	AE18142520
EXTERNAL AIR PILOT			
1/4" ports		035231	AE18142520K



Note: The fixing screws for mounting on sub-base are included in the base kit.
The maximum torque of the fixing screw of the coil must not exceed 1Nm.

Type: **AE18142520**
AE18142520K



Series of spool valves with reduced dimensions and low electrical consumption, thanks to which they can be operated directly by electronic systems.

The ports are available in various configurations for mounting on base or single use; in case of single use the relevant fixing plate must be applied.

Coils and connectors are to be ordered separately.

For the fixing plate type PF 1518 see page 2.20.1.
For the coils type ASA 18.. see page 2.200.1.
For the connectors type A05207.. see page 2.210.1.
For the sub-bases type SB18.. see page 2.40.1.

In the external air pilot versions the ports for external piloting are M5.

The exhausts are 1/8".

Technical data

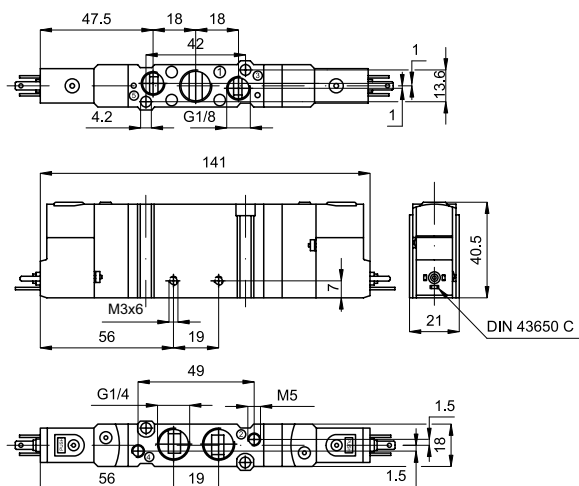
Fluid	Compressed filtered air with or without lubrication. Lubrication, if started, must be continued.	
Pressure range	2 ÷ 8 bar	With external air pilot: 0 ÷ 8 bar
Temperature range	-5 °C ÷ + 50°C	
Orifice	8 mm	
Flow	1200 NI/min	
Manual override	Single stable position, flat	
Response time	Energising: 24 ms	
Mounting	In any position	
Materials	Body:	Die-cast aluminium
	Heads:	Acetal resin
	Seals:	Nitrile rubber (NBR)

Standard executions			
Version	Symbol	Code	Item
1/4" ports, with closed centres		035241	AE1814253C
1/4" ports, with open centres		035244	AE1814253A
1/4" ports, pressurised centres		035247	AE1814253P
EXTERNAL AIR PILOT			
1/4" ports, with closed centres		035251	AE1814253CK
1/4" ports, with open centres		035254	AE1814253AK
1/4" ports, pressurised centres		035257	AE1814253PK



Note: The fixing screws for mounting on sub-base are included in the base kit.
The maximum torque of the fixing screw of the coil must not exceed 1Nm.

Type: AE1814253...



Series of spool valves with reduced dimensions and low electrical consumption, thanks to which they can be operated directly by electronic systems.

The ports are available in various configurations for mounting on base or single use; in case of single use the relevant fixing plate must be applied.

Coils and connectors are to be ordered separately.

- For the fixing plate type PF 1518 see page 2.20.1.
- For the coils type ASA 18.. see page 2.200.1.
- For the connectors type A05207.. see page 2.210.1.
- For the sub-bases type SB18.. see page 2.40.1.

In the external air pilot versions the ports for external piloting are M5.

The exhausts are 1/8".

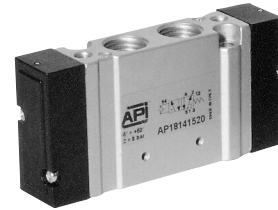
Technical data

Fluid	Compressed filtered air with or without lubrication. Lubrication, if started, must be continued.	
Pressure range	3 ÷ 8 bar	With external air pilot: 0 ÷ 8 bar
Temperature range	-5 °C ÷ + 50°C	
Orifice	8 mm	
Flow	700 NI/min	
Manual override	Single stable position, flat	
Response time	Energising: 24 ms	De-energising: 35 ms
Mounting	In any position	
Materials	Body:	Die-cast aluminium
	Heads:	Acetal resin
	Seals:	Nitrile rubber (NBR)

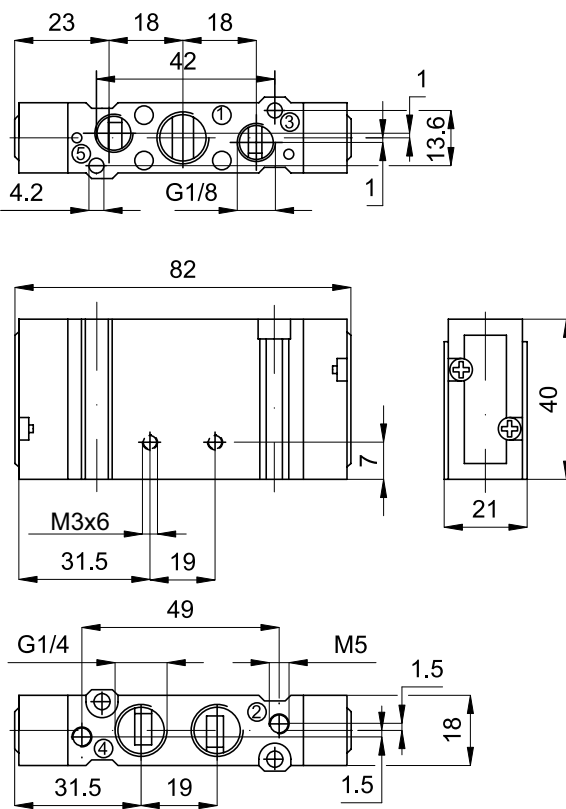
Standard executions

Version	Symbol	Code	Item
1/4" ports, single stable position		035261	AP18141520
1/4" ports, two stable position		035271	AP18142520
1/4" ports, two stable positions, differential		035281	AP18142521

Note: The fixing screws for mounting on sub-base are included in the base kit.



Type: AP1814...



Series of spool valves with reduced dimensions.

The ports are available in various configurations for mounting on base or single use; in case of single use the relevant fixing plate must be applied.

For the fixing plate type PF 1518 see page 2.20.1.

For the sub-bases type SB18.. see page 2.40.1.

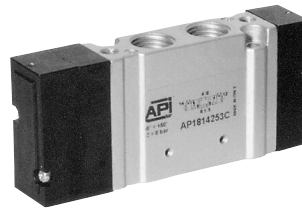
The air piloting ports are M5 threaded.

The exhausts are 1/8".

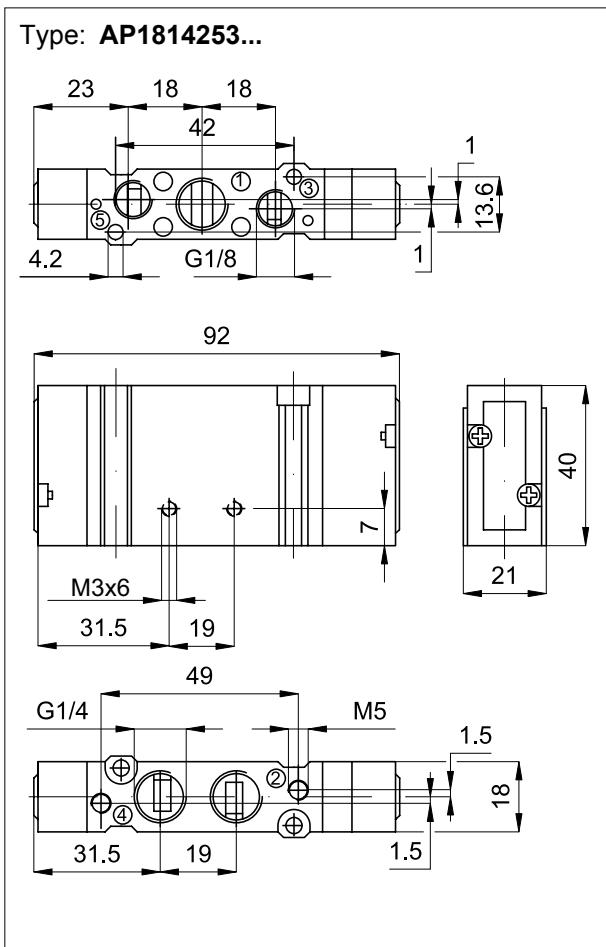
Technical data

Fluid	Compressed filtered air with or without lubrication. Lubrication, if started, must be continued.						
Pressure range	2 ÷ 8 bar						
Temperature range	-5 °C ÷ + 50 °C						
Orifice	8 mm						
Flow	1200 NI/min						
Mounting	In any position						
Materials	<table border="0"> <tr> <td>Body:</td> <td>Die-cast aluminium</td> </tr> <tr> <td>Heads:</td> <td>Acetal resin</td> </tr> <tr> <td>Seals:</td> <td>Nitrile rubber (NBR)</td> </tr> </table>	Body:	Die-cast aluminium	Heads:	Acetal resin	Seals:	Nitrile rubber (NBR)
Body:	Die-cast aluminium						
Heads:	Acetal resin						
Seals:	Nitrile rubber (NBR)						

Standard executions			
Version	Symbol	Code	Item
1/4" ports, with closed centres		035291	AP1814253C
1/4" ports, with open centres		035301	AP1814253A
1/4" ports, pressurised centres		035311	AP1814253P



Note: The fixing screws for mounting on sub-base are included in the base kit.



Series of spool valves with reduced dimensions.

The ports are available in various configurations for mounting on base or single use; in case of single use the relevant fixing plate must be applied.

For the fixing plate type PF 1518 see page 2.20.1.

For the sub-bases type SB18.. see page 2.40.1.

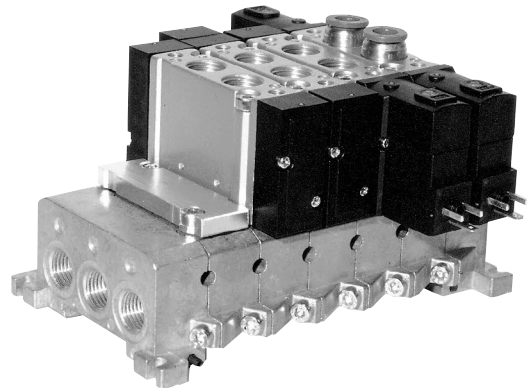
The air piloting ports are M5 threaded.

The exhausts are 1/8".

Technical data	
Fluid	Compressed filtered air with or without lubrication. Lubrication, if started, must be continued.
Pressure range	2 ÷ 8 bar
Temperature range	-5 °C ÷ + 50 °C
Orifice	8 mm
Flow	700 NI/min
Mounting	In any position
Materials	Body: Die-cast aluminium Heads: Acetal resin Seals: Nitrile rubber (NBR)

Standard executions			
Version	Symbol	Code	Item
Intermediate sub-base		035321	SB18A
Intermediate blank sub-base		035322	SB18C
End plate kit one inel and one blank		035323	SB18CA
Ported end plates (2 of)		035324	SB18AA
Manifold blanking plate		035325	SB18T
Mounting bracket for single valve		035151	PF1518
Interface for sub-base from size 15 mm to 18 mm		035157	SB1518

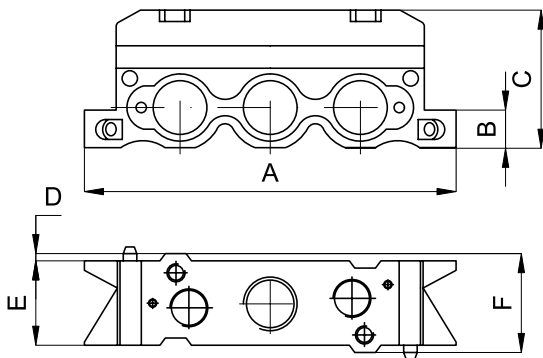
The blank intermediate sub-base can be used to separate 2 inlets at different pressures on the same manifold.



Materials:	Die-cast aluminium
	Seals: Nitrile rubber (NBR)
	Screws: Zinc plated steel

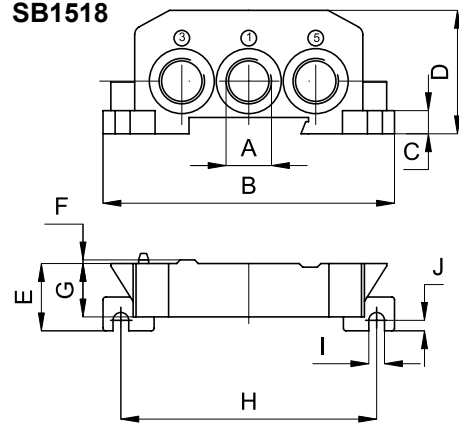
- The intermediate sub-base kit includes:
 - 2 screws and 1 seal for mounting the valve
 - 2 screws and 1 seal for assembling the manifold.
- The end plate kit includes:
 - 2 screws and 1 seal for assembling the manifold.
- The interface kit includes:
 - 2 screws and 1 seal for assembling the manifold.

Type: **SB18A**
SB18C



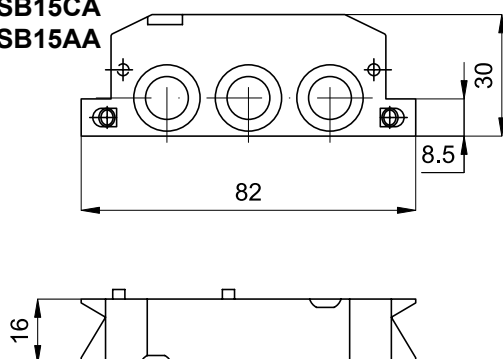
A	B	C	D	E	F
82	8,5	30	1,1	16	18,2

Type: **SB1518**

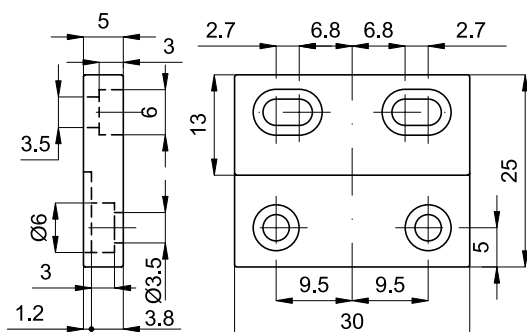


A	B	C	D	E	F	G	H	I	J
1/4"	87	7	37	20	1,1	16	75	4,5	3

Type: **SB15CA**
SB15AA



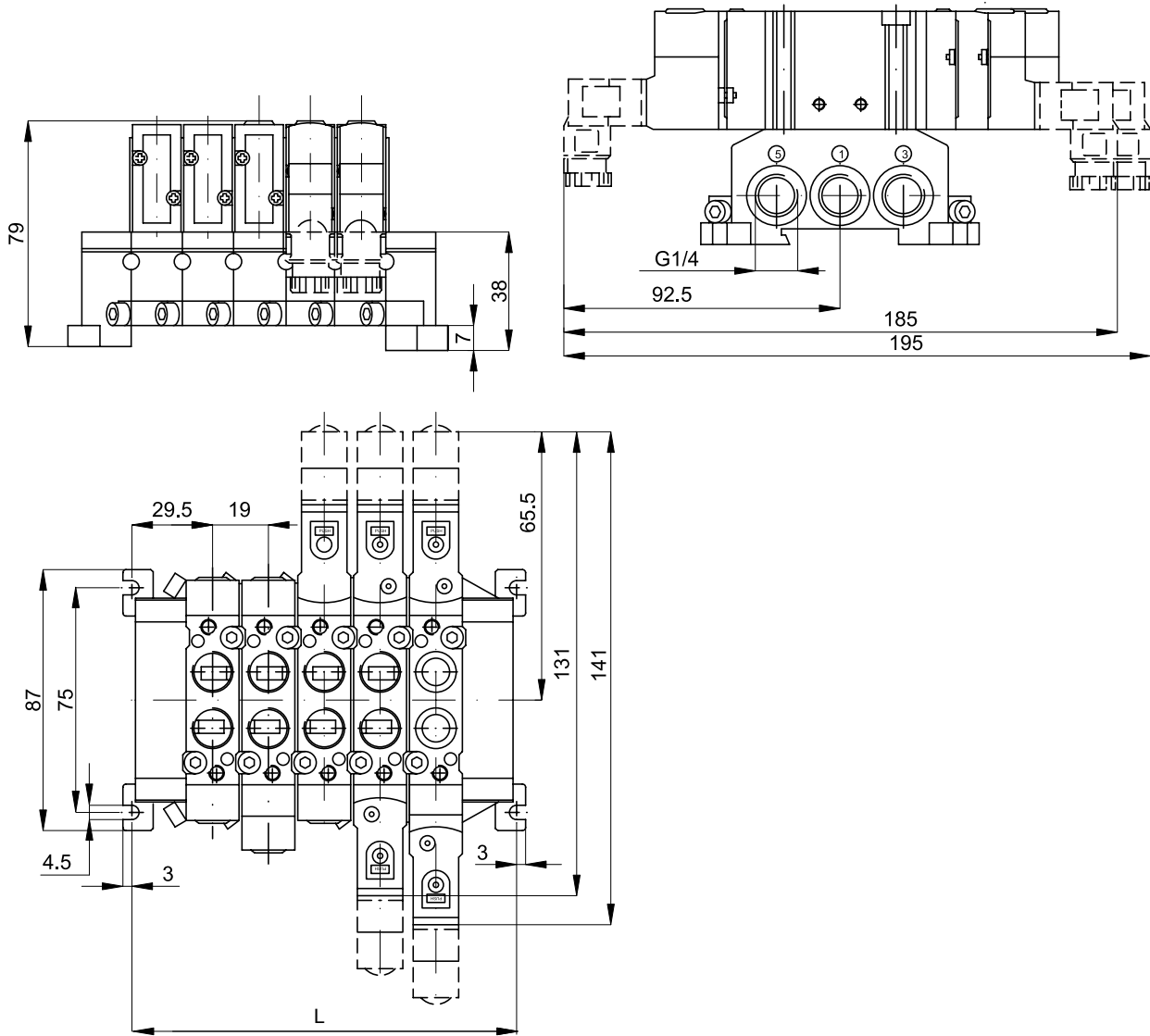
Type: **PF1518**





Electrically and pneumatically operated valves, sizes 15 and 18 mm
Sub-bases, size 18 mm

Overall dimensions for manifold with valves mounted



Positions	2	3	4	5	6	7	8	9	10	11	12	13	14	15	16	17	18	19	20
L	78	97	116	135	154	173	192	211	230	249	268	287	306	325	344	363	382	401	420

Standard executions

Version	Symbol	Code	Item
5/2 solenoid/spring		034011	A1E150
5/2 solenoid/solenoid		034021	A1E151
5/3 with closed centres		034031	A1E170
5/3 with open centres		034033	A1E171
5/3 with pressurised centres		034032	A1E172
5/2 solenoid/spring, external air pilot		034012	A1K150
5/2 solenoid/solenoid external air pilot		034008	A1K151
5/3 with closed centres, external air pilot		034009	A1K170
5/3 with open centres, external air pilot		034010	A1K171
5/3 with pressurised centres, external air pilot		034013	A1K172



Series of spool valves, with static seals, high flow, for panel or sub-base mounting.

Coils and connectors are to be ordered separately.

For the coils type ASA12...

see page 2.200.1

For the connectors type A122...

see page 2.210.20

For the sub-bases type A1B1...

see page 2.65.1

Code key

Series	Actuation	Size	Function
A1	E = electrical K = electrical with external air pilot	1 = 1/8" 2 = 1/4"	30 = 3/2 NC 31 = 3/2 NA 32 = 3/2 solenoid/solenoid 50 = 5/2 solenoid/spring 51 = 5/2 solenoid/solenoid 70 = 5/3 CC 71 = 5/3 CA 72 = 5/3 CP

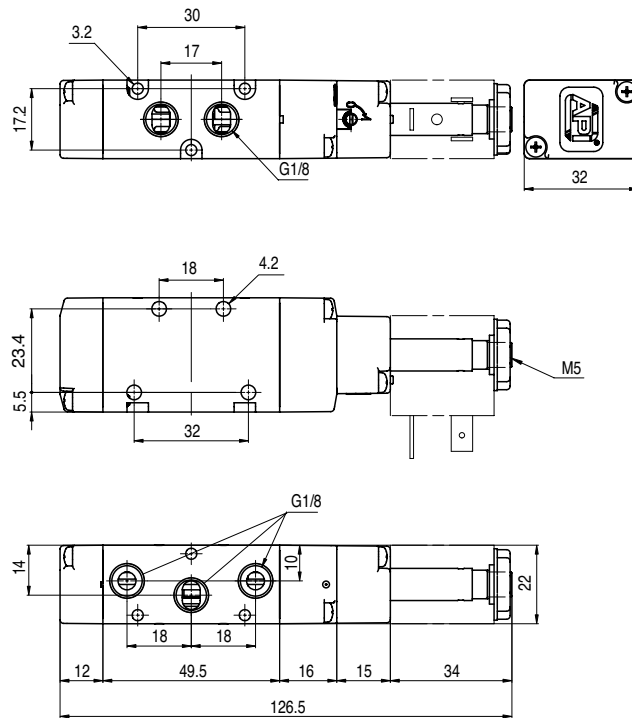


II 2Gc IIC T5
II 2Dc T100°C

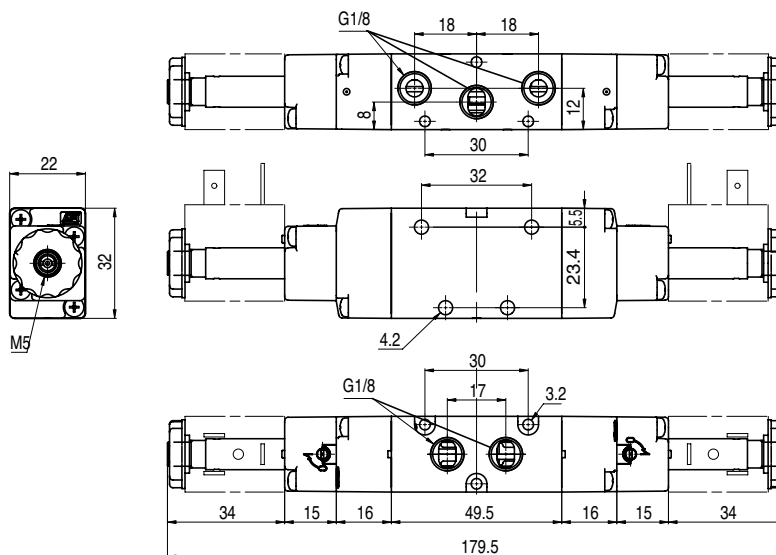
On request, they can be supplied according to 94/9/EC - ATEX

Technical data

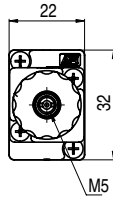
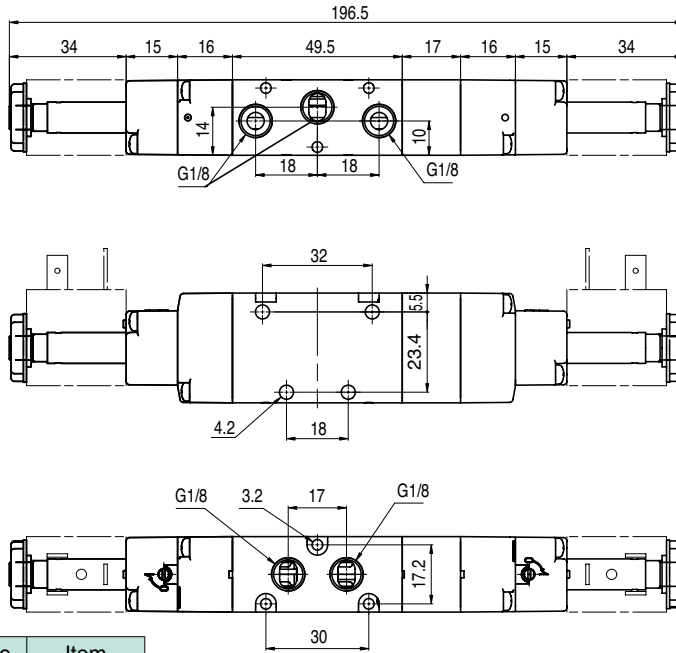
Fluid	Compressed filtered air with or without lubrication. Lubrication, if be used, must be continuous.		
Pressure range	Monostable: 1,5 ÷ 10 bar	Bistable: 1 ÷ 10 bar	3 position: 2,5 ÷ 10 bar
Temperature range	-10°C ÷ +60°C		
Orifice	6,5 mm		
Flow	650 NI/min. at 6 bar with ΔP 1bar		
Minimum external air pressure	1,5 bar		
Mounting	In any position		
Manual override	Bistable		
Response time (at 6 bar)	solenoid/spring		solenoid/solenoid
	Energising: 35 ms	De-energising: 15 ms	Energising: 20 ms De-energising: 20 ms
Materials	Body:	Anodised aluminium	
	Covers:	Delrin 500	
	Spool:	Hard aluminium anodized	
	Distancers:	Fortron 1140 L4	
	Seals:	Hydrogenated Nitrile Butadiene Rubber (HNBR)	



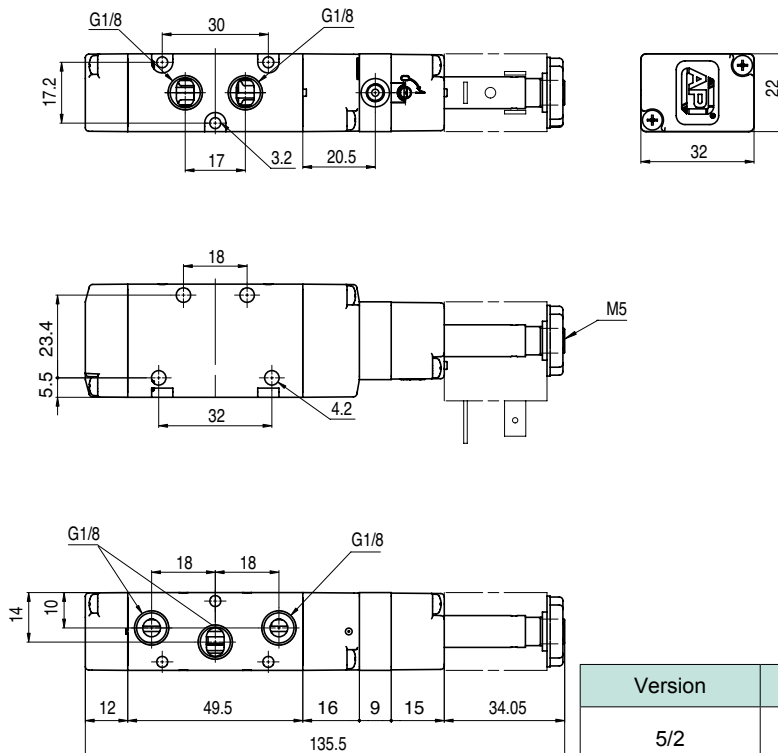
Version	Symbol	Code	Item
5/2 solenoid/spring		034011	A1E150



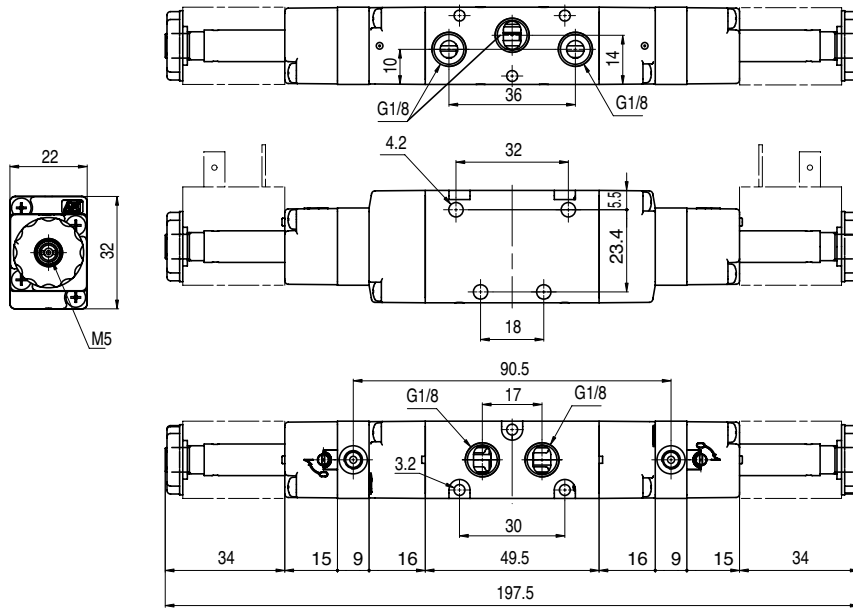
Version	Symbol	Code	Item
5/2 solenoid/solenoid		034021	A1E151



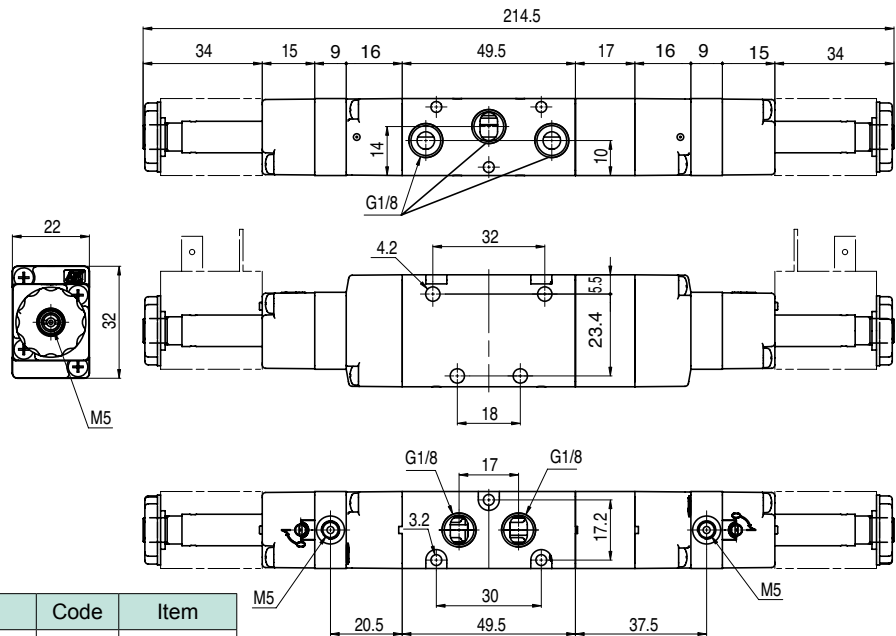
Version	Symbol	Code	Item
5/3 with closed centres		034031	A1E170
5/3 with open centres		034033	A1E171
5/3 with pressurised centers		034032	A1E172



Version	Symbol	Code	Item
5/2 solenoid/spring, external air pilot		034012	A1K150

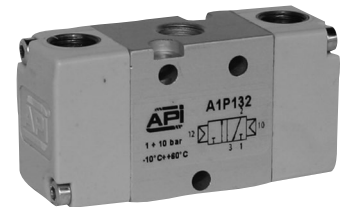


Version	Symbol	Code	Item
5/2 solenoid/solenoid external air pilot		034008	A1K151



Version	Symbol	Code	Item
5/3 with closed centres, external air pilot		034009	A1K170
5/3 with open centres, external air pilot		034010	A1K171
5/3 with pressurised centers, external air pilot		034013	A1K172

Standard executions			
Version	Symbol	Code	Item
3/2 NC		034014	A1P130
3/2 NA		034015	A1P131
3/2 pilot/pilot		034016	A1P132
3/2 pilot/pilot differential		034017	A1P133



Series of spool valves, with static seals, high flow, for panel or sub-base mounting.

For the sub-bases type A1B1... see page.2.65.1



II 2Gc IIC T5
II 2Dc T100°C

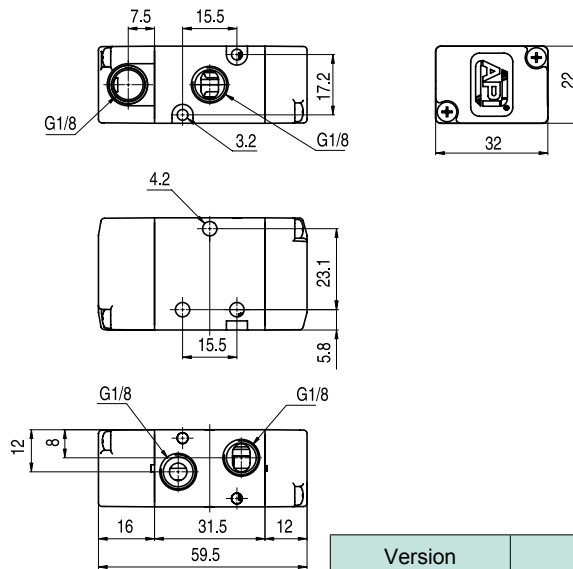
On request, they can be supplied according to 94/9/EC - ATEX

Code key

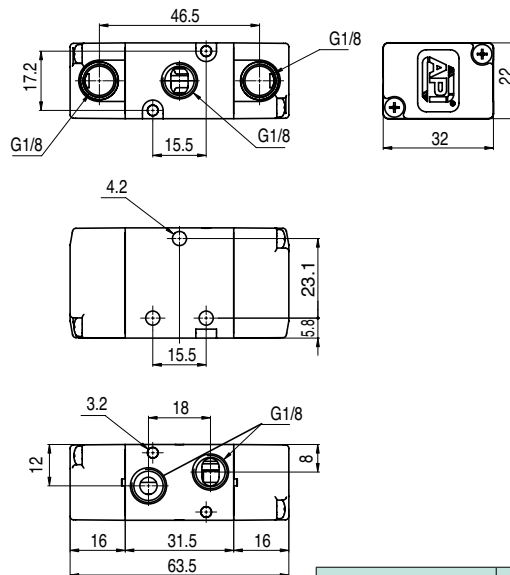
Series	Actuation	Size	Function
A1	P = pneumatic	1 = 1/8" 2 = 1/4"	30 = 3/2 NC 31 = 3/2 NA 32 = 3/2 pilot/pilot 33 = 3/2 pilot/pilot differential 50 = 5/2 pilot/spring 51 = 5/2 pilot/pilot 52 = 5/2 pilot/pilot differential 70 = 5/3 CC 71 = 5/3 CA 72 = 5/3 CP

Technical data

Fluid	Compressed filtered air with or without lubrication. Lubrication, if be used, must be continous.	
Pressure range	Monostable: 1,5 ÷ 10 bar	Bistable: 1 ÷ 10 bar
Temperature range	-10°C ÷ +60°C	
Orifice	6,5 mm	
Flow	650 NI/min at 6 bar with ΔP 1bar	
Minimum piloting pressure	1,5 bar	
Mounting	In any position	
Materials	Body:	Anodised aluminium
	Covers:	Delrin 500
	Spool:	Hard aluminium anodized
	Distancers:	Fortron 1140 L4
	Seals:	Hydrogenated Nitrile Butadiene Rubber (HNBR)



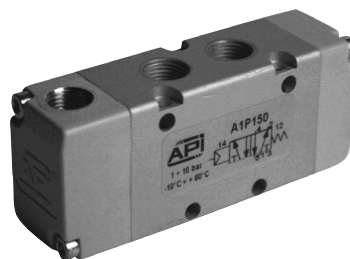
Version	Symbol	Code	Item
3/2 NC		034014	A1P130
3/2 NA		034015	A1P131



Version	Symbol	Code	Item
3/2 pilot/pilot		034016	A1P132
3/2 pilot/pilot differential		034017	A1P133

Standard executions

Version	Symbol	Code	Item
5/2 pilot/pilot		034001	A1P150
5/2 pilot/pilot		034002	A1P151
5/2 pilot/pilot differential		034018	A1P152
5/3 with closed centres		034019	A1P170
5/3 with open centres		034020	A1P171
5/3 with pressurised centers		034022	A1P172



Series of spool valves, with static seals, high flow, for panel or sub-base mounting.

For the sub-bases type A1B1... see page 2.65.1

Code key

Series	Actuation	Size	Function
A1	P = pneumatic	1 = 1/8" 2 = 1/4"	30 = 3/2 NC 31 = 3/2 NA 32 = 3/2 pilot/pilot 33 = 3/2 pilot/pilot differential 50 = 5/2 pilot/spring 51 = 5/2 pilot/pilot 52 = 5/2 pilot/pilot differential 70 = 5/3 CC 71 = 5/3 CA 72 = 5/3 CP

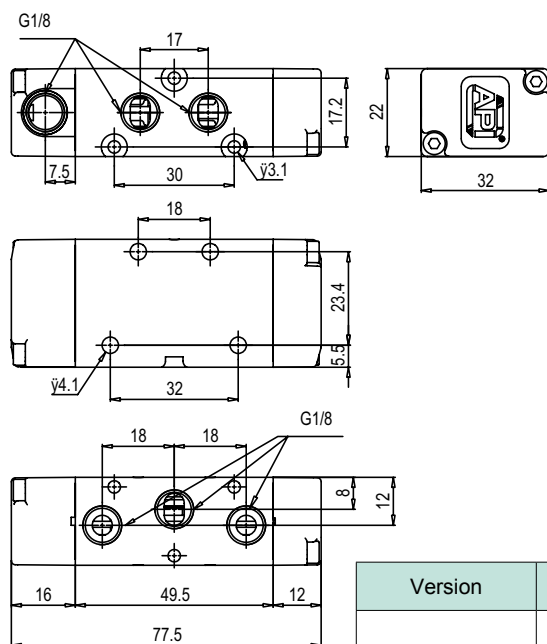


II 2Gc IIC T5
II 2Dc T100°C

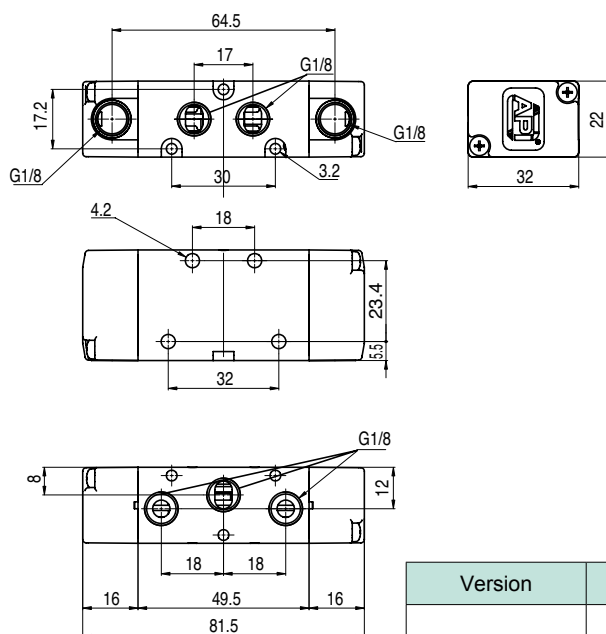
On request, they can be supplied according to 94/9/EC - ATEX

Technical data

Fluid	Compressed filtered air with or without lubrication. Lubrication, if started, must be continued.		
Pressure range	Monostable: 1,5 ÷ 10 bar	Bistable: 1 ÷ 10 bar	3 position: 2,5 ÷ 10 bar
Temperature range	-10°C ÷ +60°C		
Orifice	6,5 mm		
Flow	650 NI/min at 6 bar with ΔP 1bar		
Minimum piloting pressure	1,5 bar		
Mounting	In any position		
Materials	Body:	Anodised aluminium	
	Covers:	Delrin 500	
	Spool:	Hard aluminium anodized	
	Distancers:	Fortron 1140 L4	
	Seals:	Hydrogenated Nitrile Butadiene Rubber (HNBR)	



Version	Symbol	Code	Item
5/2 pilot/spring		034001	A1P150



Version	Symbol	Code	Item
5/2 pilot/pilot		034002	A1P151
5/2 pilot/pilot differential		034018	A1P152

Standard executions

Version	Code	Item
2 positions	034041	A1B102
3 positions	034042	A1B103
4 positions	034043	A1B104
5 positions	034044	A1B105
6 positions	034045	A1B106
7 positions	034046	A1B107
8 positions	034047	A1B108
9 positions	034048	A1B109
10 positions	034049	A1B110
blanking plate	034050	A1C1
plug	034051	A1T1



Multi-position sub-bases with fixed position, for valves series A1, 3 and 5 ways. 2 fixing screws for each position and the relevant seals are included in the base kit.
Spare positions can be blanked with plate.

Material:	Profiled anodised aluminium
-----------	-----------------------------

Code key

Series	Product	Size	N° positions
A1	B = base C = blanking plate T = plug	1 = 1/8" 2 = 1/4"	from 02 to 10

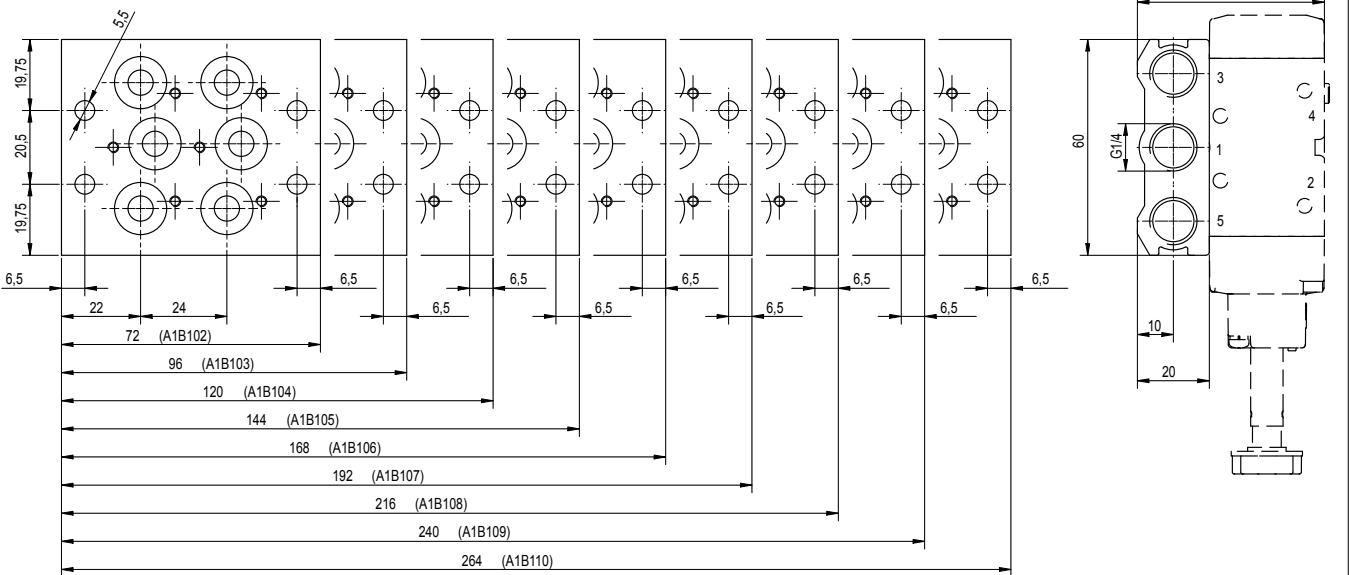


II 2Gc IIC T5
II 2Dc T100°C

On request, they can be supplied according to 94/9/EC - ATEX

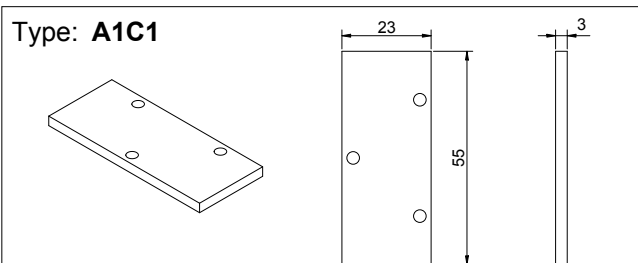
Multi position sub-base

Type: **A1B1..**



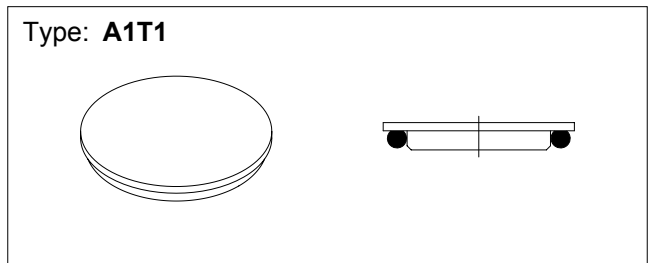
Blanking plate

Type: **A1C1**

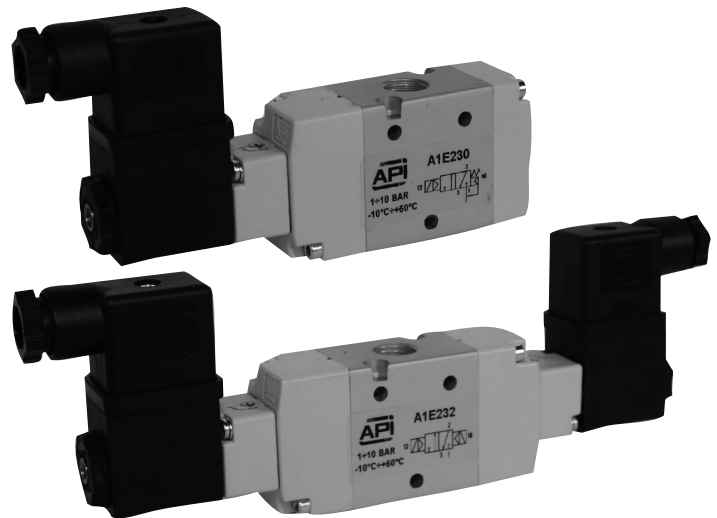


Plug

Type: **A1T1**



Standard executions			
Version	Symbol	Code	Item
3/2 NC		034025	A1E230
3/2 NO		034040	A1E231
3/2 solenoid/solenoid		034024	A1E232
3/2 NC external air pilot		034039	A1K230
3/2 solenoid/solenoid external air pilot		034023	A1K232



Series of spool valves, with static seals, high flow, for panel or sub-base mounting.

Coils and connectors are to be ordered separately.

For the coils type ASA12...

see page 2.200.1

For the connectors type A122...

see page 2.210.20

For the sub-bases type A1B2...

see page 2.85.1



II 2Gc IIC T5
II 2Dc T100°C

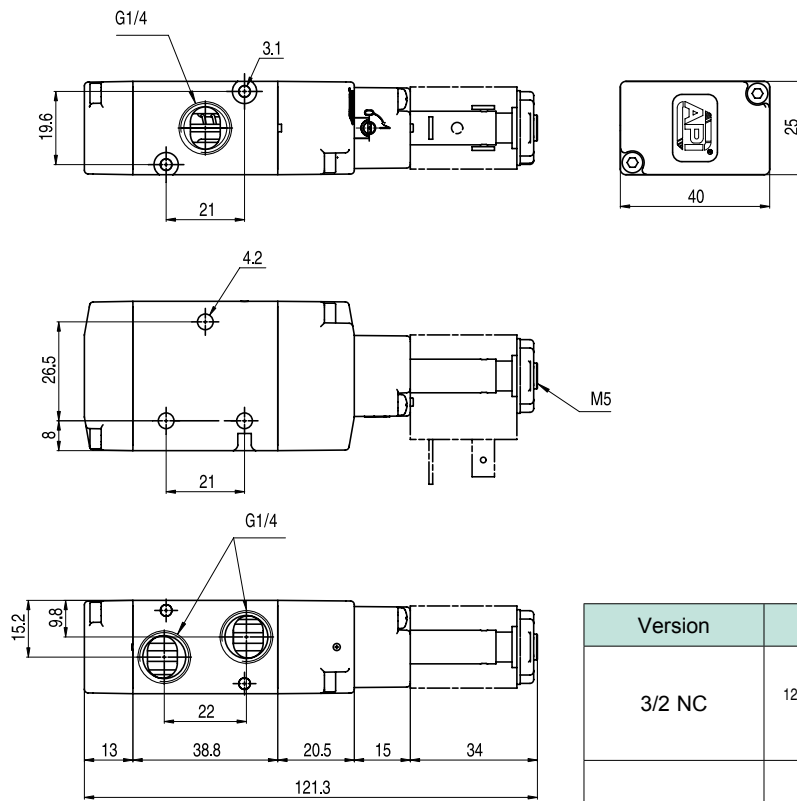
On request, they can be supplied according to 94/9/EC - ATEX

Code key

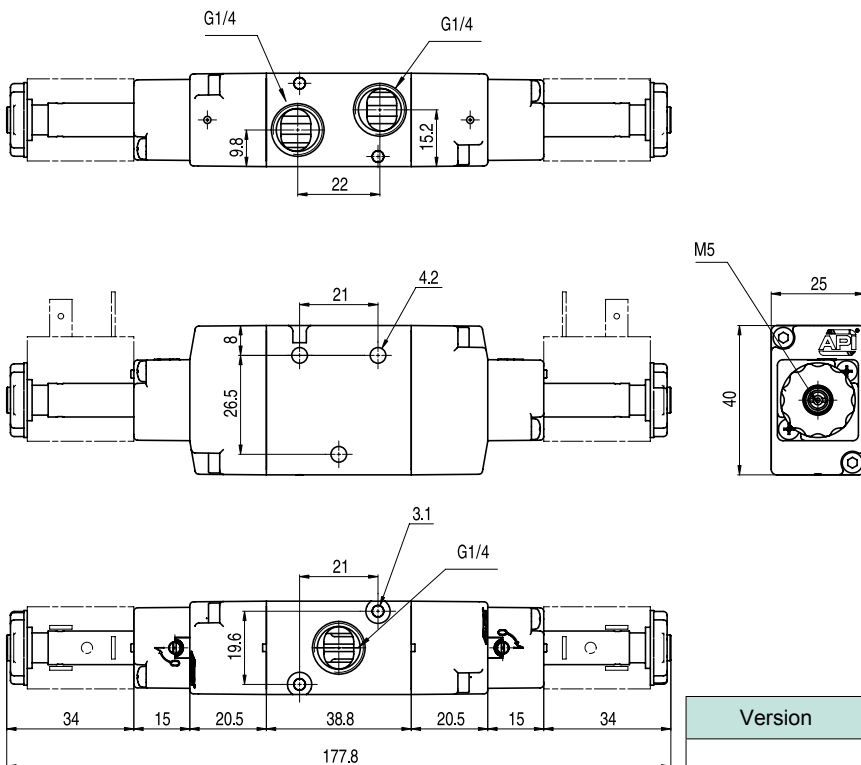
Series	Actuation	Size	Function
A1	E = electrical K = electrical con servopilota	1 = 1/8"	30 = 3/2 NC
		2 = 1/4	31 = 3/2 NO
		32 = 3/2 solenoid/solenoid	
		50 = 5/2 solenoid/spring	
		51 = 5/2 solenoid/solenoid	
		70 = 5/3 CC	
		71 = 5/3 CO	
		72 = 5/3 CP	

Technical data

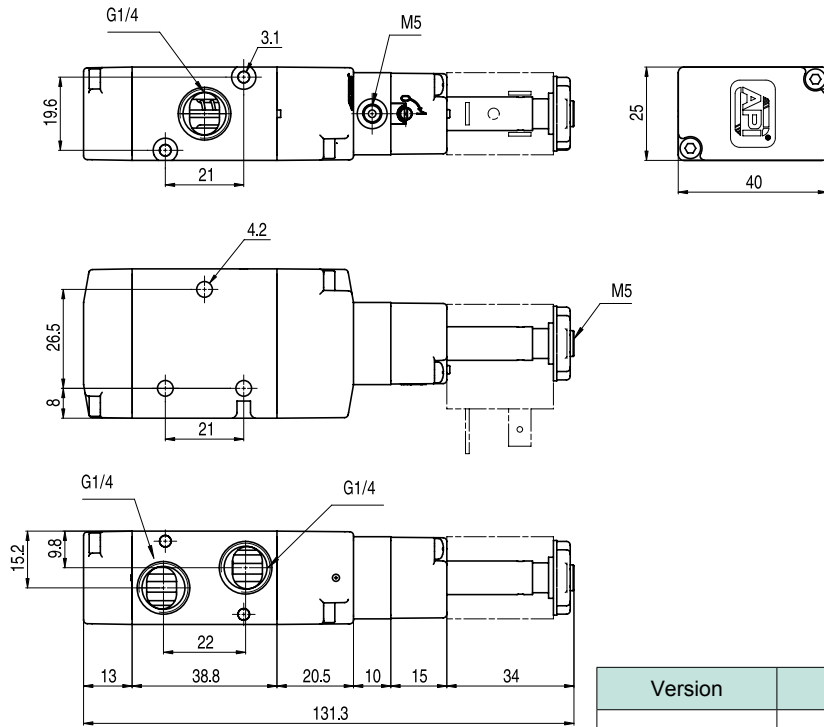
Fluid	Compressed filtered air with or without lubrication. Lubrication, if started, must be continued.		
Pressure range	Monostable: 1,5 ÷ 10 bar	Bistable: 1 ÷ 10 bar	
Temperature range	-10°C ÷ +60°C		
Orifice	8 mm		
Flow	1.100 NI/min at 6 bar with ΔP 1 bar		
Minimum external air pressure	1,5 bar		
Mounting	In any position		
Manual override	Bistable		
Response time (at 6 bar)	solenoid/spring		solenoid/solenoid
	Energising: 45 ms	De-energising: 19 ms	Energising: 21 ms De-energising: 21 ms
Materials	Body:	Anodised aluminium	
	Covers:	Delrin 500	
	Spool:	Hard aluminium anodized	
	Distancers:	Fortron 1140 L4	
	Seals:	Hydrogenated Nitrile Butadiene Rubber (HNBR)	



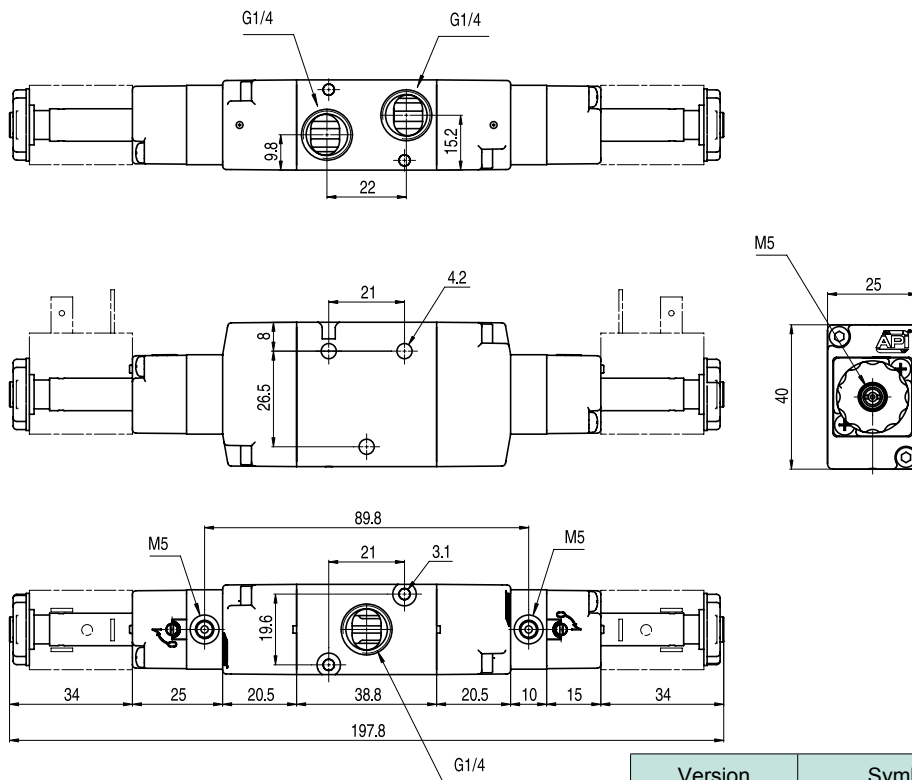
Version	Symbol	Code	Item
3/2 NC		034025	A1E230
3/2 NA		034040	A1E231



Version	Symbol	Code	Item
3/2 solenoid/solenoid		034024	A1E232



Version	Symbol	Code	Item
3/2 NC external air pilot		034039	A1K230



Version	Symbol	Code	Item
3/2 solenoid/solenoid external air pilot		034023	A1K232

Standard executions

Version	Symbol	Code	Item
5/2 solenoid/spring		034111	A1E250
5/2 solenoid/solenoid		034121	A1E251
5/3 with closed centres		034131	A1E270
5/3 with open centres		034133	A1E271
5/3 with pressurised centres		034132	A1E272
5/2 solenoid/spring, external air pilot		034035	A1K250
5/2 solenoid/solenoid external air pilot		034034	A1K251
5/3 with closed centres, external air pilot		034037	A1K270
5/3 with open centres, external air pilot		034038	A1K271
5/3 with pressurised centres external air pilot		034036	A1K272



Series of spool valves, with static seals, high flow, for panel or sub-base mounting.

Coils and connectors are to be ordered separately.

For the coils type ASA12...

see page 2.200.1

For the connectors type A122...

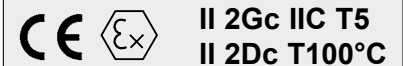
see page 2.210.20

For the sub-bases type A1B2...

see page 2.85.1

Code key

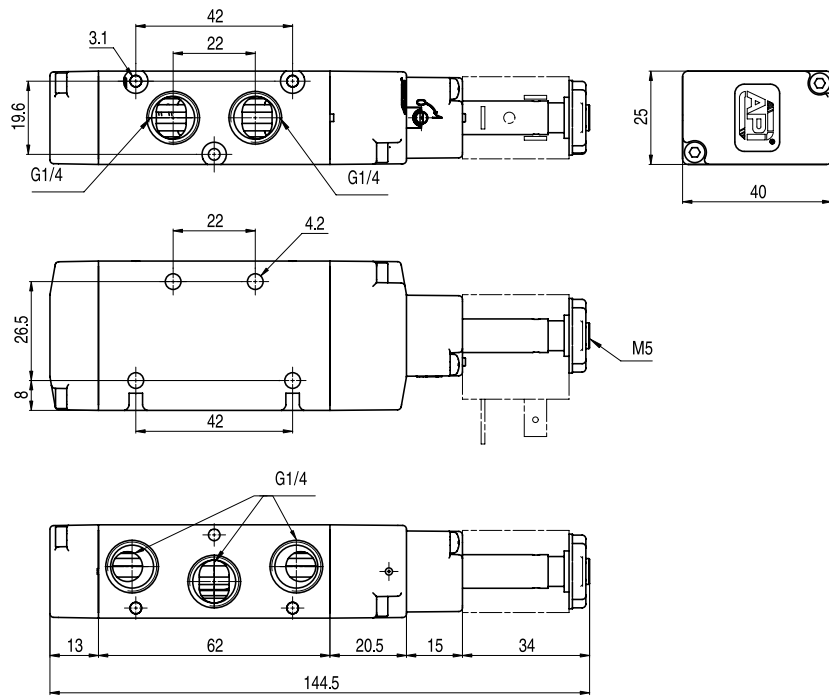
Series	Actuation	Size	Function
A1	E = electrical	1 = 1/8"	30 = 3/2 NC
	K = electrical with external air pilot	2 = 1/4"	31 = 3/2 NO
			32 = 3/2 solenoid/solenoid
			50 = 5/2 solenoid/spring
			51 = 5/2 solenoid/solenoid
			70 = 5/3 CC
			71 = 5/3 CO
			72 = 5/3 CP



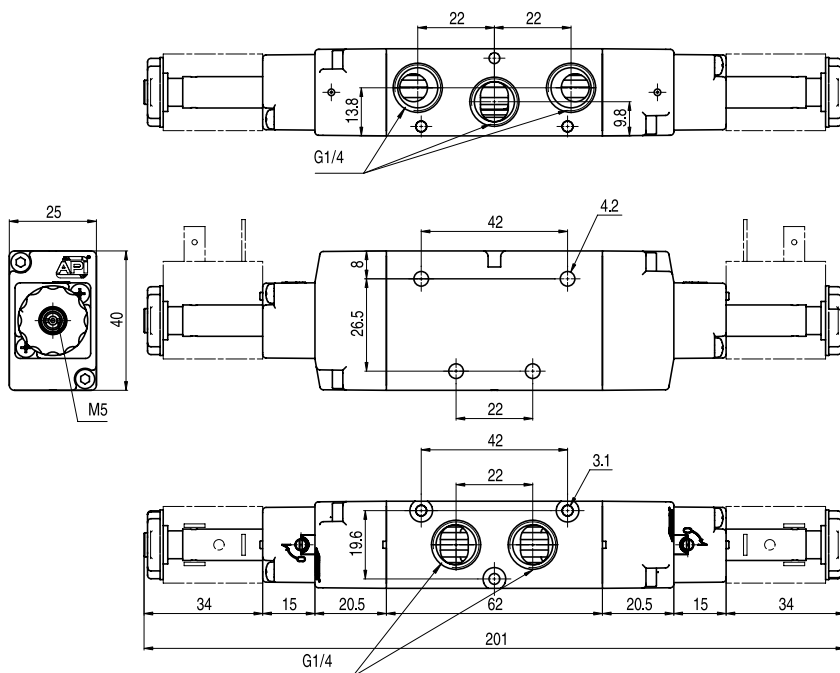
On request, they can be supplied according to 94/9/EC - ATEX

Technical data

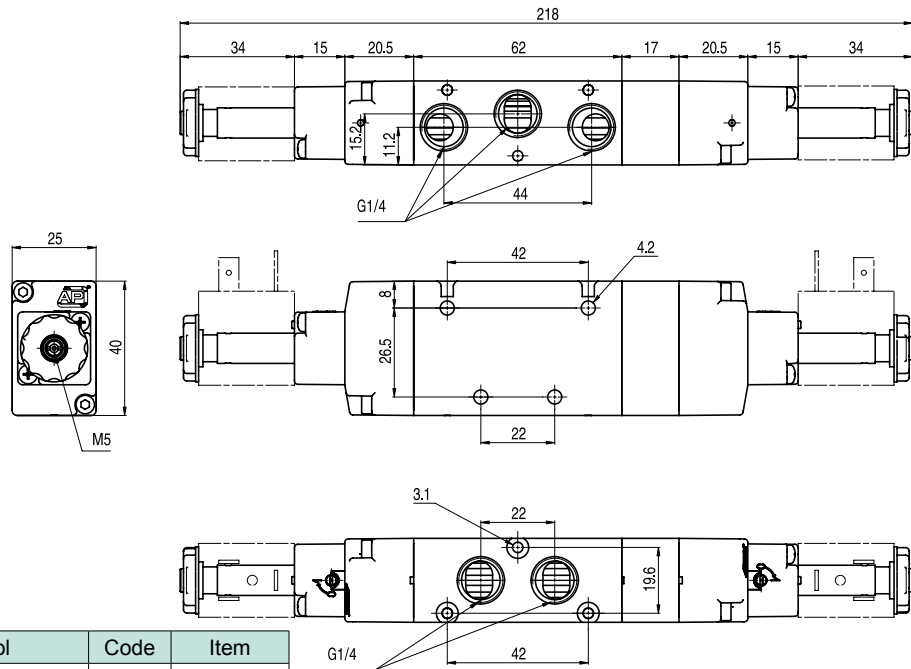
Fluid	Compressed filtered air with or without lubrication. Lubrication, if started, must be continued.		
Pressure range	Monostable: 1,5 ÷ 10 bar	Bistable: 1 ÷ 10 bar	3 position: 2,5 ÷ 10 bar
Temperature range	-10°C ÷ +60°C		
Orifice	8 mm		
Flow	1.100 NI/min at 6 bar with ΔP 1 bar		
Minimum external air pressure	1,5 bar		
Mounting	In any position		
Manual override	Bistable		
Response time (at 6 bar)	solenoid/spring		solenoid/solenoid
	Energising: 45 ms	De-energising: 19 ms	Energising: 21 ms De-energising: 21 ms
Materials	Body:	Anodised aluminium	
	Covers:	Delrin 500	
	Spool:	Hard aluminium anodized	
	Distancers:	Fortron 1140 L4	
	Seals:	Hydrogenated Nitrile Butadiene Rubber (HNBR)	



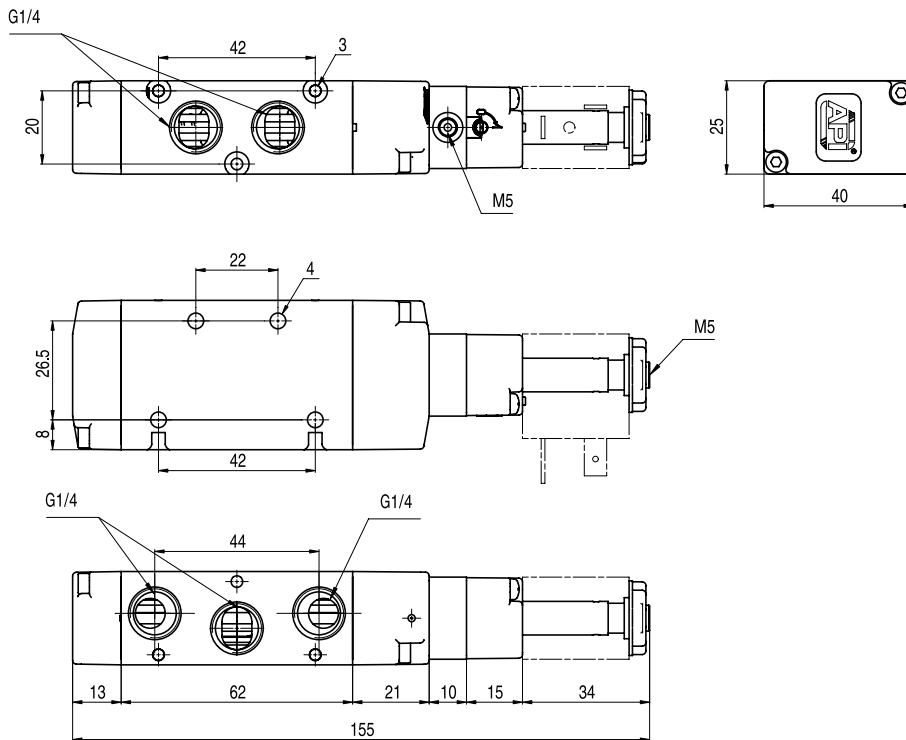
Version	Symbol	Code	Item
5/2 solenoid/spring		034111	A1E250



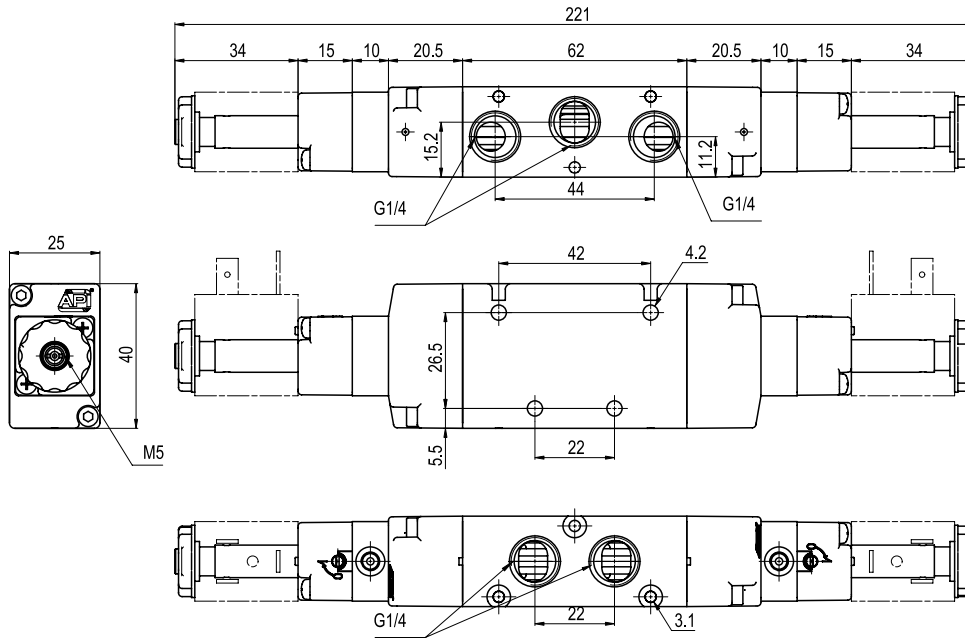
Version	Symbol	Code	Item
5/2 solenoid/solenoid		034121	A1E251



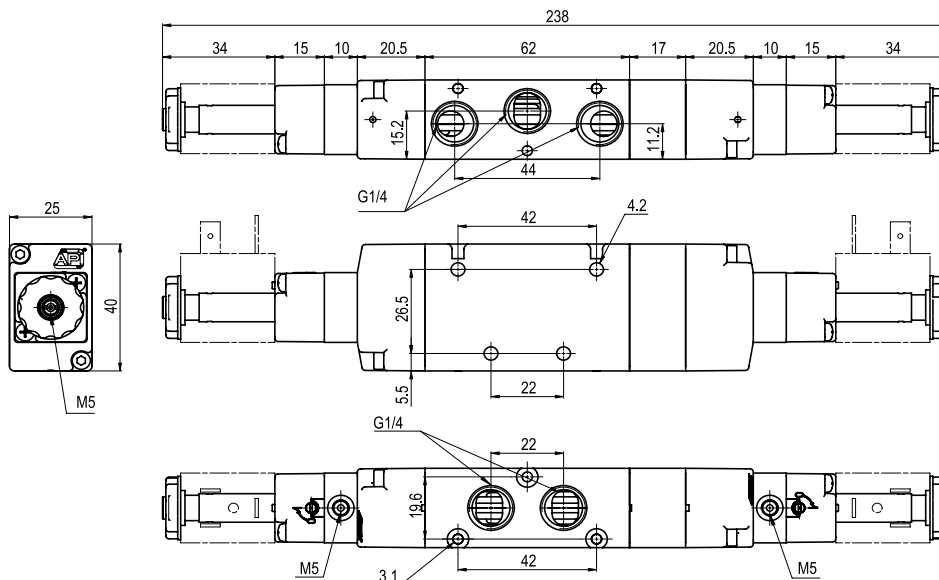
Version	Symbol	Code	Item
5/3 with closed centres		034131	A1E270
5/3 with open centres		034133	A1E271
5/3 with pressurised centres		034132	A1E272



Version	Symbol	Code	Item
5/2 solenoid/spring, external air pilot		034035	A1K250



Version	Symbol	Code	Item
5/2 solenoid/solenoid external air pilot		034034	A1K251



Version	Symbol	Code	Item
5/3 with closed centres, external air pilot		034037	A1K270
5/3 with open centres, external air pilot		034038	A1K271
5/3 with pressurised centres external air pilot		034036	A1K272

Standard executions			
Version	Symbol	Code	Item
5/2 solenoid/spring		034111	A1E250
5/2 solenoid/solenoid		034121	A1E251
5/3 with closed centres		034131	A1E270
5/3 with open centres		034133	A1E271
5/3 with pressurised centres		034132	A1E272
5/2 solenoid/spring, external air pilot		034035	A1K250
5/2 solenoid/solenoid external air pilot		034034	A1K251
5/3 with closed centres, external air pilot		034037	A1K270
5/3 with open centres, external air pilot		034038	A1K271
5/3 with pressurised centres external air pilot		034036	A1K272



Series of spool valves, with static seals, high flow, for panel or sub-base mounting.

Coils and connectors are to be ordered separately.

For the coils type ASA12... see page 2.200.1

For the connectors type A122... see page 2.210.20

For the sub-bases type A1B2... see page 2.85.1

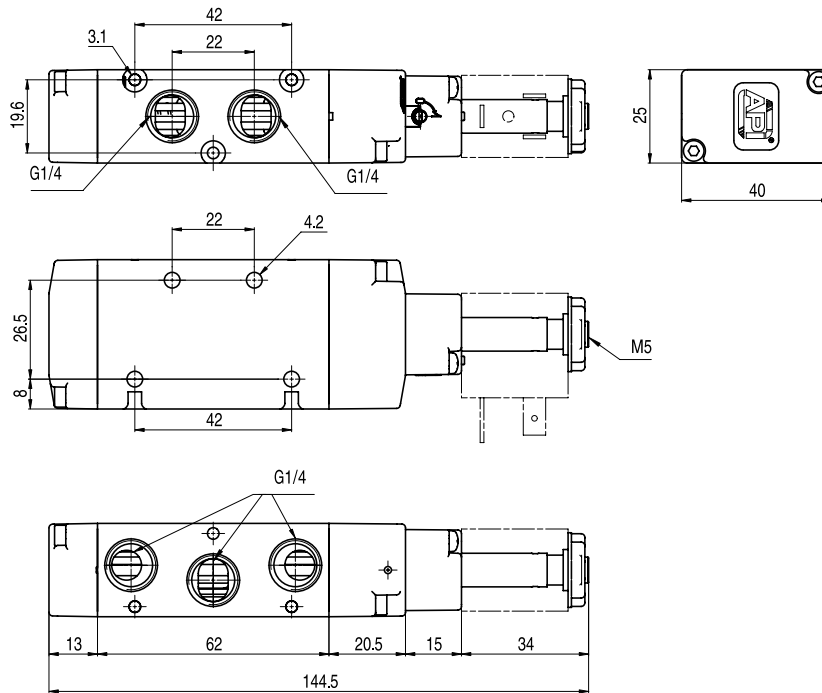
Code key

Series	Actuation	Size	Function
A1	E = electrical K = electrical with external air pilot	1 = 1/8"	30 = 3/2 NC
		2 = 1/4"	31 = 3/2 NO
			32 = 3/2 solenoid/solenoid
			50 = 5/2 solenoid/spring
			51 = 5/2 solenoid/solenoid
			70 = 5/3 CC
			71 = 5/3 CO
			72 = 5/3 CP

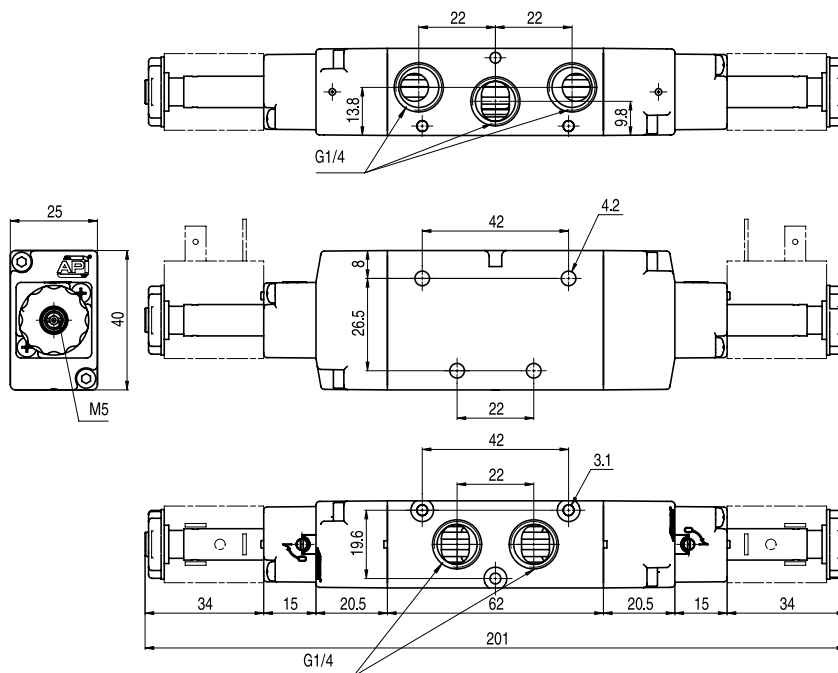


On request, they can be supplied according to 94/9/EC - ATEX

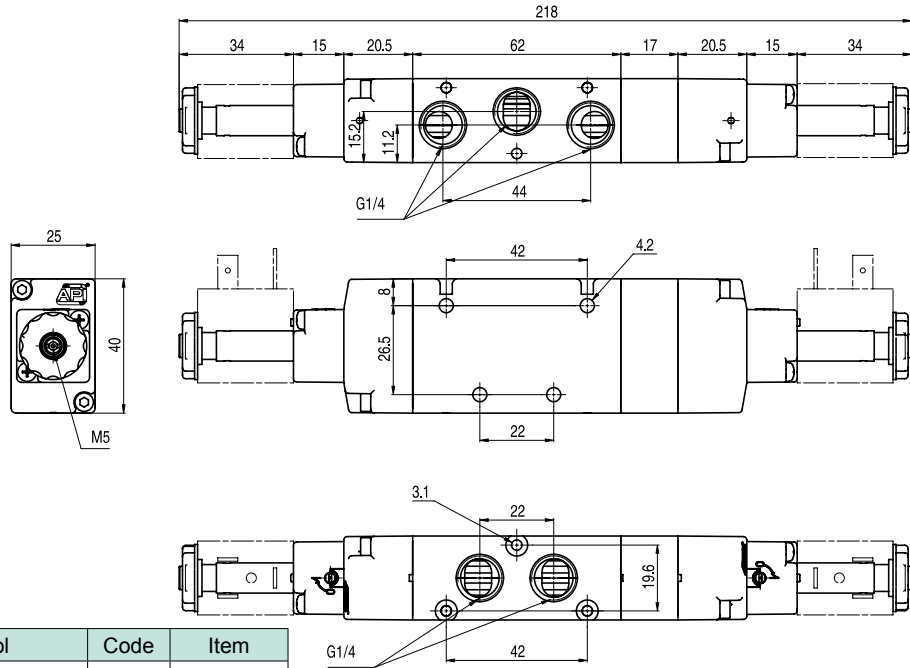
Technical data			
Fluid	Compressed filtered air with or without lubrication. Lubrication, if started, must be continued.		
Pressure range	Monostable: 1,5 ÷ 10 bar	Bistable: 1 ÷ 10 bar	3 position: 2,5 ÷ 10 bar
Temperature range	-10°C ÷ +60°C		
Orifice	8 mm		
Flow	1.100 NI/min at 6 bar with ΔP 1 bar		
Minimum external air pressure	1,5 bar		
Mounting	In any position		
Manual override	Bistable		
Response time (at 6 bar)	solenoid/spring		solenoid/solenoid
	Energising: 45 ms	De-energising: 19 ms	Energising: 21 ms De-energising: 21 ms
Materials	Body:	Anodised aluminium	
	Covers:	Delrin 500	
	Spool:	Hard aluminium anodized	
	Distancers:	Fortron 1140 L4	
	Seals:	Hydrogenated Nitrile Butadiene Rubber (HNBR)	



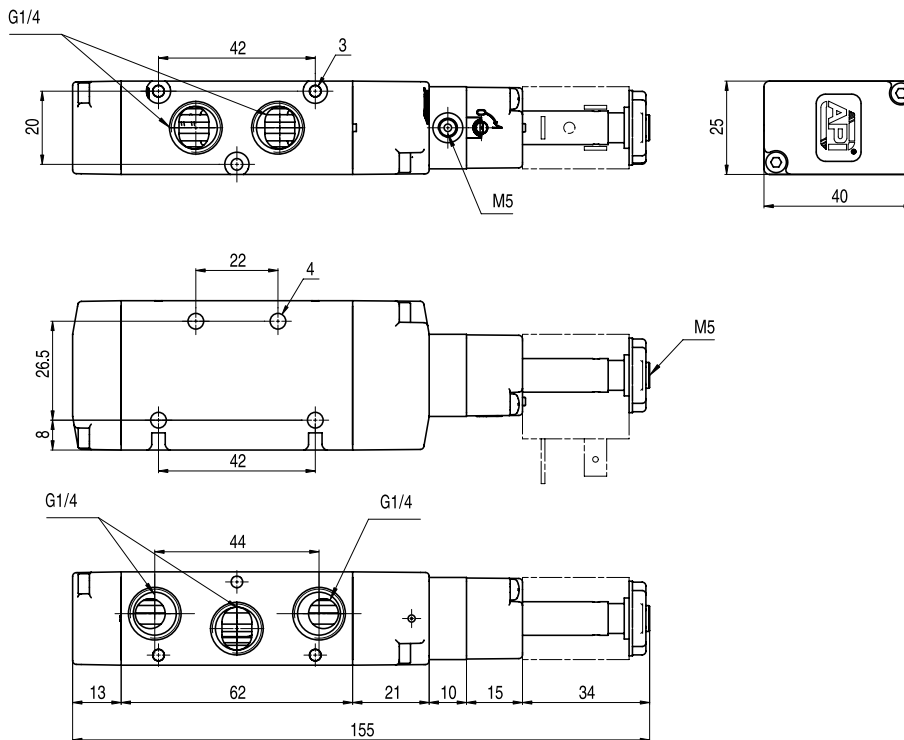
Version	Symbol	Code	Item
5/2 solenoid/spring		034111	A1E250



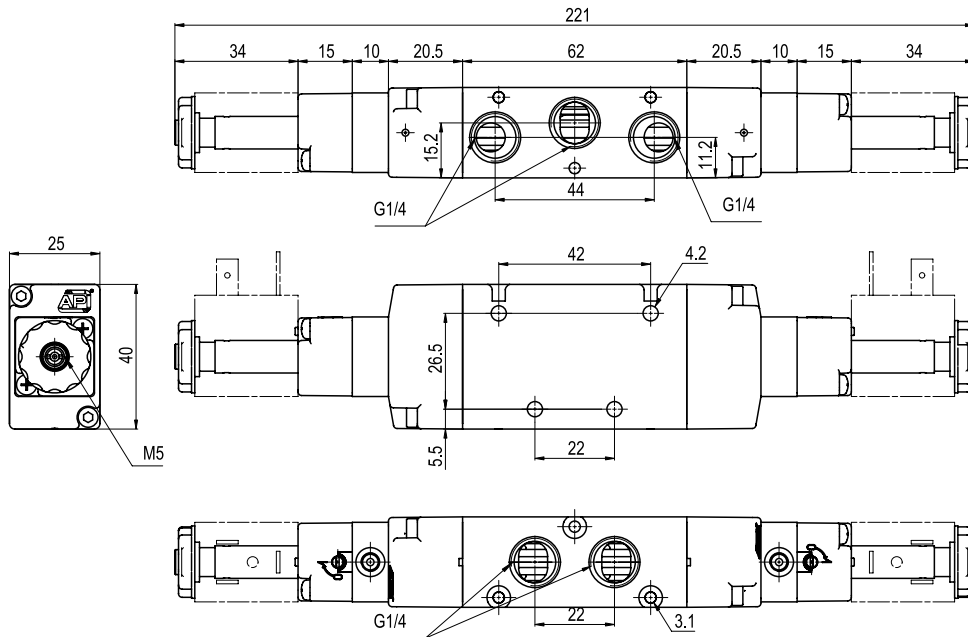
Version	Symbol	Code	Item
5/2 solenoid/solenoid		034121	A1E251



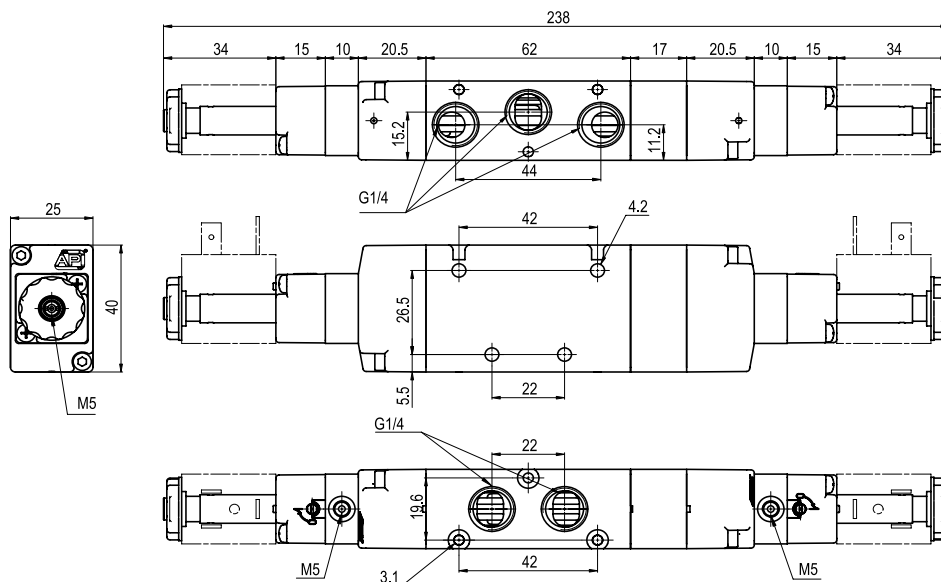
Version	Symbol	Code	Item
5/3 with closed centres		034131	A1E270
5/3 with open centres		034133	A1E271
5/3 with pressurised centres		034132	A1E272



Version	Symbol	Code	Item
5/2 solenoid/spring, external air pilot		034035	A1K250



Version	Symbol	Code	Item
5/2 solenoid/solenoid external air pilot		034034	A1K251



Version	Symbol	Code	Item
5/3 with closed centres, external air pilot		034037	A1K270
5/3 with open centres, external air pilot		034038	A1K271
5/3 with pressurised centres external air pilot		034036	A1K272

Standard executions			
Version	Symbol	Code	Item
3/2 NC		034027	A1P230
3/2 NO		034054	A1P231
3/2 pilot/pilot		034026	A1P232
3/2 pilot/pilot differential		034055	A1P233



Series of spool valves, with static seals, high flow, for panel or sub-base mounting.
For the sub-bases type A1B2... see page 2.85.1

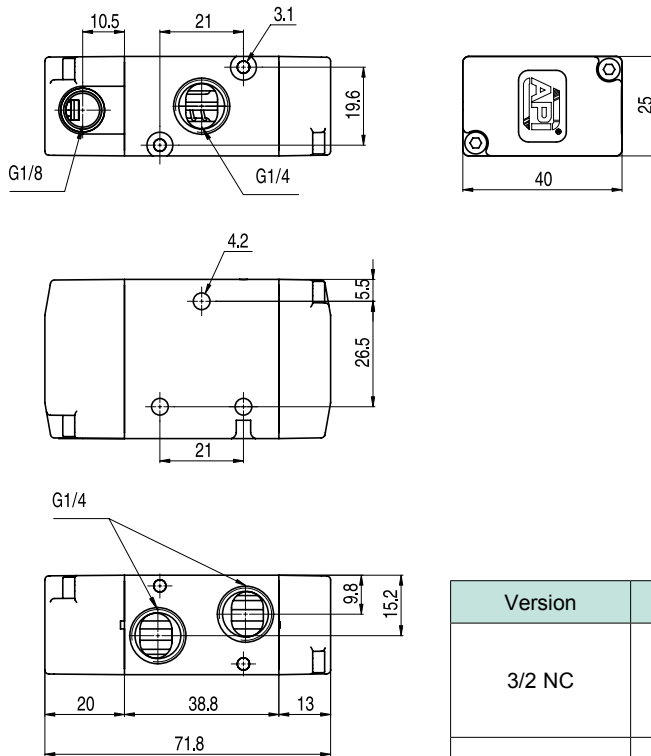


On request, they can be supplied according to 94/9/EC - ATEX

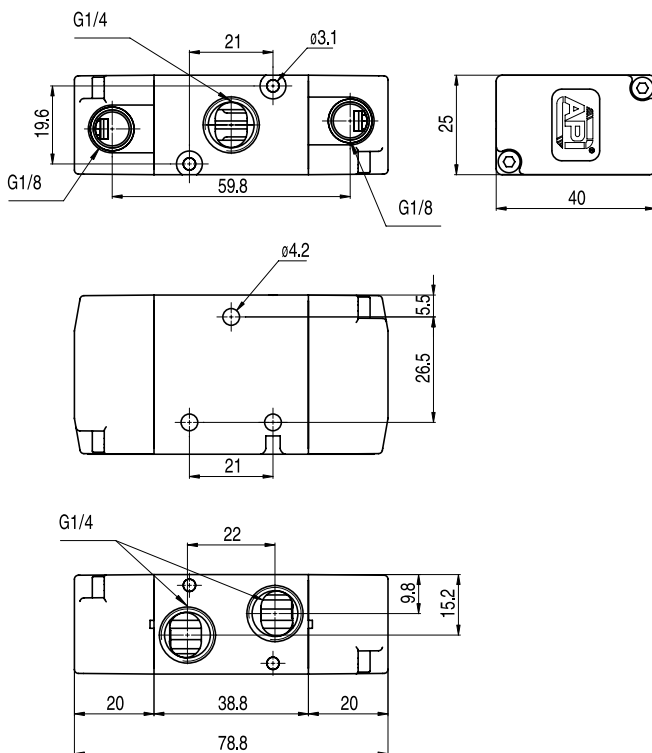
Code key

Series	Actuation	Size	Function
A1	P = pneumatic	1 = 1/8" 2 = 1/4"	30 = 3/2 NC 31 = 3/2 NO 32 = 3/2 pilot/pilot 33 = 3/2 pilot/pilot differential 50 = 5/2 pilot/spring 51 = 5/2 pilot/pilot 52 = 5/2 pilot/pilot differential 70 = 5/3 CC 71 = 5/3 CO 72 = 5/3 CP

Technical data	
Fluid	Compressed filtered air with or without lubrication. Lubrication, if started, must be continued.
Pressure range	Monostable: 1,5 ÷ 10 bar Bistable: 1 ÷ 10 bar
Temperature range	-10°C ÷ +60°C
Orifice	8 mm
Flow	1.100 NI/min at 6 bar with ΔP 1 bar
Minimum piloting pressure	1,5 bar
Manual override	Bistable
Materials	Body: Anodised aluminium Covers: Delrin 500 Spool: Hard aluminium anodized Distancers: Fortron 1140 L4 Seals: Hydrogenated Nitrile Butadiene Rubber (HNBR)



Version	Symbol	Code	Item
3/2 NC		034027	A1P230
3/2 NA		034054	A1P231



Version	Symbol	Code	Item
3/2 pilot/pilot		034026	A1P232
3/2 pilot/pilot differential		034055	A1P233

Standard executions		
Version	Code	Item
2 positions	034141	A1B202
3 positions	034142	A1B203
4 positions	034143	A1B204
5 positions	034144	A1B205
6 positions	034145	A1B206
7 positions	034146	A1B207
8 positions	034147	A1B208
9 positions	034148	A1B209
10 positions	034149	A1B210
blanking plate	034150	A1C2
plug	034151	A1T2



Multi-position sub-bases with fixed position, for valves series A1, 3 and 5 ways. 2 fixing screws for each position and the relevant seals are included in the base kit. Spare positions can be blanked with plate.

Material:	Profiled anodised aluminium
-----------	-----------------------------

Code key

Series	Product	Size	N° positions
A1	B = base C = blanking plate T = plug	1 = 1/8" 2 = 1/4"	from 02 to 10

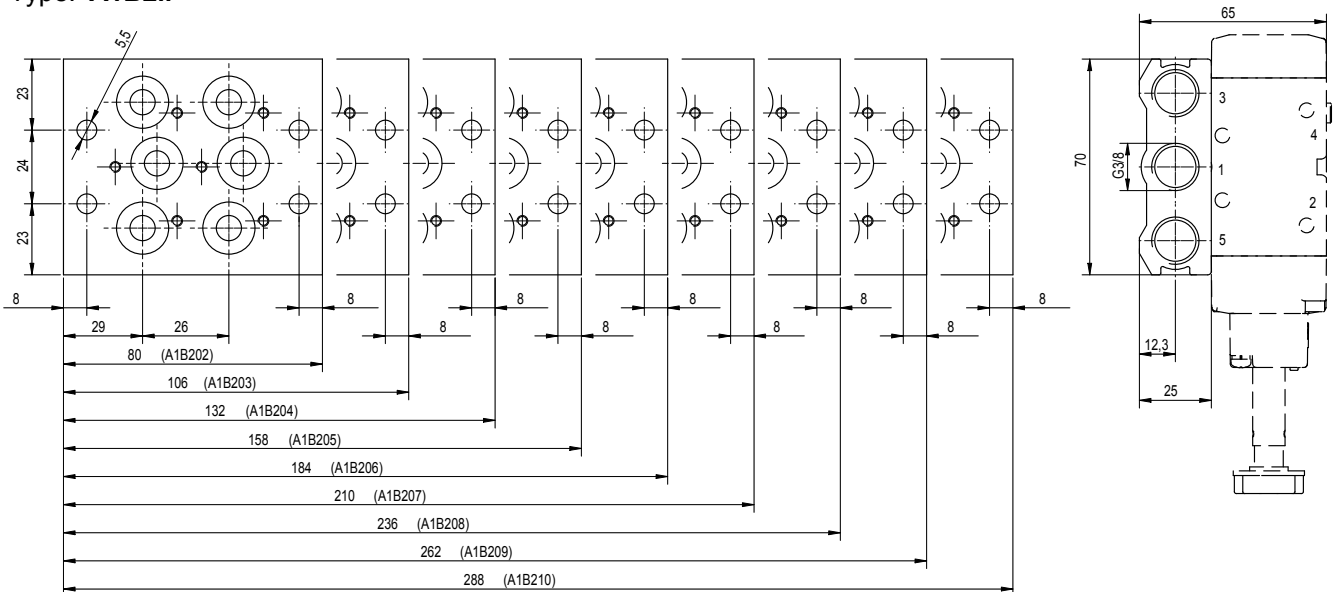


II 2Gc IIC T5
II 2Dc T100°C

On request, they can be supplied according to 94/9/EC - **ATEX**

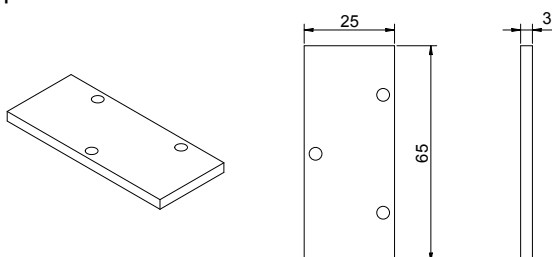
Multi position sub-base

Type: **A1B2..**



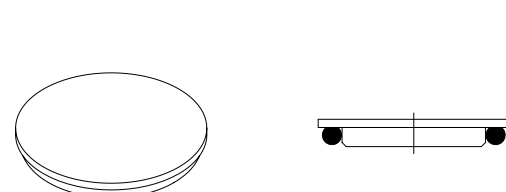
Blanking plate

Type: **A1C2**



Plug

Type: **A1T2**



Standard executions

Version	Symbol	Code	Item
3/2 NC solenoid/spring		034059	A1NE230
3/2 solenoid/solenoid		034060	A1NE232
5/2 solenoid/spring		034057	A1NE250
5/2 solenoid/solenoid		034058	A1NE251



II 2Gc IIC T5
II 2Dc T100°C

On request, they can be supplied according to 94/9/EC - ATEX



Series of spool valves, with static seals, high flow, for mounting on NAMUR interface.

Coils and connectors are to be ordered separately.

For the coils type ASA12...

see page 2.200.1

For the coils type ASA2... (1)

see from page. 2.200.10

For the connectors type A122...

see page 2.210.20

Code key

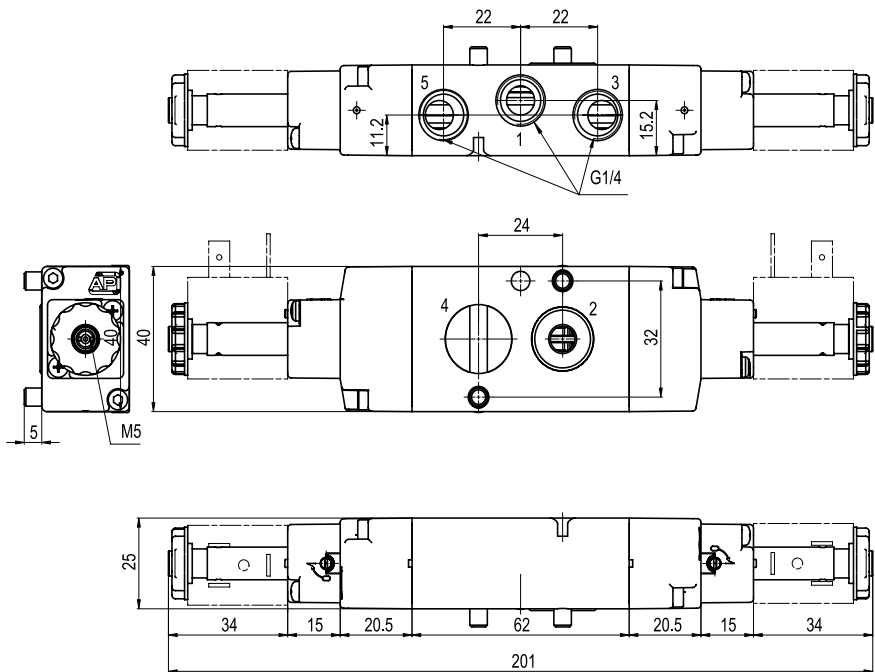
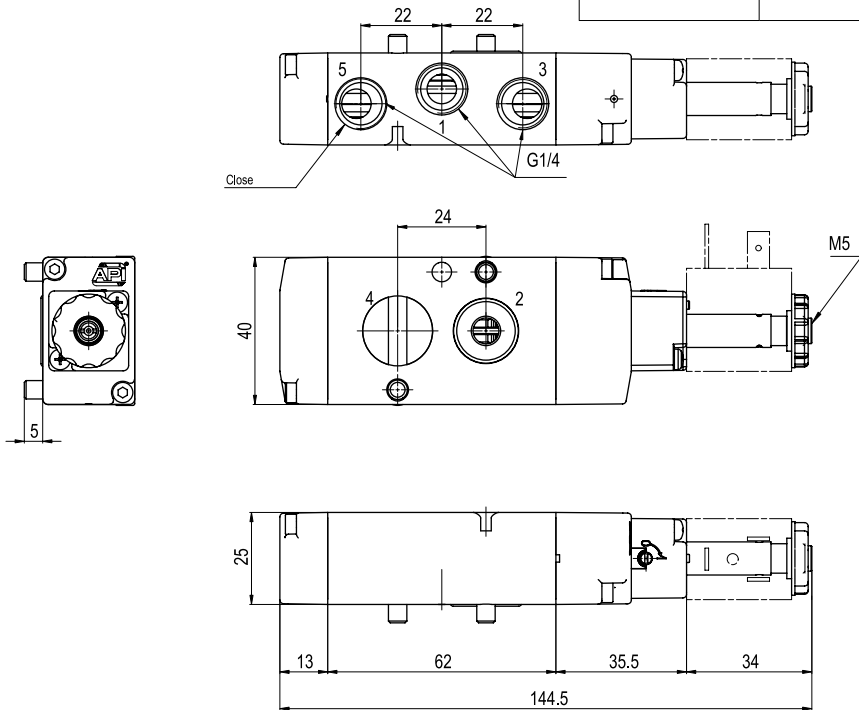
Series	Actuation	Size	Function
A1	NE= NAMUR electrical	2 = 1/4"	30 = 3/2 NC 32 = 3/2 solenoid/solenoid 50 = 5/2 solenoid/spring 51 = 5/2 solenoid/solenoid

Note (1)	Code	Item
For assembling coils type ASA2... order plate PSN...	034203	PSN 3/2
	034166	PSN 5/2

Technical data

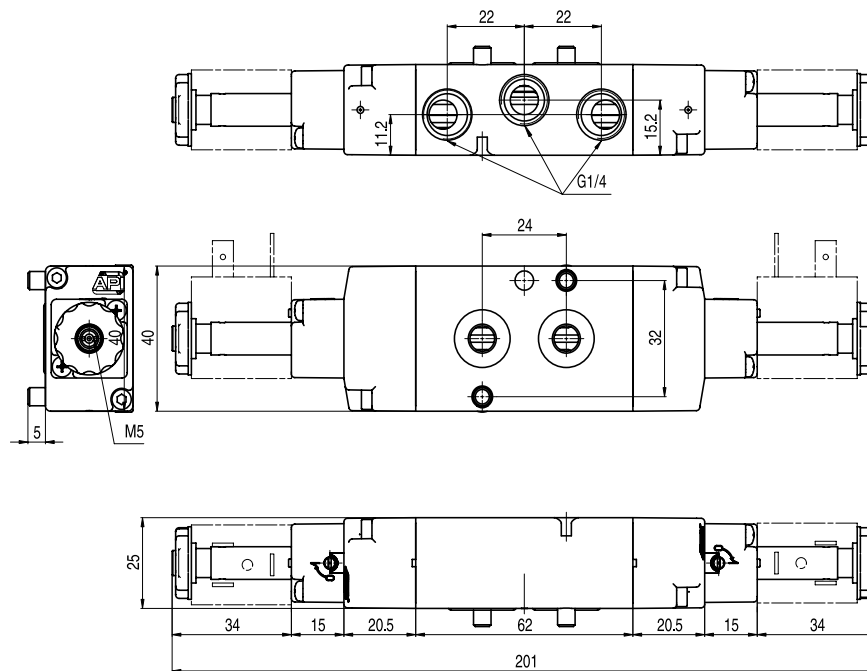
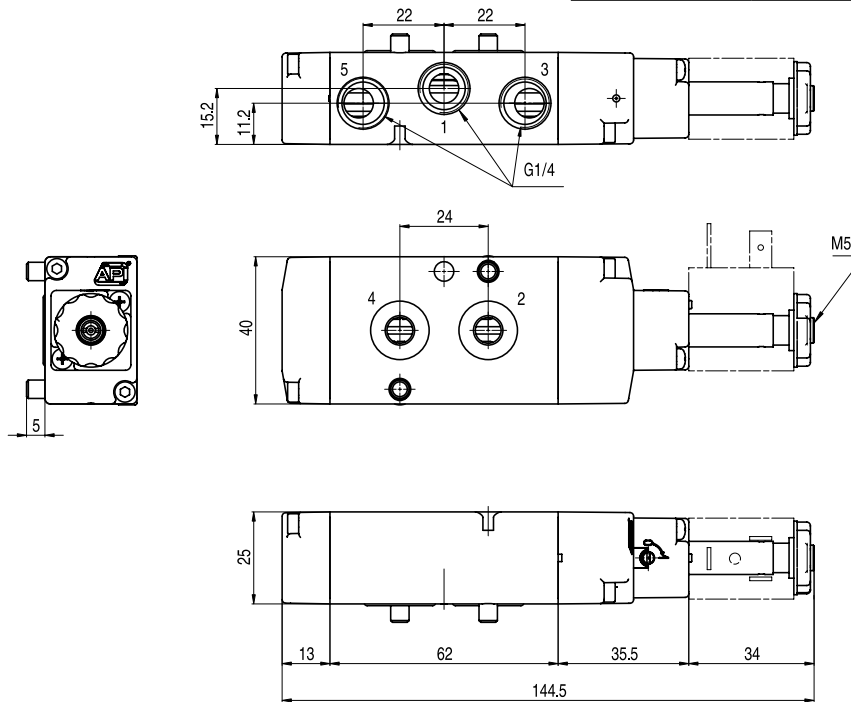
Fluid	Compressed filtered air with or without lubrication. Lubrication, if started, must be continued.		
Pressure range	1 ÷ 10 bar		
Temperature range	-10°C ÷ +60°C		
Orifice	7 mm		
Flow	1.000 NI/min at 6 bar with ΔP 1 bar		
Minimum piloting pressure	1,5 bar	Minimum external air pressure: 1,5 bar	
Mounting	In any position		
Manual override	Bistable		
Response time (at 6 bar)	solenoid/spring		solenoid/solenoid
	Energising: 45 ms	De-energising: 19 ms	Energising: 21 ms De-energising: 21 ms
Materials	Body:	Die-cast painted aluminium	
	Covers:	Delrin 500	
	Spool:	Hard aluminium anodized	
	Distancers:	Fortron 1140 L4	
	Seals:	Hydrogenated Nitrile Butadiene Rubber (HNBR)	

Version	Symbol	Code	Item
3/2 NC solenoid/spring		034059	A1NE230



Version	Symbol	Code	Item
3/2 solenoid/solenoid		034060	A1NE232

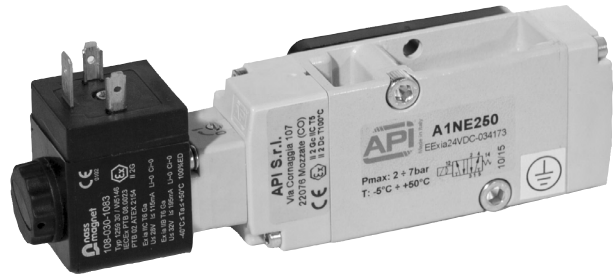
Version	Symbol	Code	Item
5/2 solenoid/spring		034057	A1NE250



Version	Symbol	Code	Item
5/2 solenoid/solenoid		034058	A1NE251

Standard executions			
Version	Symbol	Code	Item
3/2 NC solenoid/spring		034171	A1NE230/ EExia24VDC
3/2 solenoid/solenoid		034199	A1NE232/ EExia24VDC
5/2 solenoid/spring		034173	A1NE250/ EExia24VDC
5/2 solenoid/solenoid		034200	A1NE251/ EExia24VDC

New



Supplied according Directive 94/9/EC - Encapsulated coil

Series of spool valves, with static seals, high flow, for mounting on NAMUR interface and conforming to 94/9/EC Directive, certified:

II 2Gc IIC T5
II 2Dc T100°C

Low consumption solenoid operator, conforming to 94/9/EC Directive, certified:

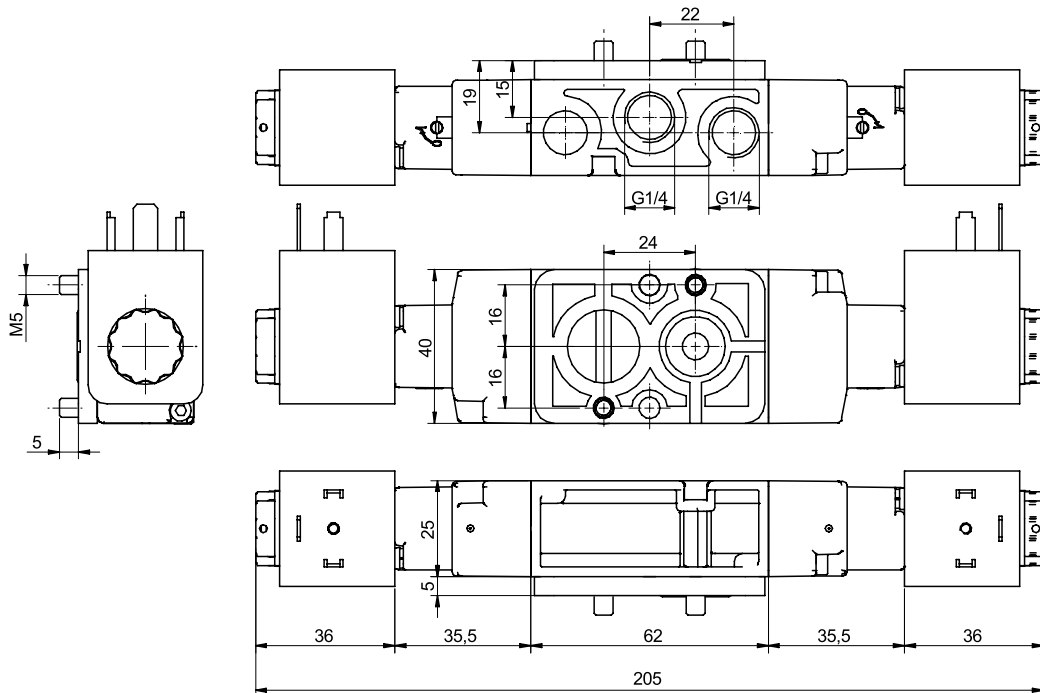
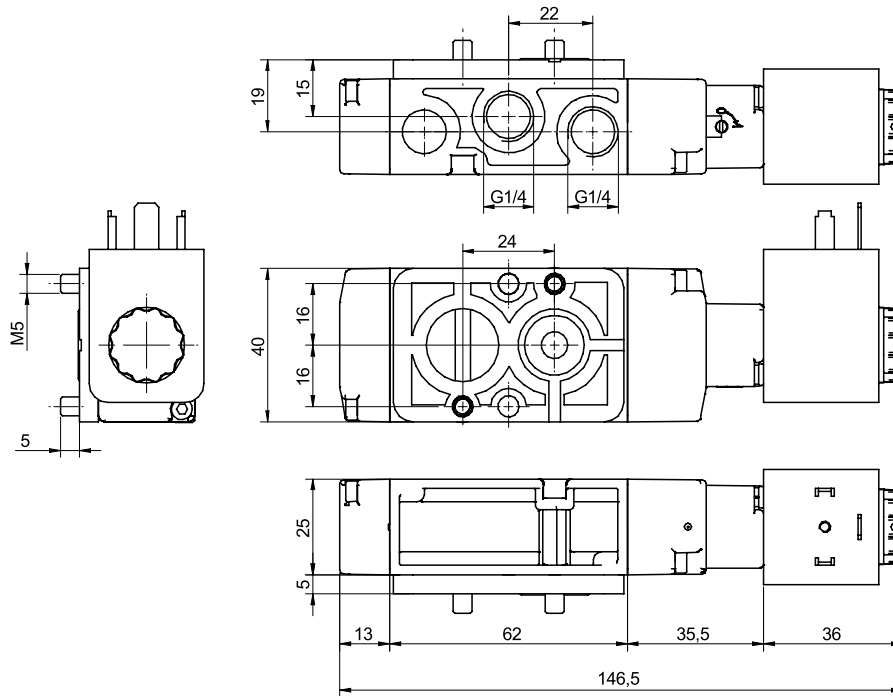
II 2G EEx ia IIC T6 - Intrinsic Safety

Code key

Series	Actuation	Size	Function	Electropilot
A1	NE= NAMUR	2 = 1/4"	30 = 3/2 NC 32 = 3/2 solenoid/solenoid 52 = 3/2 solenoid/spring 32 = 3/2 solenoid/solenoid 32 = 3/2 solenoid/solenoid	EExia24VDC

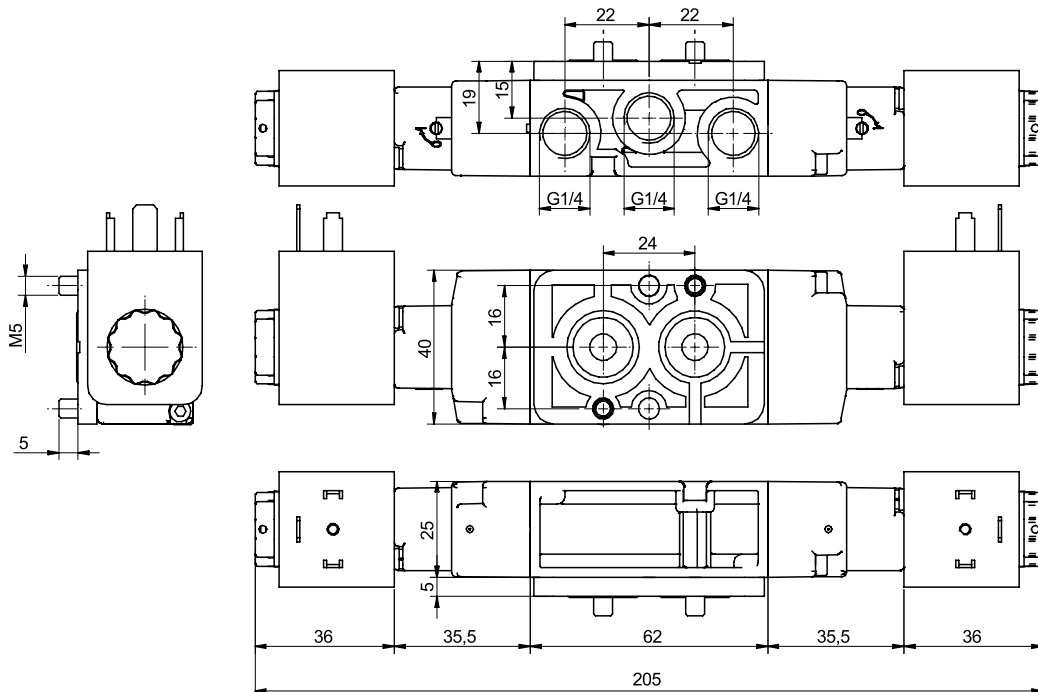
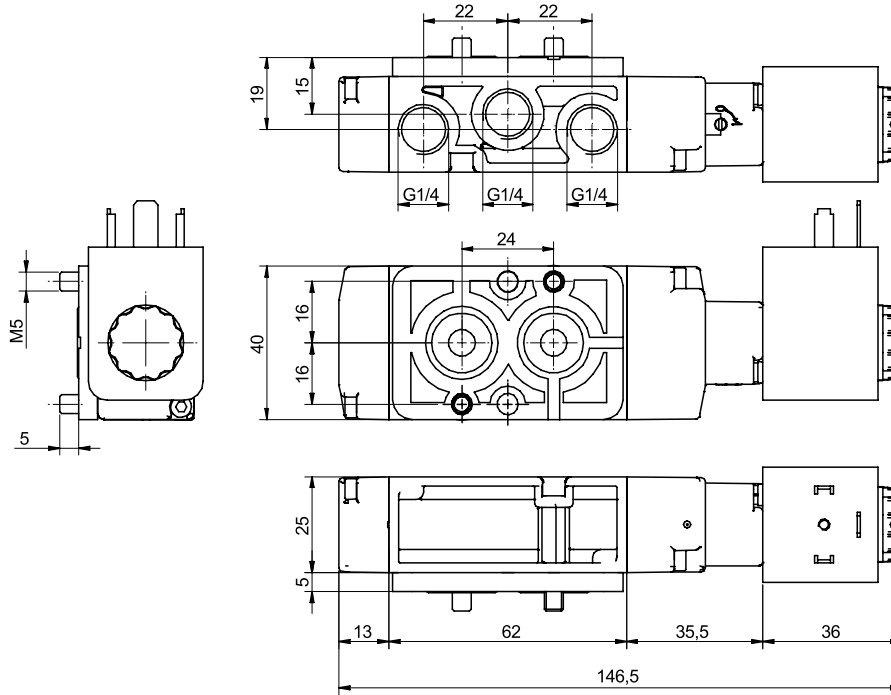
Technical data	
Fluid	Compressed filtered air with or without lubrication. Lubrication, if started, must be continued.
Pressure range	2 ÷ 7 bar with bobina 24VDC EEx ia
Temperature range	-10°C ÷ +50°C
Orifice	7 mm
Flow	1.000 NI/min at 6 bar with ΔP 1 bar
Mounting	In any position
Manual override	Two stable positions
Electrical characteristic	21.6 ÷ 28 VDC
Admissible maximum	32V DC 195mA 1.6W
Duty cycle	100% ED
Materials	Body: Die-cast painted aluminium Covers: Delrin 500 Spool: Hard aluminium anodized Distancers: Fortron 1140 L4 Seals: Hydrogenated Nitrile Butadiene Rubber (HNBR) Coil: Thermoset Resin Spacer: Plastic

Version	Symbol	Code	Item
3/2 NC solenoid/spring		034171	A1NE230/ EExia24VDC



Version	Symbol	Code	Item
3/2 solenoid/solenoid		034199	A1NE232/ EExia24VDC

Version	Symbol	Code	Item
5/2 solenoid/spring		034173	A1NE250/ EExia24VDC

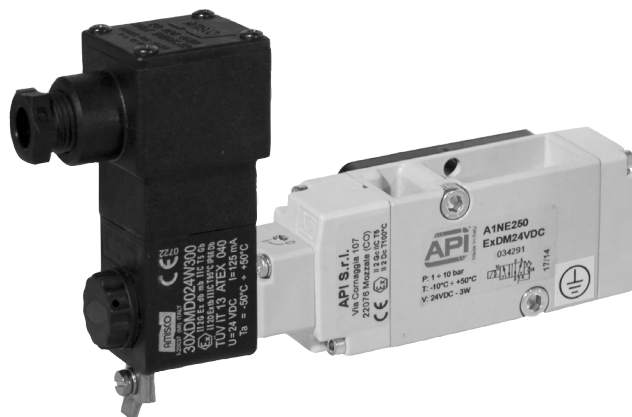


Version	Symbol	Code	Item
5/2 solenoid/solenoid		034200	A1NE251/ EExia24VDC

Standard executions			
Version	Symbol	Code	Item
3/2 NC solenoid/spring		034289	A1NE230/ExDM24VDC
3/2 solenoid/solenoid		034290	A1NE232/ExDM24VDC
5/2 solenoid/spring		034291	A1NE250/ExDM24VDC
5/2 solenoid/solenoid		034292	A1NE251/ExDM24VDC

Supplied according Directive 94/9/EC - Encapsulated coil

New



Series of spool valves, with static seals, high flow, for mounting on NAMUR interface and conforming to 94/9/EC Directive, certified:

II 2Gc IIC T5
II 2Dc T100°C

Solenoid operator with a special coil for pneumatic application in potentially explosive ambient (group II). The protection is assured by a thermal fuse that, in case of damage, disconnects the coil from power.

Solenoid system is conforming to 94/9/EC Directive, certified::

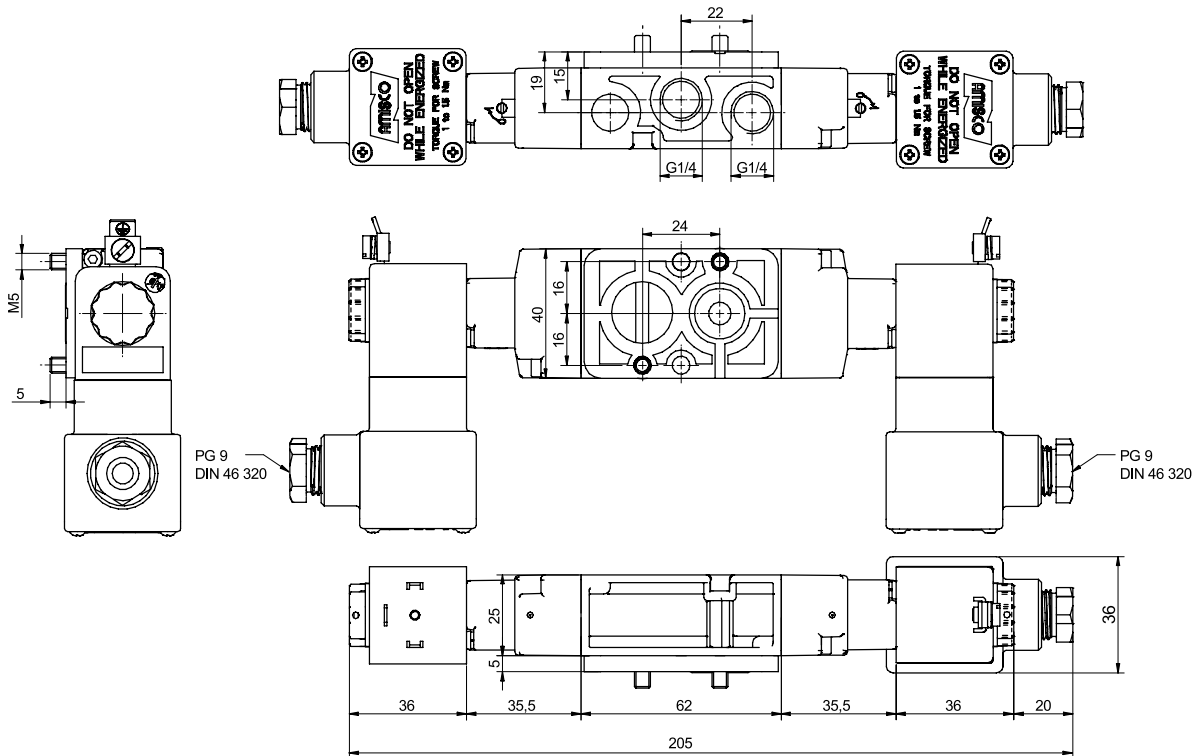
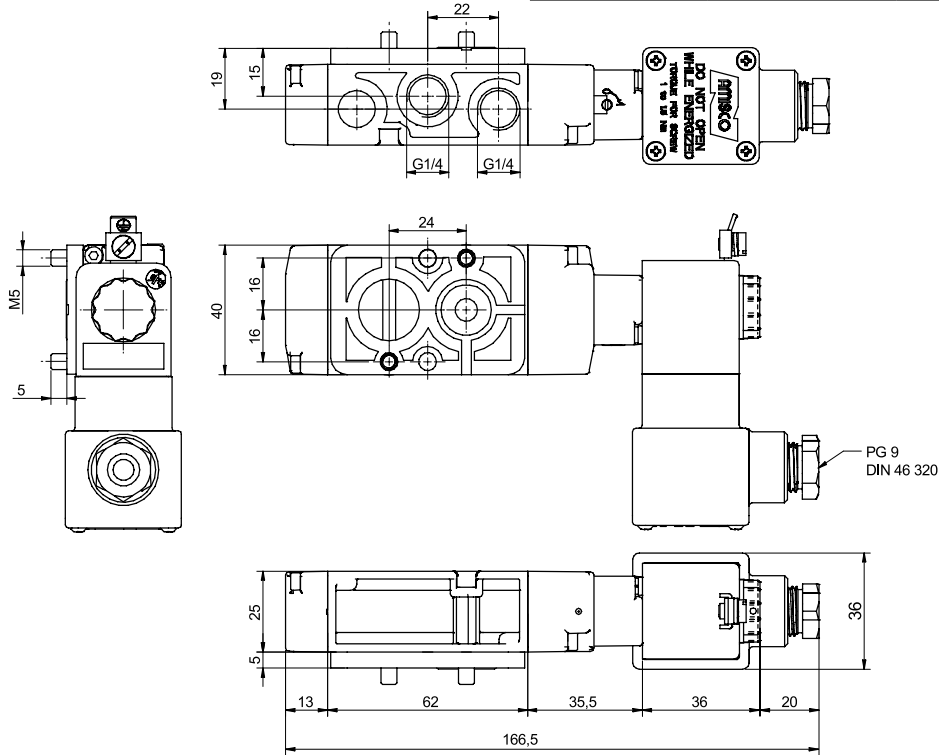
II 2G Ex db mb IIC Tx Gb X
II 2D Ex tb IIIC Tx°C IP66 DbX

Code key

Series	Actuation	Size	Function	Electropilot
A1	NE= NAMUR	2 = 1/4"	30 = 3/2 NC 32 = 3/2 solenoid/solenoid 52 = 3/2 solenoid/spring 32 = 3/2 solenoid/solenoid	ExDM24VDC

Technical data															
Fluid	Compressed filtered air with or without lubrication. Lubrication, if started, must be continued.														
Pressure range	1 ÷ 10 bar														
Temperature range	-10°C ÷ +50°C														
Orifice	7 mm														
Flow	1.000 NI/min at 6 bar with ΔP 1 bar														
Mounting	In any position														
Manual override	Two stable positions														
Caratteristiche elettriche	24 VDC 3 W														
Voltaggio massimo ammissibile	125 mA														
Duty cycle	100% ED														
Materials	<table border="0"> <tr> <td>Body:</td> <td>Die-cast painted aluminium</td> </tr> <tr> <td>Covers:</td> <td>Delrin 500</td> </tr> <tr> <td>Spool:</td> <td>Hard aluminium anodized</td> </tr> <tr> <td>Distancers:</td> <td>Fortron 1140 L4</td> </tr> <tr> <td>Seals:</td> <td>Hydrogenated Nitrile Butadiene Rubber (HNBR)</td> </tr> <tr> <td>Coil and connector:</td> <td>Thermoset Resin</td> </tr> <tr> <td>Spacer:</td> <td>Plastic</td> </tr> </table>	Body:	Die-cast painted aluminium	Covers:	Delrin 500	Spool:	Hard aluminium anodized	Distancers:	Fortron 1140 L4	Seals:	Hydrogenated Nitrile Butadiene Rubber (HNBR)	Coil and connector:	Thermoset Resin	Spacer:	Plastic
Body:	Die-cast painted aluminium														
Covers:	Delrin 500														
Spool:	Hard aluminium anodized														
Distancers:	Fortron 1140 L4														
Seals:	Hydrogenated Nitrile Butadiene Rubber (HNBR)														
Coil and connector:	Thermoset Resin														
Spacer:	Plastic														

Version	Symbol	Code	Item
3/2 NC solenoid/spring		034289	A1NE230/ExDM24VDC

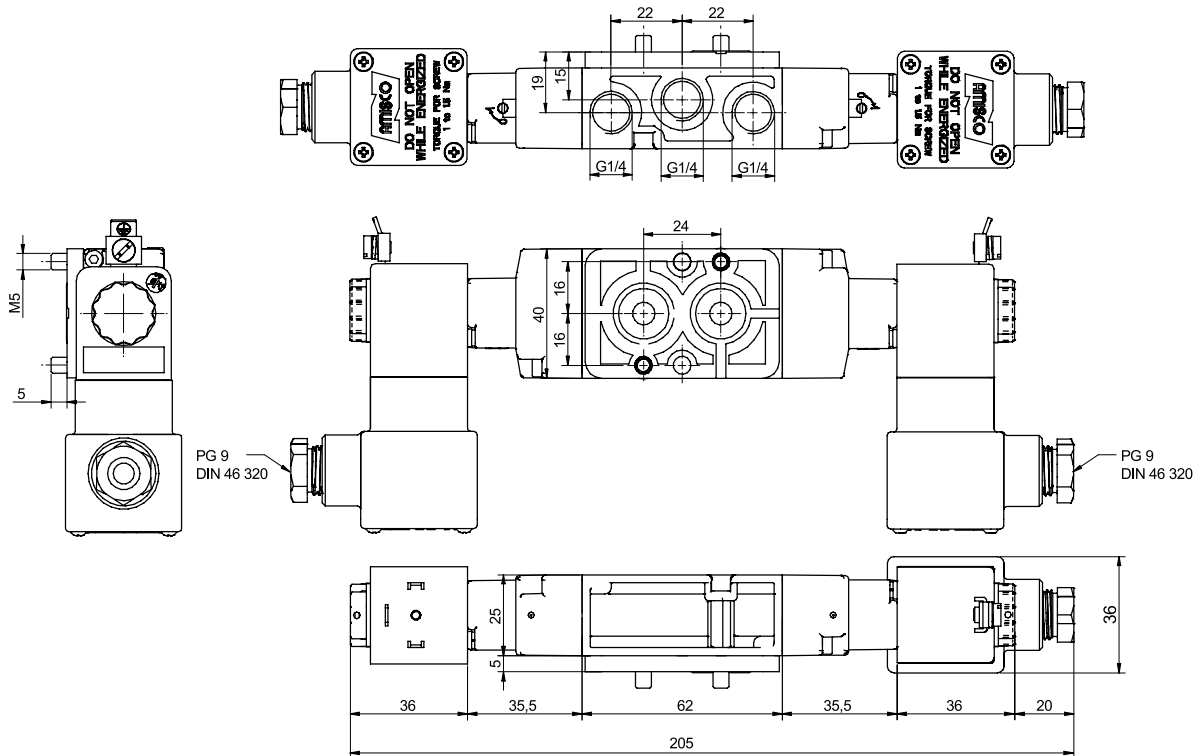
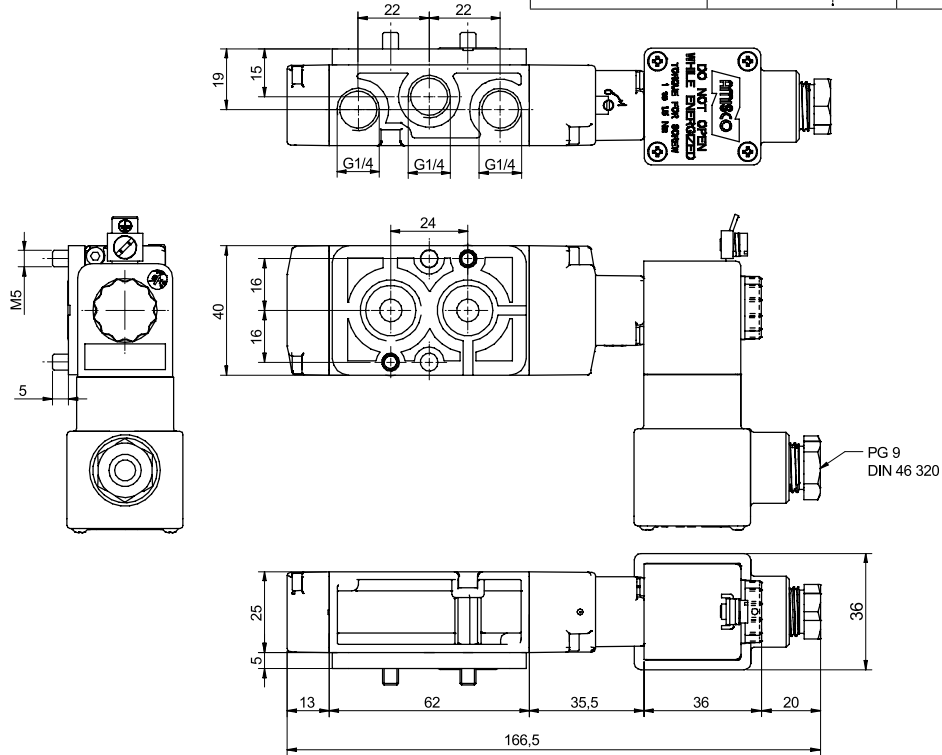


Version	Symbol	Code	Item
3/2 NC solenoid/solenoid		034290	A1NE232/ExDM24VDC

Valves series A1- Encapsulated coil ExDM

1/4", 3/2 - 5/2, NAMUR interface, electrically operated ExDM

Version	Symbol	Code	Item
5/2 NC solenoid/spring		034291	A1NE250/ ExDM24VDC



Version	Symbol	Code	Item
5/2 NC solenoid/solenoid		034292	A1NE251/ ExDM24VDC

Standard executions

Version	Symbol	Code	Item
3/2 NC		034113	A1E430
3/2 NA		034122	A1E431
3/2 solenoid/solenoid		034123	A1E432
3/2 NC external air pilot		034137	A1K430
3/2 solenoid/solenoid external air pilot		034158	A1K432



Series of spool valves, with static seals, high flow, for panel mounting.

Coils and connectors are to be ordered separately.

For the coils type ASA12.../ASA2...

see page 2.200.1

For the connectors type A122...

see page 2.210.20



II 2Gc IIC T5
II 2Dc T100°C

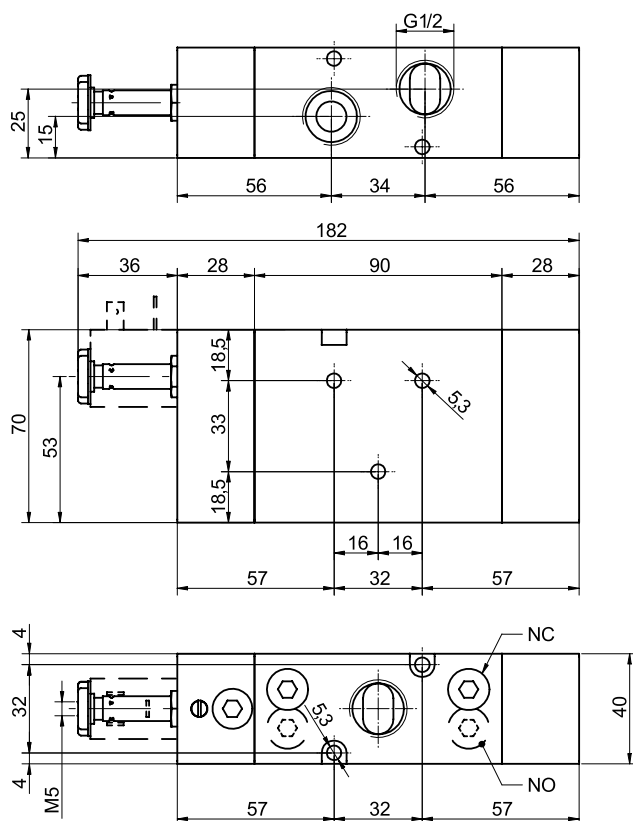
On request, they can be supplied according to 94/9/EC - **ATEX**

Code key

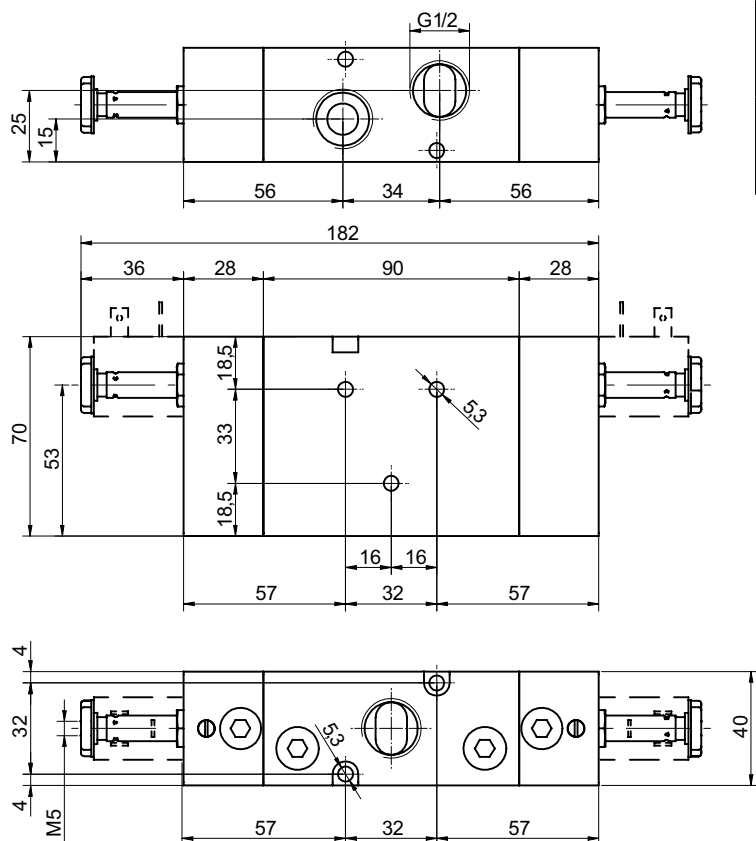
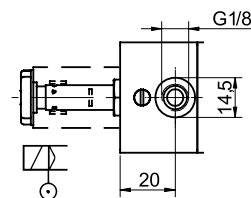
Series	Actuation	Size	Function
A1	E = electrical	1 = 1/8"	30 = 3/2 NC
	K = electrical with external air pilot	2 = 1/4"	31 = 3/2 NA
		4 = 1/2"	32 = 3/2 solenoid/solenoid
			50 = 5/2 solenoid/spring
			51 = 5/2 solenoid/solenoid
			70 = 5/3 CC
			71 = 5/3 CA
			72 = 5/3 CP

Technical data

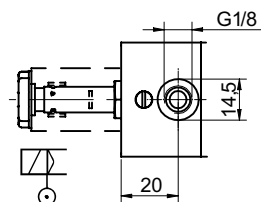
Fluid	Compressed filtered air with or without lubrication. Lubrication, if started, must be continued.		
Pressure range	0 ÷ 10 bar		
Temperature range	-10°C ÷ +60°C		
Orifice	15 mm		
Flow	2900 NI/min at 6 bar with ΔP 1 bar		
Minimum piloting pressure	Monostable: 2,5 bar	Bistable: 1 bar	3 positions: 2,5 bar
Mounting	In any position		
Manual override	Bistable on solenoid pilot - Monostable on valve body		
Response time (at 6 bar)	solenoid/spring		solenoid/solenoid
	Energising: 60 ms	De-energising: 36 ms	Energising: 30 ms De-energising: 30 ms
Materials	Body:	Anodised aluminium	
	Covers:	Anodised aluminium	
	Spool:	Hard aluminium anodized	
	Distancers:	Aluminium	
	Seals:	Hydrogenated Nitrile Butadiene Rubber (HNBR)	



Version	Symbol	Code	Item
3/2 NC		034113	A1E430
3/2 NA		034122	A1E431
3/2 NC external air pilot		034137	A1K430



Version	Symbol	Code	Item
3/2 solenoid/solenoid		034123	A1E432
3/2 solenoid/solenoid external air pilot		034158	A1K432



Standard executions			
Version	Symbol	Code	Item
5/2 solenoid/spring		034114	A1E450
5/2 solenoid/solenoid		034115	A1E451
5/2 solenoid/solenoid differential		034139	A1E452
5/3 with closed centres		034124	A1E470
5/3 with open centres		034125	A1E471
5/3 with pressurised centres		034126	A1E472
5/2 solenoid/spring, external air pilot		034138	A1K450
5/2 solenoid/solenoid external air pilot		034140	A1K451
5/3 with closed centres, external air pilot		034159	A1K470
5/3 with open centres, external air pilot		034160	A1K471
5/3 with pressurised centres external air pilot		034161	A1K472



Series of spool valves, with static seals, high flow, for panel mounting.

Coils and connectors are to be ordered separately.

For the coils type ASA12.../ASA2...

see page 2.200.1

For the connectors type A122...

see page 2.210.20

Code key

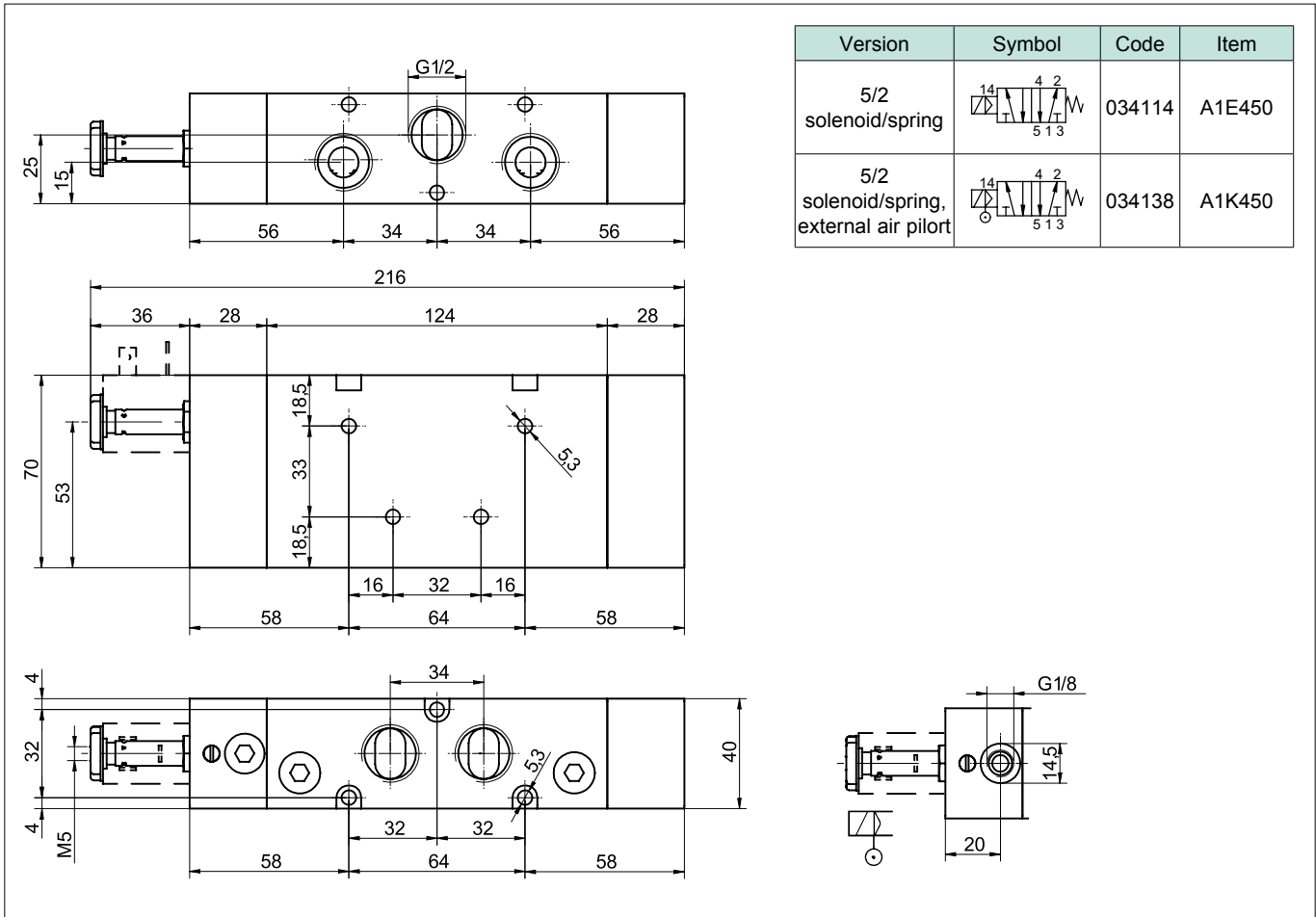
Series	Actuation	Size	Function
A1	E = electrical	1 = 1/8"	30 = 3/2 NC
	K = electrical	2 = 1/4"	31 = 3/2 NA
	with external	4 = 1/2"	32 = 3/2 solenoid/solenoid
	air pilot		50 = 5/2 solenoid/spring
			51 = 5/2 solenoid/solenoid
			52 = 5/2 solenoid/solenoid differential
			70 = 5/3 CC
			71 = 5/3 CA
			72 = 5/3 CP



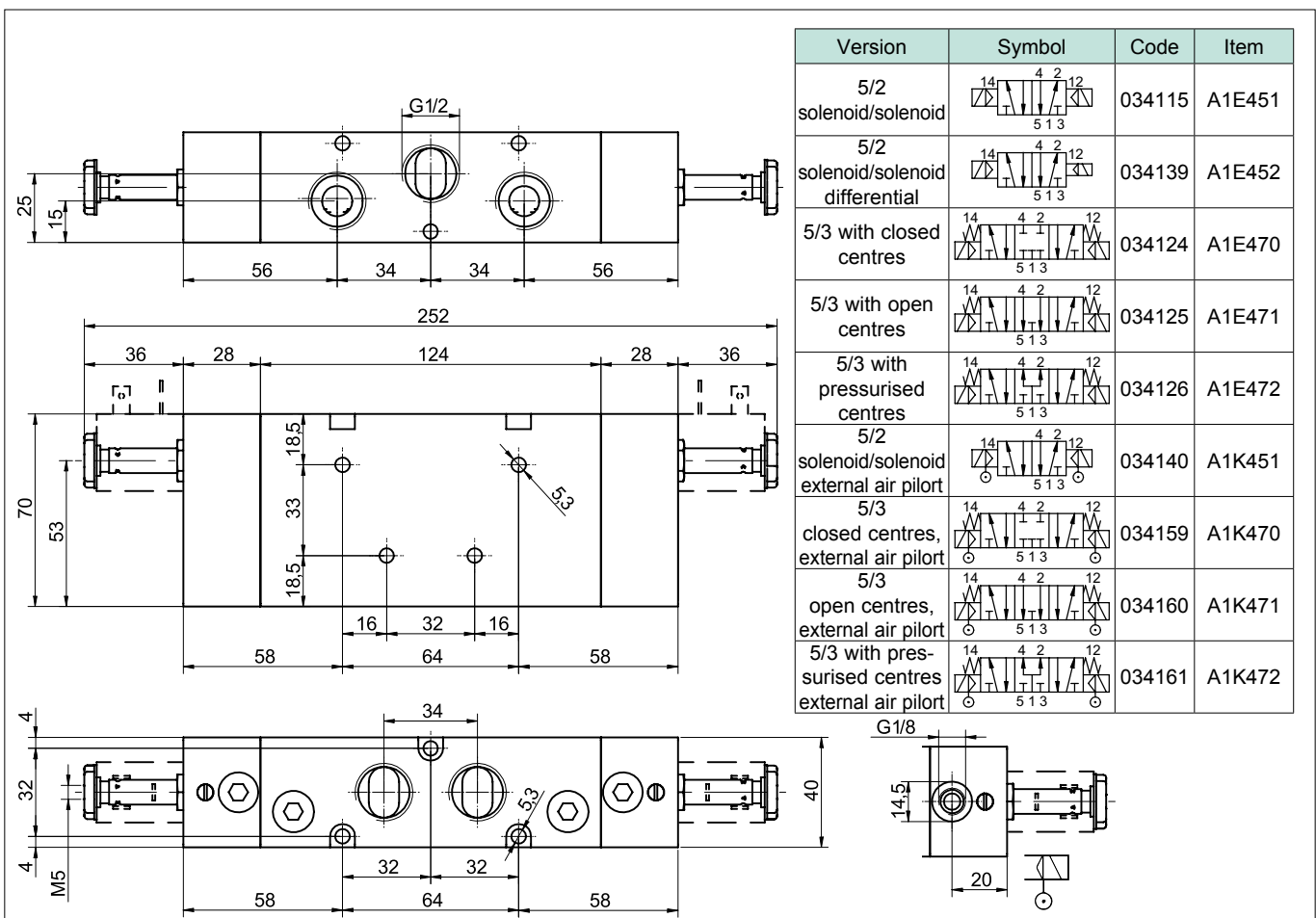
II 2Gc IIC T5
II 2Dc T100°C

On request, they can be supplied according to 94/9/EC - ATEX

Technical data			
Fluid	Compressed filtered air with or without lubrication. Lubrication, if started, must be continued.		
Pressure range	0 ÷ 10 bar		
Temperature range	-10°C ÷ +60°C		
Orifice	15 mm		
Flow	2900 NI/min at 6 bar with ΔP 1 bar		
Minimum piloting pressure	Monostable: 2,5 bar	Bistable: 1 bar	3 positions: 2,5 bar
Mounting	In any position		
Manual override	Bistable on solenoid pilot - Monostable on valve body		
Response time (at 6 bar)	solenoid/spring		solenoid/solenoid
	Energising: 60 ms	De-energising: 36 ms	Energising: 30 ms De-energising: 30 ms
Materials	Body:	Anodised aluminium	
	Covers:	Anodised aluminium	
	Spool:	Hard aluminium anodized	
	Distancers:	Aluminium	
	Seals:	Hydrogenated Nitrile Butadiene Rubber (HNBR)	



Version	Symbol	Code	Item
5/2 solenoid/spring		034114	A1E450
5/2 solenoid/spring, external air pilot		034138	A1K450



Version	Symbol	Code	Item
5/2 solenoid/solenoid		034115	A1E451
5/2 solenoid/solenoid differential		034139	A1E452
5/3 with closed centres		034124	A1E470
5/3 with open centres		034125	A1E471
5/3 with pressurised centres		034126	A1E472
5/2 solenoid/solenoid external air pilot		034140	A1K451
5/3 closed centres, external air pilot		034159	A1K470
5/3 open centres, external air pilot		034160	A1K471
5/3 with pressurised centres external air pilot		034161	A1K472

Standard executions			
Version	Symbol	Code	Item
3/2 NC		034116	A1P430
3/2 NA		034127	A1P431
3/2 pilot/pilot		034128	A1P432



Series of spool valves, with static seals, high flow, for panel mounting.



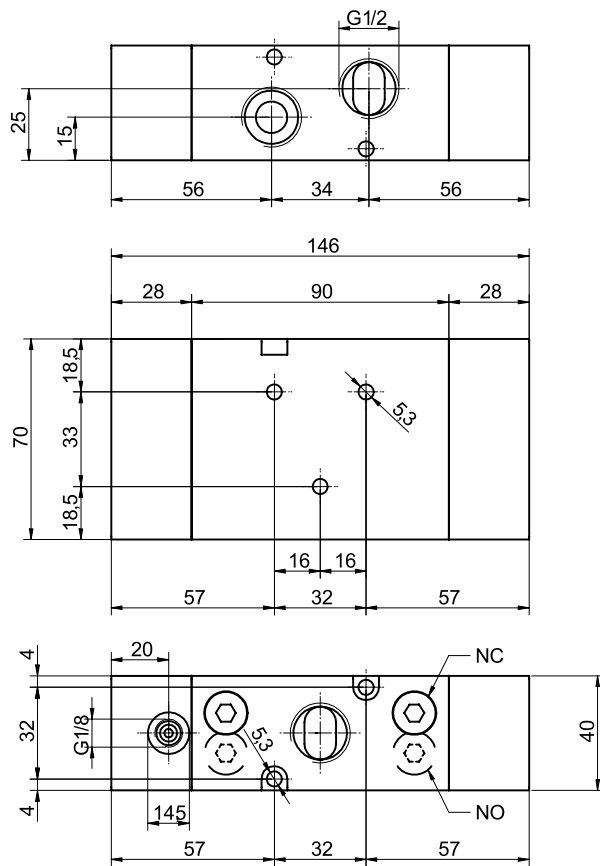
II 2Gc IIC T5
II 2Dc T100°C

On request, they can be supplied according to 94/9/EC - **ATEX**

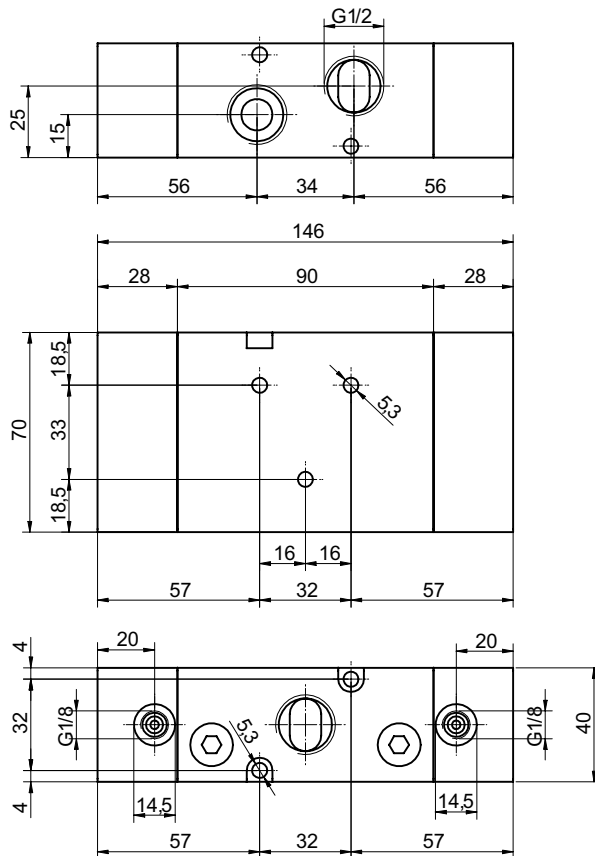
Code key

Series	Actuation	Size	Function
A1	P = pneumatic	1 = 1/8" 2 = 1/4" 4 = 1/2"	30 = 3/2 NC 31 = 3/2 NA 32 = 3/2 pilot/pilot 33 = 3/2 pilot/pilot differential 50 = 5/2 pilot/spring 51 = 5/2 pilot/pilot 52 = 5/2 pilot/pilot differential 70 = 5/3 CC 71 = 5/3 CA 72 = 5/3 CP

Technical data			
Fluid	Compressed filtered air with or without lubrication. Lubrication, if started, must be continued.		
Pressure range	0 ÷ 10 bar		
Temperature range	-10°C ÷ +60°C		
Orifice	15 mm		
Flow	2900 NI/min at 6 bar with ΔP 1 bar		
Minimum piloting pressure	Monostable: 2,5 bar	Bistable: 1 bar	3 positions: 2,5 bar
Mounting	In any position		
Manual override	Monostable on valve body		
Materials	Body:	Anodised aluminium	
	Covers:	Anodised aluminium	
	Spool:	Hard aluminium anodized	
	Distancers:	Aluminium	
	Seals:	Hydrogenated Nitrile Butadiene Rubber (HNBR)	



Version	Symbol	Code	Item
3/2 NC		034116	A1P430
3/2 NA		034127	A1P431



Version	Symbol	Code	Item
3/2 solenoid/solenoid		034128	A1P432

Standard executions

Version	Symbol	Code	Item
5/2 pilot/spring		034117	A1P450
5/2 pilot/pilot		034118	A1P451
5/2 pilot/pilot differential		034136	A1P452
5/3 with closed centres		034129	A1P470
5/3 with open centres		034130	A1P471
5/3 with pressurised centres		034135	A1P472



Series of spool valves, with static seals, high flow, for panel mounting.

Code key

Series	Actuation	Size	Function		
A1	P = pneumatic	1 = 1/8" 2 = 1/4" 4 = 1/2"	30 = 3/2 NC		
			31 = 3/2 NO		
			32 = 3/2 pilot/pilot		
			33 = 3/2 pilot/pilot differential		
					50 = 5/2 pilot/spring
					51 = 5/2 pilot/pilot
					52 = 5/2 pilot/pilot differential
					70 = 5/3 CC
					71 = 5/3 CO
					72 = 5/3 CP

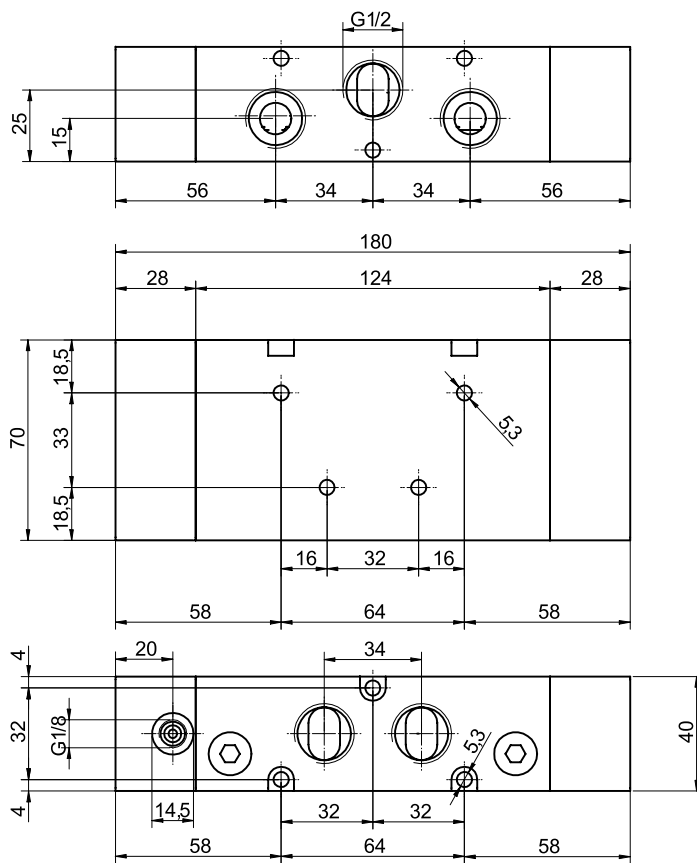


II 2Gc IIC T5
II 2Dc T100°C

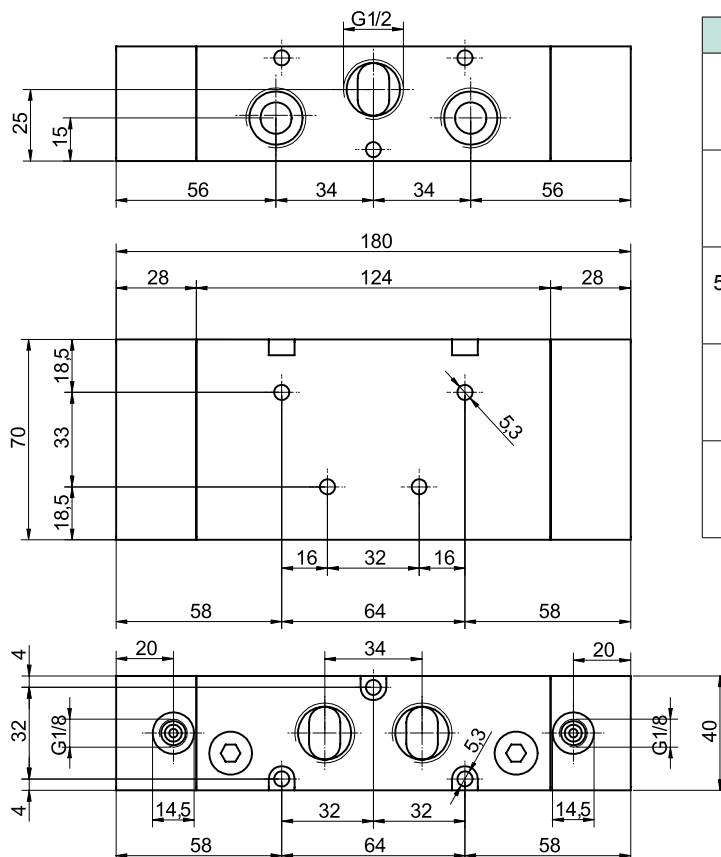
On request, they can be supplied according to 94/9/EC - **ATEX**

Technical data

Fluid	Compressed filtered air with or without lubrication. Lubrication, if started, must be continued.		
Pressure range	0 ÷ 10 bar		
Temperature range	-10°C ÷ +60°C		
Orifice	15 mm		
Flow	2900 NI/min at 6 bar with ΔP 1 bar		
Minimum piloting pressure	Monostable: 2,5 bar	Bistable: 1 bar	3 positions: 2,5 bar
Mounting	In any position		
Manual override	Bistable on solenoid pilot - Monostable on valve body		
Materials	Body:	Anodised aluminium	
	Covers:	Anodised aluminium	
	Spool:	Hard aluminium anodized	
	Distancers:	Aluminium	
	Seals:	Hydrogenated Nitrile Butadiene Rubber (HNBR)	



Version	Symbol	Code	Item
5/2 solenoid/spring		034117	A1P450



Version	Symbol	Code	Item
5/2 solenoid/solenoid		034118	A1P451
5/2 solenoid/solenoid differential		034136	A1P452
5/3 with closed centres		034129	A1P470
5/3 with open centres		034130	A1P471
5/3 with pressurised centres		034135	A1P472

Standard executions			
Version	Symbol	Code	Item
Electric Flip-flop		033170	AEF1520
Pneumatic Flip-flop		033160	APF1520



II 2Gc IIC T5
II 2Dc T100°C

On request, they can be supplied according to 94/9/EC - ATEX



Series of Flip-flop electrically or pneumatically operated.

Flip-flop: Circuit composed by a 1/4" power valve 5/2 two stable position. With the same signal applied twice at different times the cylinder carries out a complete cycle.

Coils and connectors are to be ordered separately.

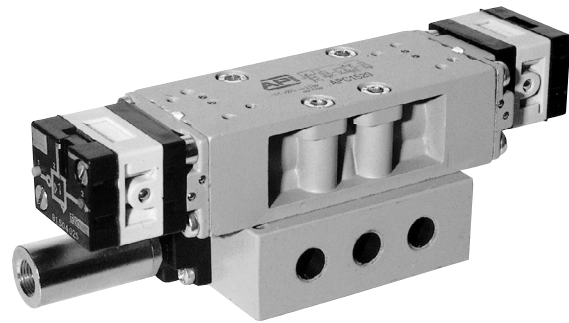
For the coils type ASA12..

see page 2.200.1.

For the connectors type A12209..

see page 2.210.20.

Standard executions			
Version	Symbol	Code	Item
Electric continuous cycling		033172	AEC1520
Pneumatic continuous cycling		033171	APC1520



Series of integrated circuits, electrically or pneumatically operated.

Continuous cycling: Circuit composed by a 1/8" power valve 5/2 single stable position. Keeping the signal the cylinder carries out continuous cycling till the signal is not interrupted.

Coils and connectors are to be ordered separately.

For the coils type ASA12..

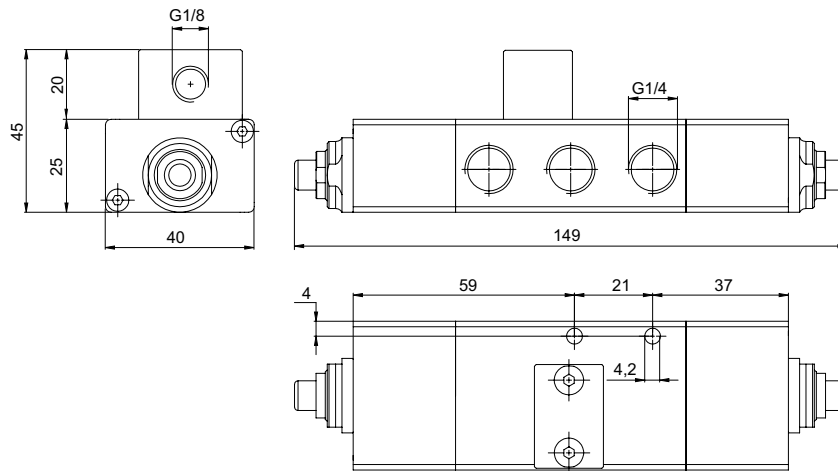
see page 2.200.1.

For the connectors type A12209..

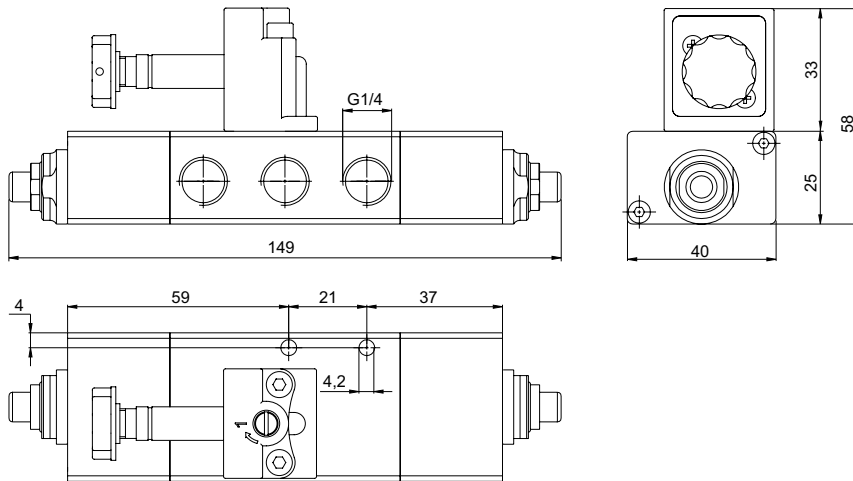
see page 2.210.20.

Technical data	
Fluid	Compressed filtered air with or without lubrication. Lubrication, if started, must be continued.
Pressure range	25 bar
Temperature range	-10 °C ÷ + 60°C
Orifice	6 mm 8 mm
Flow	800 NI/min 1200 NI/min
Manual override	Two stable position, flat
Response time	Energising: 20 ms De-energising: 38 ms
Mounting	In any position
Materials	Body: Anodised aluminium Base: Anodised aluminium Seals: Hydrogenated Nitrile Butadiene Rubber (HNBR)

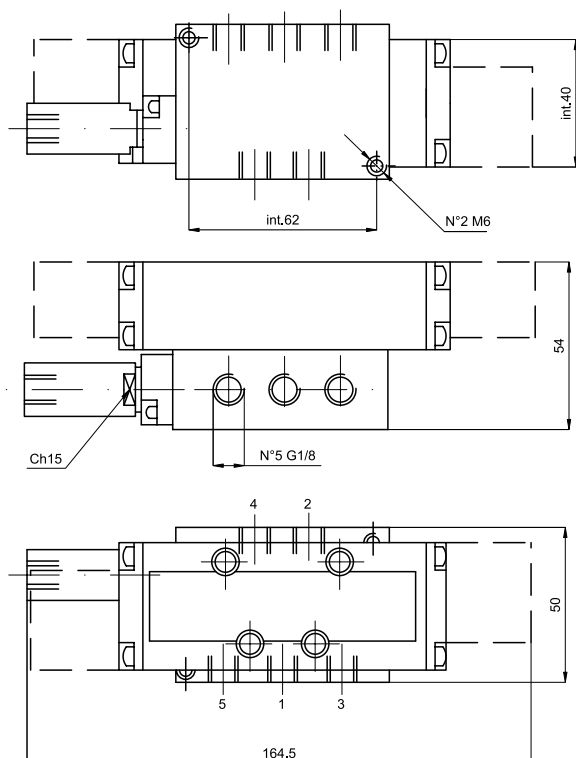
Type: **APF1520**



Type: **AEF1520**



Type: **APC1520**



Type: **AEC1520**

