

Standard executions			
Version	Symbol	Code	Item
3/2 NC solenoid/spring		034059	A1NE230
3/2 solenoid/solenoid		034060	A1NE232
5/2 solenoid/spring		034057	A1NE250
5/2 solenoid/solenoid		034058	A1NE251



Series of spool valves, with static seals, high flow, for mounting on NAMUR interface.

Coils and connectors are to be ordered separately.

For the coils type ASA12...

see page 2.200.1

For the coils type ASA2... (1)

see from page. 2.200.10

For the connectors type A122...

see page 2.210.20



II 2Gc IIC T5
II 2Dc T100°C

On request, they can be supplied according to 94/9/EC - ATEX

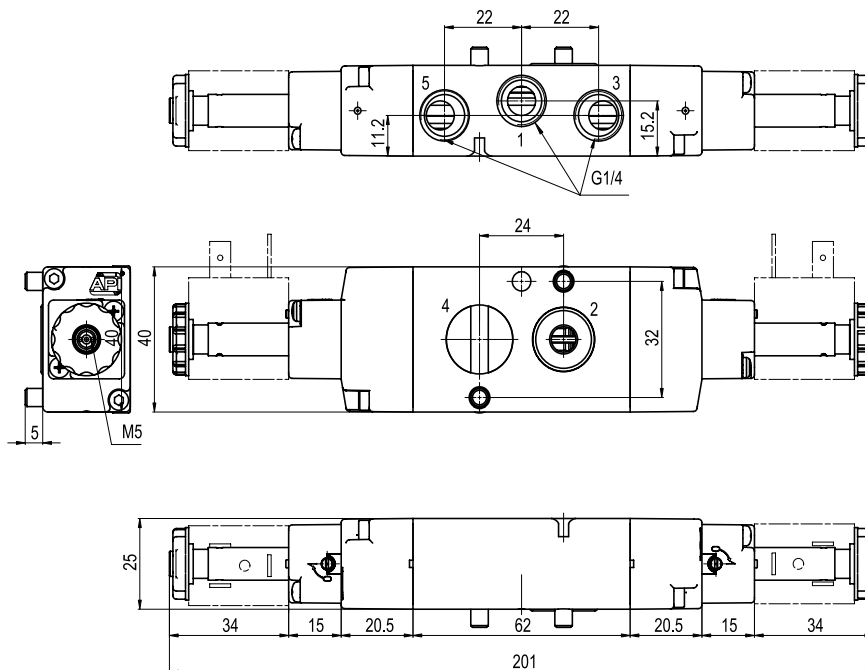
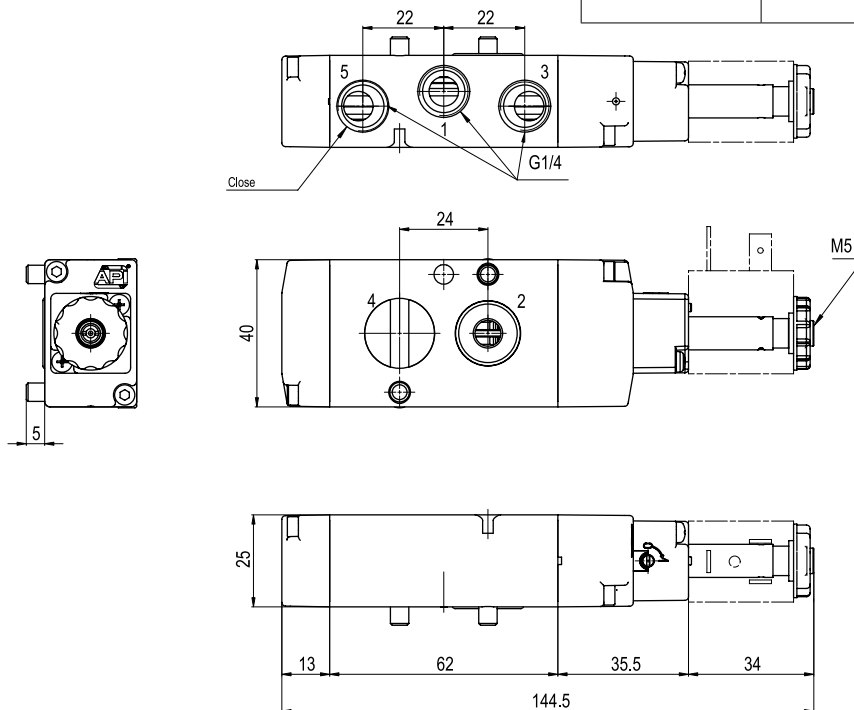
Code key

Series	Actuation	Size	Function
A1	NE= NAMUR electrical	2 = 1/4"	30 = 3/2 NC 32 = 3/2 solenoid/solenoid 50 = 5/2 solenoid/spring 51 = 5/2 solenoid/solenoid

Note (1)	Code	Item
For assembling coils type ASA2... order plate PSN...	034203	PSN 3/2
	034166	PSN 5/2

Technical data			
Fluid	Compressed filtered air with or without lubrication. Lubrication, if started, must be continued.		
Pressure range	1 ÷ 10 bar		
Temperature range	-10°C ÷ +60°C		
Orifice	7 mm		
Flow	1.000 NI/min at 6 bar with ΔP 1 bar		
Minimum piloting pressure	1,5 bar	Minimum external air pressure: 1,5 bar	
Mounting	In any position		
Manual override	Bistable		
Response time (at 6 bar)	solenoid/spring		solenoid/solenoid
	Energising: 45 ms	De-energising: 19 ms	Energising: 21 ms De-energising: 21 ms
Materials	Body:	Die-cast painted aluminium	
	Covers:	Delrin 500	
	Spool:	Hard aluminium anodized	
	Distancers:	Fortron 1140 L4	
	Seals:	Hydrogenated Nitrile Butadiene Rubber (HNBR)	

Version	Symbol	Code	Item
3/2 NC solenoid/spring		034059	A1NE230

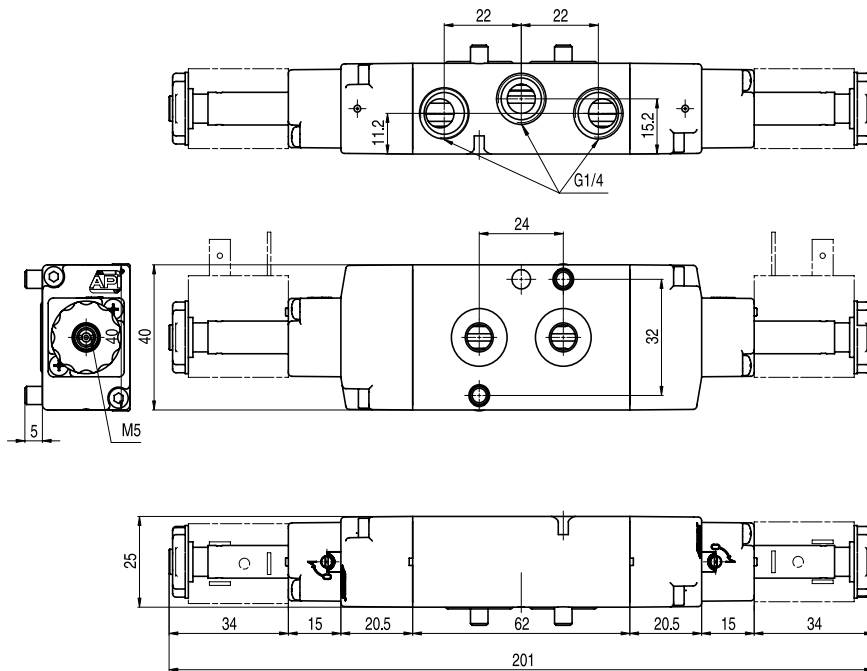
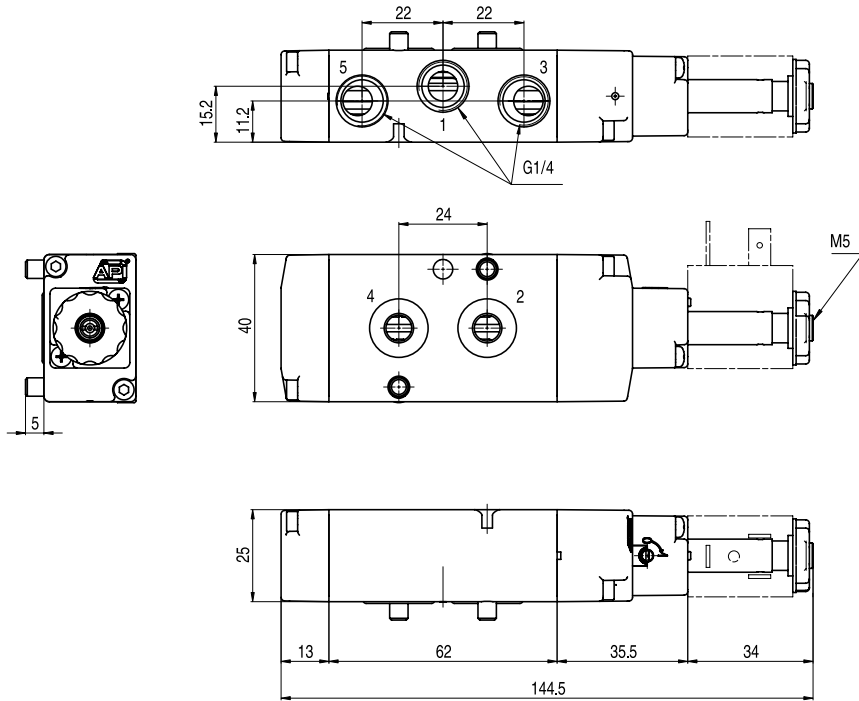


Version	Symbol	Code	Item
3/2 solenoid/solenoid		034060	A1NE232

Valves series A1

1/4", 3/2 - 5/2, NAMUR interface, electrically operated

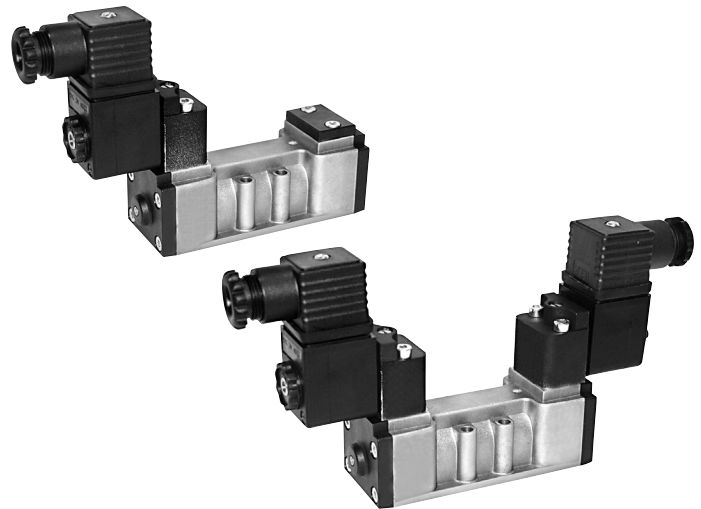
Version	Symbol	Code	Item
5/2 solenoid/spring		034057	A1NE250



Version	Symbol	Code	Item
5/2 solenoid/solenoid		034058	A1NE251

Standard executions

Version	Symbol	Code	Item
5/2 solenoid/spring		032020	ISO1E50
5/2 solenoid/solenoid		032030	ISO1E51
5/2 solenoid/solenoid differential		032037	ISO1E52
5/3 with closed centres		032031	ISO1E70
5/3 with open centres		032032	ISO1E71
5/3 with pressurised centres		032043	ISO1E72
5/2 solenoid/spring external air pilot		032021	ISO1K50
5/2 solenoid/solenoid external air pilot		032044	ISO1K51
5/2 solenoid/solenoid differential external air pilot		032048	ISO1K52
5/3 with closed centres external air pilot		032049	ISO1K70
5/3 with open centres external air pilot		032053	ISO1K71
5/3 with pressurised centres external air pilot		032054	ISO1K72



Series of spool valves, conforming to ISO 5599/1 standards for the mounting only on sub-base, with CNOMO pilot.

Coils and connectors are to be ordered separately.

For the coils type ASA12.../ASA2... see page 2.200.1

For the connectors type A122.../A182... see page 2.210.20

For the sub-bases type SBA1... see page 2.120.1

Code key

Series	Size	Actuation	Function
ISO	1	E = electrical	50 = 5/2 solenoid/spring
	2	K = electrical with external air pilot	51 = 5/2 solenoid/solenoid differential
			70 = 5/3 CC
			71 = 5/3 CO
			72 = 5/3 CP

NOTE: FOR VALVES WITH PILOT IN LINE SEE PAGE 2.111.1

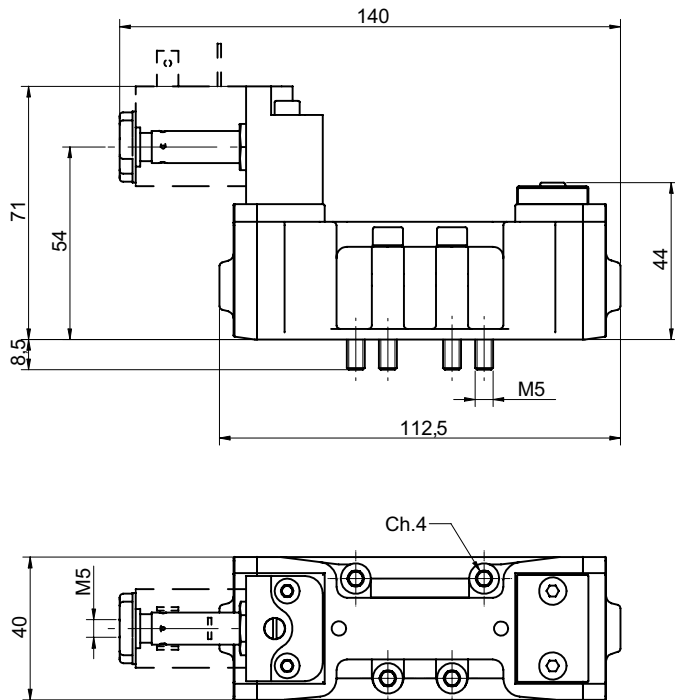


**II 2Gc IIC T5
II 2Dc T100°C**

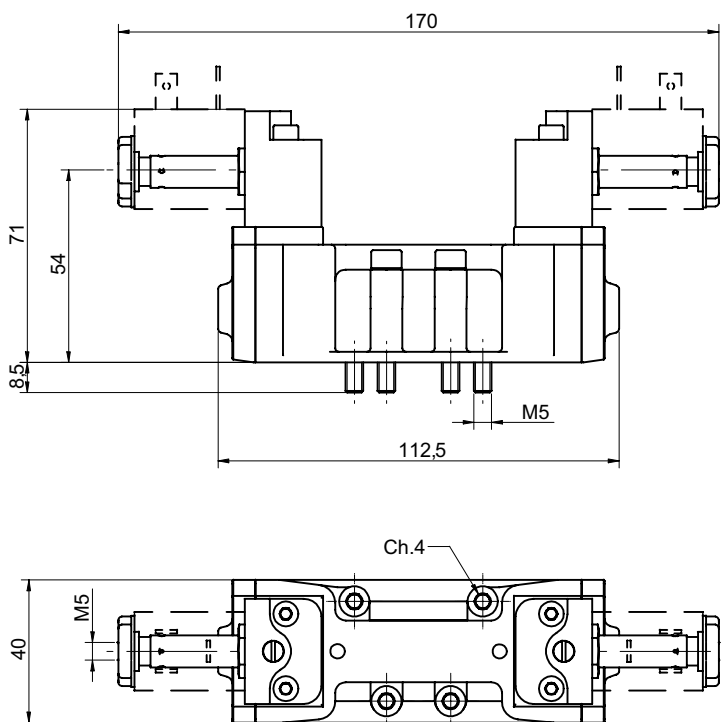
On request, they can be supplied according to 94/9/EC - ATEX

Technical data

Fluid	Compressed filtered air with or without lubrication. Lubrication, if started, must be continued.		
Pressure range	0 ÷ 10 bar		
Temperature range	-10°C ÷ +60°C		
Orifice	8,5 mm		
Flow	1100 NI/min at 6 bar with ΔP 1 bar		
Minimum piloting pressure	Monostable: 2 bar	Bistable: 1 bar	3 positions: 2,5 bar
Mounting	In any position		
Electropilot	Conforming to CNOMO		
Manual override	Bistable on solenoid pilot - Monostable on valve body		
Materials	Body:	Die-cast painted aluminium	
	Covers:	PBT	
	Spool:	Hard aluminium anodized	
	Distancers:	Aluminium	
	Seals:	Hydrogenated Nitrile Butadiene Rubber (HNBR)	



Version	Symbol	Code	Item
5/2 solenoid/ spring		032020	ISO1E50
5/2 solenoid/ spring, external air pilot		032021	ISO1K50



Version	Symbol	Code	Item
5/2 solenoid/solenoid		032030	ISO1E51
5/2 solenoid/solenoid differential		032037	ISO1E52
5/3 with closed centres		032031	ISO1E70
5/3 with open centres		032032	ISO1E71
5/3 with pressurised centres		032043	ISO1E72
5/2 solenoid/solenoid external air pilot		032044	ISO1K51
5/2 solenoid/ solenoid external air pilot differential		032048	ISO1K52
5/3 with closed centres external air pilot		032049	ISO1K70
5/3 with open centres external air pilot		032053	ISO1K71
5/3 with pressurised centres external air pilot		032054	ISO1K72

Standard executions			
Version	Symbol	Code	Item
5/2 solenoid/spring		032060	ISO1EL50
5/2 solenoid/solenoid		032070	ISO1EL51
5/2 solenoid/solenoid differential		032061	ISO1EL52
5/3 with closed centres		032071	ISO1EL70
5/3 with open centres		032072	ISO1EL71
5/3 with pressurised centres		032066	ISO1EL72
5/2 solenoid/spring external air pilot		032063	ISO1KL50
5/2 solenoid/solenoid external air pilot		032064	ISO1KL51
5/2 solenoid/solenoid differential external air pilot		032065	ISO1KL52
5/3 with closed centres external air pilot		032067	ISO1KL70
5/3 with open centres external air pilot		032068	ISO1KL71
5/3 with pressurised centres external air pilot		032069	ISO1KL72



Series of spool valves, conforming to ISO 5599/1 standards for the mounting only on sub-base, with IN LINE pilot.

Coils and connectors are to be ordered separately.

For the coils type ASA12.../ASA2... see page 2.200.1

For the connectors type A122... /A182... see page 2.210.20

For the sub-bases type SBA1... see page 2.120.1

Code key

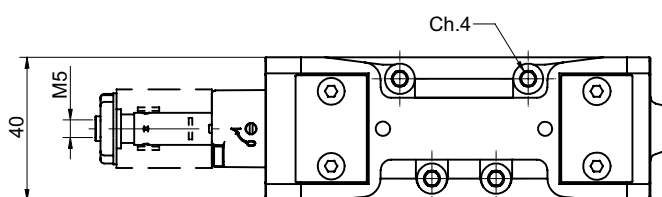
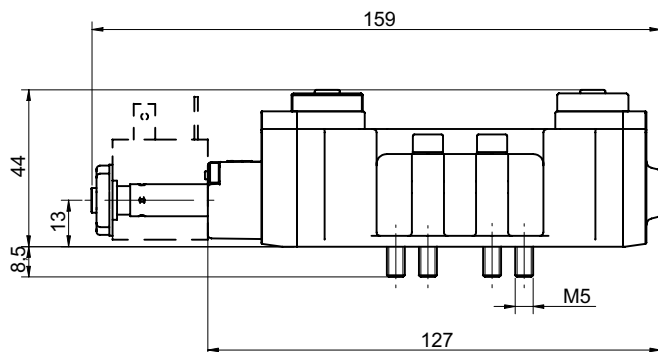
Series	Size	Actuation	Function
ISO	1	EL = electrical	50 = 5/2 solenoid/spring
	2	KL = electrical	51 = 5/2 solenoid/solenoid
		with external air pilot	52 = 5/2 solenoid/solenoid differential
			70 = 5/3 CC
			71 = 5/3 CO
			72 = 5/3 CP

NOTE: FOR VALVES WITH CNOMO PILOT SEE PAGE 2.110.1

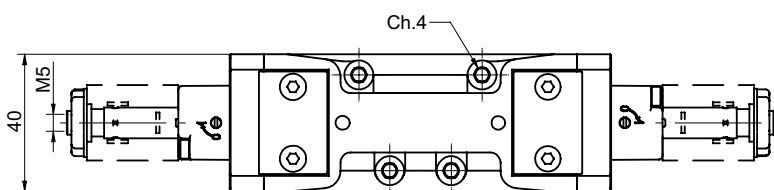
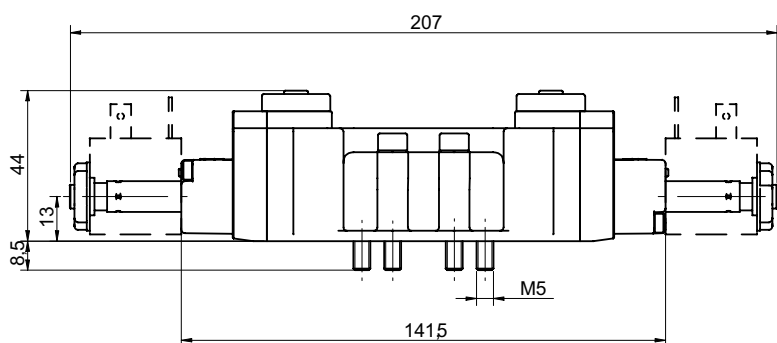
II 2Gc IIC T5
II 2Dc T100°C

On request, they can be supplied according to 94/9/EC - ATEX

Technical data			
Fluid	Compressed filtered air with or without lubrication. Lubrication, if started, must be continued.		
Pressure range	0 ÷ 10 bar		
Temperature range	-10°C ÷ +60°C		
Orifice	8,5 mm		
Flow	1100 NI/min at 6 bar with ΔP 1 bar		
Minimum piloting pressure	Monostable: 2 bar	Bistable: 1 bar	3 positions: 2,5 bar
Mounting	In any position		
Electropilot	IN LINE		
Manual override	Bistable on solenoid pilot - Monostable on valve body		
Materials	Body:	Die-cast painted aluminium	
	Covers:	PBT	
	Spool:	Hard aluminium anodized	
	Distancers:	Aluminium	
	Seals:	Hydrogenated Nitrile Butadiene Rubber (HNBR)	

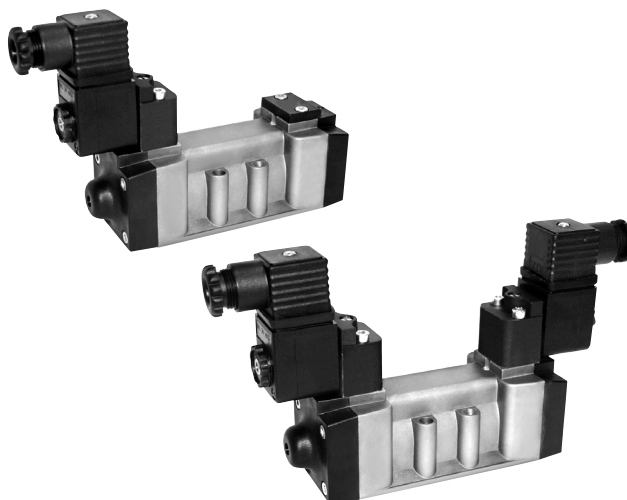


Version	Symbol	Code	Item
5/2 solenoid/ spring		032060	ISO1EL50
5/2 solenoid/ spring, external air pilot		032063	ISO1KL50



Version	Symbol	Code	Item
5/2 solenoid/solenoid		032070	ISO1EL51
5/2 solenoid/solenoid differential		032061	ISO1EL52
5/3 with closed centres		032071	ISO1EL70
5/3 with open centres		032072	ISO1EL71
5/3 with pressurised centres		032066	ISO1EL72
5/2 solenoid/solenoid external air pilot		032064	ISO1KL51
5/2 solenoid/ solenoid external air pilot differential		032065	ISO1KL52
5/3 with closed centres external air pilot		032067	ISO1KL70
5/3 with open centres external air pilot		032068	ISO1KL71
5/3 with pressurised centres external air pilot		032069	ISO1KL72

Standard executions			
Version	Symbol	Code	Item
5/2 solenoid/spring		032040	ISO2E50
5/2 solenoid/solenoid		032050	ISO2E51
5/2 solenoid/solenoid differential		032042	ISO2E52
5/3 with closed centres		032051	ISO2E70
5/3 with open centres		032052	ISO2E71
5/3 with pressurised centres		032055	ISO2E72
5/2 solenoid/spring external air pilot		032039	ISO2K50
5/2 solenoid/solenoid external air pilot		032056	ISO2K51
5/2 solenoid/solenoid differential external air pilot		032057	ISO2K52
5/3 with closed centres external air pilot		032058	ISO2K70
5/3 with open centres external air pilot		032059	ISO2K71
5/3 with pressurised centres external air pilot		032062	ISO2K72



Series of spool valves, conforming to ISO 5599/1 standards for the mounting only on sub-base, with CNOMO pilot.

Coils and connectors are to be ordered separately.

For the coils type ASA12.../ASA2...

see page 2.200.1

For the connectors type A122.../A182...

see page 2.210.20

For the sub-bases type SBA2...

see page 2.137.1

Code key

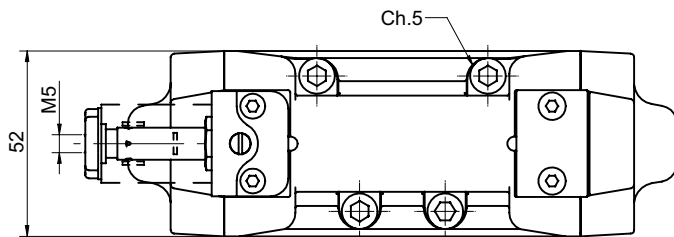
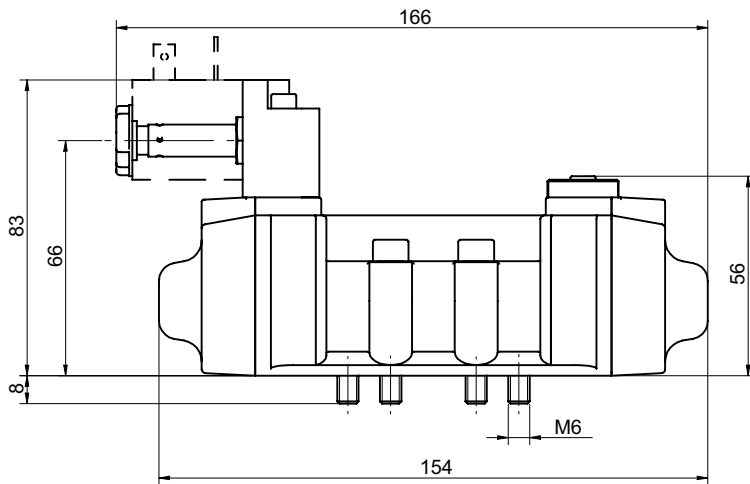
Series	Size	Actuation	Function
ISO	1	E = electrical	50 = 5/2 solenoid/spring
	2	K = electrical with external air pilot	51 = 5/2 solenoid/solenoid
			52 = 5/2 solenoid/solenoid differential
			70 = 5/3 CC
			71 = 5/3 CO
			72 = 5/3 CP



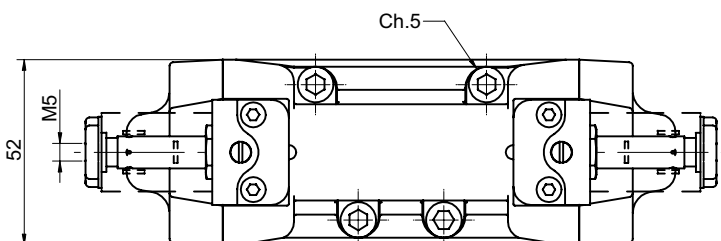
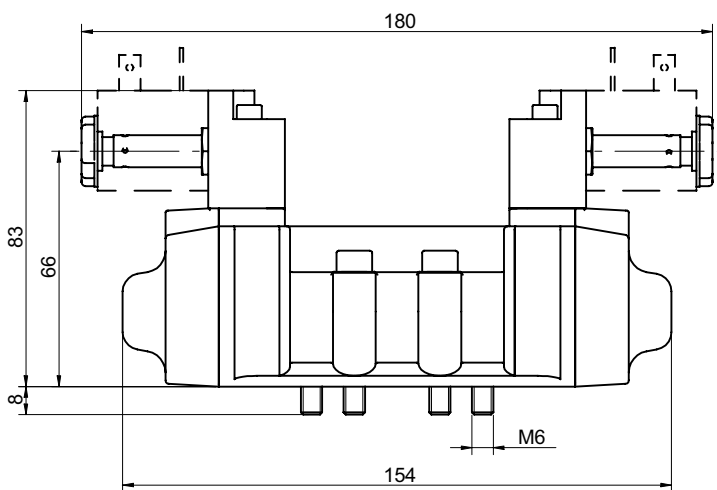
II 2Gc IIC T5
II 2Dc T100°C

On request, they can be supplied according to 94/9/EC - ATEX

Technical data			
Fluid	Compressed filtered air with or without lubrication. Lubrication, if started, must be continued.		
Pressure range	0 ÷ 10 bar		
Temperature range	-10°C ÷ +60°C		
Orifice	15 mm		
Flow	2900 NI/min at 6 bar with ΔP 1 bar		
Minimum piloting pressure	Monostable: 2 bar	Bistable: 1 bar	3 positions: 2,5 bar
Mounting	In any position		
Electropilot	Conforming to CNOMO		
Manual override	Bistable on solenoid pilot - Monostable on valve body		
Materials	Body:	Die-cast painted aluminium	
	Covers:	PBT	
	Spool:	Hard aluminium anodized	
	Distancers:	Aluminium	
	Seals:	Hydrogenated Nitrile Butadiene Rubber (HNBR)	

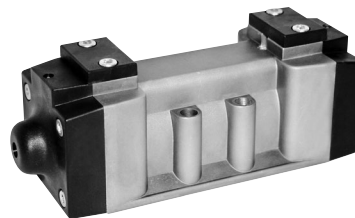


Version	Symbol	Code	Item
5/2 solenoid/ spring		032040	ISO2E50
5/2 solenoid/ spring, external air pilot		032039	ISO2K50



Version	Symbol	Code	Item
5/2 solenoid/ solenoid		032050	ISO2E51
5/2 solenoid/ solenoid differential		032042	ISO2E52
5/3 with closed centres		032051	ISO2E70
5/3 with open centres		032052	ISO2E71
5/3 centri in pressione		032055	ISO2E72
5/2 solenoid/ solenoid external air pilot		032056	ISO2K51
5/2 solenoid/ solenoid external air pilot differential		032057	ISO2K52
5/3 with closed centres, external air pilot		032058	ISO2K70
5/3 with open centres, external air pilot		032059	ISO2K71
5/3 with pressurised centres external air pilot		032062	ISO2K72

Standard executions			
Version	Symbol	Code	Item
5/2 pilot/spring		032005	ISO2P50
5/2 pilot/pilot		032011	ISO2P51
5/2 pilot/pilot differential		032012	ISO2P52
5/3 with closed centres		032013	ISO2P70
5/3 with open centres		032014	ISO2P71
5/3 with pressurised centres		032038	ISO2P72



Series of spool valves, conforming to ISO 5599/1 standards for the mounting only on sub-base.
For the sub-bases type SBA2... see page 2.137.1

Code key

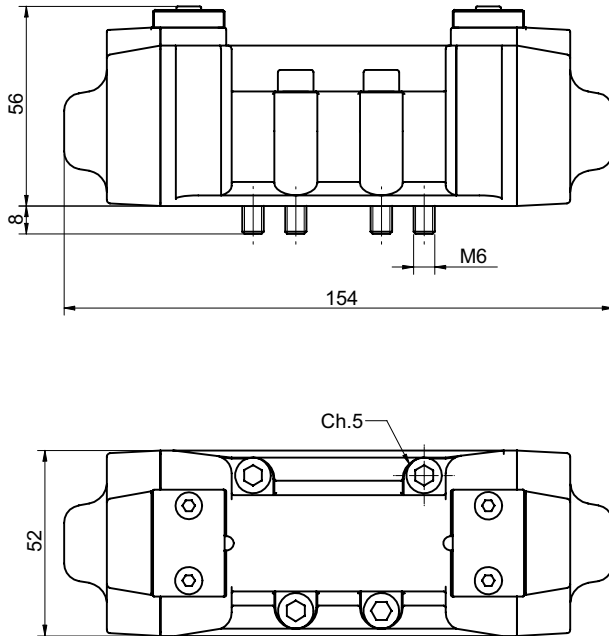
Series	Size	Actuation	Function
ISO	1 2	P = pneumatic	50 = 5/2 pilot/spring 51 = 5/2 pilot/pilot 52 = 5/2 pilot/pilot differential 70 = 5/3 CC 71 = 5/3 CO 72 = 5/3 CP



II 2Gc IIC T5
II 2Dc T100°C

On request, they can be supplied according to 94/9/EC - ATEX

Technical data			
Fluid	Compressed filtered air with or without lubrication. Lubrication, if started, must be continued.		
Pressure range	0 ÷ 10 bar		
Temperature range	-10°C ÷ +60°C		
Orifice	15 mm		
Flow	2900 NI/min at 6 bar with ΔP 1 bar		
Minimum piloting pressure	Monostable: 2 bar	Bistable: 1 bar	3 positions: 2,5 bar
Mounting	In any position		
Manual override	Monostable on valve body		
Materials	Body:	Die-cast painted aluminium	
	Covers:	PBT	
	Spool:	Hard aluminium anodized	
	Distancers:	Aluminium	
	Seals:	Hydrogenated Nitrile Butadiene Rubber (HNBR)	



Version	Symbol	Code	Item
5/2 pilot/spring		032005	ISO2P50
5/2 pilot/pilot		032011	ISO2P51
5/2 pilot/pilot differential		032012	ISO2P52
5/3 with closed centres		032013	ISO2P70
5/3 with open centres		032014	ISO2P71
5/3 with pressurised centres		032038	ISO2P72

Standard executions

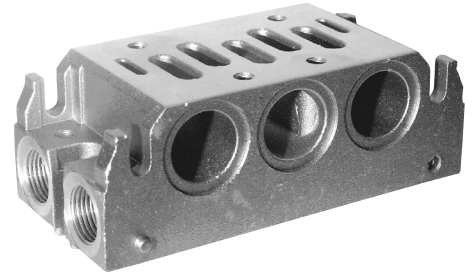
Version	Symbol	Code	Item
Single sub-base		032200	SBA2S
Manifold sub-base		032130	SBA2M
Blank manifold end plate		032150	SBA2C
Ported manifold end plate		032151	SBA2A
Manifold blanking plate		032180	SBA2T
Interface for sub-base from size ISO1 to ISO2		032160	SBA1A2

The blank manifold end plate can be used to separate 2 supplies with different pressures on the same manifold.



II 2Gc IIC T5
II 2Dc T100°C

On request, they can be supplied according to 94/9/EC - **ATEX**

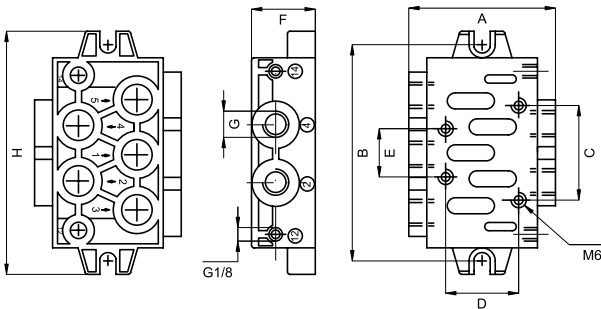


Series of single and manifold sub-bases for valves ISO5599/1 size 2.

Materials:	Body: Die-cast aluminium
	Seals: Nitrile rubber (NBR)
	Screws: Zinc plated steel

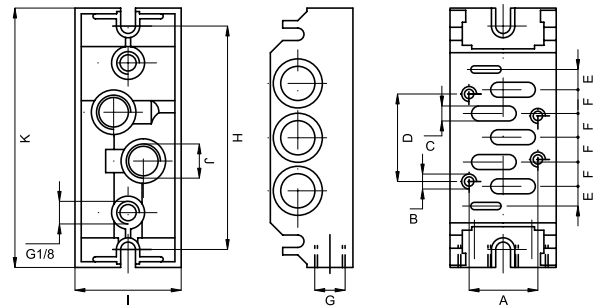
The kit SBA2M includes: 2 screws and 3 seals
 The kit SBA2C/A includes: 2 screws and 3 seals
 The kit SBA2T includes: 4 screws and 1 seal
 The kit SBA1A2 includes: 4 screws and 6 seals

Type: SBA2S



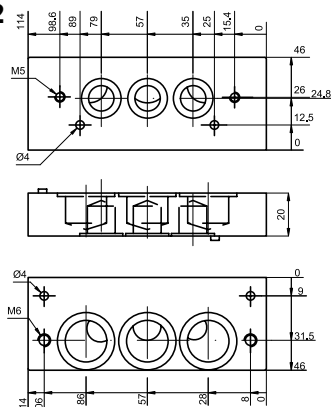
A	B	C	D	E	F	G	H
65	100,5	48	38	24	30	3/8"	112,5

Type: SBA2M

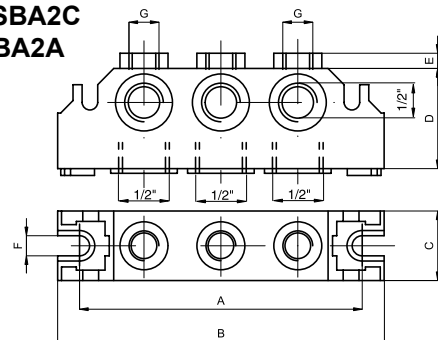


A	B	C	D	E	F	G	H	I	J	K
38	M6	7	48	10	12	3/8"	102	56	3/8"	120

Type: SBA1A2



Type: SBA2C SBA2A



A	B	C	D	E	F	G
102	120	29	43	7	6,5	1/4"