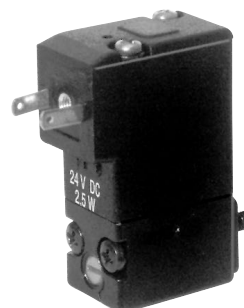


Standard executions

Version	Symbol	Code	Item
3/2, N. C. 12 V DC		034601	AE05C01200
3/2, N. C. 24 V DC		034602	AE05C02400
3/2, N. C. 24 V AC		034603	AE05C02450
3/2, N. C. 110 V AC		034604	AE05C11050
3/2, N. C. 230 V AC		034605	AE05C22050
3/2, N. A. 12 V DC		034611	AE05A01200
3/2, N. A. 24 V DC		034612	AE05A02400
3/2, N. A. 24 V AC		034613	AE05A02450
3/2, N. A. 110V AC		034614	AE05A11050
3/2, N. A. 230 V AC		034615	AE05A22050



Series of directly operated poppet valves for single or manifold sub-bases, standard with coil and without connector.

The single base is M5 threaded.

The manifold bases can be supplied with M5 ports or with integral 4 mm push-in fitting.

For sub-bases see page 2.2.2.

For the connectors type A19207.. see page 2.210.10.

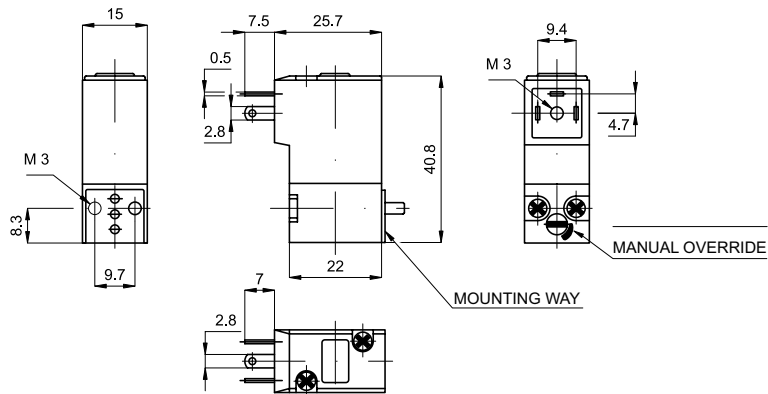
Note: The maximum couple of locking of M3 screws must not exceed 0,5 Nm.

(The locking screws are included together with the valve).

Technical data

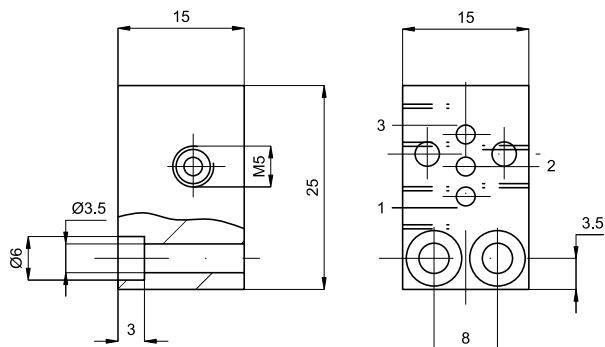
Fluid	Compressed filtered air with or without lubrication	
Pressure range	Normally closed: 0 ÷ 10 bar	Normally open: 0 ÷ 8 bar
Temperature range	-15 °C ÷ + 50°C	
Orifice	Normally closed: 1,2 mm	Normally open: 1 mm
Normal flow at 6 bar	Normally closed: 29 NI/min	Normally open: 26 NI/min
Manual override	Two stable position, flat	
Response time	10 ÷ 15 ms	
Mounting	In any position	
Duty cycle	ED 100%	
Voltage tolerance	± 10%	
Class protection	IP 65 (with connector already mounted)	
Electrical consumption	2,5 W	
Materials	Body:	Acetal resin
	Internal parts:	Acetal resin - stainless steel
	Seals:	Nitrile rubber (NBR)
	Screws:	Zinc plated steel

Type: AE05...



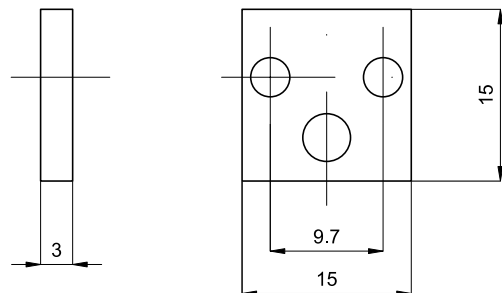
Single base

Type: ABAS05S



Closing plate

Type: ABAS05T



Code

034621

Item

ABAS05S

Code

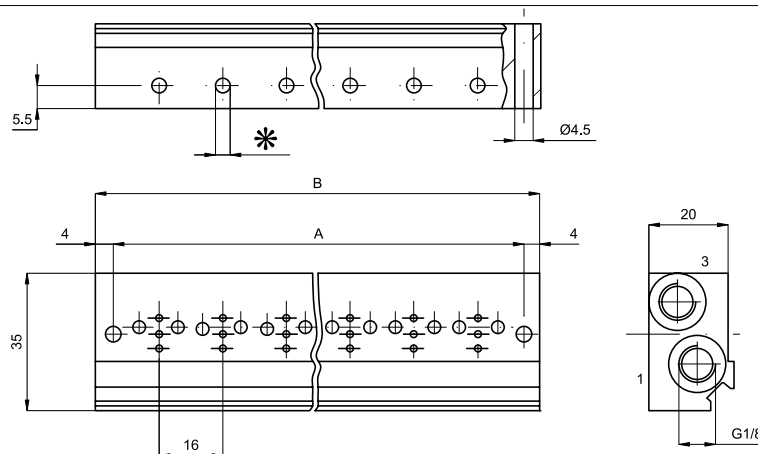
034622

Item

ABAS05T

Manifold base

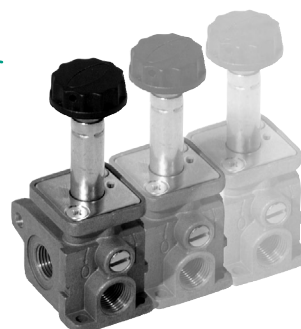
Type: ABAS05...



With M5 ports				With push-in fitting 4 mm tube ports					
Code	Item	Positions	*	Code	Item	Positions	*	A	B
034625	ABAS050205	2	M5	034641	ABAS050204	2	4 mm.	39	47
034626	ABAS050305	3		034642	ABAS050304	3		55	63
034627	ABAS050405	4		034643	ABAS050404	4		71	79
034628	ABAS050505	5		034644	ABAS050504	5		87	95
034629	ABAS050605	6		034645	ABAS050604	6		103	111
034630	ABAS050705	7		034646	ABAS050704	7		119	127
034631	ABAS050805	8		034647	ABAS050804	8		135	143
034632	ABAS050905	9		034648	ABAS050904	9		151	159
034633	ABAS051005	10		034649	ABAS051004	10		167	175

Standard executions			
Version	Symbol	Code	Item
3/2 N.C. with manual override solenoid/spring		034188	A1EM13012M
3/2 N.C. with manual override bistable		034189	A1EM13012B

New



Series of directly operated poppet valves for panel mounting. Base set up for single or modular installation.

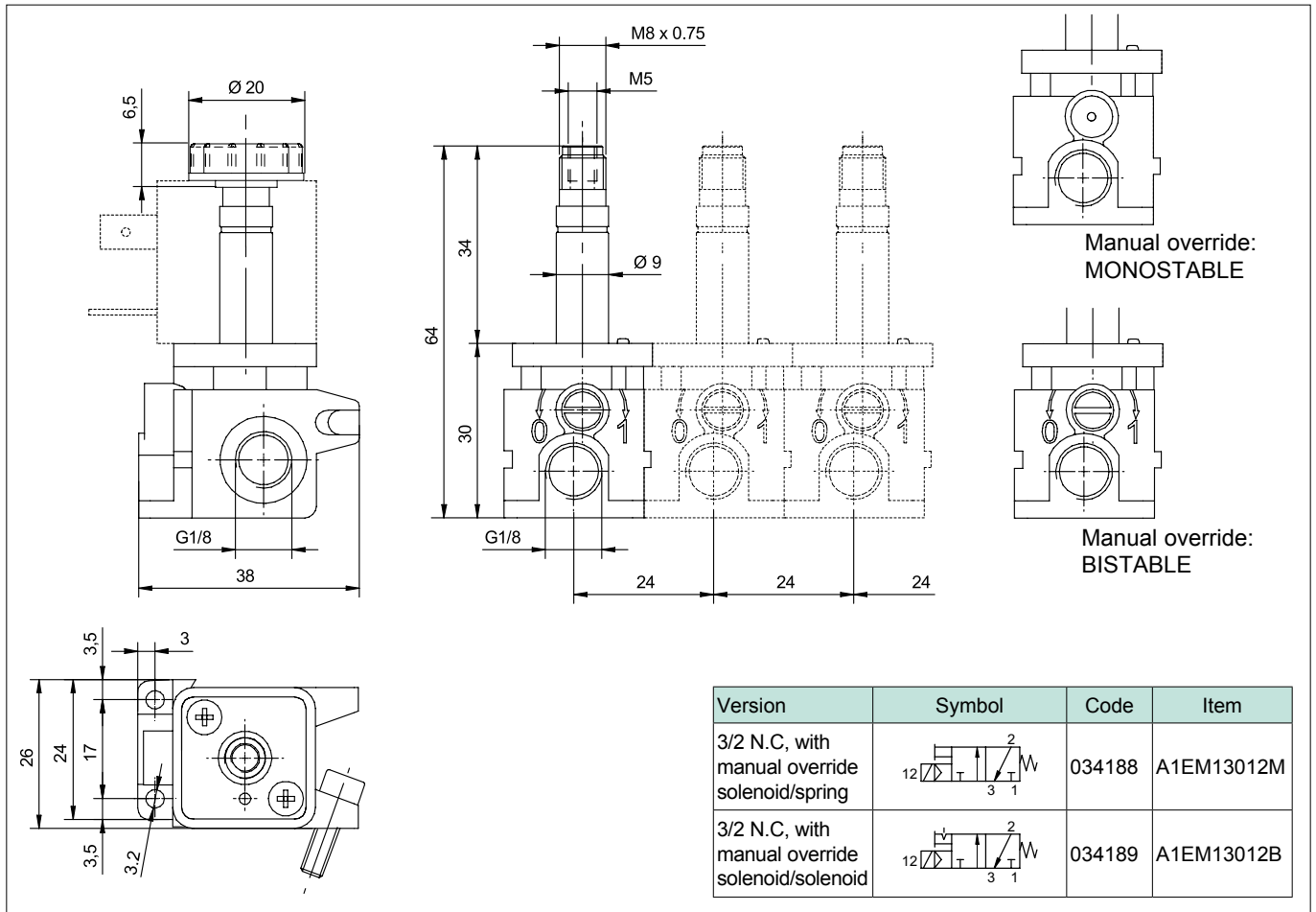
Coils and connectors are to be ordered separately.
 For the coils type ASA12... see page 2.200.1
 For the connectors type A122... see page 2.210.20

Options	Suffix
Low temperature seals -25 ÷ +70°C	BT
Seals FKM max 150°C	V

Code key

Series	Actuation	Size	Function	Orifice	Manual override
A1	EM = electrical modular	1 = 1/8"	30 = 3/2 NC	12 = Ø1.2	M = monostable B = bistable

Technical data	
Fluid	Compressed filtered air, min. 5µm, with or without lubrication.
Pressure range	0 ÷ 10 bar
Temperature range	-10°C ÷ +60°C
Orifice	1,2 mm
Flow	29 NI/min at 6 bar at ΔP 1 bar
Weight	100 g
Mounting	In any position
Manual override	Monostable (M) - Bistable (B)
Materials	Base: Zinc alloy die cast Tube: Brass Cores: Steel AISI specific Springs: Steel Manual override: Nickel-plated brass Locking nut: Plastic Screws: Zinc plated steel



New



Standard executions			
Version	Symbol	Code	Item
3/2 NC - 24VDC		036000	A230A
3/2 NC - 12VDC		036030	A230B
3/2 NA - 24VDC		036001	A231A
3/2 NA - 12VDC		036031	A231B
3/2 solenoid/solenoid - 24VDC		036002	A232A
3/2 solenoid/solenoid - 12VDC		036032	A232B
2-3/2 NC-NA - 24VDC		036040	A233A
2-3/2 NC-NC - 24VDC		036041	A234A
2-3/2 NA-NA - 24VDC		036042	A235A
5/2 solenoid/spring - 24VDC		036003	A250A
5/2 solenoid/spring - 12VDC		036033	A250B
5/2 solenoid/solenoid - 24VDC		036004	A251A
5/2 solenoid/solenoid - 12VDC		036034	A251B
5/3 CC - 24VDC		036005	A270A
5/3 CC - 12VDC		036035	A270B
5/3 CA - 24VDC		036006	A271A
5/3 CA - 12VDC		036036	A271B
5/3 CP - 24VDC		036007	A272A
5/3 CP - 12VDC		036037	A272B

Series of spool valves, for multi-pole connection on island sub-base.

This series of modern valves are innovative and highly performing:

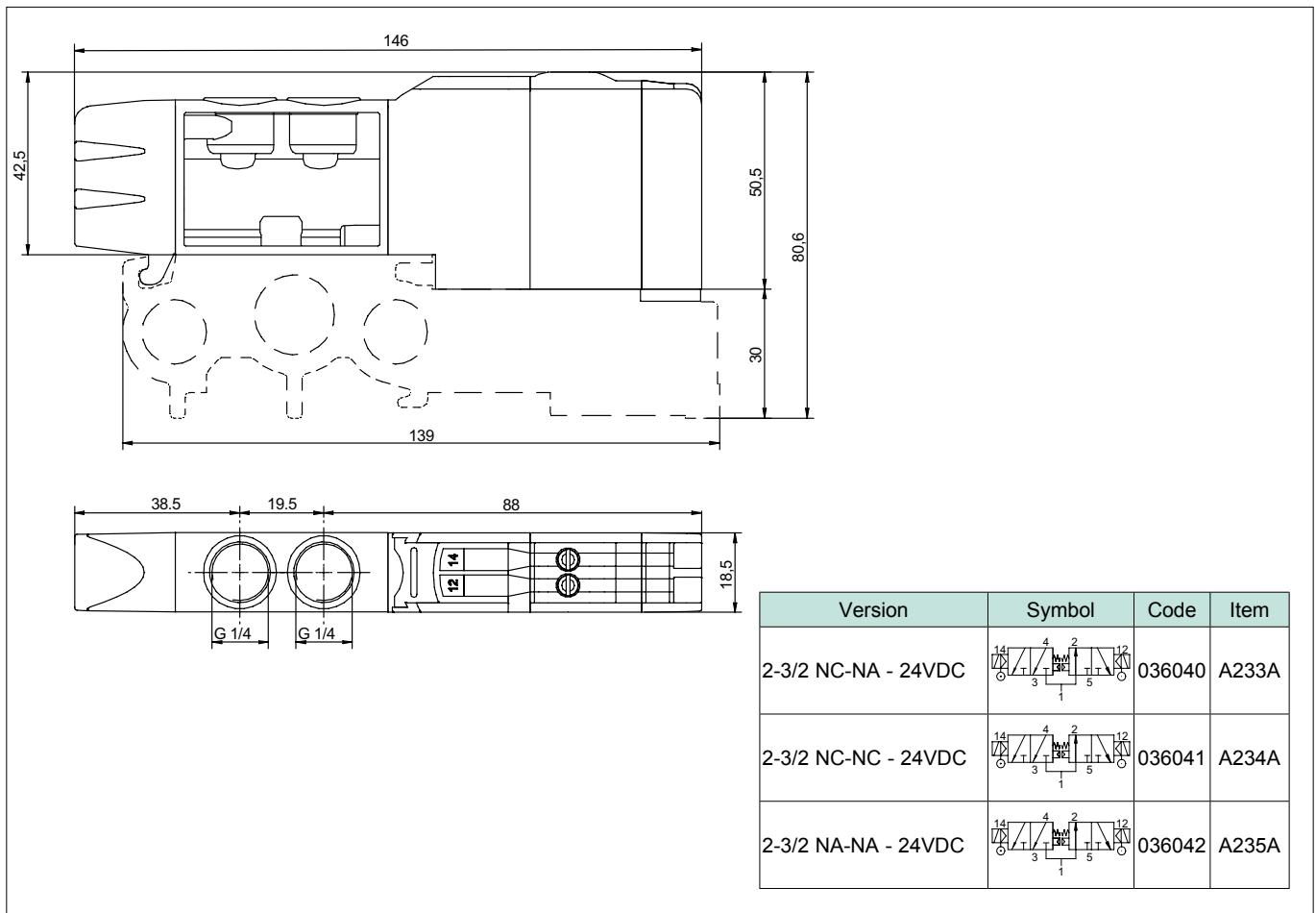
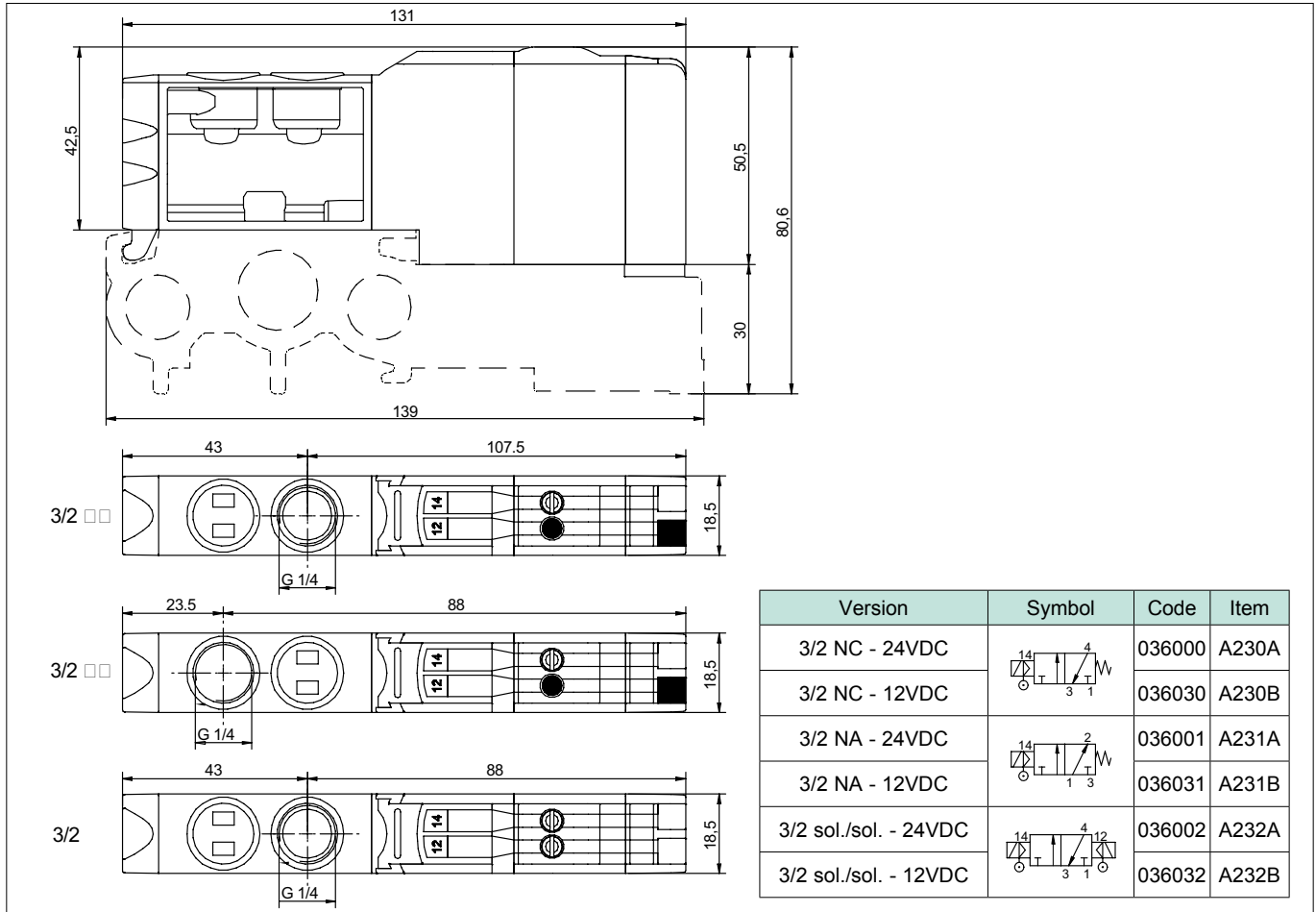
- With reduced overall dimensions and high flow rates;
- Electric pilots on solenoid / solenoid version are both on same side;
- Coils with low power consumption;
- Possibility of feeding with different pressures different valves (by integrating a membrane module within the base);
- Can be set for separate internal feeding;
- Fast and practical assembly: each valve, even if in an intermediate position, can be easily replaced by individually operating on such valve only;
- "Push" manual override, spring return and two position;
- With LED.

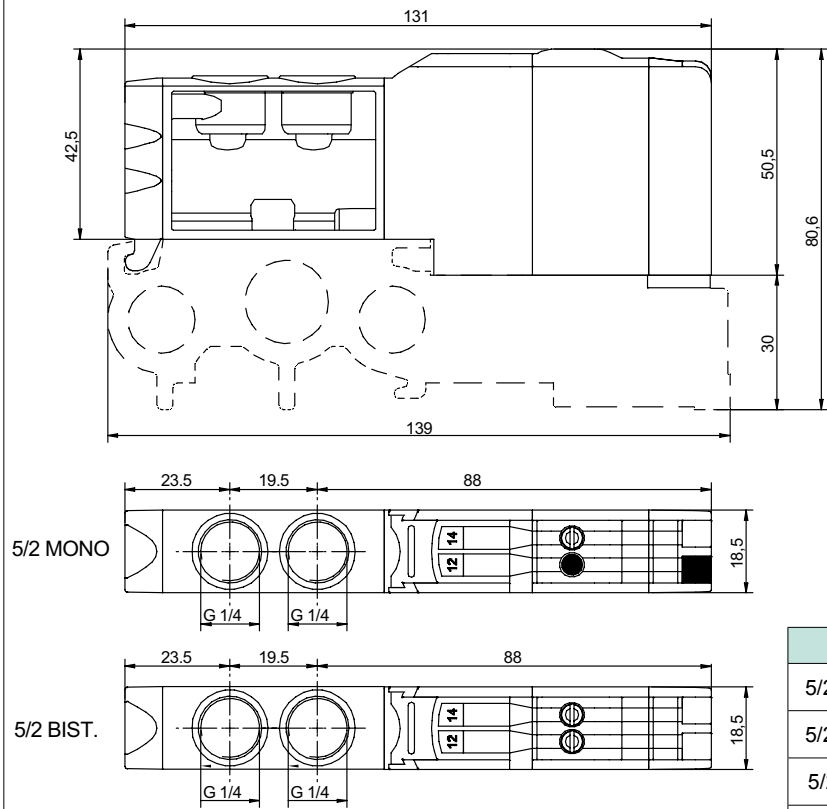
For bases and accessories
For configurations

see page 2.105.4
see page 2.105.7

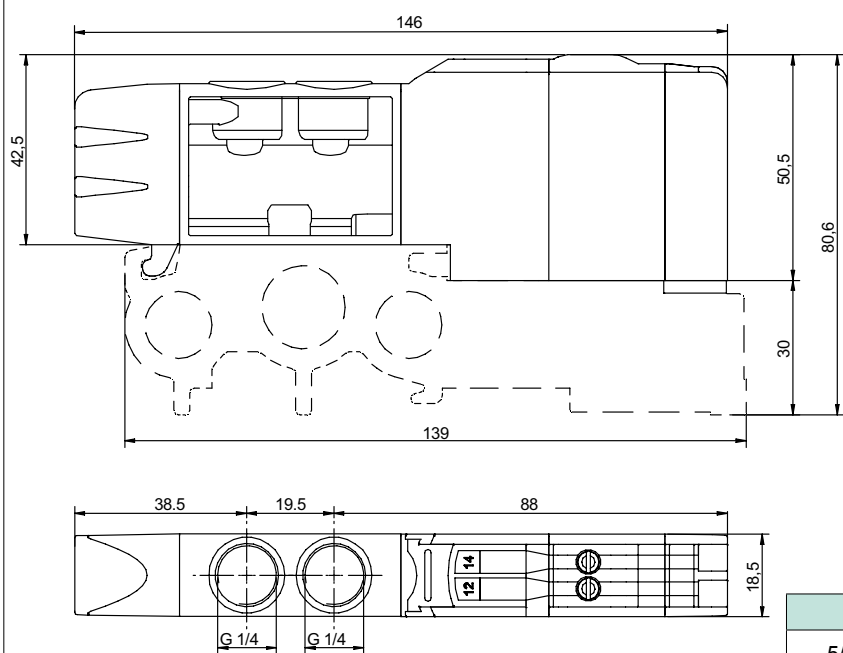
Series	Function	Voltage
A2	30 = 3/2 NC 31 = 3/2 NA 32 = 3/2 solenoid/solenoid 33 = 2-3/2 NC-NA 34 = 2-3/2 NC-NC 35 = 2-3/2 NA-NA 50 = 5/2 solenoid/spring 51 = 5/2 solenoid/solenoid	70 = 5/3 CC 71 = 5/3 CA 72 = 5/3 CP
		A = 24VDC B = 12VDC

Technical data			
Fluid	Compressed filtered air with or without lubrication. Lubrication, if started, must be continued.		
Pressure range	Max 7 bar		
Temperature range	-5 °C ÷ + 50°C		
Minimum piloting pressure	Monostable: 2,5 bar	Bistable: 1 bar	3 positions: 2,5 bar
Orifice	7 mm		
Flow	850 l/min at 6 bar with ΔP 1 bar		
Mounting	In any position		
Manual override	Push mono and two stable positions		
Electric control	24 VDC (standard)		12 VDC (on request)
Electrical consumption	1.5 W		1.4 W
Duty cycle	100% ED		100% ED
LED	Red		Red
Materials	Body:	Die-cast painted aluminium	
	Covers:	PBT	
	Spool:	Hard aluminium anodized	
	Distancers:	Aluminium	
	Seals:	Hydrogenated Nitrile Butadiene Rubber (HNBR)	





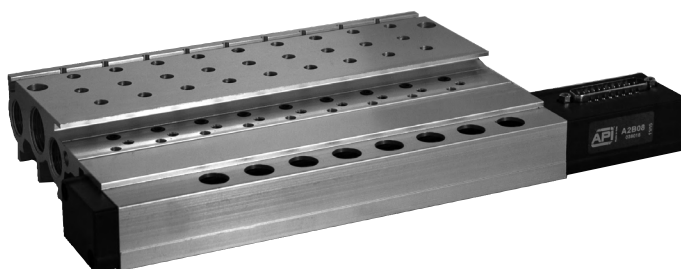
Version	Symbol	Code	Item
5/2 sol./spring - 24VDC		036003	A250A
5/2 sol./spring - 12VDC		036033	A250B
5/2 sol./sol. - 24VDC		036004	A251A
5/2 sol./sol. - 12VDC		036034	A251B



Version	Symbol	Code	Item
5/3 CC - 24VDC		036005	A270A
5/3 CC - 12VDC		036035	A270B
5/3 CA - 24VDC		036006	A271A
5/3 CA - 12VDC		036036	A271B
5/3 CP - 24VDC		036007	A272A
5/3 CP - 12VDC		036037	A272B

Standard executions		
Version	Code	Item
Base 4 positions (min.)	036011	A2B04
Base 5 positions	036012	A2B05
Base 6 positions	036013	A2B06
Base 7 positions	036014	A2B07
Base 8 positions	036015	A2B08
Base 9 positions	036016	A2B09
Base 10 positions	036017	A2B10
Base 11 positions	036018	A2B11
Base 12 positions	036019	A2B12

New



Version	A	B
Base 4 positions (min.)	203.5	127.5
Base 5 positions	223.5	147.5
Base 6 positions	243.5	167.5
Base 7 positions	263.5	187.5
Base 8 positions	283.5	207.5
Base 9 positions	303.5	227.5
Base 10 positions	323.5	247.5
Base 11 positions	343.5	267.5
Base 12 positions	363.5	287.5

Sub-bases with fix position for A2 series valves, with standard 25 poles SUB-D connector, can be mounted on DIN EN 50 035 guides.

On each base, one position on the opposite side of the SUB-D connector is dedicated to the module for the external piloting of the valves.

The main feeding of the valves (1) can be divided by applying an internal diaphragm, in case feeding with two different pressures should be required.

Likewise, the exhausts (3 – 5) can be divided with the suitable diaphragms.

The base is mainly composed by aluminium, anodized to grant last in time.

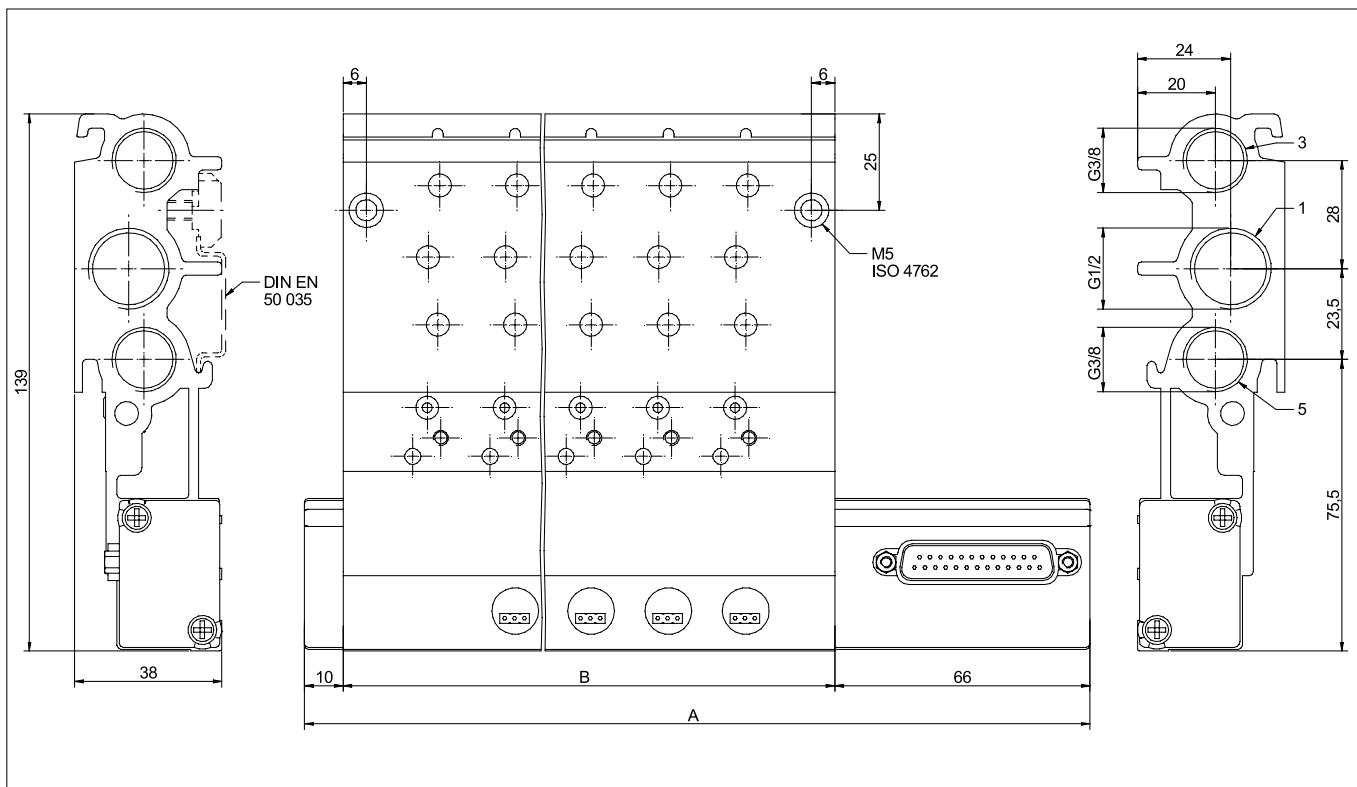
The covers in PBT glass charged, are sealed with an internal o-ring to protect the electrical circuit from external atmospheric agents.

For the external pilot modules

see page 2.105.5

For the feeding / exhausts diaphragms

see page 2.105.6

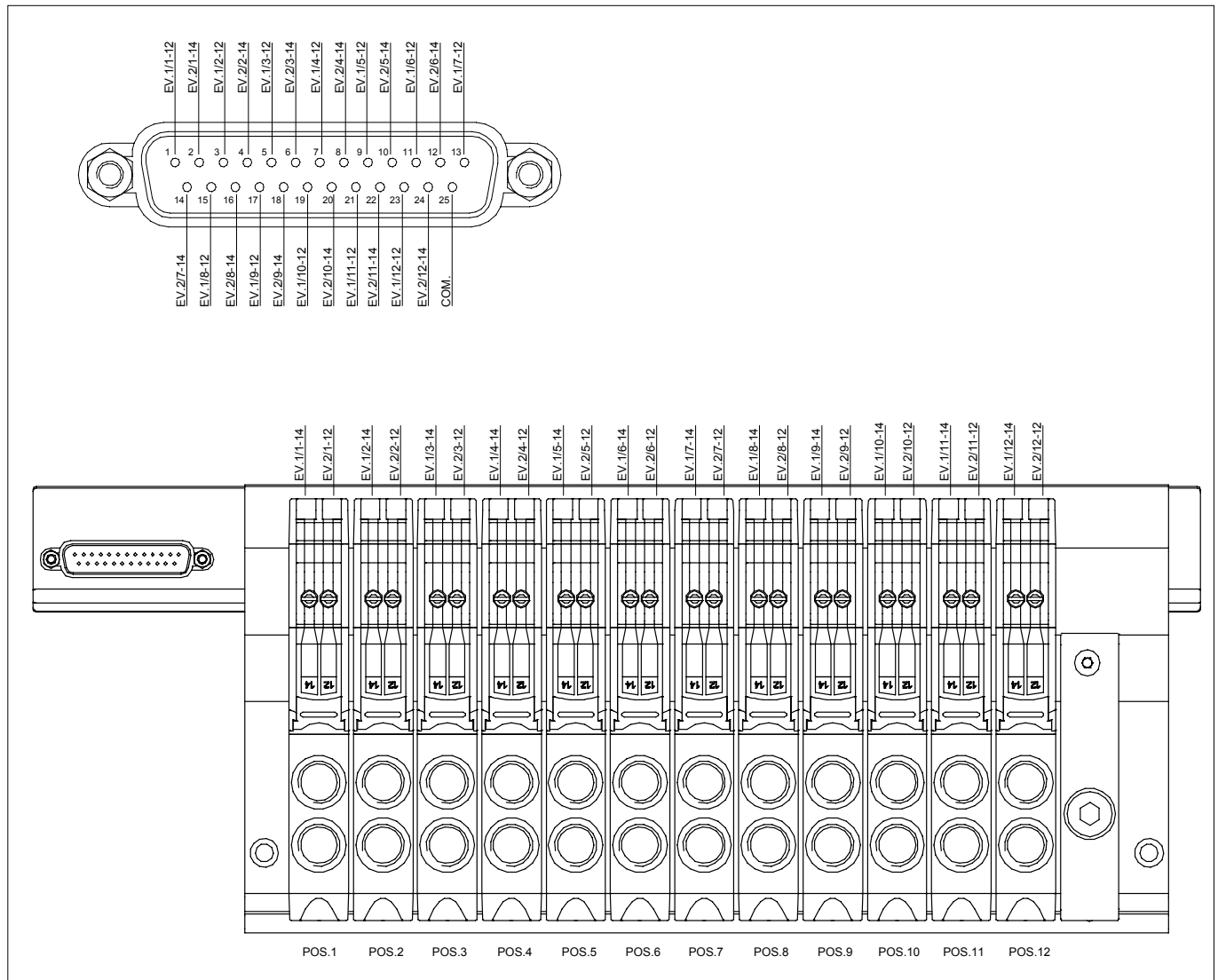


Solenoid valves series A2

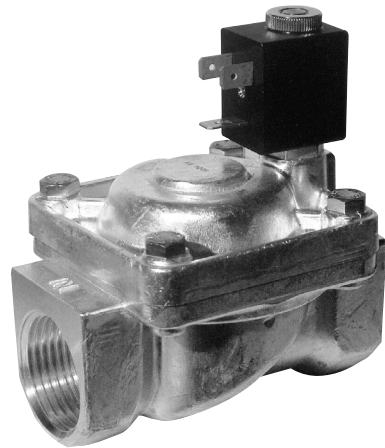
Electric scheme of multiple connector 25 poles

The transferring of the signals from the PLC to the valves is through a multi-pole connector capable of manage 24 signals. Such signals are distributed to the valves following the scheme hereunder. Peculiarities of these valves are:

- Simplicity of the electrical connection with each valve configuration;
- Type of valve will not limit the maximum number of valves applicable;
- Every type of valve can replace another maintaining the same electrical connection.



Standard executions		
Version	Symbol	Type
With NBR seals (-10 °C ÷ + 90 °C)		AEN22
With FKM seals (-10 °C ÷ + 130 °C)		AEV22
With EPDM seals (+ 140 °C)		AEP22



Connections	
1/4" = 014	1" = 100
3/8" = 038	1 1/4" = 114
1/2" = 012	1 1/2" = 112
3/4" = 034	2" = 200

Series of indirectly operated valves for fluids and compressed air, servoassisted with diaphragm.
Coils and connectors are to be ordered separately.

For the coils type ASA33/ASA32 see from page 2.200.20.
For the connectors type A122/A182 see page 2.210.20/2.210.30.

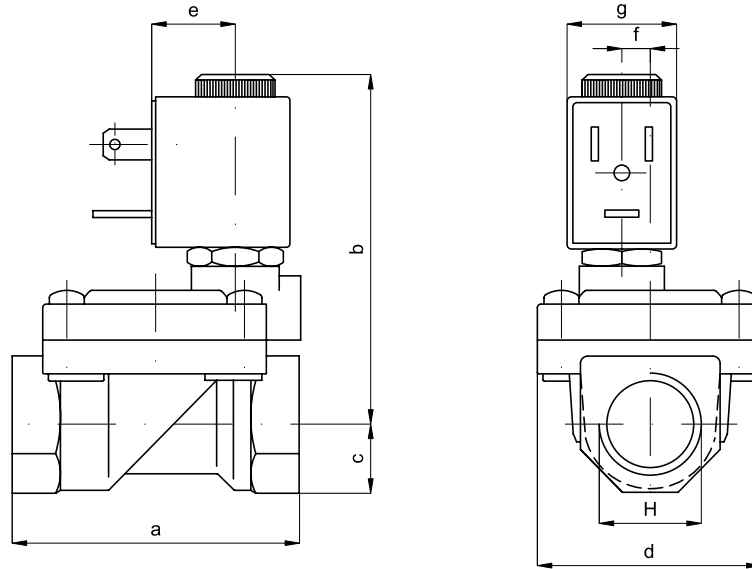
How to order: AEN22100

AEN22	100
Type	Port

For order codes see the table below.

Technical data	
Fluid	Compressed filtered air with or without lubrication. Lubrication, if started, must be continued.
Pressure range	25 bar
Fluid maximum viscosity	25 cSt (mm ² /s)
Orifice	See the table below
Flow	See the table below
Mounting	Better with the coil high
Materials	Body: Brass Seals: NBR - FKM - EPDM Internal parts: Stainless steel

Connections	Orifice mm	Flow m ³ /h	Differential pressure bar			Power			Coil type	Order codes		
			Min	Max		AC (VA)		DC (Watt)		NBR	FKM	EPDM
				AC	DC	Inrush	Rating					
1/4"	10	1,5	0,15	15	15	12	8	6,5	ASA33	035501	035511	035521
3/8"	12	2	0,15	15	15	12	8	6,5	ASA33	035502	035512	035522
1/2"	12	2,2	0,15	15	15	12	8	6,5	ASA33	035503	035513	035523
3/4"	18	5,2	0,15	13	13	12	8	6,5	ASA33	035504	035514	035524
1"	24	10,2	0,15	10	10	12	8	6,5	ASA33	035505	035515	035525
1 1/4"	38	18	0,15	10	10	20	15	10	ASA32	035506	035516	035526
1 1/2"	38	21	0,15	10	10	20	15	10	ASA32	035507	035517	035527
2"	50	36	0,15	10	10	20	15	10	ASA32	035508	035518	035528



H	a	b	c	d	e	f	g	Weight kg.
1/4"	47	64	11	32	16	-	22	0,25
3/8"	60	73	14	45	16	6	22	0,45
1/2"	60	73	14	45	16	6	22	0,40
3/4"	75	75	18	55	20	8,5	22	0,66
1"	96	85	20	72	32	-	22	1,20
1" 1/4	144	95	28	102	45	-	30	3,20
1" 1/2	144	95	28	102	45	-	30	2,90
2"	152	119	35	119	48	-	30	4,50