

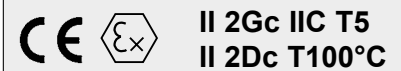
Standard executions			
Version	Symbol	Code	Item
3/2 NC side lever, 1 position		034071	A1MA130LL
3/2 side lever, 2 positions		034070	A1MA132LL
3/2 top lever, 2 positions		034082	A1MA132LT
3/2 NC push-pull, 1 position		034083	A1MA130TT
3/2 push-pull, 2 positions		034084	A1MA132TT
3/2 NC red head push button, 1 position		034085	A1MA130FR
3/2 NC green head push button, 1 position		034086	A1MA130FV
3/2 NC black head push button, 1 position		034087	A1MA130FN
3/2 NC red recessed button, 1 position		034088	A1MA130BR
3/2 NC green recessed button, 1 position		034089	A1MA130BV
3/2 NC black recessed button, 1 position		034090	A1MA130BN



Series of spool valves, with static seals, high flow, for panel or sub-base mounting.

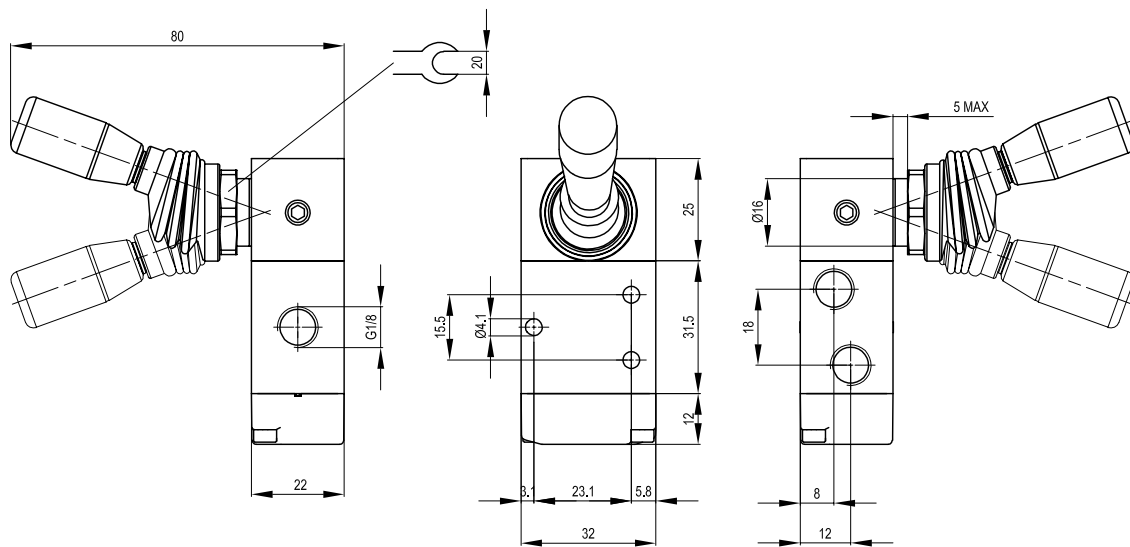
Code key

Series	Actuation	Size	Function	Actuation
A1	MA=Manuale	1 = 1/8" 2 = 1/4"	30 = 3/2 NC spring return 32 = 3/2 two stable positions 50 = 5/2 spring return 51 = 5/2 two stable positions 70 = 5/3 CC spring return 71 = 5/3 CA spring return 72 = 5/3 CP spring return 73 = 5/3 CC 3 positions 74 = 5/3 CA 3 positions 75 = 5/3 CP 3 positions	LL = side lever LT = top lever TT = push-pull FR = red head push button FV = green head push button FN = black head push button BR = red recessed button BV = green recessed button BN = black recessed button

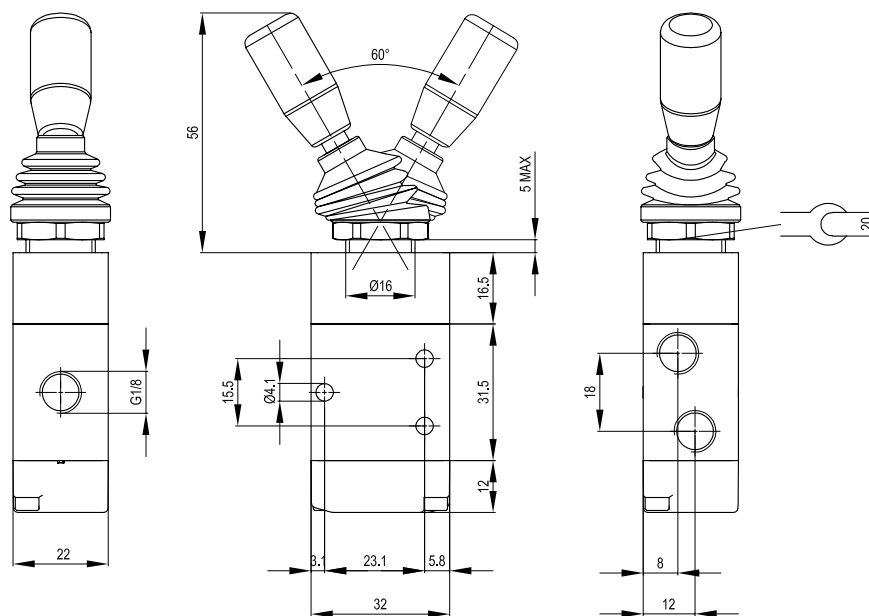


On request, they can be supplied according to 94/9/EC - ATEX

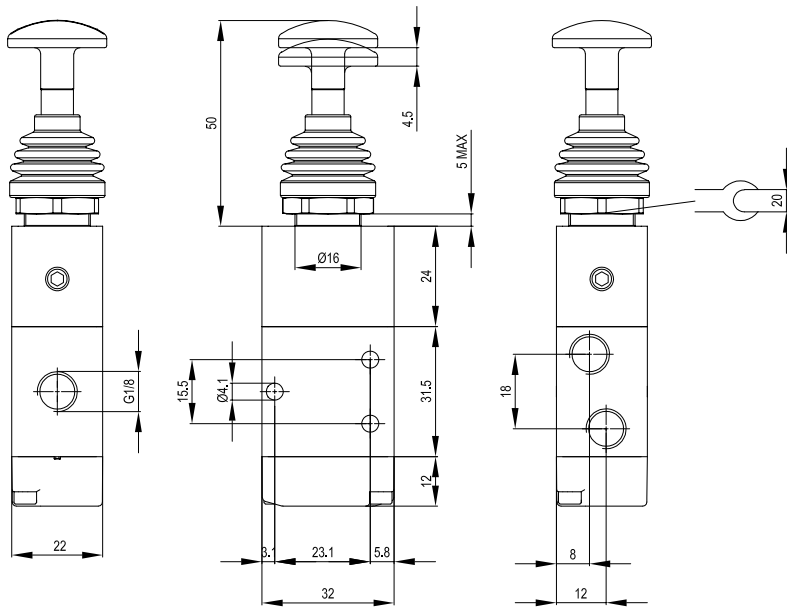
Technical data	
Fluid	Compressed filtered air with or without lubrication. Lubrication, if started, must be continued.
Pressure range	0 ÷ 10 bar
Temperature range	-10 °C ÷ + 80°C
Orifice	6,5 mm
Flow	650 NI/min at 6 bar with ΔP 1 bar
Mounting	In any position
Materials	Body: Anodised aluminium Cover: Anodised aluminium Bottom plates: Delrin 500 Spool: Hard aluminium anodized Distancers: Fortron 1140 L4 Seals: Hydrogenated Nitrile Butadiene Rubber (HNBR) Lever: Steel



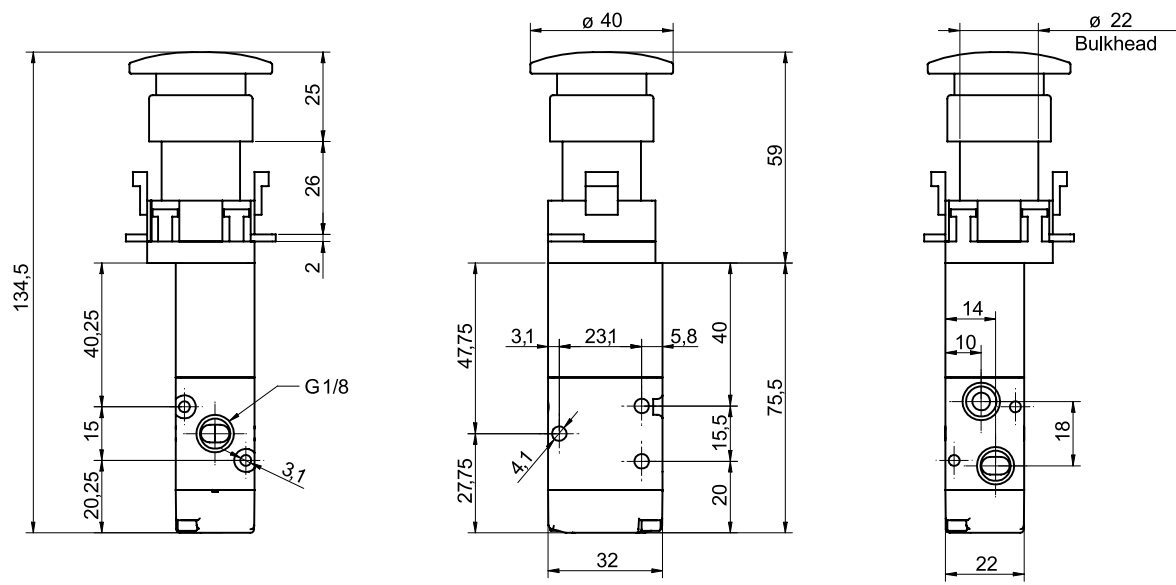
Version	Symbol	Code	Item
3/2 NC side lever, 1 position		034071	A1MA130LL
3/2 side lever, 2 positions		034070	A1MA132LL



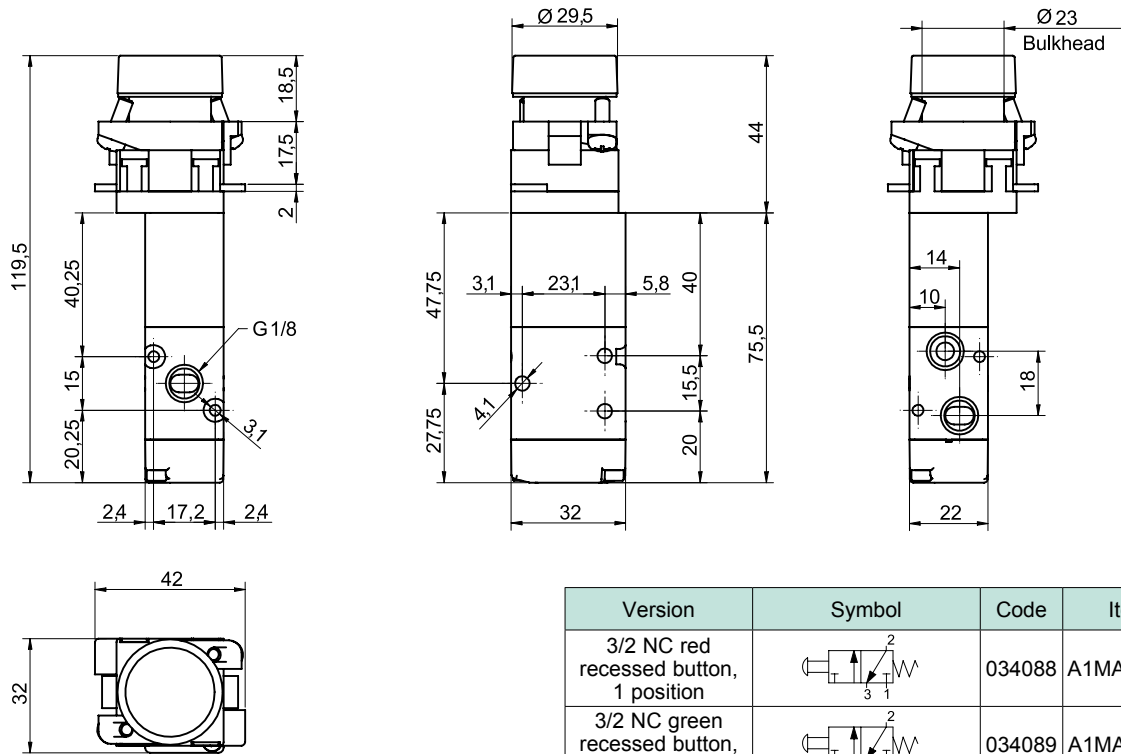
Version	Symbol	Code	Item
3/2 top lever, 2 positions		034082	A1MA132LT



Version	Symbol	Code	Item
3/2 NC push-pull, 1 position		034083	A1MA130TT
3/2 push-pull, 2 positions		034084	A1MA132TT



Version	Symbol	Code	Item
3/2 NC red head push-button, 1 position		034085	A1MA130FR
3/2 NC green head push-button, 1 position		034086	A1MA130FV
3/2 NC black head push-button, 1 position		034087	A1MA130FN



Version	Symbol	Code	Item
3/2 NC red recessed button, 1 position		034088	A1MA130BR
3/2 NC green recessed button, 1 position		034089	A1MA130BV
3/2 NC black recessed button, 1 position		034090	A1MA130BN

Standard executions			
Version	Symbol	Code	Item
5/2 side lever 1 position		034064	A1MA150LL
5/2 side lever 2 positions		034063	A1MA151LL
5/3 side lever 1 position		034062	A1MA170LL
5/3 side lever open centres, 1 position		034066	A1MA171LL
5/3 side lever pressurised centres, 1 position		034065	A1MA172LL
5/3 side lever closed centres, 3 positions		034068	A1MA173LL
5/3 side lever open centres, 3 positions		034067	A1MA174LL
5/3 side lever pressurised centres, 3 positions		034069	A1MA175LL
5/2 top lever 2 positions		034091	A1MA151LT
5/2 push-pull 1 position		034092	A1MA150TT
5/2 push-pull 2 positions		034093	A1MA151TT
5/2 red head push button, 1 position		034094	A1MA150FR
5/2 green head push button, 1 position		034095	A1MA150FV
5/2 black head push button, 1 position		034096	A1MA150FN
5/2 red recessed button, 1 position		034097	A1MA150BR
5/2 green recessed button, 1 position		034098	A1MA150BV
5/2 black recessed button, 1 position		034099	A1MA150BN



Series of spool valves, with static seals, high flow, for panel or sub-base mounting.

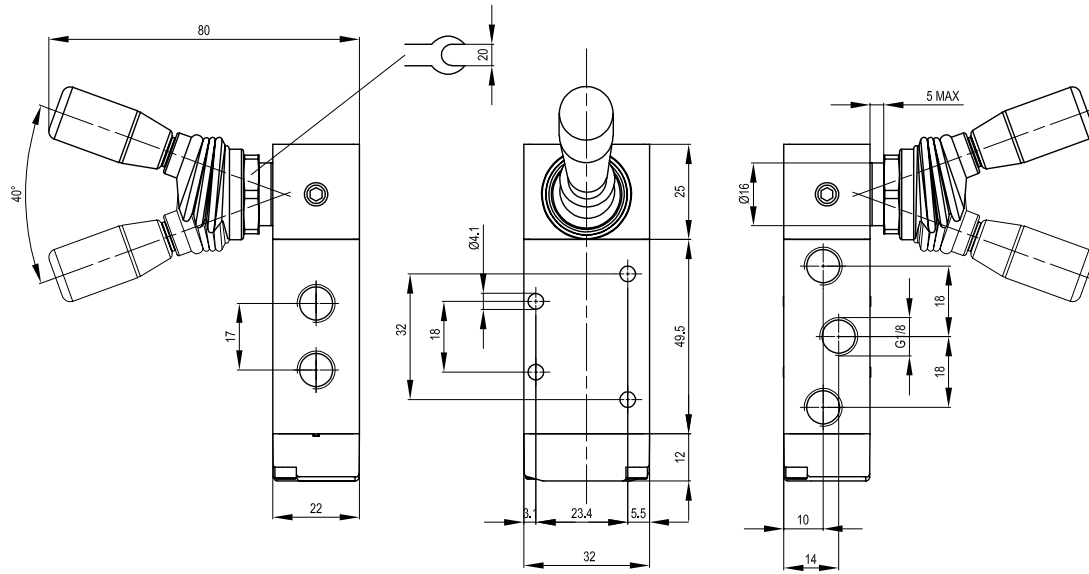
Code key

Series	Actuation	Size	Function	Actuation
A1	MA=Manual	1 = 1/8" 2 = 1/4"	30 = 3/2 NC spring return 32 = 3/2 two stable positions 50 = 5/2 spring return 51 = 5/2 two stable positions 70 = 5/3 CC spring return 71 = 5/3 CA spring return 72 = 5/3 CP spring return 73 = 5/3 CC 3 positions 74 = 5/3 CA 3 positions 75 = 5/3 CP 3 positions	LL = side lever LT = top lever TT = push-pull FR = red head push button FV = green head push button FN = black head push button BR = red recessed button BV = green recessed button BN = black recessed button

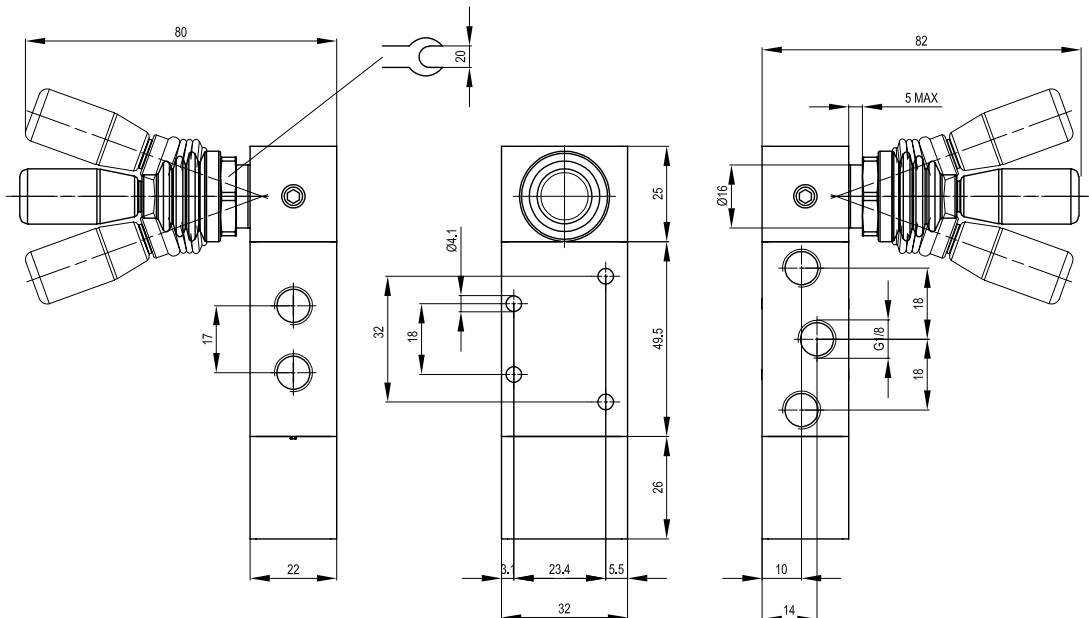


On request, they can be supplied according to 94/9/EC - ATEX

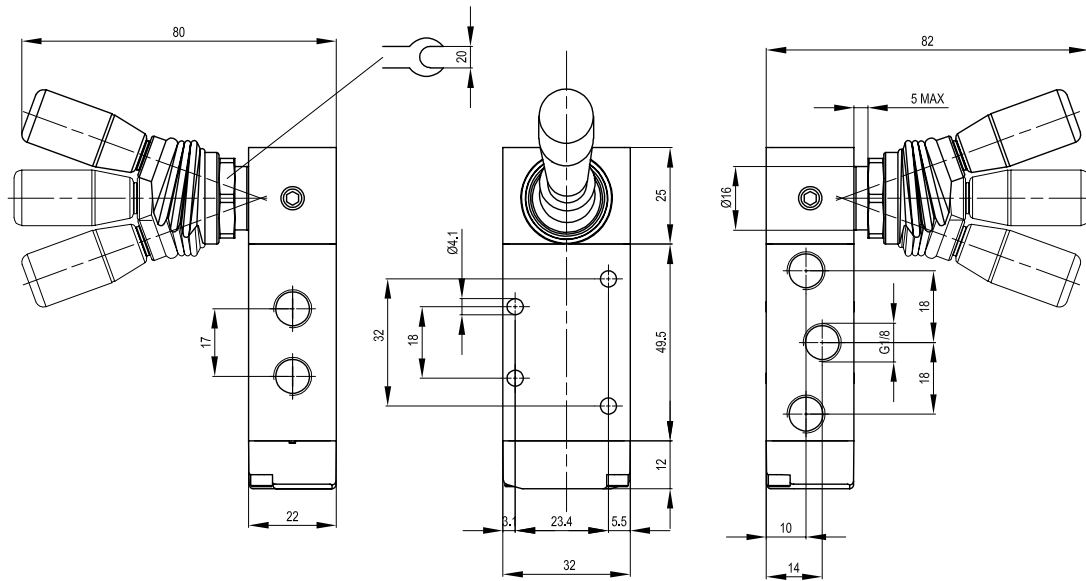
Technical data	
Fluid	Compressed filtered air with or without lubrication. Lubrication, if started, must be continued.
Pressure range	0 ÷ 10 bar
Temperature range	-10 °C ÷ + 80 °C
Orifice	6,5 mm
Flow	650 NI/min at 6 bar with ΔP 1 bar
Mounting	In any position
Materials	Body: Aluminium anodized Cover: Aluminium anodized Bottom plates: Delrin 500 Spool: Chemical nickel plated aluminium Distancers: Fortron 1140 L4 Seals: Hydrogenated Nitrile Butadiene Rubber (HNBR) Lever: Steel



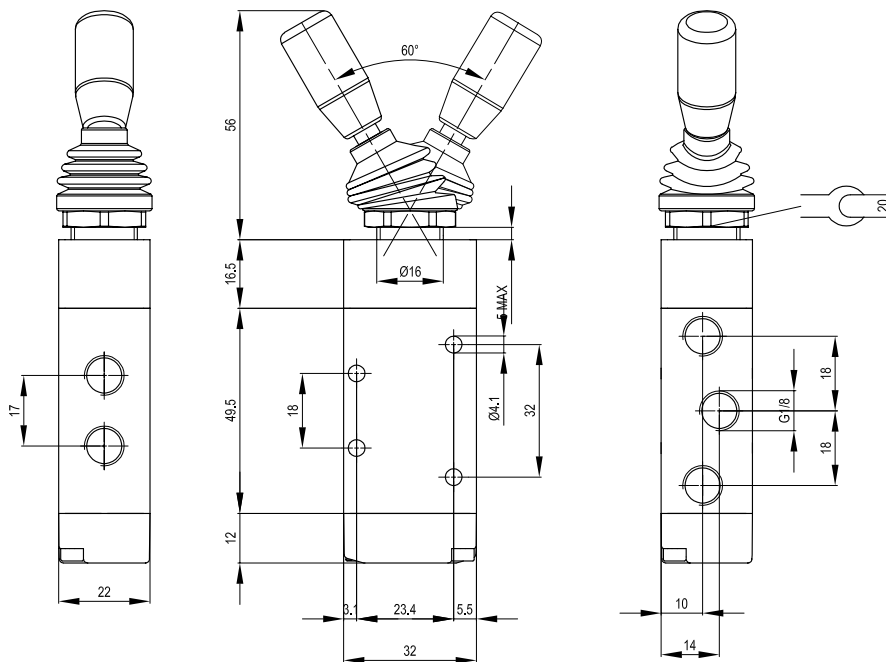
Version	Symbol	Code	Item
5/2 side lever, 1 position		034064	A1MA150LL
5/2 side lever, 2 positions		034063	A1MA151LL



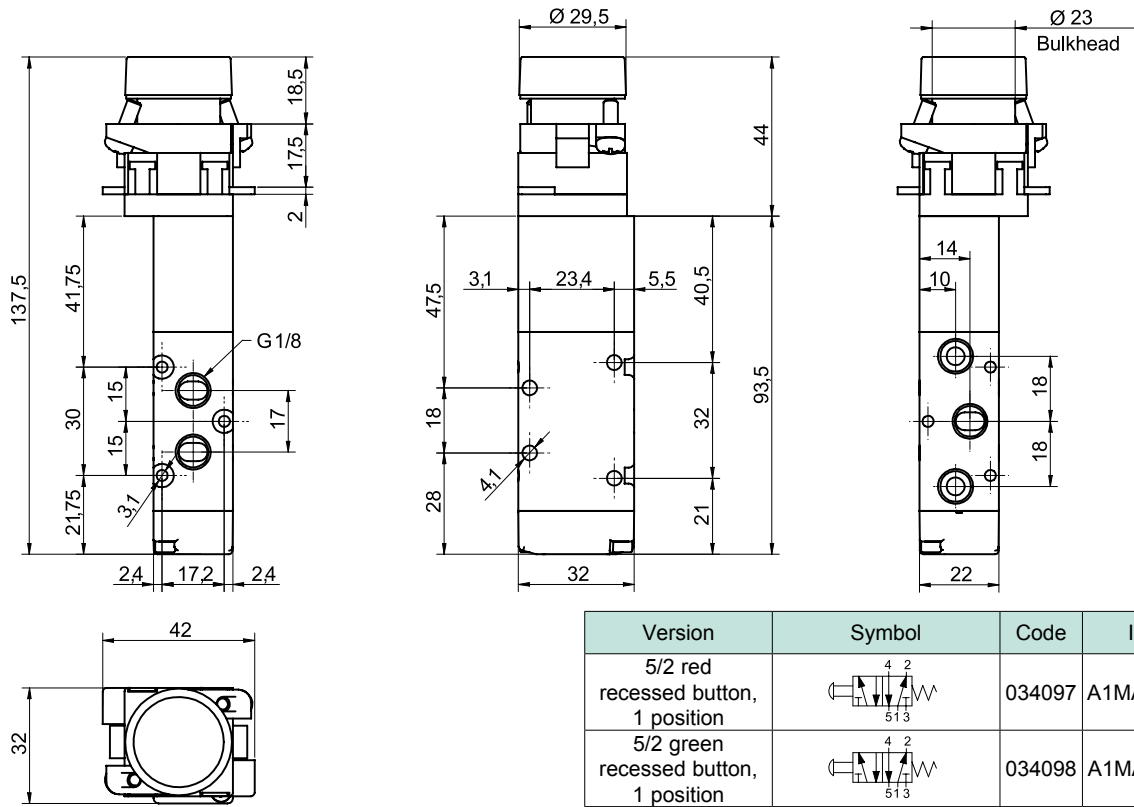
Version	Symbol	Code	Item
5/3 side lever, closed centres, 1 position		034062	A1MA170LL
5/3 side lever, open centres, 1 position		034066	A1MA171LL
5/3 side lever, pressurised centres, 1 position		034065	A1MA172LL



Version	Symbol	Code	Item
5/3 side lever, closed centres, 3 positions		034068	A1MA173LL
5/3 side lever, open centres, 3 positions		034067	A1MA174LL
5/3 side lever, pressurised centres, 3 positions		034069	A1MA175LL



Version	Symbol	Code	Item
5/2 top lever, 2 positions		034091	A1MA151LT



Version	Symbol	Code	Item
5/2 red recessed button, 1 position		034097	A1MA150BR
5/2 green recessed button, 1 position		034098	A1MA150BV
5/2 black recessed button, 1 position		034099	A1MA150BN

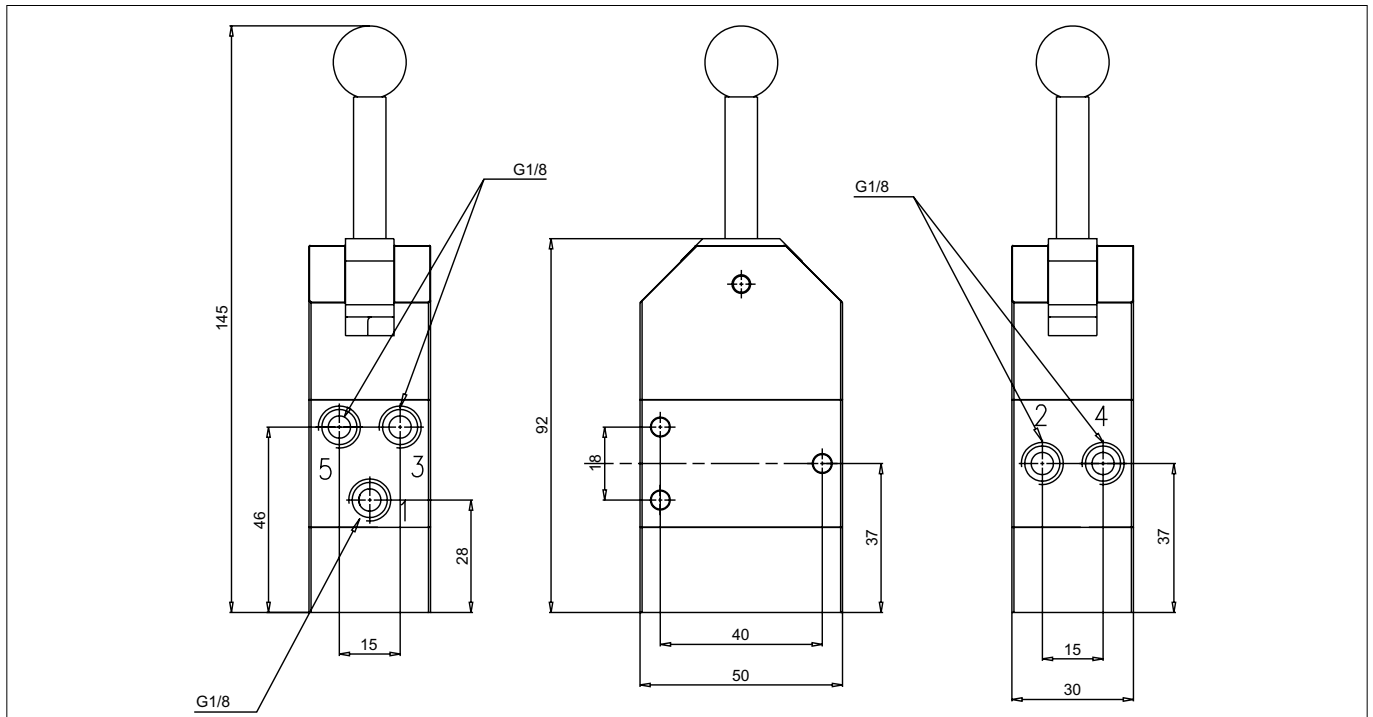
Standard executions			
Version	Symbol	Code	Item
5/3 , top lever open centres spring return		034662	A1MA171LT
5/3 , top lever open centres 3 position		034663	A1MA174LT

Code key

Series	Actuation	Size	Function	Actuation
A1	MA=Manual	1 = 1/8"	71 = 5/3 CA spring return 74 = 5/3 CA 3 positions	LT = top lever



Series of spool valves, with static seals, high flow.



Technical data	
Fluid	Compressed filtered air with or without lubrication. Lubrication, if started, must be continued.
Pressure range	0 ÷ 10 bar
Temperature range	-10 °C ÷ + 80 °C
Orifice	6,5 mm
Flow	650 NI/min at 6 bar with ΔP 1 bar
Mounting	In any position
Materials	Body: Aluminium anodized Cover: Aluminium anodized End cap: Aluminium anodized Spool: Chemical nickel plated aluminium Distancers: Fortron 1140 L4 Seals: Hydrogenated Nitrile Butadiene Rubber (HNBR) Lever: Steel

Standard executions			
Version	Symbol	Code	Item
3/2 NC side lever, 1 position		034077	A1MA230LL
3/2 side lever, 2 positions		034076	A1MA232LL
3/2 top lever, 2 positions		034100	A1MA232LT
3/2 NC push-pull, 1 position		034103	A1MA230TT
3/2 push-pull, 2 positions		034104	A1MA232TT



Series of spool valves, with static seals, high flow, for panel or sub-base mounting.



II 2Gc IIC T5
II 2Dc T100°C

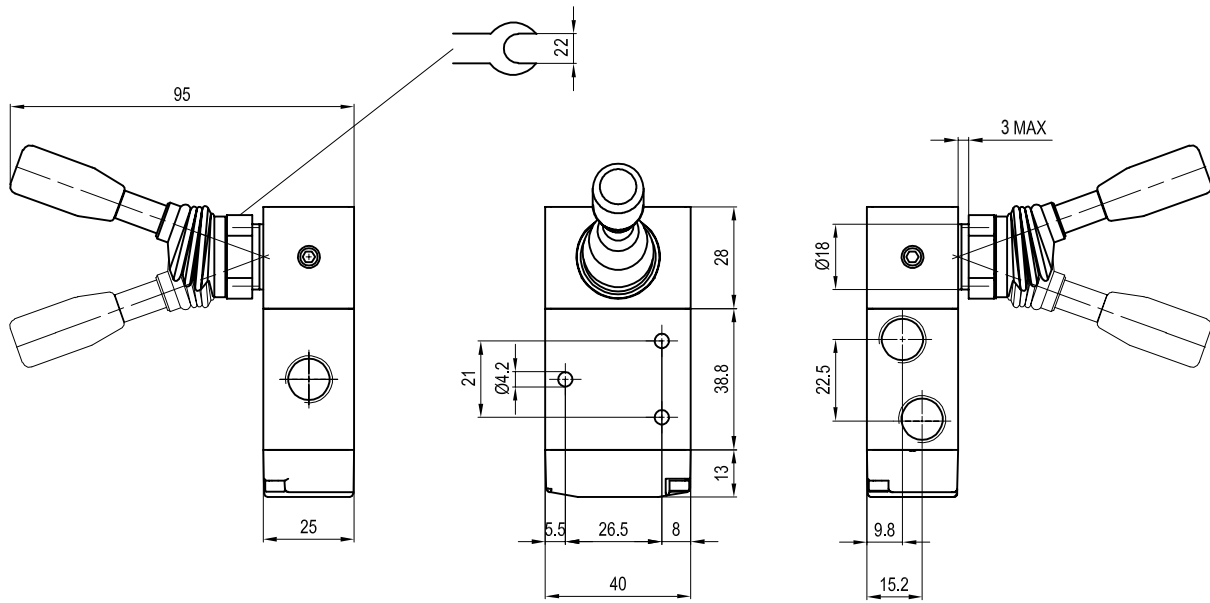
On request, they can be supplied according to 94/9/EC - **ATEX**

Code key

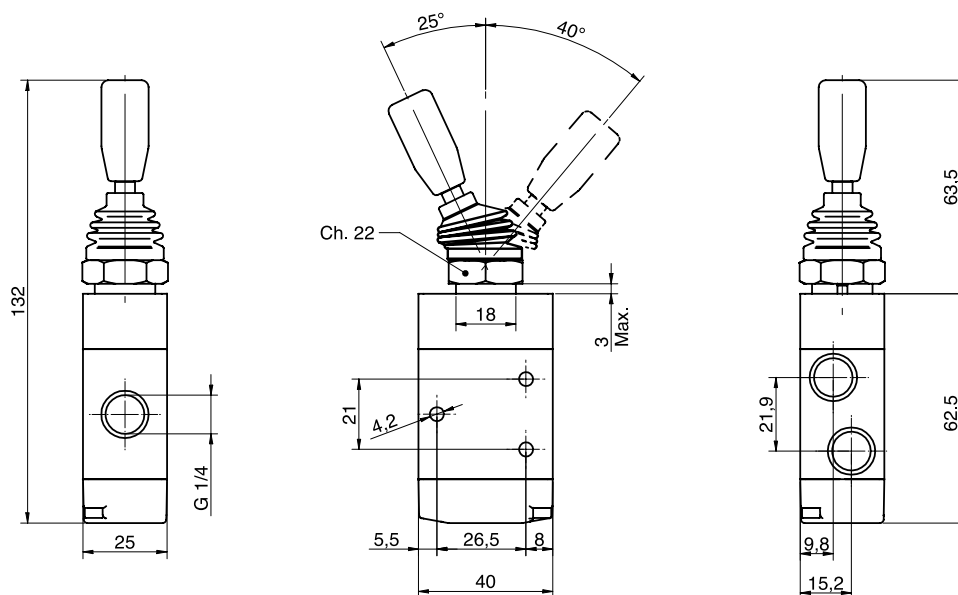
Series	Actuation	Size	Function	Actuation
A1	MA=Manual	1 = 1/8" 2 = 1/4"	30 = 3/2 NC spring return 32 = 3/2 two stable positions 50 = 5/2 spring return 51 = 5/2 two stable positions 70 = 5/3 CC spring return 71 = 5/3 CA spring return 72 = 5/3 CP spring return 73 = 5/3 CC 3 positions 74 = 5/3 CA 3 positions 75 = 5/3 CP 3 positions	LL = side lever LT = top lever TT = push-pull FR = red head push botton FV = green head push botton FN = black head push botton BR = red recessed botton BV = green recessed botton BN = black recessed botton

Technical data

Fluid	Compressed filtered air with or without lubrication. Lubrication, if started, must be continued.	
Pressure range	0 ÷ 10 bar	
Temperature range	-10 °C ÷ + 80°C	
Orifice	8 mm	
Flow	1100 NI/min at 6 bar with ΔP 1 bar	
Mounting	In any position	
Materials	Body:	Aluminium anodized
	Cover:	Aluminium anodized
	Bottom plates:	Delrin 500
	Spool:	Chemical nickel plated aluminium
	Distancers:	Fortron 1140 L4
	Seals:	Hydrogenated Nitrile Butadiene Rubber (HNBR)
	Lever:	Steel



Version	Symbol	Code	Item
3/2 NC side lever, 1 position		034077	A1MA230LL
3/2 side lever, 2 positions		034076	A1MA232LL

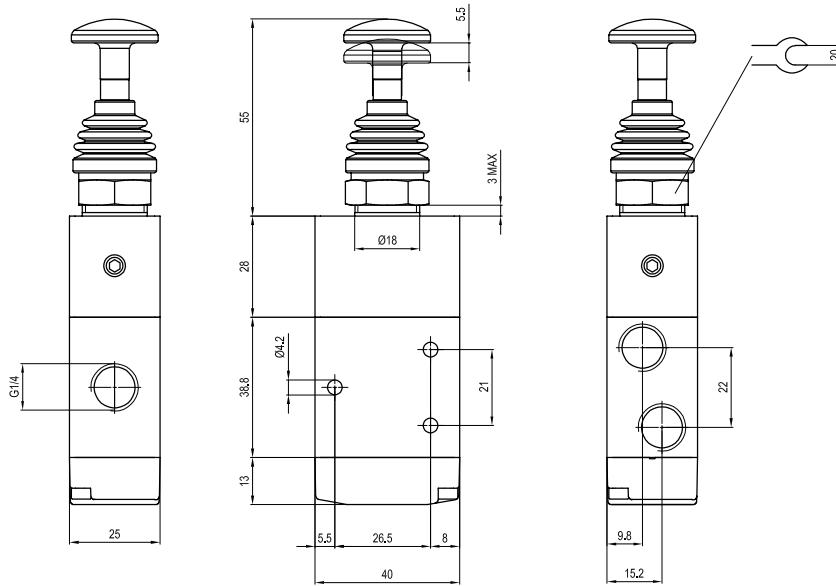


Version	Symbol	Code	Item
3/2 top lever, 2 positions		034100	A1MA232LT



Valves series A1

1/4", 3/2, manually operated



Version	Symbol	Code	Item
3/2 NC push-pull, 1 position		034103	A1MA230TT
3/2 push-pull, 2 positions		034104	A1MA232TT

Standard executions			
Version	Symbol	Code	Item
5/2 side lever 1 position		034078	A1MA250LL
5/2 side lever 2 positions		034079	A1MA251LL
5/3 side lever closed centres, 1 position		034072	A1MA270LL
5/3 side lever open centres, 1 position		034081	A1MA271LL
5/3 side lever pressurised centres, 1 position		034080	A1MA272LL
5/3 side lever closed centres, 3 positions		034075	A1MA273LL
5/3 side lever open centres, 3 positions		034073	A1MA274LL
5/3 side lever pressurised centres, 3 positions		034074	A1MA275LL
5/2 top lever 2 positions		034105	A1MA251LT
5/2 push-pull 1 position		034106	A1MA250TT
5/2 push-pull 2 positions		034107	A1MA251TT



Series of spool valves, with static seals, high flow, for panel or sub-base mounting.

Code key

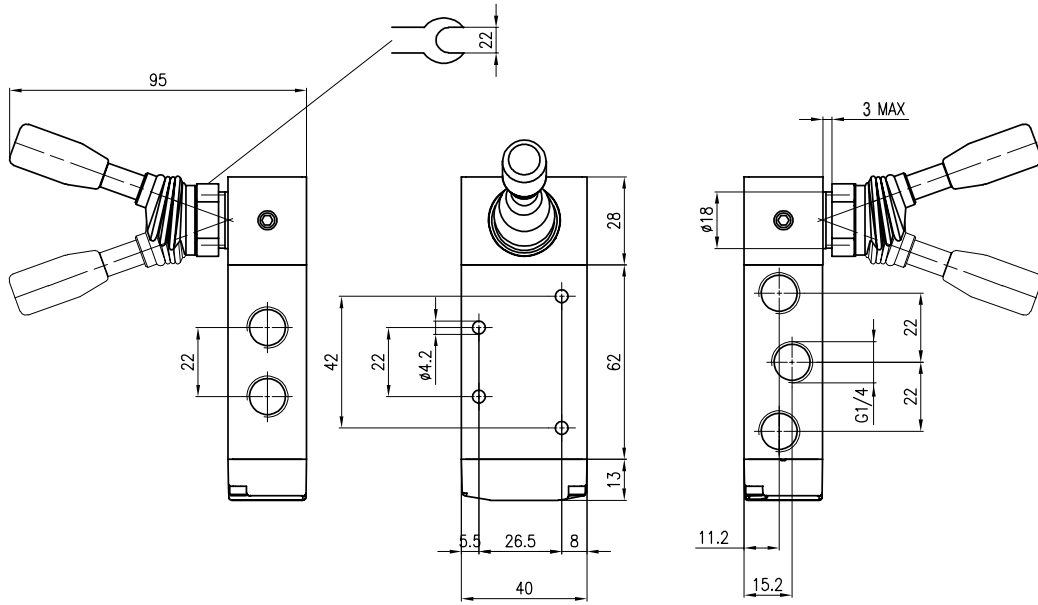
Series	Actuation	Size	Function	Actuation
A1	MA=Manual	1 = 1/8" 2 = 1/4"	30 = 3/2 NC spring return 32 = 3/2 two stable positions 50 = 5/2 spring return 51 = 5/2 two stable positions 70 = 5/3 CC spring return 71 = 5/3 CA spring return 72 = 5/3 CP spring return 73 = 5/3 CC 3 positions 74 = 5/3 CA 3 positions 75 = 5/3 CP 3 positions	LL = side lever LT = top lever TT = push-pull FR = red head push bottom FV = green head push bottom FN = black head push bottom BR = red recessed bottom BV = green recessed bottom BN = black recessed bottom



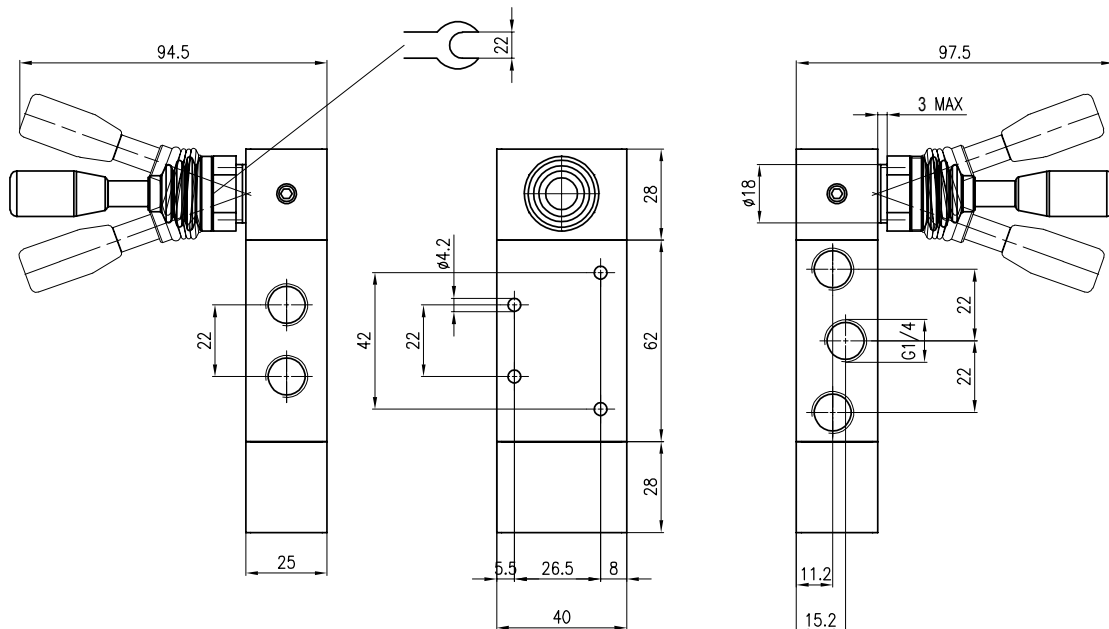
II 2Gc IIC T5
II 2Dc T100°C

On request, they can be supplied according to 94/9/EC - **ATEX**

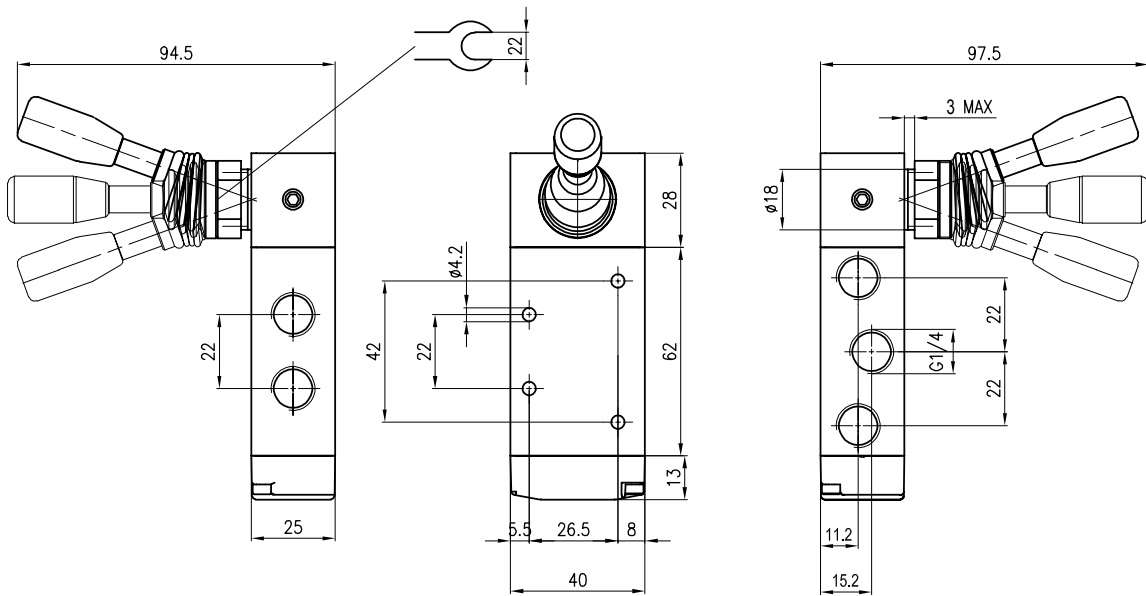
Technical data	
Fluid	Compressed filtered air with or without lubrication. Lubrication, if started, must be continued.
Pressure range	0 ÷ 10 bar
Temperature range	-10 °C ÷ + 80°C
Orifice	8 mm
Flow	1100 NI/min at 6 bar with ΔP 1 bar
Mounting	In any position
Materials	Body: Anodised aluminium Cover: Anodised aluminium Bottom plates: Delrin 500 Spool: Hard aluminium anodized Distancers: Fortron 1140 L4 Seals: Hydrogenated Nitrile Butadiene Rubber (HNBR) Lever: Steel



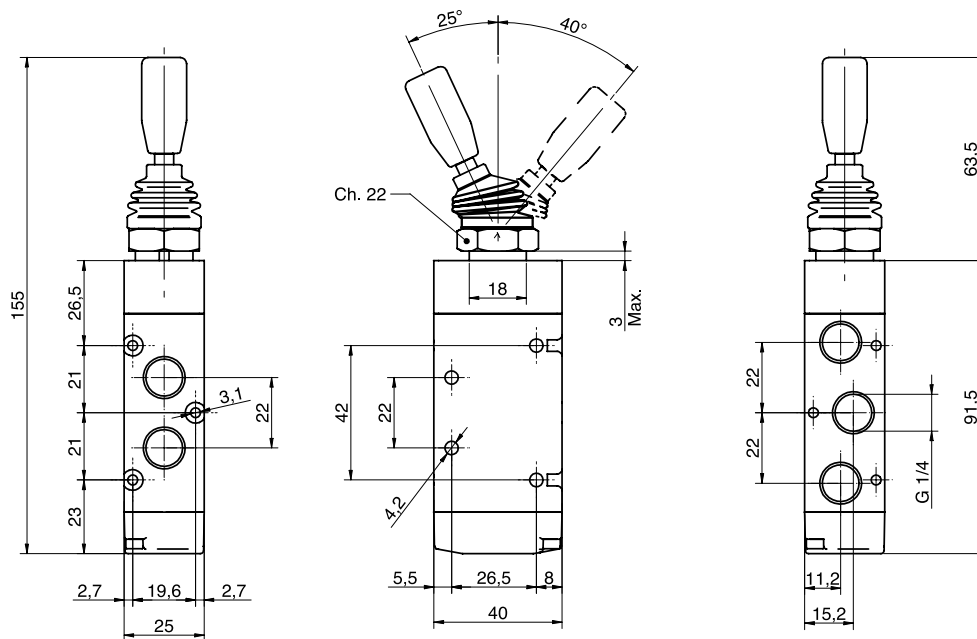
Version	Symbol	Code	Item
5/2 side lever, 1 position		034078	A1MA250LL
5/2 side lever, 2 positions		034079	A1MA251LL



Version	Symbol	Code	Item
5/3 side lever, closed centres, 1 position		034072	A1MA270LL
5/3 side lever, open centres, 1 position		034081	A1MA271LL
5/3 side lever, pressurised centres, 1 position		034080	A1MA272LL



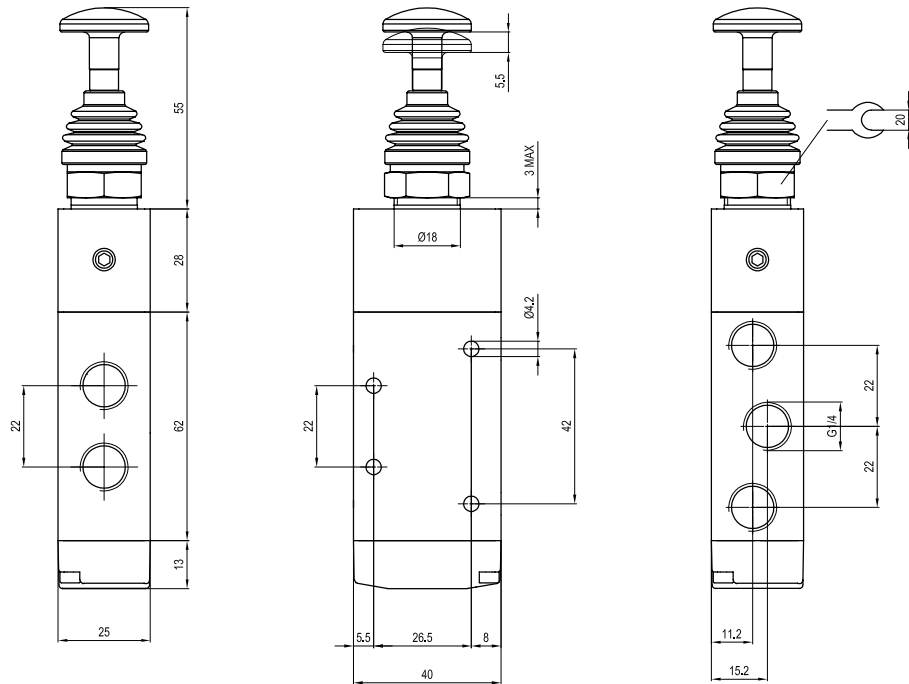
Version	Symbol	Code	Item
5/3 side lever, closed centres, 3 positions		034075	A1MA273LL
5/3 side lever, open centres, 3 positions		034073	A1MA274LL
5/3 side lever, pressurised centres, 3 positions		034074	A1MA275LL



Version	Symbol	Code	Item
5/2 top lever, 2 positions		034105	A1MA251LT

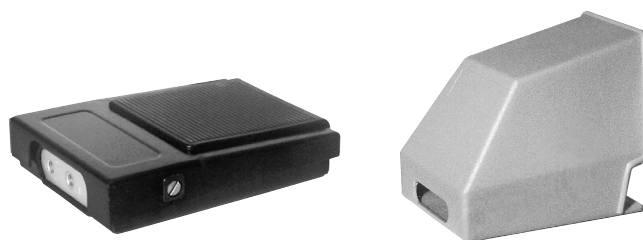


Valves series A1
1/4", 5/2 - 5/3, manually operated



Version	Symbol	Code	Item
5/2 push-pull, 1 position		034106	A1MA250TT
5/2 push-pull, 2 positions		034107	A1MA251TT

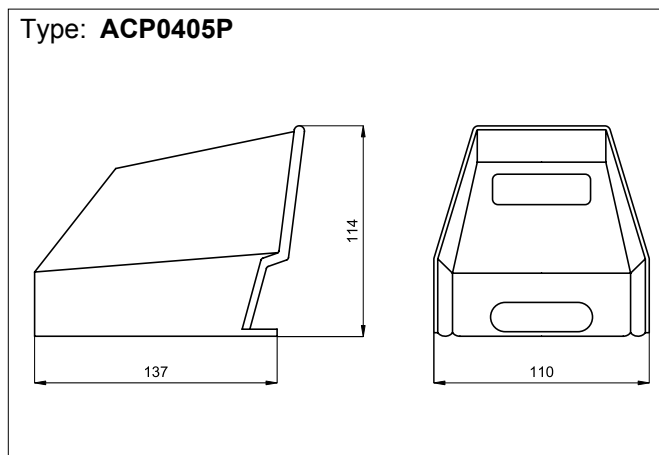
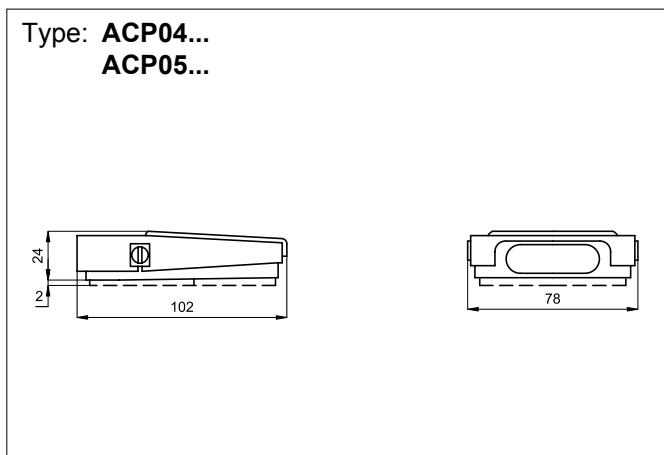
Standard executions			
Version	Symbol	Code	Item
3/2, normally closed with integral 4 mm push-in fittings		033173	ACP04132C
3/2, normally open with integral 4 mm push-in fittings		033174	ACP04132A
3/2, normally closed with M5 ports		033175	ACP05132C
5/2, 1 position with integral 4 mm push-in fittings		033177	ACP041520
5/2, 1 position with M5 ports		033178	ACP051520
Yellow protection cover		033179	ACP0405P



Series of pedals at low flow and with reduced dimensions, single stable position and with poppet valve.

In the standard version they are without protection; the protection cover type ACP0405P can be applied later on and is supplied separately.

They can be supplied with M5 ports valve or with integral 4 mm push-in fittings.



Technical data									
Fluid	Compressed filtered air with or without lubrication. Lubrication, if started, must be continued.								
Pressure range	2 ÷ 10 bar								
Temperature range	-15 °C ÷ + 60°C								
Orifice	2,5 mm								
Flow	100 NI/min								
Operating force	24 N								
Materials	<table border="0"> <tr> <td>Housing:</td> <td>Black zinc plated steel</td> </tr> <tr> <td>Valve body:</td> <td>Profiled anodised aluminium</td> </tr> <tr> <td>Valve internal parts:</td> <td>Nickel plated brass/Stainless steel - Seals: NBR</td> </tr> <tr> <td>Protection cover:</td> <td>Shock-resistant acetal resin</td> </tr> </table>	Housing:	Black zinc plated steel	Valve body:	Profiled anodised aluminium	Valve internal parts:	Nickel plated brass/Stainless steel - Seals: NBR	Protection cover:	Shock-resistant acetal resin
Housing:	Black zinc plated steel								
Valve body:	Profiled anodised aluminium								
Valve internal parts:	Nickel plated brass/Stainless steel - Seals: NBR								
Protection cover:	Shock-resistant acetal resin								

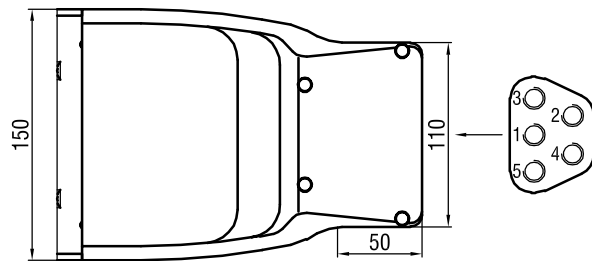
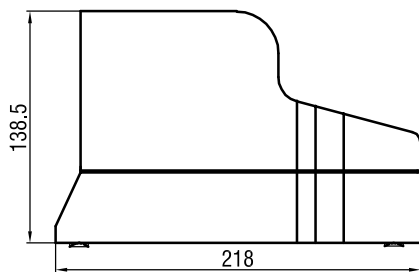
Standard executions			
Version	Symbol	Code	Item
3/2, normally closed, 1 position with safety device		033127	AVP230
3/2 normally closed, 2 positions with safety device		033128	AVP232
5/2, 1 position with safety device		033129	AVP250
5/2, 2 positions with safety device		033133	AVP251



Series of pedals with 3/2 or 5/2 valve, single and two stable position.

In the standard version they are provided with 1/4" spool valve and yellow shock-resistant protection in acetal resin and safety device to avoid possible improper actuations.

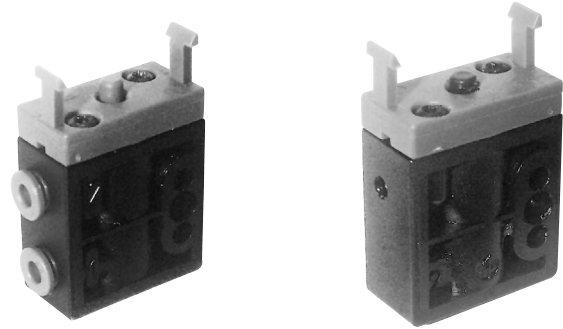
Type: **AVP2...**



Technical data

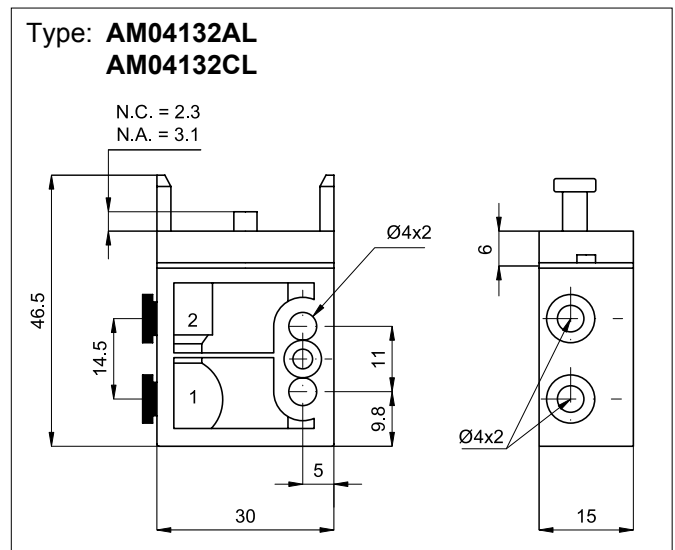
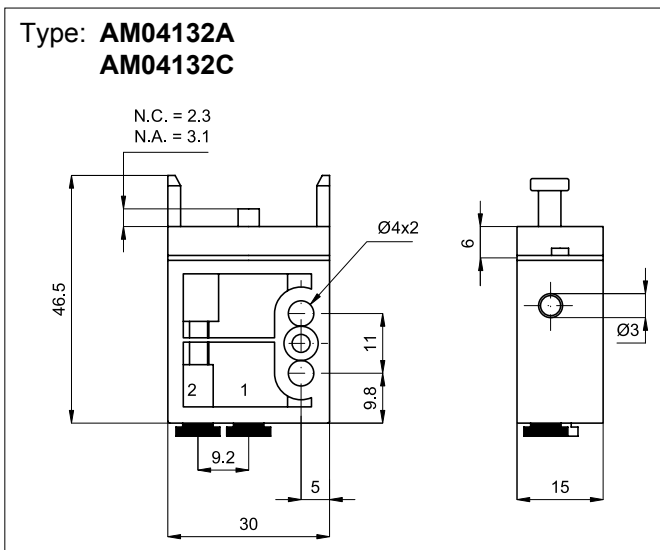
Fluid	Compressed filtered air with or without lubrication. Lubrication, if started, must be continued.	
Pressure range	2,5 ÷ 10 bar	
Temperature range	0 °C ÷ + 50 °C	
Orifice	6,5 mm	
Flow	1000 NI/min	
Operating force	50 N	
Materials	Housing:	Shock-resistant acetal resin
	Valve body:	Profiled anodised aluminium
	Valve internal parts:	Nickel plated brass/Nickel plated aluminium/Stain-less steel - Seals: NBR
	Protection cover:	Shock-resistant acetal resin

Standard executions			
Version	Symbol	Code	Item
Normally open		030251	AM04132A
Normally closed		030252	AM04132C
Normally open with side connections		030253	AM04132AL
Normally closed with side connections		030254	AM04132CL



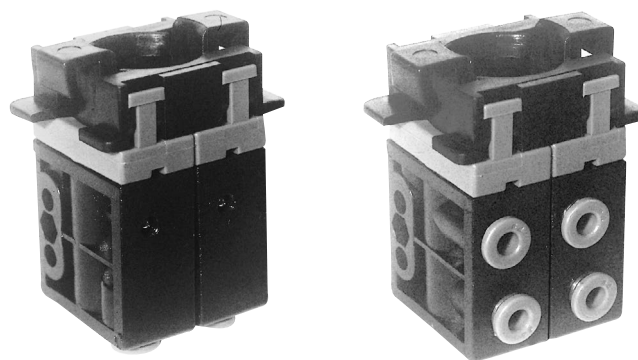
Series of poppet microvalves arranged for operating manually. Connections with integral 4 mm push-in fittings. According to the application you can choose between the version with bottom connections or with side ones.

For the choice of the operating device see page 2.265.1.



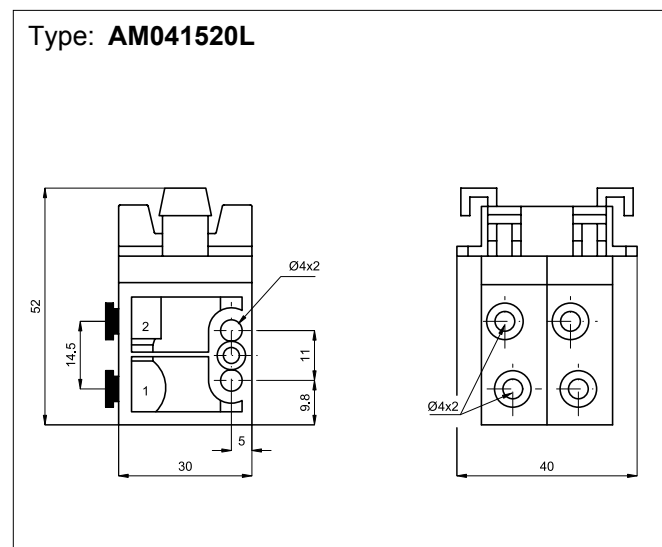
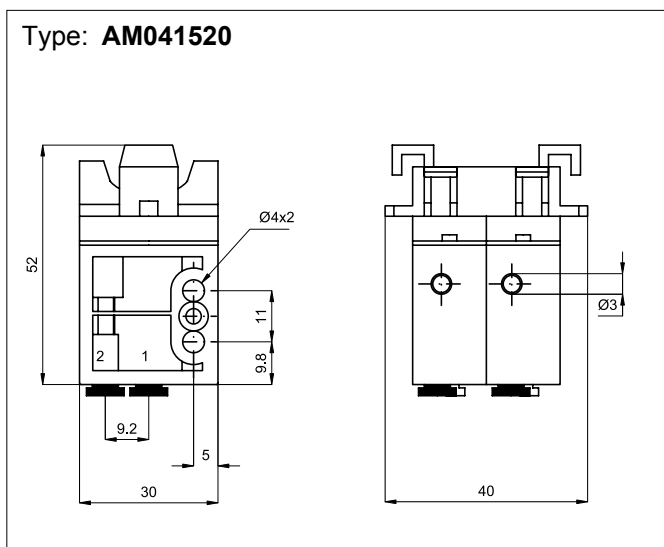
Technical data	
Fluid	Compressed filtered air with or without lubrication. Lubrication, if started, must be continued.
Pressure range	0 ÷ 8 bar
Temperature range	-20 °C ÷ + 80 °C
Operating force	5 N
Flow	80 NI/min.
Connections	With integral 4 mm push-in fittings
Fixing	Through 2 holes (Ø 4 mm) on the body Through 1 hole (Ø 22 mm) on panel (with operating device mounted)
Mounting	In any position
Materials	Body: Acetal resin Seals: Nitrile rubber (NBR)

Standard executions			
Version	Symbol	Code	Item
5/2, 1 position		030261	AM041520
5/2, 1 position with side connections		030262	AM041520L



Series of poppet microvalves arranged for operating manually. Connections with integral 4 mm push-in fittings. According to the application you can choose between the version with bottom connections or with side ones.

For the choice of the operating device see page 2.265.1.



Technical data	
Fluid	Compressed filtered air with or without lubrication. Lubrication, if started, must be continued.
Pressure range	0 ÷ 8 bar
Temperature range	-20 °C ÷ + 80 °C
Operating force	10 N
Flow	80 NI/min.
Connections	With integral 4 mm push-in fittings
Fixing	Through 2 holes (Ø 4 mm) on the body Through 1 hole (Ø 22 mm) on panel (with operating device mounted)
Mounting	In any position
Materials	Body: Acetal resin Seals: Nitrile rubber (NBR)

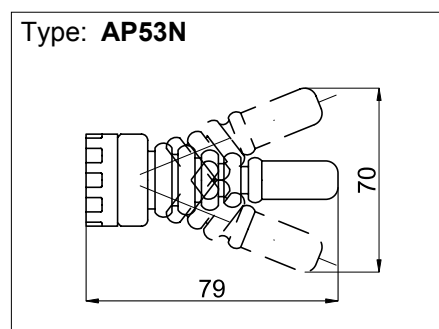
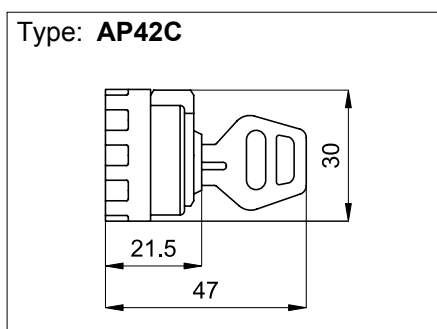
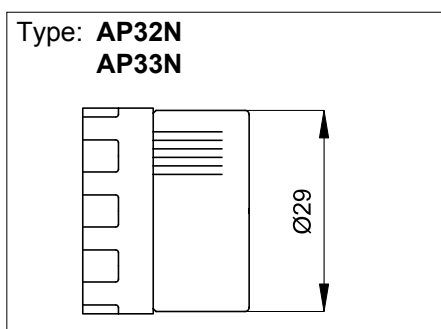
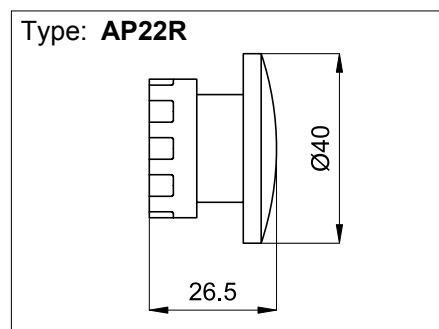
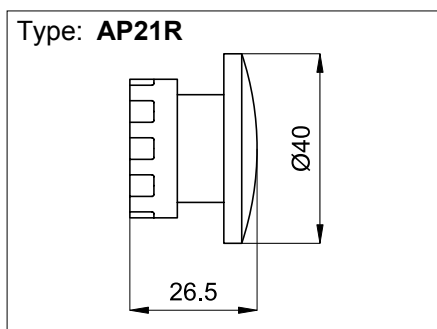
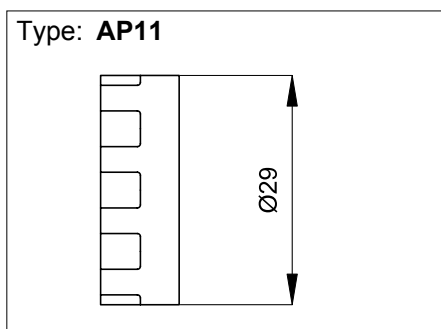
Standard executions			
Version	Symbol	Code	Item
Red recessed button, 1 position		030271	AP11R
Black recessed button, 1 position		030272	AP11N
Green recessed button, 1 position		030273	AP11V
Red head push button, 1 position		030274	AP21R
Red head push button, 2 positions		030275	AP22R
Black selector, 2 positions		030276	AP32N
Black selector, 3 positions		030277	AP33N
Selector with key, 2 positions		030278	AP42C
Black lever, 3 positions		030279	AP53N

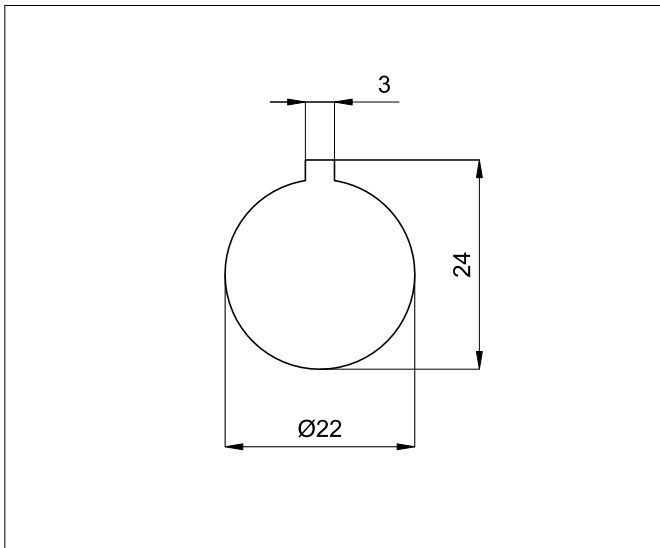


Series of operating devices available in different solutions (selector, recessed button, head push button etc.). Quick mounting on bayonet. They are arranged for mounting on panel (through 22 mm hole). For the valves type AM04...

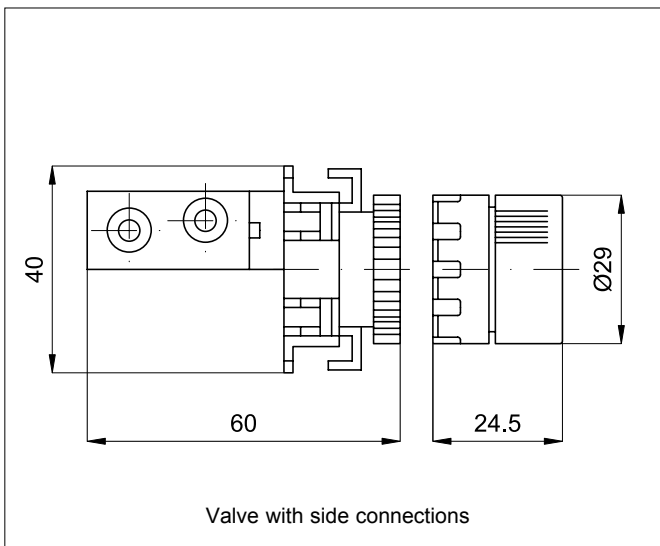
The head push button 2 positions type AP22R can only be used with the valves normally open.

Material:	Acetal resin
-----------	--------------

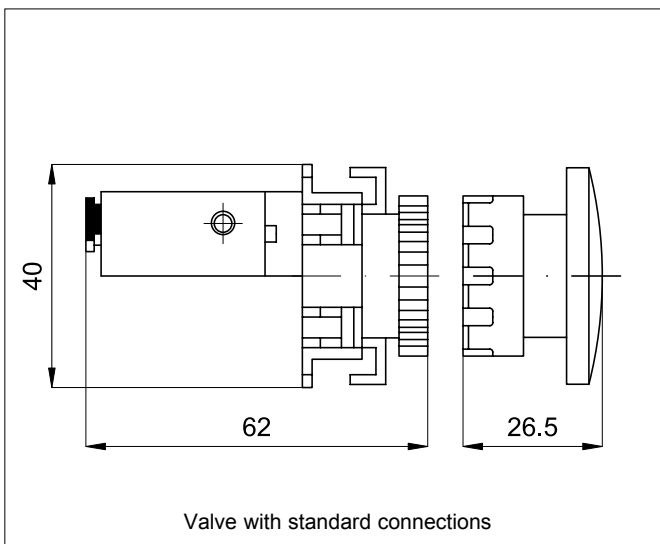




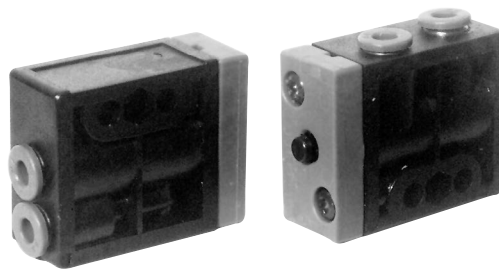
Dimensions of the hole for panel mounting.
The panel must not be thicker than 6 mm.



Maximum overall dimensions



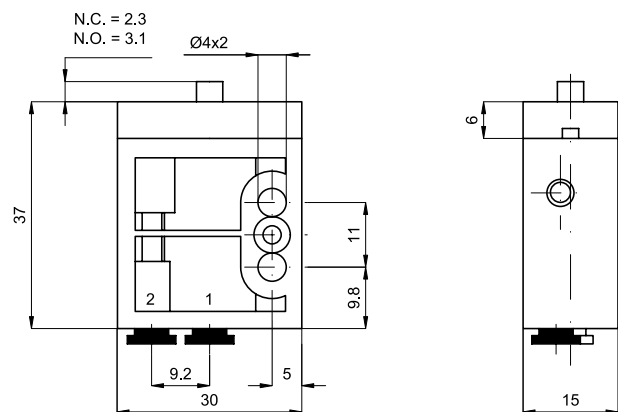
Standard executions			
Version	Symbol	Code	Item
3/2, with plunger, N.O.		032291	AC104132A
3/2, with plunger, N.C.		032292	AC104132C
3/2, with plunger, N.O., with side connections		032293	AC104132AL
3/2, with plunger, N.C., with side connections		032294	AC104132CL
3/2, with bi-directional lever and roller, N.O.		032295	AC204132A
3/2, with bi-directional lever and roller, N.C.		032296	AC204132C
3/2, with bi-directional lever and roller, N.O., with side connections		032297	AC204132AL
3/2, with bi-directional lever and roller, N.C., with side connections		032298	AC204132CL
3/2, with uni-directional lever, N.O.		032299	AC304132A
3/2, with uni-directional lever, N.C.		032303	AC304132C
3/2, with uni-directional lever, N.O., with side connections		032301	AC304132AL
3/2, with uni-directional lever, N.C., with side connections		032302	AC304132CL



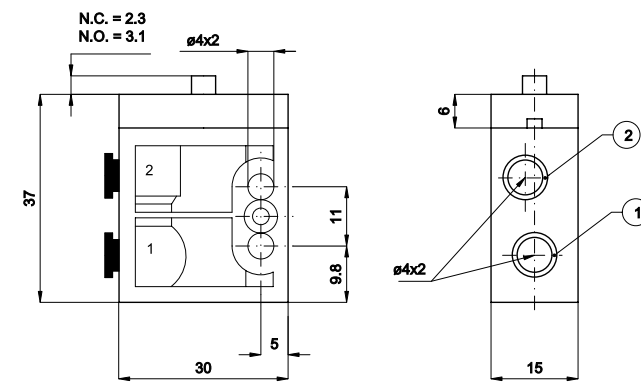
Series of poppet microvalves mechanically operated. Connections with integral 4 mm push-in fittings. According to the application you can choose between the version with bottom connections or side ones.

Technical data	
Fluid	Compressed filtered air with or without lubrication. Lubrication, if started, must be continued.
Pressure range	0 ÷ 8 bar
Temperature range	-20 °C ÷ + 80 °C
Operating force	5 N
Flow	80 NI/min.
Connections	With integral 4 mm push-in fittings
Fixing	Through 4 mm holes on the body
Mounting	In any position
Materials	Body: Acetal resin Seals: Nitrile rubber (NBR)

Type: **AC104132A**
AC104132C



Type: **AC104132AL**
AC104132CL

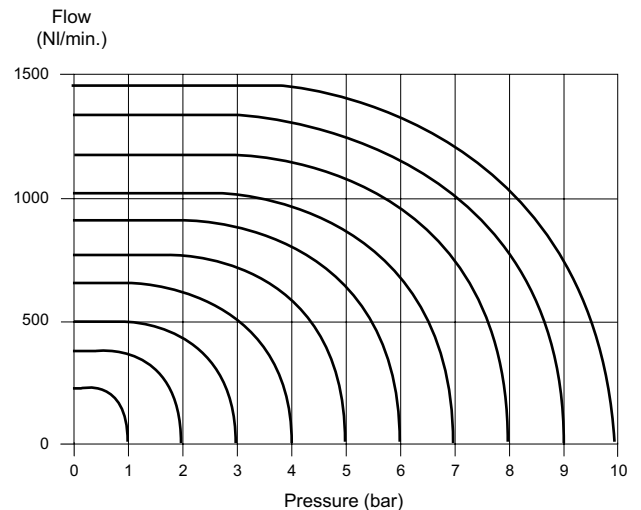


Standard executions

Version	Symbol	Code	Item
3/2, with plunger, N.C.		032600	AC118132C
5/2, with plunger, 1 position		032640	AC1181520
3/2, with bi-directional lever and roller, N.C.		032680	AC218132C
5/2, with bi-directional lever and roller, 1 position		032720	AC2181520
3/2, with uni-directional lever and roller, N.C.		032700	AC318132C
5/2, with uni-directional lever and roller, 1 position		032740	AC3181520

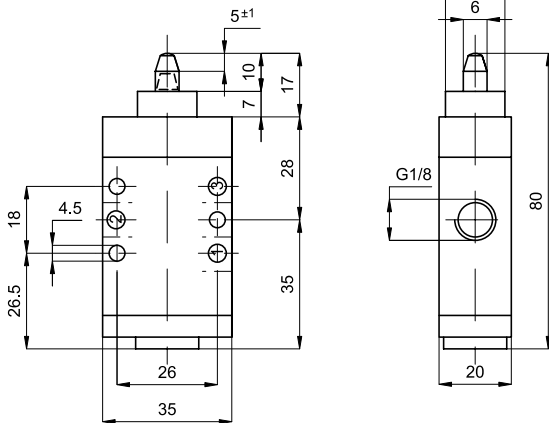


Series of spool valves mechanically operated (plunger, bi-directional and uni-directional lever)

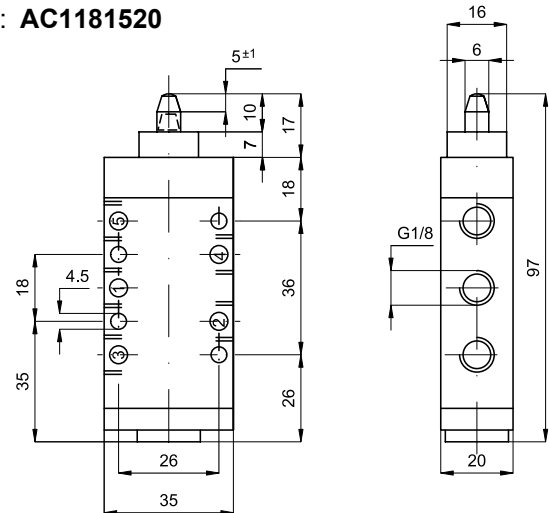


Technical data	
Fluid	Compressed filtered air with or without lubrication. Lubrication, if started, must be continued.
Pressure range	0 ÷ 8 bar
Temperature range	-20 °C ÷ + 80 °C
Orifice	6 mm
Flow	900 NI/min
Connections	1/8"
Fixing	Through holes on the body
Mounting	In any position
Materials	Body: Painted die-cast aluminium Heads: Plastic Seals: Nitrile rubber (NBR)

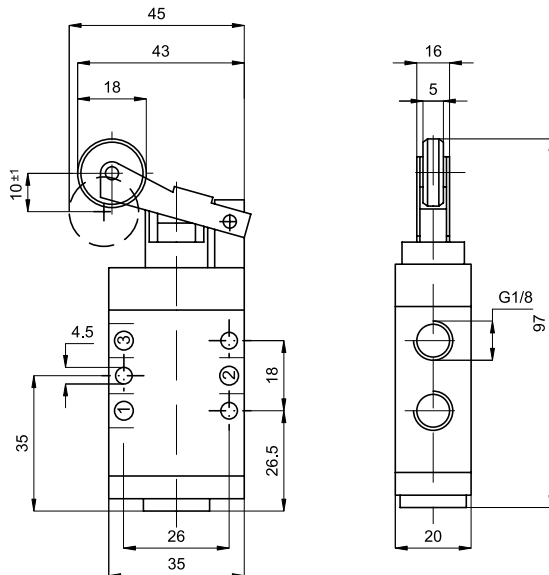
Type: **AC118132C**



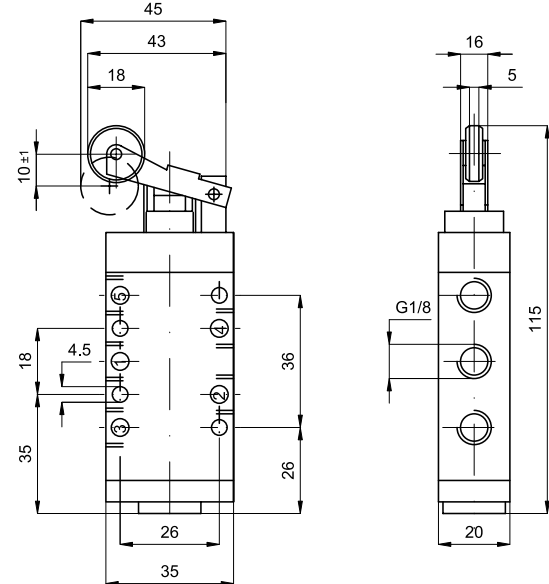
Type: **AC1181520**



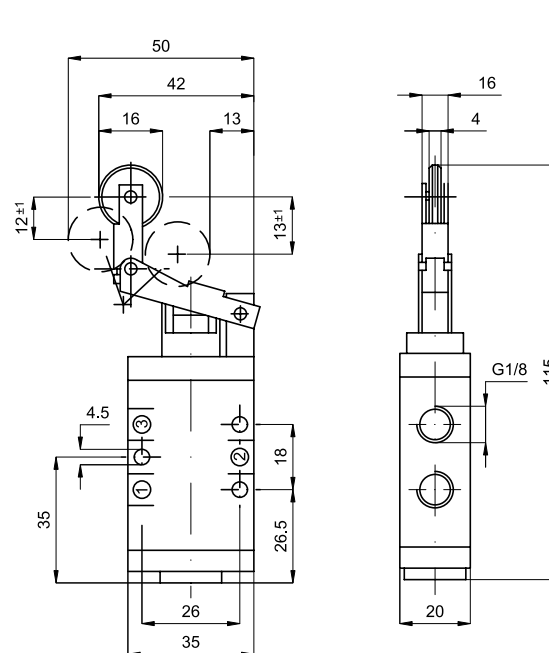
Type: **AC218132C**



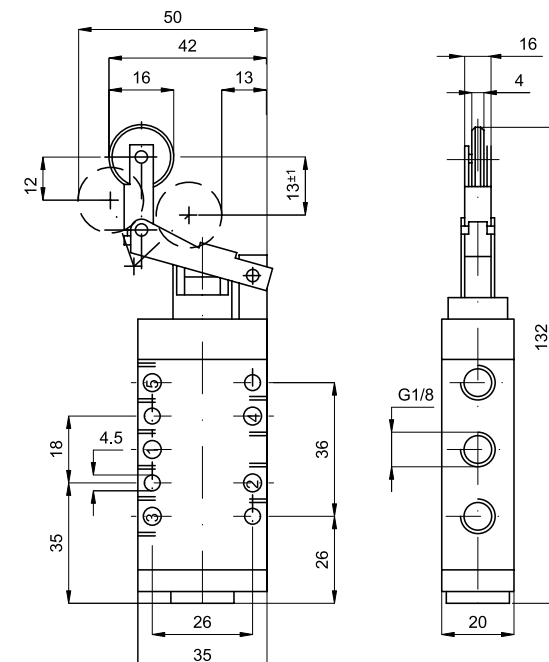
Type: **AC2181520**



Type: **AC318132C**

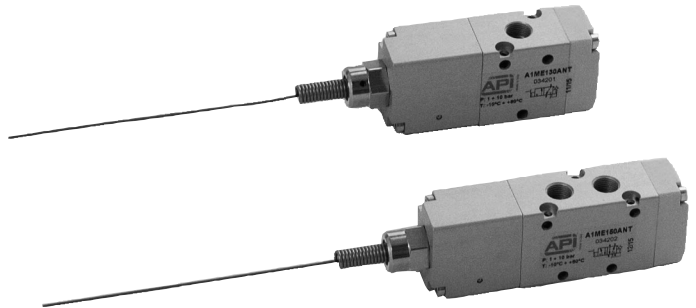


Type: **AC3181520**



Standard executions			
Version	Symbol	Code	Item
3/2 NC spring return		034201	A1ME130ANT
5/2 spring return		034202	A1ME150ANT

New

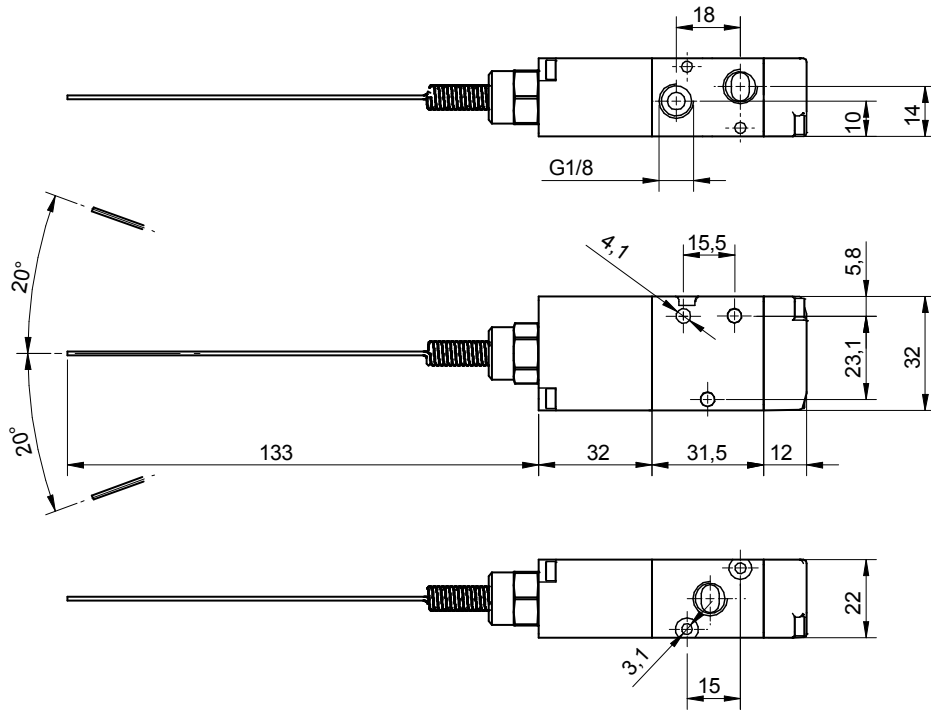


Servo-assisted sensitive aerial spool valves, with static seals, high flow.

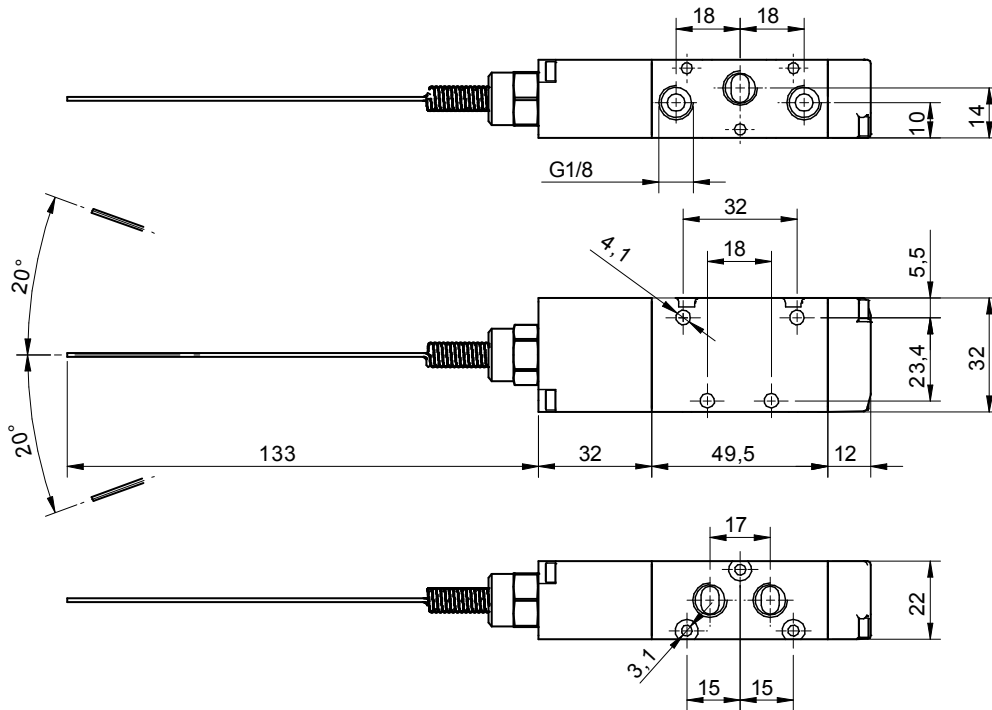
Code key

Series	Actuation	Size	Function	Actuation
A1	ME=Mechanically	1 = 1/8"	30 = 3/2 NC spring return 50 = 5/2 spring return	ANT = sensitive aerial

Technical data	
Fluid	Compressed filtered air with or without lubrication. Lubrication, if started, must be continued.
Pressure range	1 ÷ 10 bar
Temperature range	-10 °C ÷ + 60°C
Orifice	6,5 mm
Flow	650 NI/min a 6 bar at ΔP 1 bar
Minimum piloting pressure	1 bar
Mounting	In any position
Materials	Body: Anodised aluminium Covers: Delrin 500 Spool: Hard aluminium anodized Distancers: Fortron 1140 L4 Spring: Stainless steel AISI 304 Seals: Hydrogenated Nitrile Butadiene Rubber (HNBR)



Version	Symbol	Code	Item
3/2 NC spring return		034201	A1ME130ANT



Version	Symbol	Code	Item
5/2 spring return		034202	A1ME150ANT

Standard executions

Version	Symbol	Code	Item
5/2 lever/spring with bi-directional lever and roller		034156	A1ME150RLB
5/2 lever/spring with adjustable bi-directional lever and roller		034157	A1ME150RLBR

New



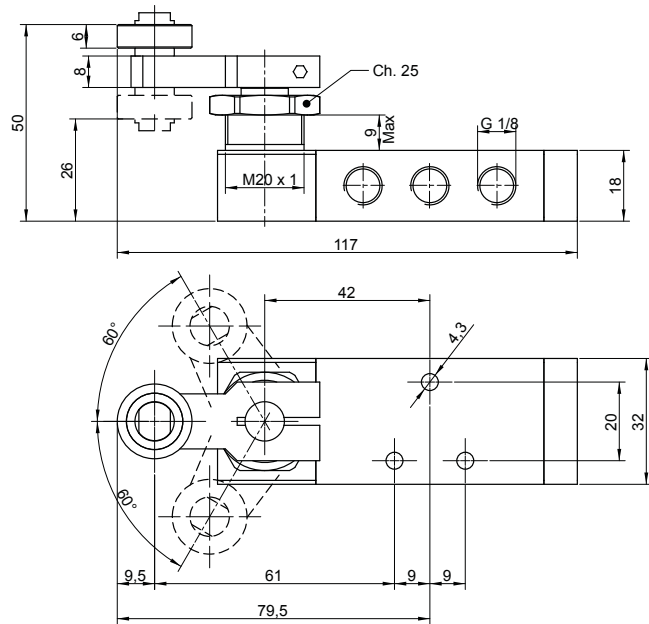
Side lever valve mechanically operated spool valve with side lever and high flow static seals.
Panel assembly with screws.

Code key

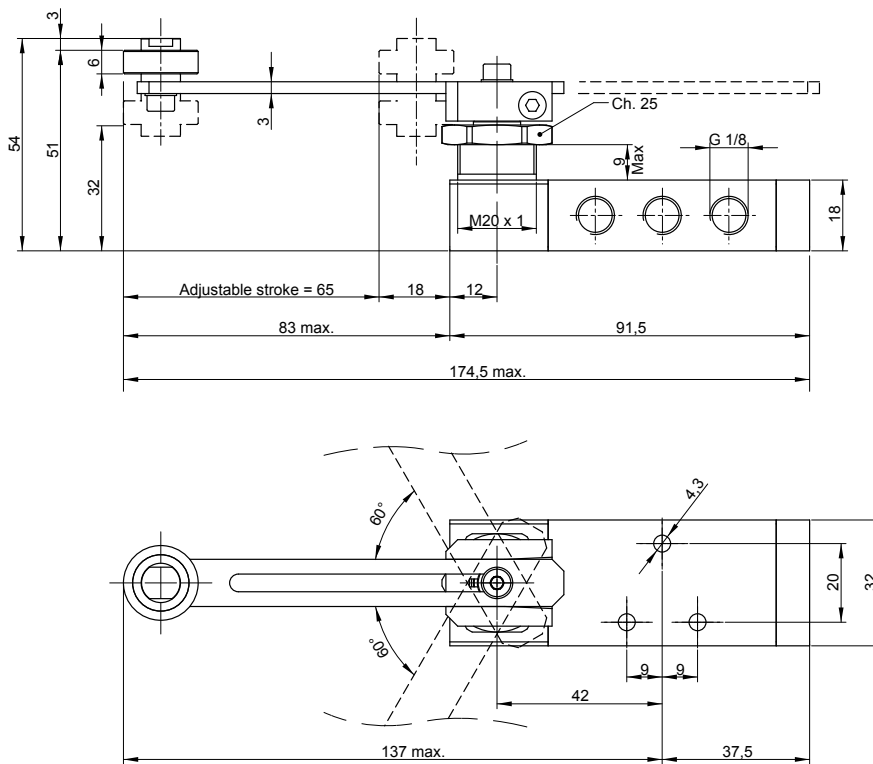
Series	Actuation	Size	Function	Actuation
A1	ME=Mechanically	1 = 1/8"	50 = 5/2 monostable	RLB = Lever and roller RLBR = Adjustable lever and roller

Technical data

Fluid	Compressed filtered air with or without lubrication. Lubrication, if started, must be continued.	
Pressure range	1 ÷ 10 bar	
Temperature range	-10 °C ÷ + 60°C	
Orifice	6,5 mm	
Flow	650 NI/min a 6 bar at ΔP 1 bar	
Mounting	In any position	
Materials	Body:	Anodised aluminium
	Covers:	Anodised aluminium
	Lever:	Anodised aluminium
	Spool:	Hard aluminium anodized
	Distancers:	Fortron 1140 L4
	Seals:	Hydrogenated Nitrile Butadiene Rubber (HNBR)



Version	Symbol	Code	Item
5/2 lever/spring with bi-directional lever and roller		034156	A1ME150RLB



Version	Symbol	Code	Item
5/2 lever/spring with adjustable bi-directional lever and roller		034157	A1ME150RLBR