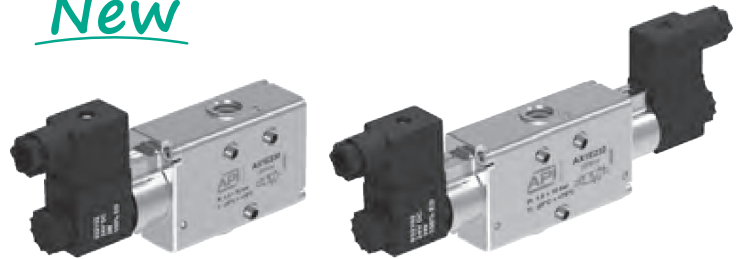


Standard executions			
Version	Symbol	Code	Item
3/2 NC		037004	AX1E230
3/2 NO		037009	AX1E231
3/2 solenoid/solenoid		037010	AX1E232
3/2 NC external air pilot		037011	AX1K230
3/2 solenoid/solenoid external air pilot		037012	AX1K232

New



New series of "AX" valves with functions 3/2 connections in line on the body, electric and electric servo pilot.

They are manufactured in AISI 316L stainless steel, especially suitable in the food, chemical, pharmaceutical, Oil & Gas and mining industry.

AX valves are manufactured according to 2014/34/EU Directive to be used in potentially explosive environment.

II 2Gc IIB T5
II 2Dc T100°C

Coils and connectors are to be ordered separately:

For the coils type ASA12... see page 2.200.1
 For the coils type ASA2... see page 2.200.10
 For the coils type ASA34... (only for EG/KG) see page 2.200.30
 For connector see that suggested to the coil

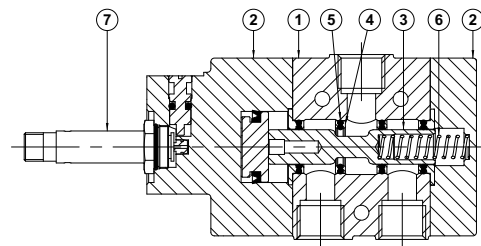


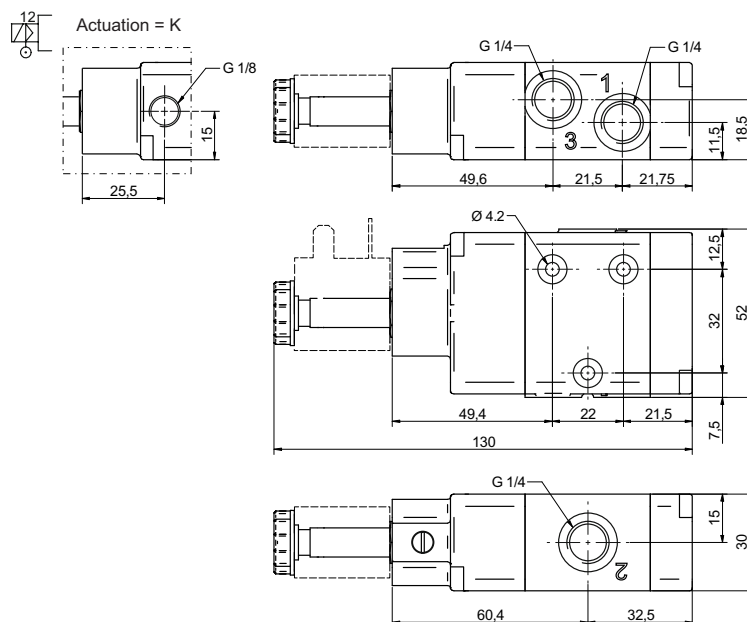
For the ATEX valves with coils Ex see version XX-XA-XB-XC-XD from page 5.81.1

Code key				
Series	Actuation	Size	Function	Option
AX1 = Standard AXX1 = Completely in stainless steel	E = electrical Ø9 K = electrical Ø9 external air pilot EG = electrical Ø13* KG = electrical Ø13* external air pilot	2 = 1/4 Gas 2N = 1/4 NPT	30 = 3/2 NC 31 = 3/2 NO 32 = 3/2 solenoid/solenoid	V = Seals FKM

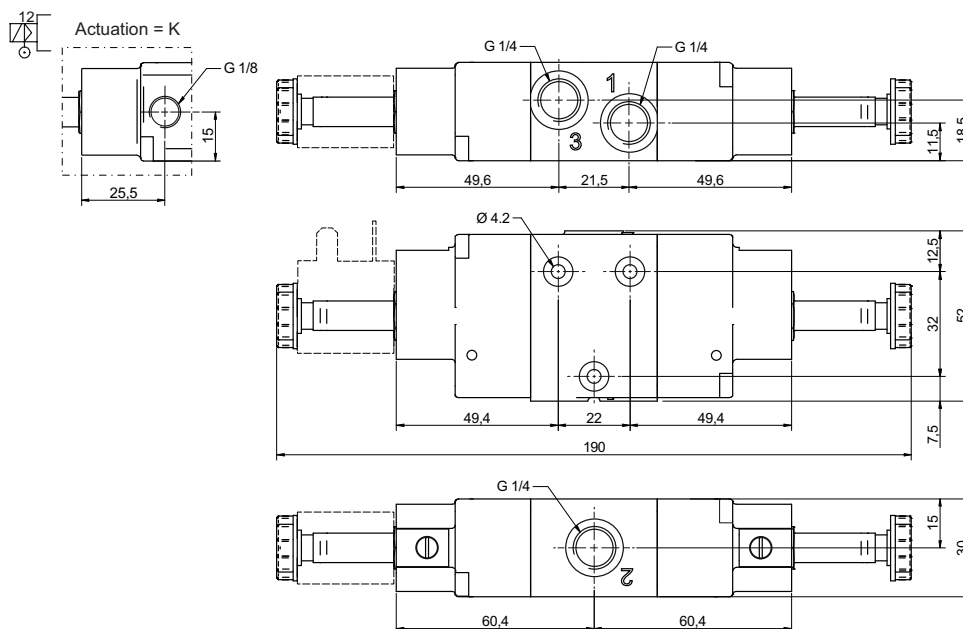
* For actuation EG/KG use coils type ASA34

Technical data	
Fluid	Compressed filtered air with or without lubrication. Lubrication, if started, must be continued.
Threaded connection	1/4 Gas - 1/4 NPT
Pressure range	Standard Spring return: 1,5 ÷ 10 bar (E - K) Bistable: 1 ÷ 10 bar (E - K)
	High pressure Spring return: 1,5 ÷ 12 bar (EG - KG) Bistable: 1 ÷ 12 bar (EG - KG)
Minimum external air pressure	1,5 bar (K - KG)
Temperature range	-25°C ÷ +70°C
	-10°C ÷ +150°C (V)
Ø Orifice	8 mm
Flow	1.100 NI/min at 6 bar with ΔP 1 bar
Mounting	In any position (vertical assembly is not recommended for bistable valves subjected to vibration)
Manual override	Bistable
Response time (at 6 bar)	Energising: - ms
	De-energising: - ms
Materials	(1) Body: Stainless steel AISI 316L
	(2) Cover: Stainless steel AISI 316L
	(3) Spool: Hard aluminium anodized (AX1 series) Stainless steel AISI 316 (AXX1 series)
	(4) Distancers: Fortron 1140L4 (AX1 series) Stainless steel AISI 316 (AXX1 series)
	(5) Seals: Hydrogenate Nitrile Butadine Rubber (HNBR)
	(6) Spring: Stainless steel
	(7) Operator: Stainless steel



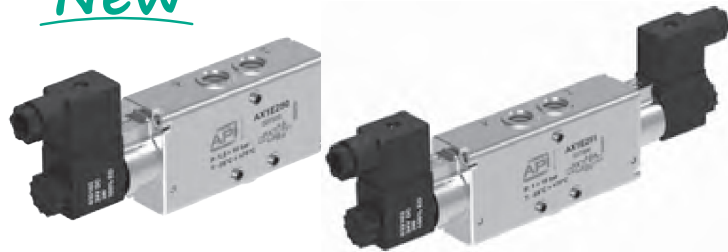


Version	Symbol	Code	Item
3/2 NC		037004	AX1E230
3/2 NO		037009	AX1E231
3/2 NC external air pilot		037011	AX1K230



Version	Symbol	Code	Item
3/2 solenoid/solenoid		037010	AX1E232
3/2 solenoid/solenoid external air pilot		037012	AX1K232

New



New series of "AX" valves with functions 5/2, 5/3 connections in line on the body, electric and electric servo pilot.

They are manufactured in AISI 316L stainless steel, especially suitable in the food, chemical, pharmaceutical, Oil & Gas and mining industry.

AX valves are manufactured according to 2014/34/EU Directive to be used in potentially explosive environment.

II 2Gc IIB T5
II 2Dc T100°C

Coils and connectors are to be ordered separately:

For the coils type ASA12... see page 2.200.1
 For the coils type ASA2... see page 2.200.10
 For the coils type ASA34... (only for EG/KG) see page 2.200.30
 For connector see that suggested to the coil

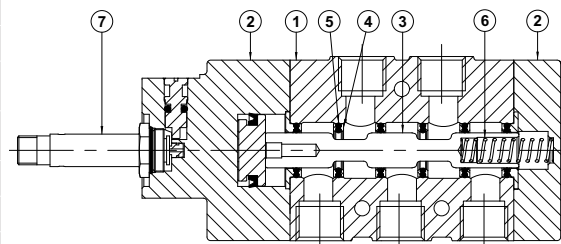
For the ATEX valves with coils Ex see version XX-XA-XB-XC-XD from page 5.81.1

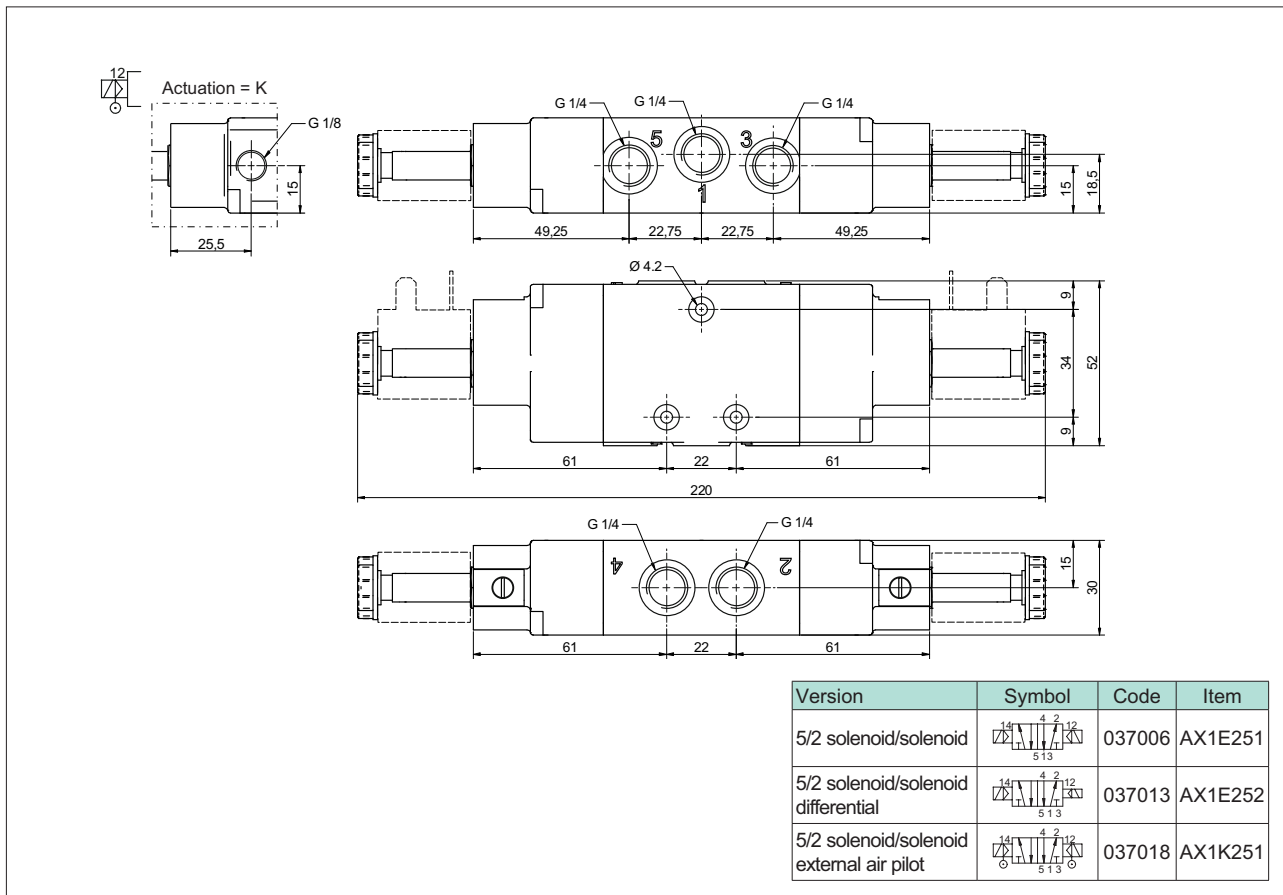
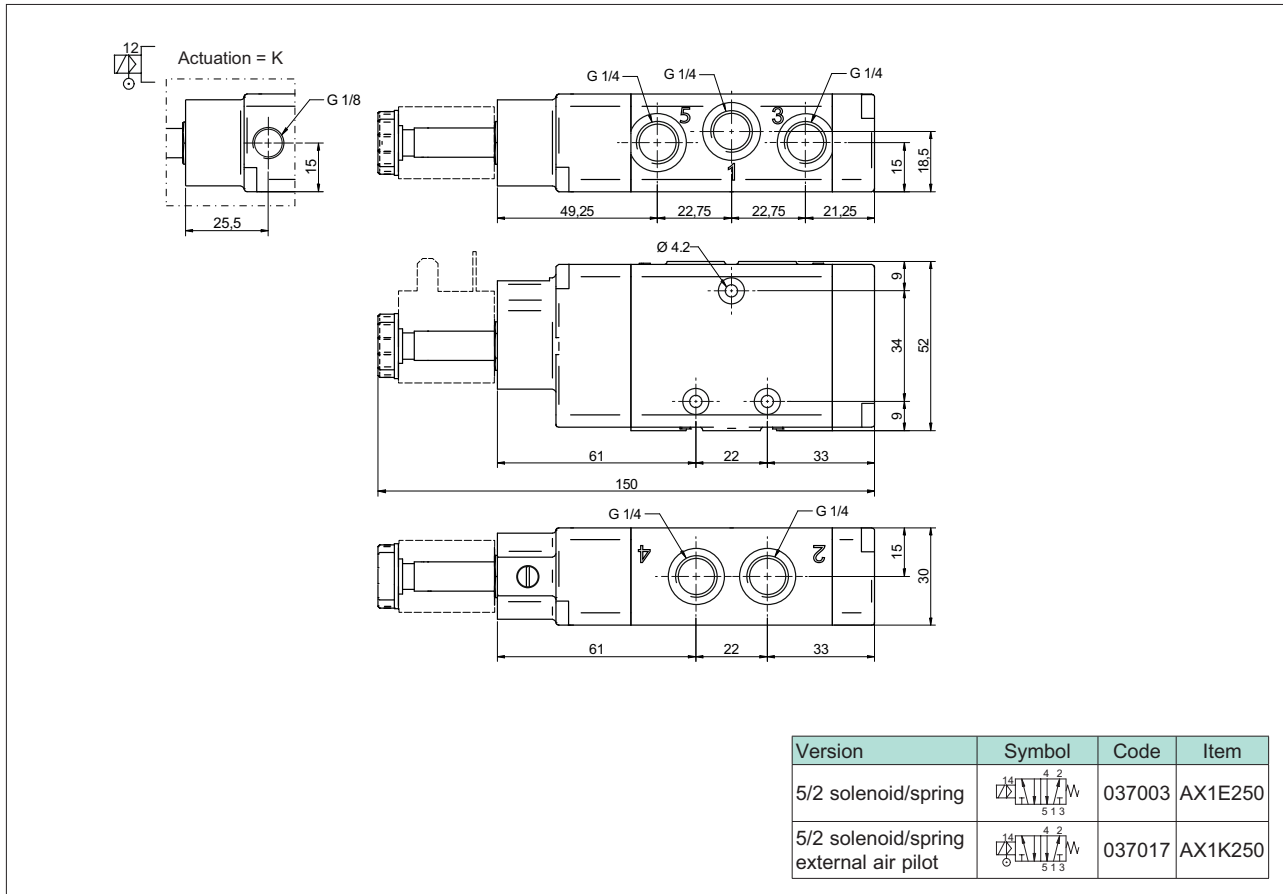
Standard executions			
Version	Symbol	Code	Item
5/2 solenoid/spring		037003	AX1E250
5/2 solenoid/solenoid		037006	AX1E251
5/2 solenoid/solenoid differential		037013	AX1E252
5/3 closed centres		037014	AX1E270
5/3 open centres		037015	AX1E271
5/3 pressurised centres		037016	AX1E272
5/2 solenoid/spring external air pilot		037017	AX1K250
5/2 solenoid/solenoid external air pilot		037018	AX1K251
5/3 closed centres, external air pilot		037019	AX1K270
5/3 open centres, external air pilot		037020	AX1K271
5/3 pressurised centres external air pilot		037021	AX1K272

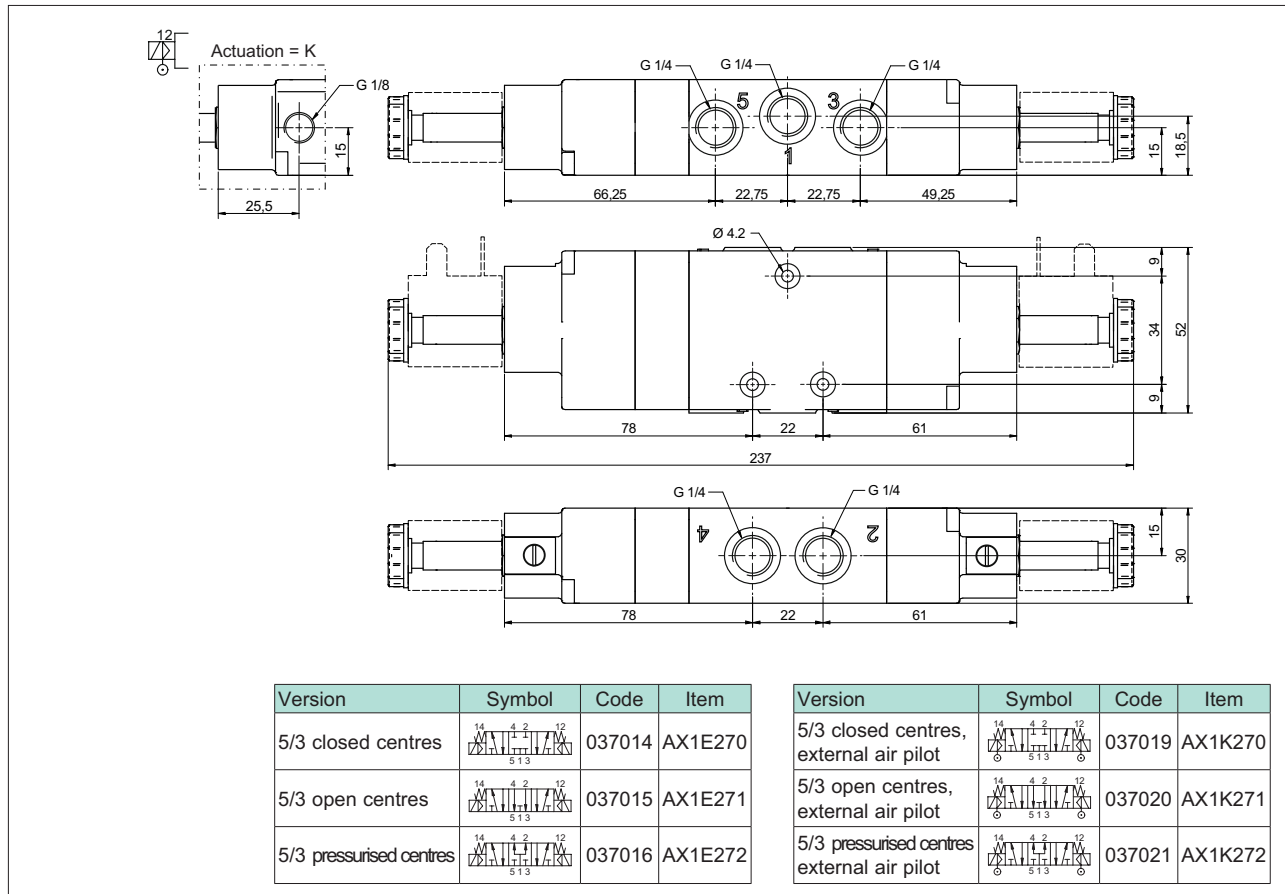
Code key				
Series	Actuation	Size	Function	Option
AX1 = Standard AXX1 = Completely in stainless steel	E = electrical Ø9 K = electrical Ø9 external air pilot EG = electrical Ø13* KG = electrical Ø13* external air pilot	2 = 1/4 Gas 2N = 1/4 NPT	50 = 5/2 solenoid/spring 51 = 5/2 solenoid/solenoid 52 = 5/2 solenoid/solenoid differential 70 = 5/3 CC 71 = 5/3 OC 72 = 5/3 PC	V = Seals FKM

* For actuation EG/KG use coils type ASA34

Technical data				
Fluid	Compressed filtered air with or without lubrication. Lubrication, if started, must be continued.			
Threaded connection	1/4 Gas - 1/4 NPT			
Pressure range	Standard	Spring return: 1,5 + 10 bar (E)	Bistable: 1 + 10 bar (E)	3 position: 2,5 + 10 bar (E)
	High pressure	Spring return: 1,5 + 12 bar (EG)	Bistable: 1 + 12 bar (EG)	3 position: 2,5 + 12 bar (EG)
Minimum external air pressure	1,5 bar (K - KG)			
Temperature range	-25°C + +70°C			
	-10°C + +150°C (V)			
Ø Orifice	8 mm			
Flow	1.100 NI/min at 6 bar with ΔP 1 bar			
Mounting	In any position (vertical assembly is not recommended for bistable valves subjected to vibration)			
Manual override	Bistable			
Response time (at 6 bar)	Energising: - ms		Energising: - ms	Energising: - ms
	De-energising: - ms		De-energising: - ms	De-energising: - ms
Materials	(1) Body:	Stainless steel AISI 316L		
	(2) Cover:	Stainless steel AISI 316L		
	(3) Spool:	Hard aluminium anodized (AX1 series) Stainless steel AISI 316 (AXX1 series)		
	(4) Distancers:	Fortron 1140L4 (AX1 series) Stainless steel AISI 316 (AXX1 series)		
	(5) Seals:	Hydrogenate Nitrile Butadine Rubber (HNBR)		
	(6) Spring:	Stainless steel		
	(7) Operator:	Stainless steel		

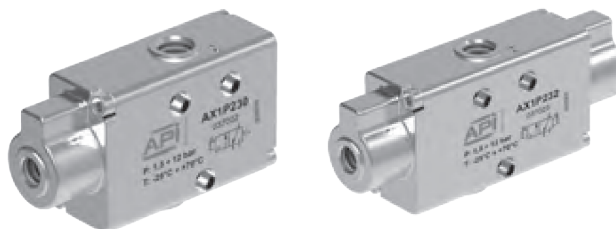






Standard executions			
Version	Symbol	Code	Item
3/2 NC		037002	AX1P230
3/2 NO		037022	AX1P231
3/2 pilot/pilot		037023	AX1P232

New



New series of "AX" valves with functions 3/2 connections in line on the body and pneumatic pilot.

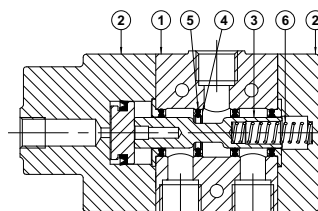
They are manufactured in AISI 316L stainless steel, especially suitable in the food, chemical, pharmaceutical, Oil & Gas and mining industry.

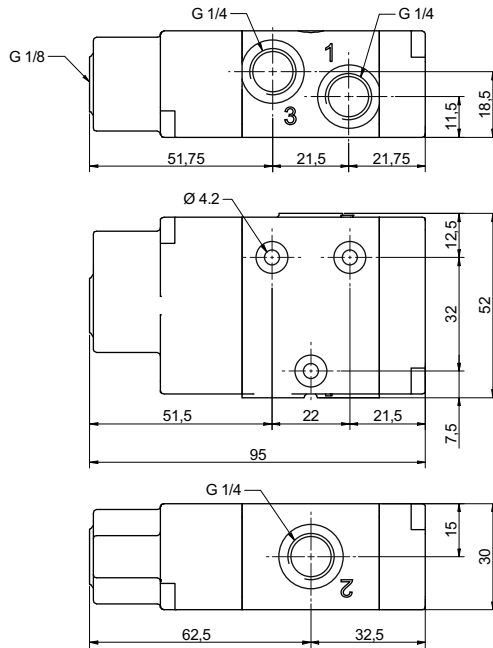
AX valves are manufactured according to 2014/34/EU Directive to be used in potentially explosive environment.

II 2Gc IIB T5
II 2Dc T100°C

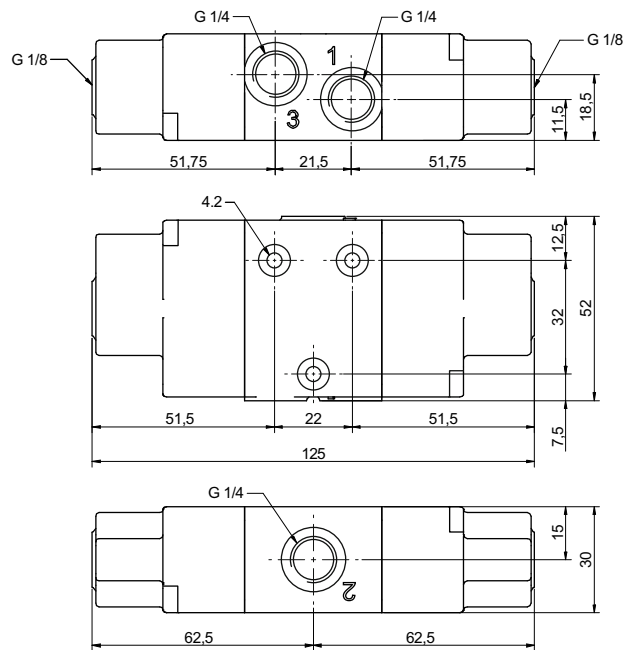
Code key				
Series	Actuation	Size	Function	Option
AX1 = Standard AXX1 = Completely in stainless steel	P = pneumatic	2 = 1/4 Gas 2N = 1/4 NPT	30 = 3/2 NC 31 = 3/2 NO 32 = 3/2 pilot/pilot	V = Seals FKM

Technical data	
Fluid	Compressed filtered air with or without lubrication. Lubrication, if started, must be continued.
Threaded connection	1/4 Gas - 1/4 NPT
Pressure range	Spring return: 1,5 + 12 bar Bistable: 1 + 12 bar
Temperature range	-25°C + +70°C -10°C + +150°C (V)
Ø Orifice	8 mm
Flow	1.100 NI/min at 6 bar with ΔP 1 bar
Mounting	In any position (vertical assembly is not recommended for bistable valves subjected to vibration)
Response time (at 6 bar)	Energising: - ms Energising: - ms De-energising: - ms De-energising: - ms
Materials	(1) Body: Stainless steel AISI 316L
	(2) Cover: Stainless steel AISI 316L
	(3) Spool: Hard aluminium anodized (AX1 series) Stainless steel AISI 316 (AXX1 series)
	(4) Distancers: Fortron 1140L4 (AX1 series) Stainless steel AISI 316 (AXX1 series)
	(5) Seals: Hydrogenate Nitrile Butadine Rubber (HNBR)
	(6) Spring: Stainless steel





Version	Symbol	Code	Item
3/2 NC		037002	AX1P230
3/2 NO		037022	AX1P231



Version	Symbol	Code	Item
3/2 pilot/pilot		037023	AX1P232

New

Standard executions			
Version	Symbol	Code	Item
5/2 pilot/spring		037001	AX1P250
5/2 pilot/pilot		037024	AX1P251
5/2 pilot/pilot differential		037025	AX1P252
5/3 closed centres		037026	AX1P270
5/3 open centres		037027	AX1P271
5/3 pressurised centres		037028	AX1P272



New series of "AX" valves with functions 5/2 - 5/3 connections in line on the body and pneumatic pilot.

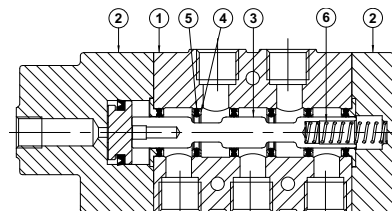
They are manufactured in AISI 316L stainless steel, especially suitable in the food, chemical, pharmaceutical, Oil & Gas and mining industry.

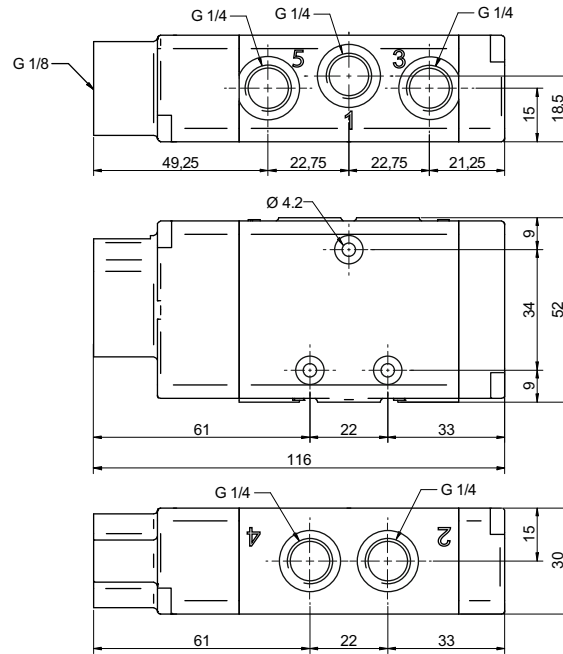
AX valves are manufactured according to 2014/34/EU Directive to be used in potentially explosive environment.

II 2Gc IIB T5
II 2Dc T100°C

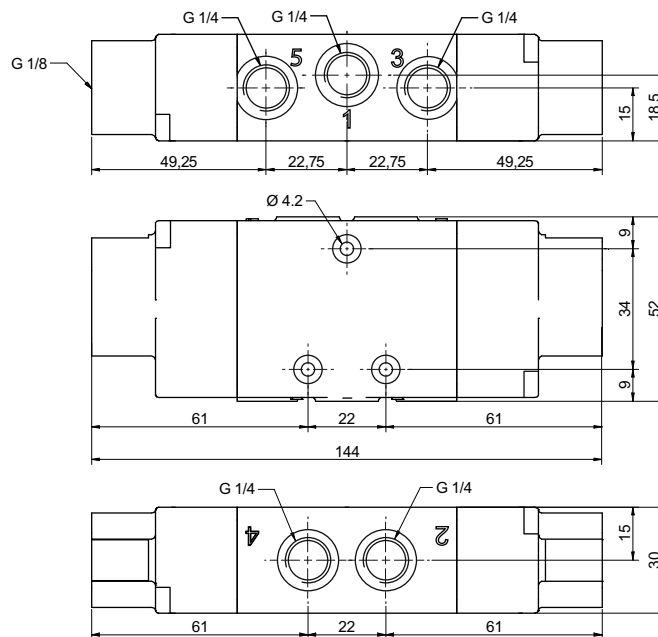
Code key				
Series	Actuation	Size	Function	Option
AX1 = Standard AXX1 = Completely in stainless steel	P = pneumatic	2 = 1/4 Gas 2N = 1/4 NPT	50 = 5/2 pilot/spring 51 = 5/2 pilot/pilot 52 = 5/2 pilot/pilot 70 = 5/3 CC 71 = 5/3 OC 72 = 5/3 PC	V = Seals FKM

Technical data			
Fluid	Compressed filtered air with or without lubrication. Lubrication, if started, must be continued.		
Threaded connection	1/4 Gas - 1/4 NPT		
Pressure range	Spring return: 1,5 ÷ 12 bar	Bistable: 1 ÷ 12 bar 3 position: 2.5 ÷ 12 bar	
Temperature range	-25°C ÷ +70°C		
	-10°C ÷ +150°C (V)		
Ø Orifice	8 mm		
Flow	1.100 NI/min at 6 bar with ΔP 1 bar		
Mounting	In any position (vertical assembly is not recommended for bistable valves subjected to vibration)		
Response time (at 6 bar)	Energising: - ms	Energising: - ms	Energising: - ms
	De-energising: - ms	De-energising: - ms	De-energising: - ms
Materials	(1) Body:	Stainless steel AISI 316L	
	(2) Cover:	Stainless steel AISI 316L	
	(3) Spool:	Hard aluminium anodized (AX1 series) Stainless steel AISI 316 (AXX1 series)	
	(4) Distancers:	Fortron 1140L4 (AX1 series) Stainless steel AISI 316 (AXX1 series)	
	(5) Seals:	Hydrogenate Nitrile Butadine Rubber (HNBR)	
	(6) Spring:	Stainless steel	



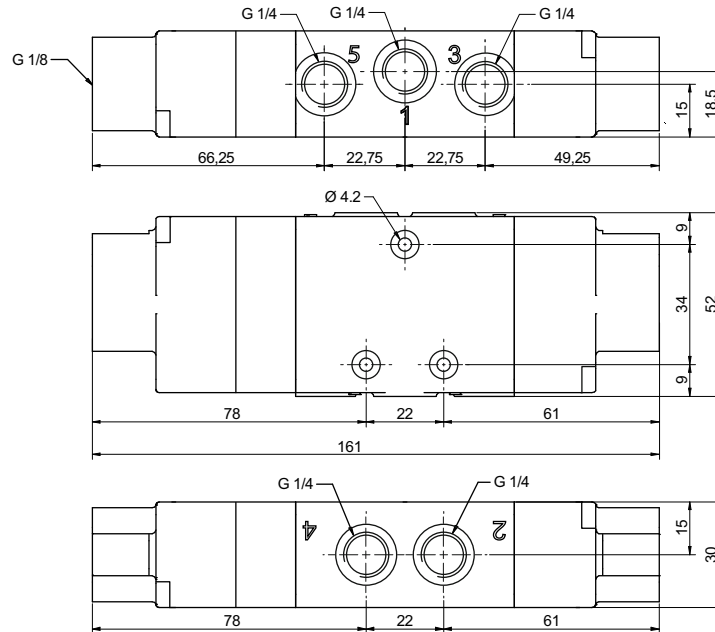


Version	Symbol	Code	Item
5/2 pilot/spring		037001	AX1P250



Version	Symbol	Code	Item
5/2 pilot/pilot		037024	AX1P251
5/2 pilot/pilot differential		037025	AX1P252

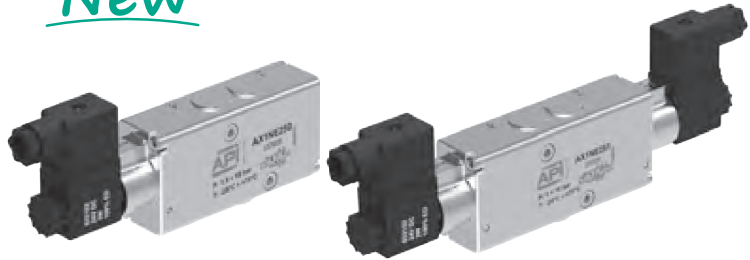
Valves series AX1
 1/4", 5/2 - 5/3, IN LINE interface, pneumatically operated



Version	Symbol	Code	Item
5/3 closed centres		037026	AX1P270
5/3 open centres		037027	AX1P271
5/3 pressurised centres		037028	AX1P272

Standard executions			
Version	Symbol	Code	Item
3/2 NC		037029	AX1NE230
3/2 solenoid/solenoid		037030	AX1NE232
5/2 solenoid/spring		037008	AX1NE250
5/2 solenoid/solenoid		037031	AX1NE251

New



New series of "AX" valves with functions 3/2 - 5/2 connections NAMUR on the body, electric pilot.

They are manufactured in AISI 316L stainless steel, especially suitable in the food, chemical, pharmaceutical, Oil & Gas and mining industry.

AX valves are manufactured according to 2014/34/EU Directive to be used in potentially explosive environment.

II 2Gc IIB T5
II 2Dc T100°C

Coils and connectors are to be ordered separately:

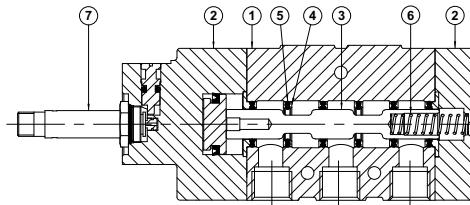
For the coils type ASA12... see page 2.200.1
 For the coils type ASA2... see page 2.200.10
 For the coils type ASA34... (only for EG/KG) see page 2.200.30
 For connector see that suggested to the coil

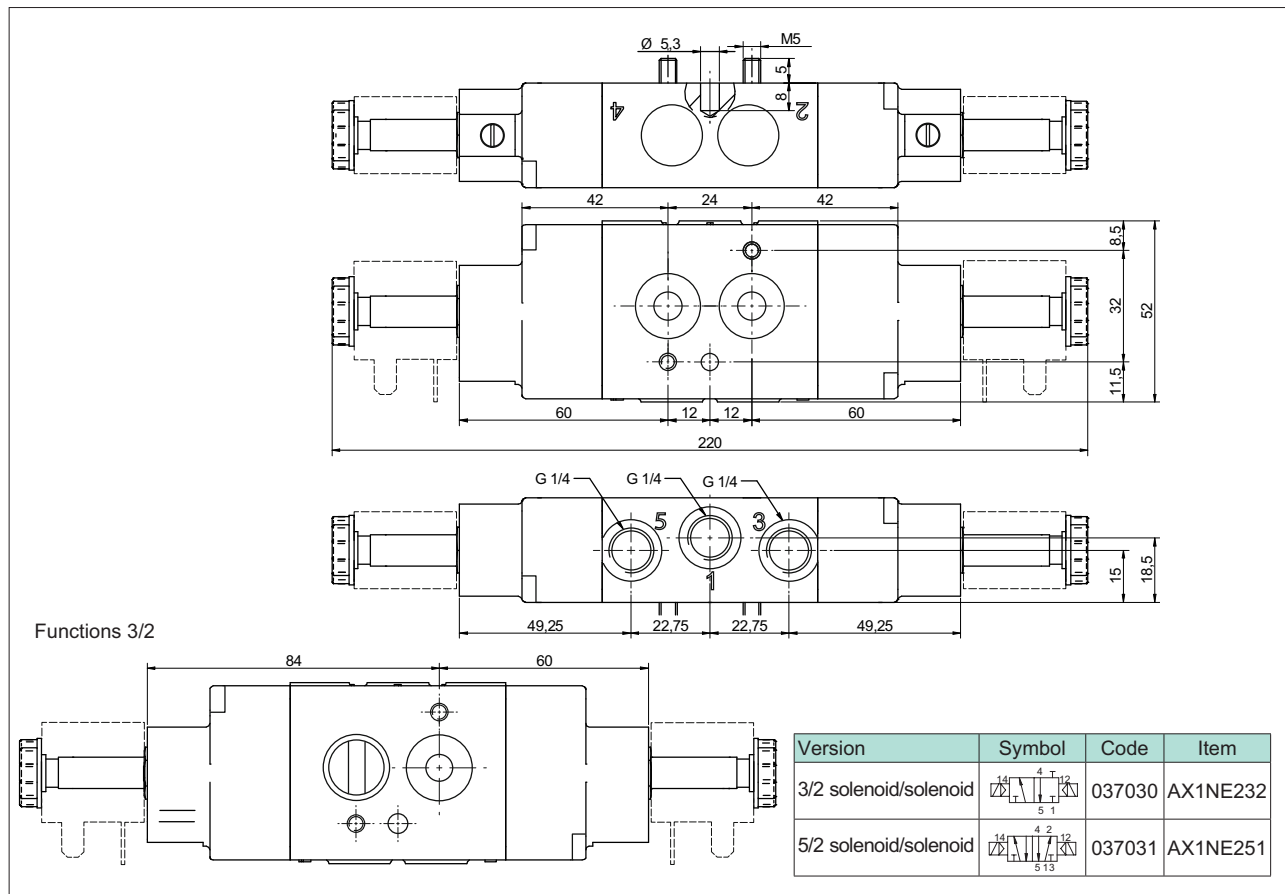
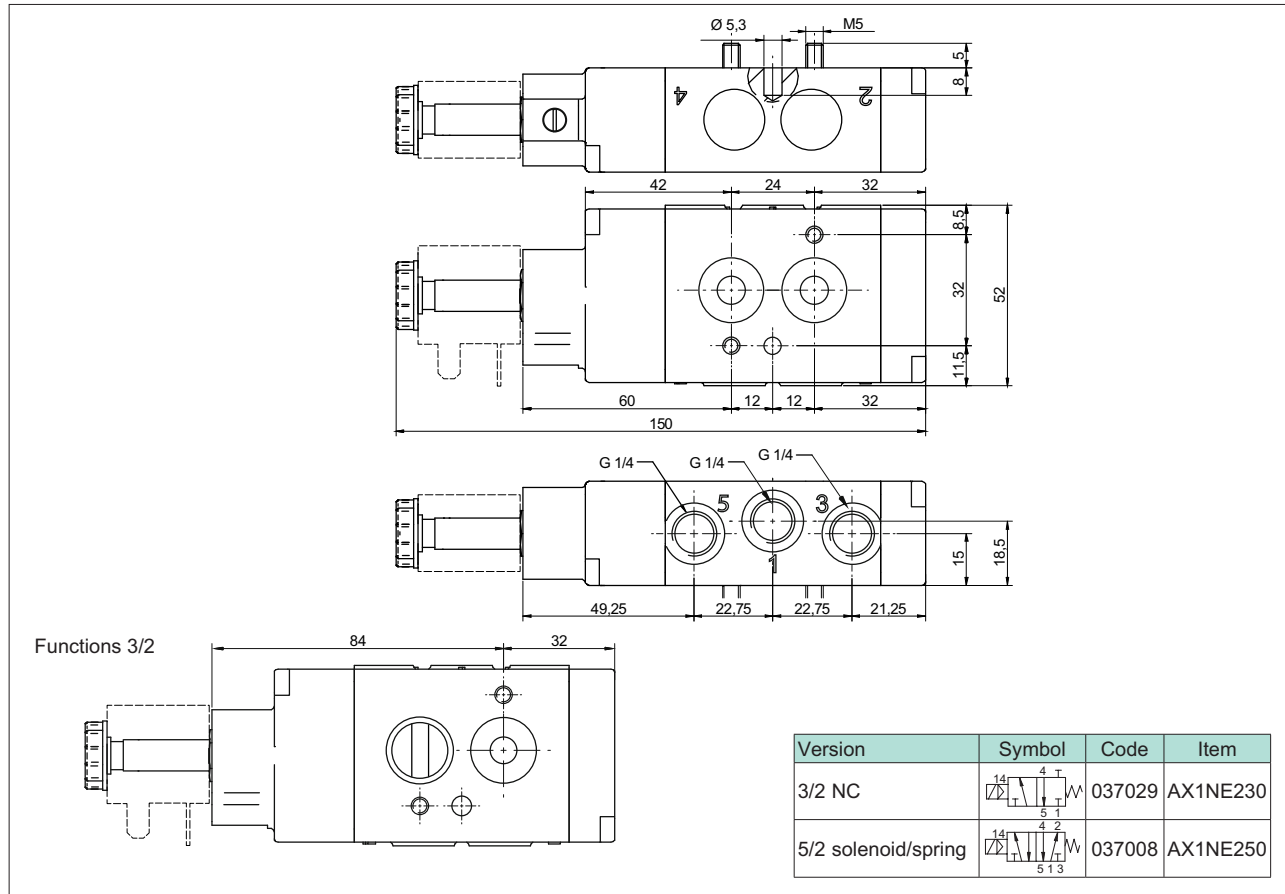
For the ATEX valves with coils Ex see version XX-XA-XB-XC-XD from page 5.81.1

Code key				
Series	Actuation	Size	Function	Option
AX1N = NAMUR AXX1N= NAMUR Completely in stainless steel	E = electrical Ø9 EG = electrical Ø13*	2 = 1/4 Gas 2N= 1/4 NPT	30 = 3/2 NC 32 = 3/2 solenoid/solenoid 50 = 5/2 solenoid/spring 51 = 5/2 solenoid/solenoid	V = Seals FKM

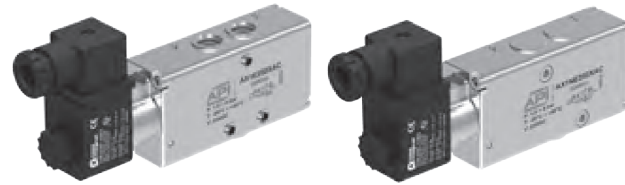
* For actuation EG/KG use coils type ASA34

Technical data	
Fluid	Compressed filtered air with or without lubrication. Lubrication, if started, must be continued.
Threaded connection	1/4 Gas - 1/4 NPT
Pressure range	Standard Spring return: 1,5 ÷ 10 bar (E) Bistable: 1 ÷ 10 bar (E)
	High pressure Spring return: 1,5 ÷ 12 bar (EG) Bistable: 1 ÷ 12 bar (EG)
Minimum external air pressure	1,5 bar (K - KG)
Temperature range	-25°C ÷ +70°C
	-10°C ÷ +150°C (V)
Ø Orifice	8 mm
Flow	1.100 NI/min at 6 bar with ΔP 1 bar
Mounting	In any position (vertical assembly is not recommended for bistable valves subjected to vibration)
Manual override	Bistable
Response time (at 6 bar)	Energising: - ms
	De-energising: - ms
Materials	(1) Body: Stainless steel AISI 316L
	(2) Cover: Stainless steel AISI 316L
	(3) Spool: Hard aluminium anodized (AX1 series) Stainless steel AISI 316 (AXX1 series)
	(4) Distancers: Fortron 1140L4 (AX1 series) Stainless steel AISI 316 (AXX1 series)
	(5) Seals: Hydrogenate Nitrile Butadine Rubber (HNBR)
	(6) Spring: Stainless steel
	(7) Operator: Stainless steel





Standard executions		
Version	Symbol	Code
3/2 NC		For code key see the table below
3/2 NO		
3/2 solenoid/solenoid		
5/2 solenoid/spring		
5/2 solenoid/solenoid		
5/2 solenoid/solenoid differential		
5/3 closed centres		
5/3 open centres		
5/3 pressurised centres		



New

New series of "AX" valves with functions 3/2 - 5/2 - 5/3 connection in line on the body or NAMUR. Electric and electric servo pilot.

They are manufactured in AISI 316L stainless steel, especially suitable in the food, chemical, pharmaceutical, Oil & Gas and mining industry.

AX valves are manufactured according to 2014/34/EU Directive to be used in potentially explosive environment.

Low consumption solenoid operator, conforming to 2014/34/EU Directive, certified:

II 2G Ex ia IIC T6

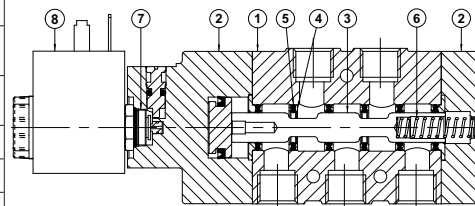
Connectors are to be ordered separately:

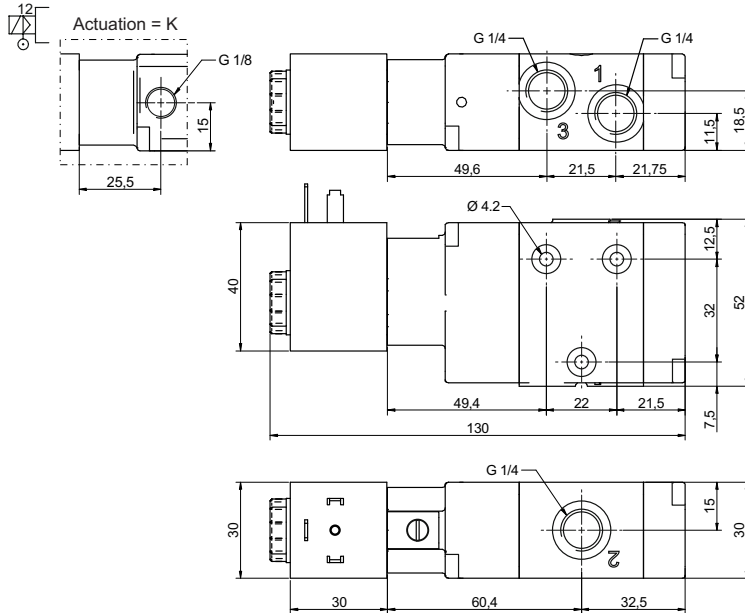
For connector type A18209N/ATEX

see page 2.210.50

Code key					
Series	Actuation	Size	Function	Hazardous areas	Voltages
AX1 = Standard AXX1 = Completely in stainless steel AX1N = NAMUR AXX1N = NAMUR Completely in stainless steel	E = electrical Ø9 K = electrical Ø9 external air pilot	2 = 1/4 Gas 2N = 1/4 NPT	30 = 3/2 NC 31 = 3/2 NO 32 = 3/2 solenoid/solenoid 50 = 5/2 solenoid/spring 51 = 5/2 solenoid/solenoid 52 = 5/2 solenoid/solenoid differential 70 = 5/3 CC 71 = 5/3 OC 72 = 5/3 PC	XA = II 2G Ex ia IIC T6	C = 24 VDC

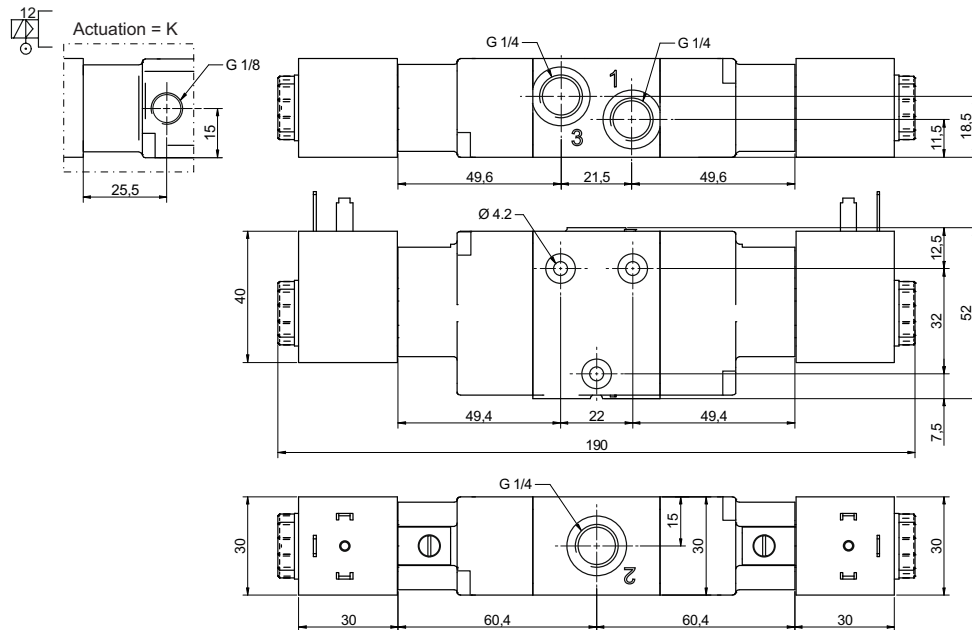
Technical data			
Fluid	Compressed filtered air with or without lubrication. Lubrication, if started, must be continued.		
Threaded connection	1/4 Gas - 1/4 NPT		
Pressure range	Spring return: 1,5 ÷ 8 bar Bistable: 1 ÷ 8 bar 3 position: 2,5 ÷ 8 bar		
Minimum external air pressure	2 bar		
Temperature range	-25°C + 50°C		
Ø Orifice	8 mm		
Flow	1.100 NI/min at 6 bar with ΔP 1 bar		
Mounting	In any position (vertical assembly is not recommended for bistable valves subjected to vibration)		
Manual override	Bistable		
Electrical characteristic	Nominal voltage	21.6 ÷ 28 VDC	
	Max voltage	32 VDC	
	Nominal current	0.195 A (at 32 VDC)	
	Nominal power	1.6 W (at 32 VDC)	
	Duty cycle	100% ED	
	Temp. class	T6	
Response time (at 6 bar)	Energising: - ms	Energising: - ms	Energising: - ms
	De-energising: - ms	De-energising: - ms	De-energising: - ms
Materials	(1) Body:	Stainless steel AISI 316L	
	(2) Cover:	Stainless steel AISI 316L	
	(3) Spool:	Hard aluminium anodized (AX series) Stainless steel AISI 316 (AXX series)	
	(4) Distancers:	Fortron 1140L4 (AX series) Stainless steel AISI 316 (AXX series)	
	(5) Seals:	Hydrogenate Nitrile Butadine Rubber (HNBR)	
	(6) Spring:	Stainless steel	
	(7) Operator:	Brass	
	(8) Coil:	Thermoset resin	





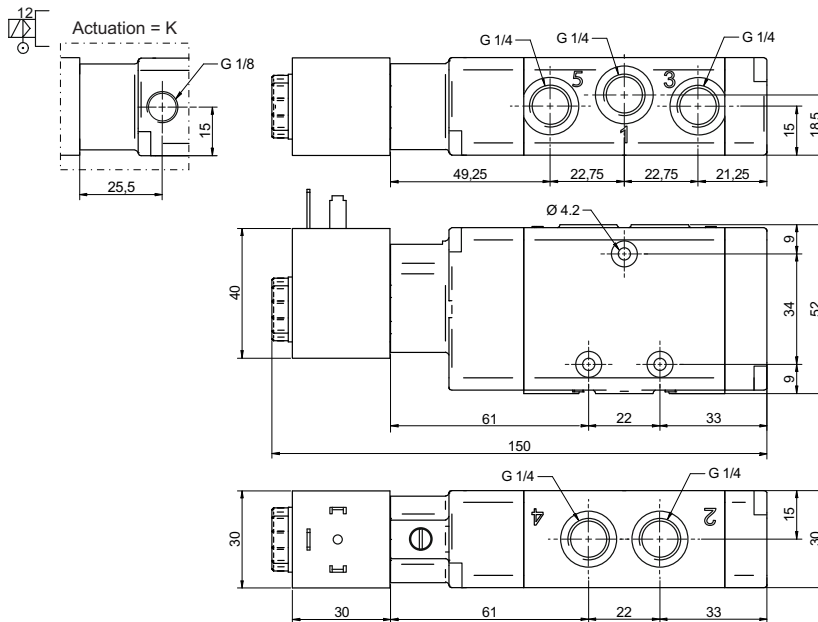
Version	Symbol	Code	Item
3/2 NC			AX1E230XAC
3/2 NO			AX1E231XAC
3/2 NC external air pilot			AX1K230XAC

* For coil voltage: see code key at page 5.82.1



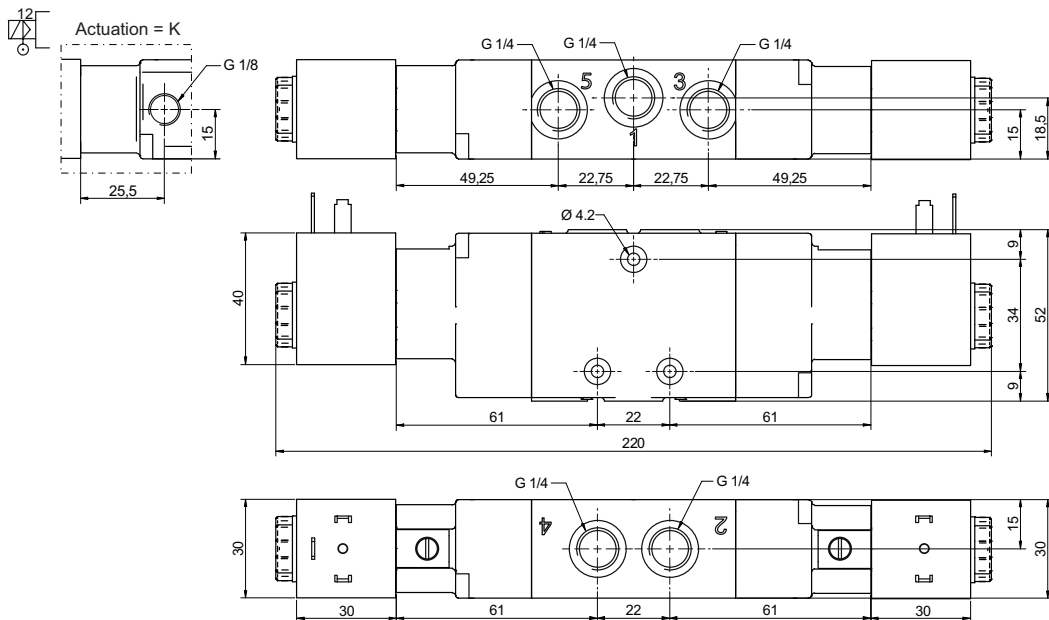
Version	Symbol	Code	Item
3/2 solenoid/solenoid			AX1E232XAC
3/2 solenoid/solenoid external air pilot			AX1K232XAC

* For coil voltage: see code key at page 5.82.1



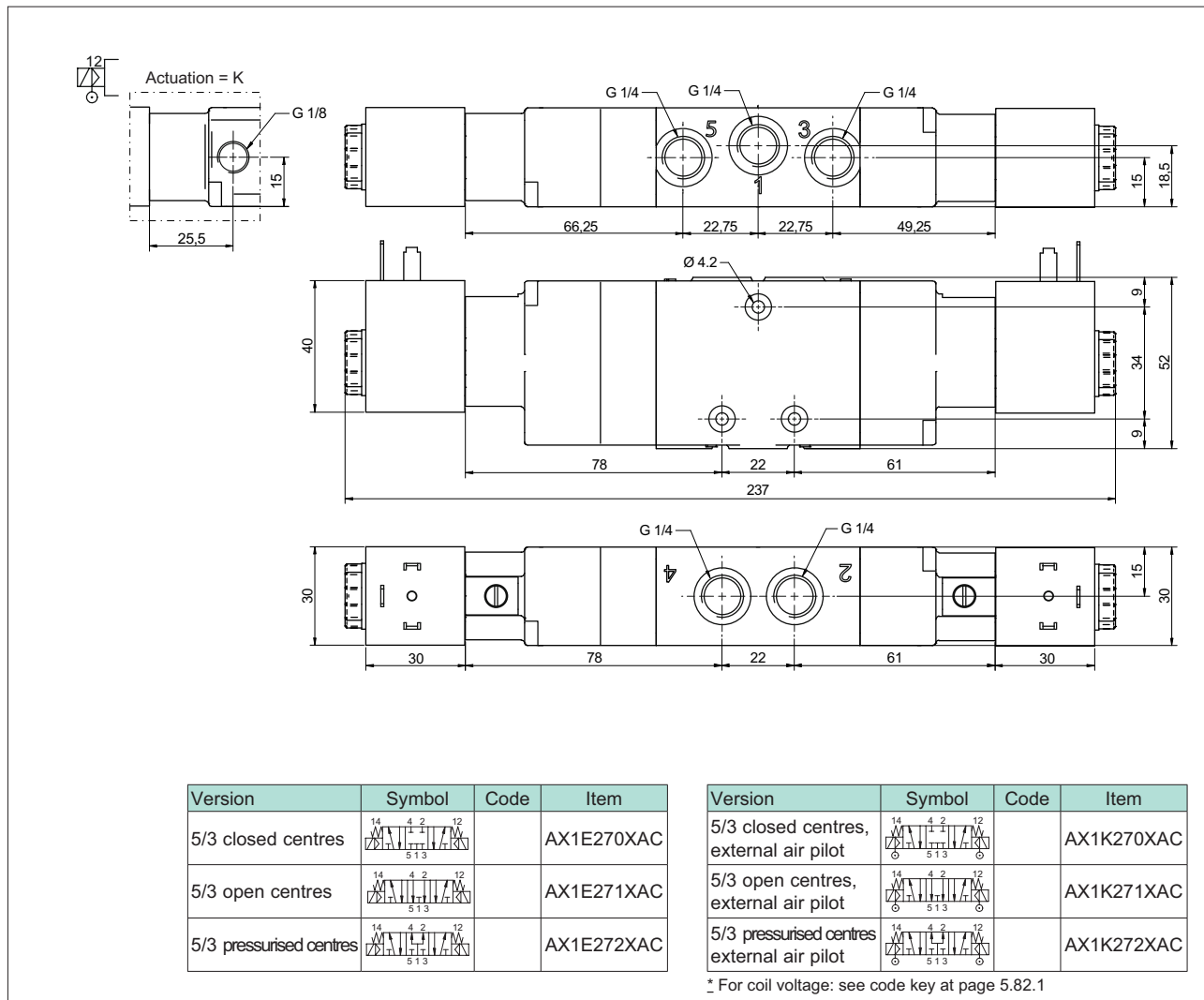
Version	Symbol	Code	Item
5/2 solenoid/spring			AX1E250XAC

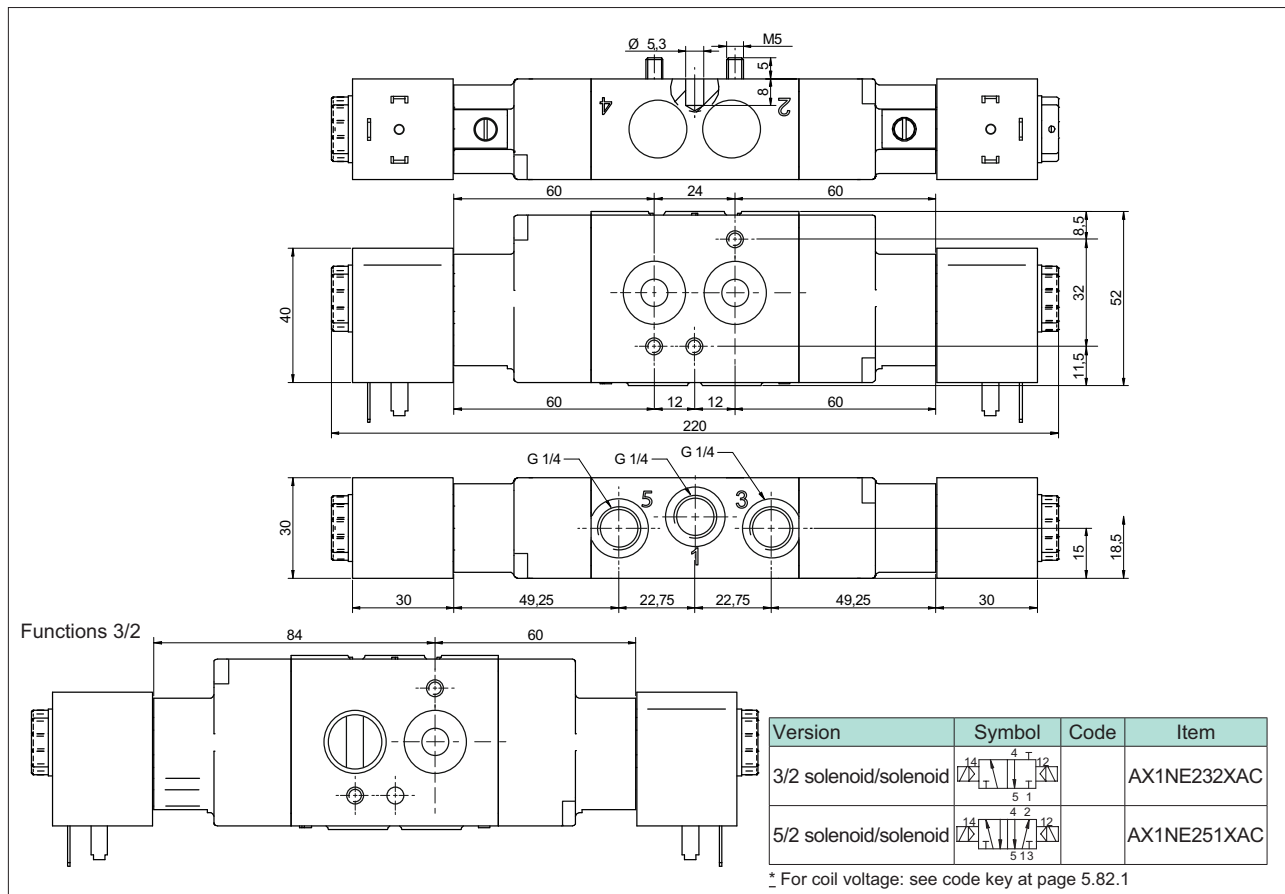
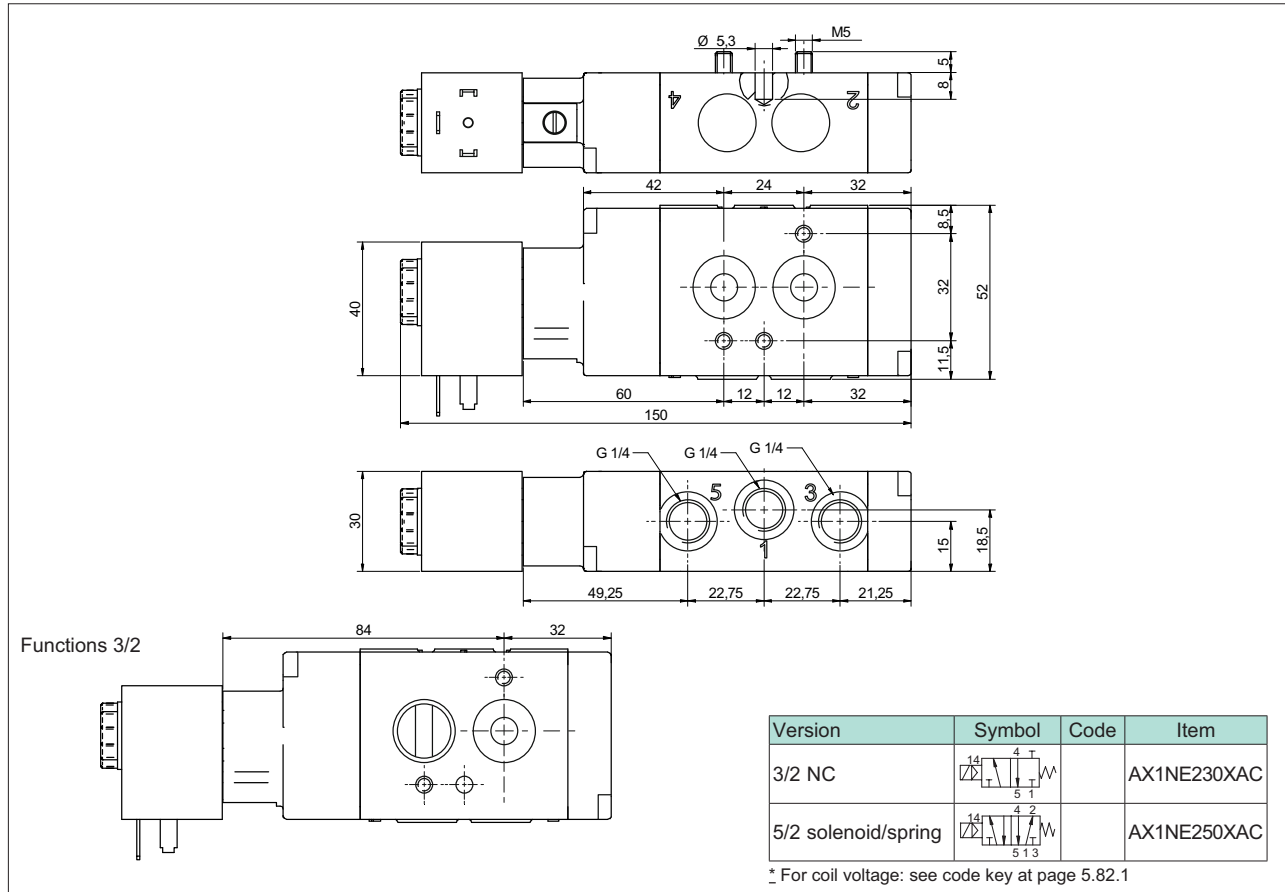
* For coil voltage: see code key at page 5.82.1



Version	Symbol	Code	Item
5/2 solenoid/solenoid			AX1E251XAC
5/2 solenoid/solenoid differential			AX1E252XAC

* For coil voltage: see code key at page 5.82.1





New

Standard executions		
Version	Symbol	Code
3/2 NC		For code key see the table below
3/2 NO		
3/2 solenoid/solenoid		
5/2 solenoid/spring		
5/2 solenoid/solenoid		
5/2 solenoid/solenoid differential		
5/3 closed centres		
5/3 open centres		
5/3 pressurised centres		



New series of "AX" valves with functions 3/2 - 5/2 - 5/3 connection in line on the body or NAMUR. Electric and electric servo pilot.

They are manufactured in AISI 316L stainless steel, especially suitable in the food, chemical, pharmaceutical, Oil & Gas and mining industry.

AX valves are manufactured according to 2014/34/EU Directive to be used in potentially explosive environment.

Solenoid operator with a special coil for pneumatic application in potentially explosive environment (group II).

Solenoid system is conforming to 2014/34/EU Directive, certified:

II 3G Ex nA IIC T5 Gc X
II 3D Ex tc IIIC T95°C Dc X

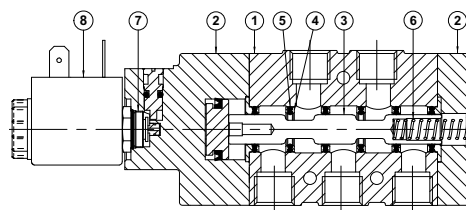
Connectors are to be ordered separately:

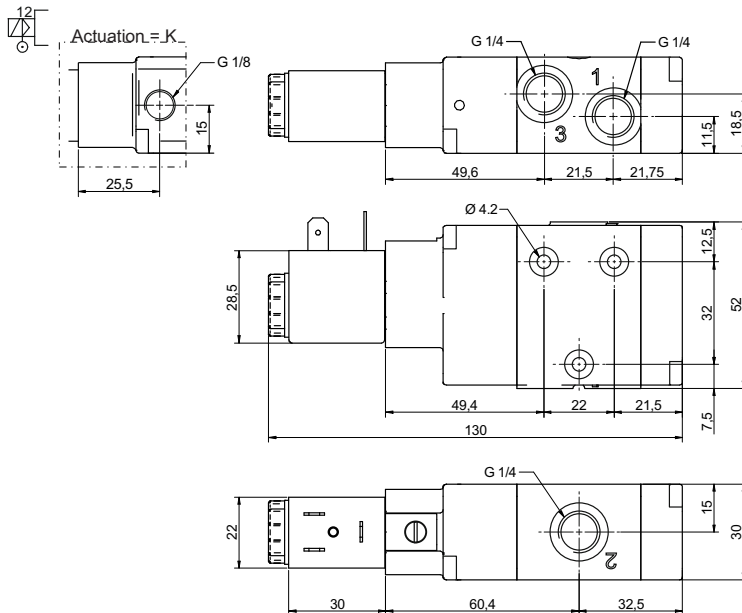
For connector type A12209N/ATEX

see page 2.210.50

Code key					
Series	Actuation	Size	Function	Hazardous areas	Voltages
AX1 = Standard AXX1 = Completely in stainless steel AX1N = NAMUR AXX1N= NAMUR Completely in stainless steel	E = electrical Ø9 K = electrical Ø9 external air pilot	2 = 1/4 Gas 2N = 1/4 NPT	30 = 3/2 NC 31 = 3/2 NO 32 = 3/2 solenoid/solenoid 50 = 5/2 solenoid/spring 51 = 5/2 solenoid/solenoid 52 = 5/2 solenoid/solenoid differential 70 = 5/3 CC 71 = 5/3 OC 72 = 5/3 PC	XX = II 3G Ex nA IIC T5 Gc X II 3D Ex tc IIIC T95°C Dc X	B = 12 VDC C = 24 VDC * F = 24 VAC * I = 110 VAC * O = 220 VAC * P = 230 VAC * = Standard voltages

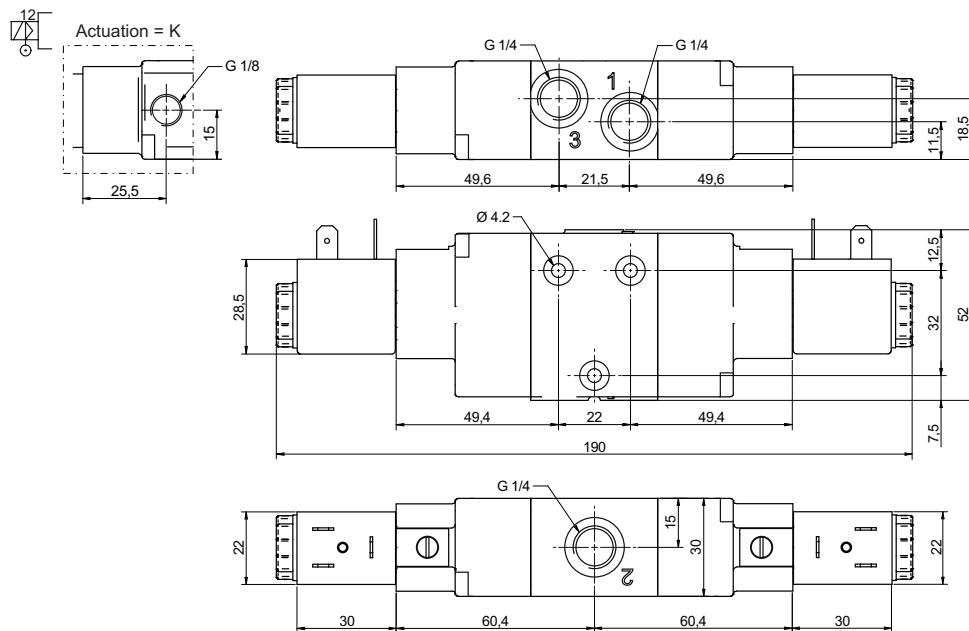
Technical data							
Fluid	Compressed filtered air with or without lubrication. Lubrication, if started, must be continued.						
Threaded connection	1/4 Gas - 1/4 NPT						
Pressure range	Spring return: 1,5 ÷ 10 bar	Bistable: 1 ÷ 10 bar		3 position: 2,5 ÷ 10 bar			
Temperature range	-15°C ÷ +50°C						
Ø Orifice	8 mm						
Flow	1.100 NI/min at 6 bar with ΔP 1 bar						
Mounting	In any position (vertical assembly is not recommended for bistable valves subjected to vibration)						
Manual override	Bistable						
Electrical characteristic	Nominal voltage	12 VDC	24 VDC	24 VAC	110 VAC	220 VAC	
	Frequency	-	-	50 / 60 Hz	50 / 60 Hz	50 / 60 Hz	
	Nominal current	0.250 A	0.120 A	0.208 A	0.045 A	-0.023 A	
	Nominal power	3 W	3 W	5 VA	5 VA	5 VA	
	Duty cycle	100% ED					
	Temp. class	T5					
Response time (at 6 bar)	Energising: - ms			Energising: - ms		Energising: - ms	
	De-energising: - ms			De-energising: - ms		De-energising: - ms	
Materials	(1) Body:	Stainless steel AISI 316L					
	(2) Cover:	Stainless steel AISI 316L					
	(3) Spool:	Hard anodized aluminium (AX series) Stainless steel AISI 316 (AXX series)					
	(4) Distancers:	Fortron 1140L4 (AX series) Stainless steel AISI 316 (AXX series)					
	(5) Seals:	Hydrogenate Nitrile Butadine Rubber (HNBR)					
	(6) Spring	Stainless steel					
	(7) Operator:	Stainless steel					
	(8) Coil:	Thermoset resin					





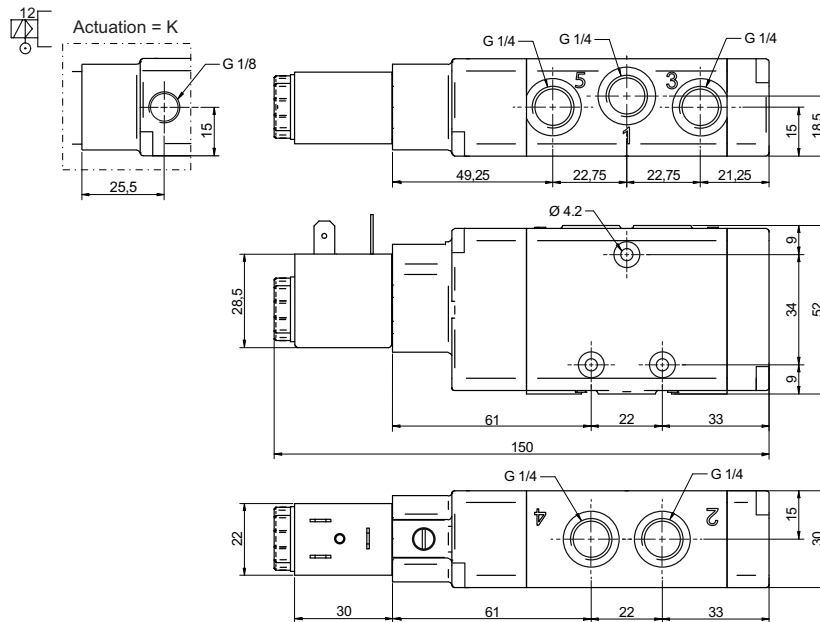
Version	Symbol	Code	Item
3/2 NC			AX1E230XX*
3/2 NO			AX1E231XX*
3/2 NC external air pilot			AX1K230XX*

* For coil voltage: see code key at page 5.81.1



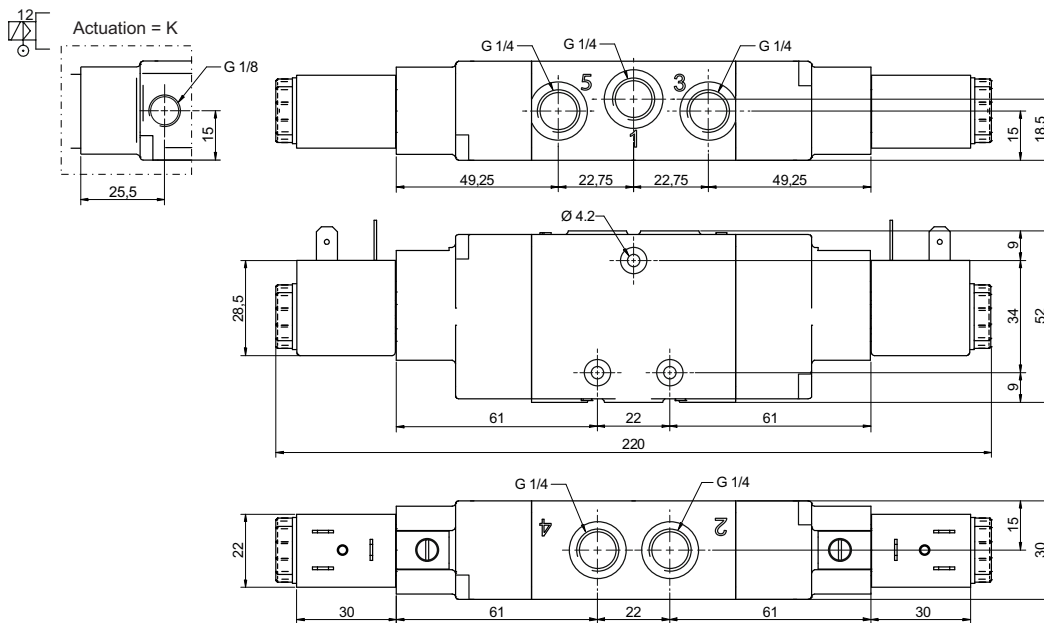
Version	Symbol	Code	Item
3/2 solenoid/solenoid			AX1E232XX*
3/2 solenoid/solenoid external air pilot			AX1K232XX*

* For coil voltage: see code key at page 5.81.1



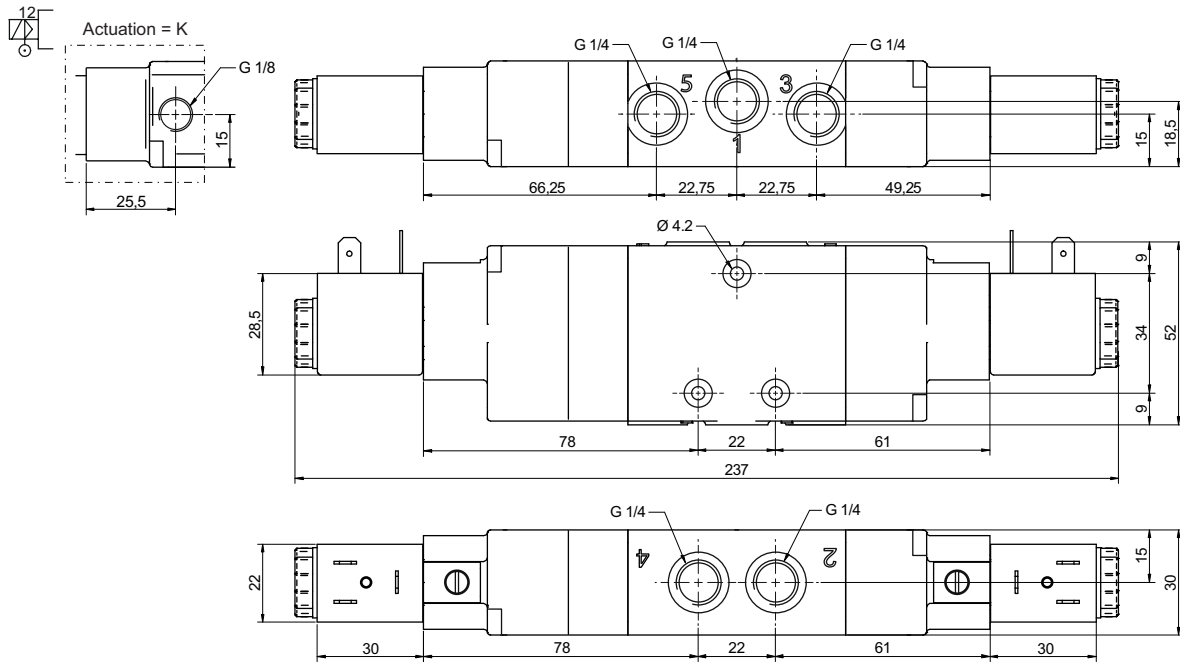
Version	Symbol	Code	Item
5/2 solenoid/spring			AX1E250XX*

* For coil voltage: see code key at page 5.81.1



Version	Symbol	Code	Item
5/2 solenoid/solenoid			AX1E251XX*
5/2 solenoid/solenoid differential			AX1E252XX*

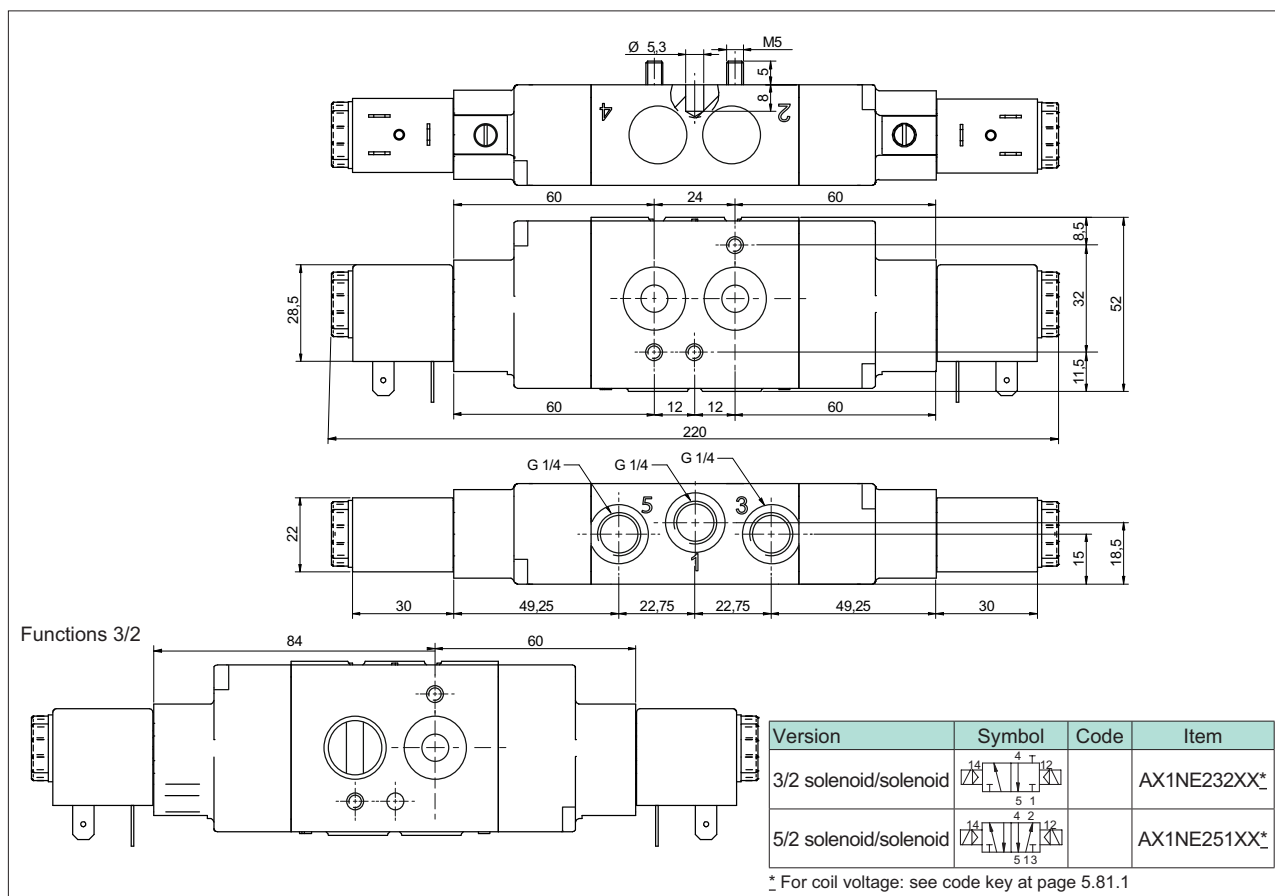
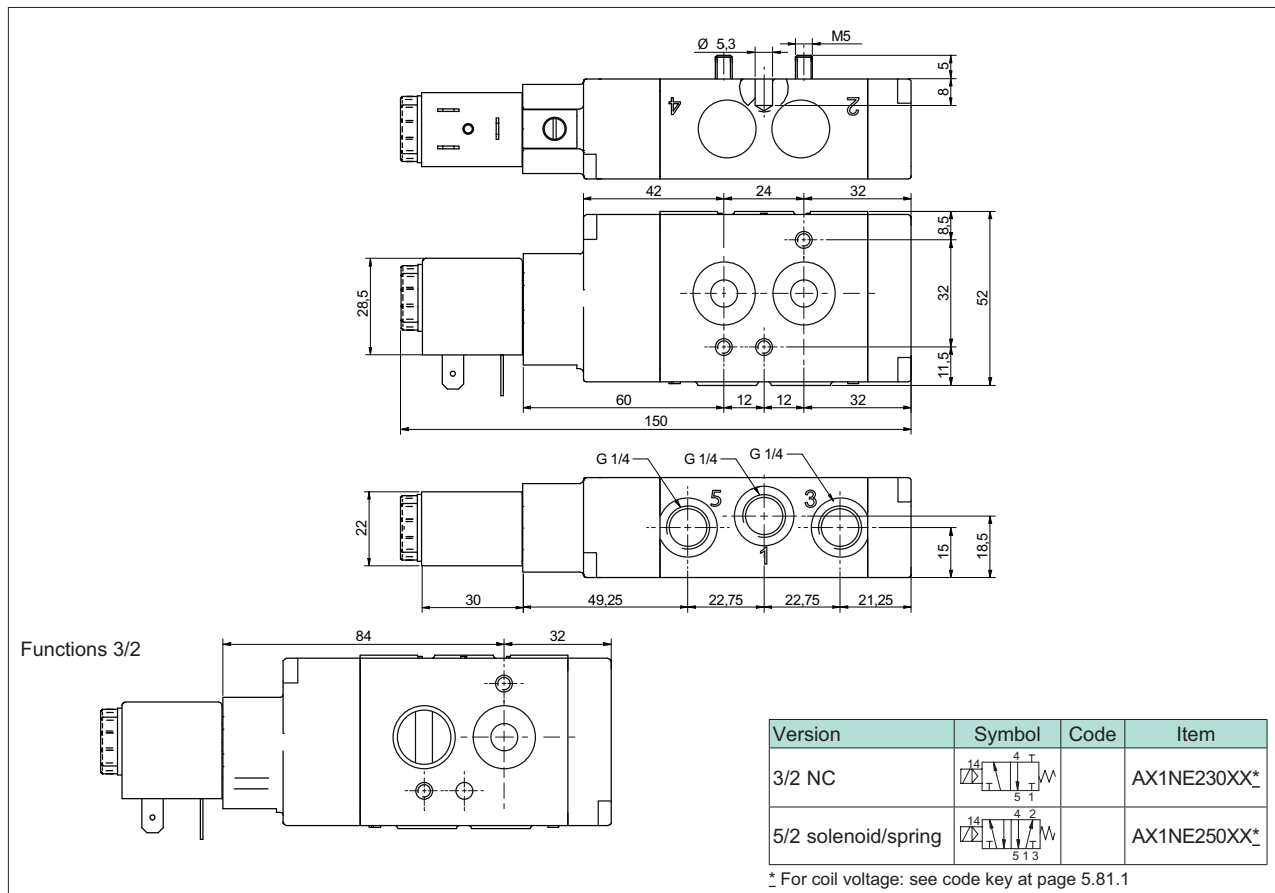
* For coil voltage: see code key at page 5.81.1



Version	Symbol	Code	Item
5/3 closed centres			AX1E270XX*
5/3 open centres			AX1E271XX*
5/3 pressurised centres			AX1E272XX*

Version	Symbol	Code	Item
5/3 closed centres, external air pilot			AX1K270XX*
5/3 open centres, external air pilot			AX1K271XX*
5/3 pressurised centres external air pilot			AX1K272XX*

* For coil voltage: see code key at page 5.81.1



New



New series of "AX" valves with functions 3/2 - 5/2 - 5/3 connection in line on the body or NAMUR. Electric and electric servo pilot.

They are manufactured in AISI 316L stainless steel, especially suitable in the food, chemical, pharmaceutical, Oil & Gas and mining industry.

AX valves are manufactured according to 2014/34/EU Directive to be used in potentially explosive environment.

Solenoid operator with a special coil for pneumatic application in potentially explosive environment (group II). The protection is assured by a thermal fuse that, in case of damage, disconnects the coil from power.

Solenoid system is conforming to 2014/34/EU Directive, certified:



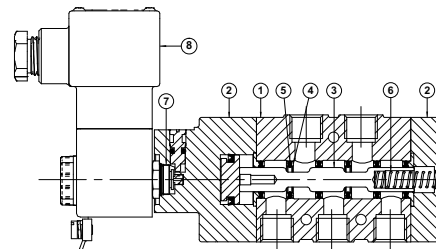
II 2G Ex db mb IIC T5 Gb
II 2D Ex tb IIIC T95°C IP66 Db

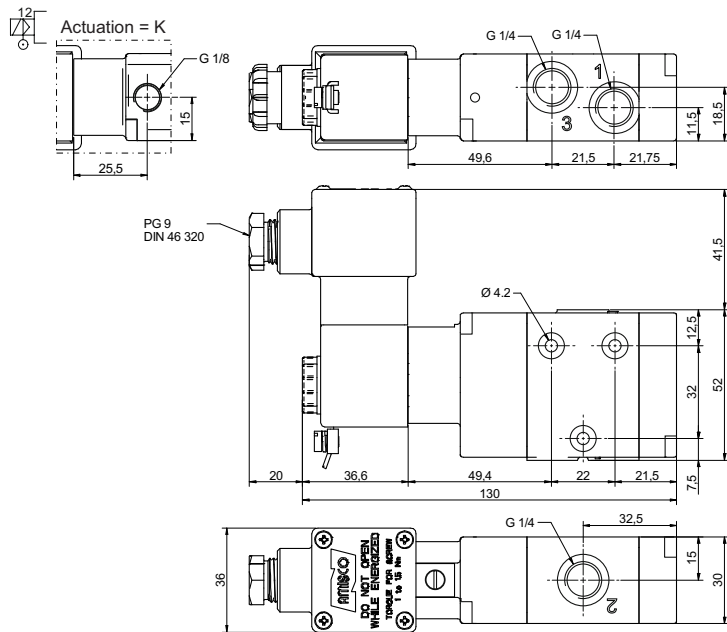
Standard executions		
Version	Symbol	Code
3/2 NC		For code key see the table below
3/2 NO		
3/2 solenoid/solenoid		
5/2 solenoid/spring		
5/2 solenoid/solenoid		
5/2 solenoid/solenoid differential		
5/3 closed centres		
5/3 open centres		
5/3 pressurised centres		

Note	Code	Item
Distancer for NAMUR body (see page 2.88.10)	034203	PSN 3/2
	034166	PSN 5/2

Code key					
Series	Actuation	Size	Function	Hazardous areas	Voltages
AX1 = Standard AXX1 = Completely in stainless steel AX1N = NAMUR AXX1N = NAMUR Completely in stainless steel	E = electrical Ø9 K = electrical Ø9 external air pilot	2 = 1/4 Gas 2N = 1/4 NPT	30 = 3/2 NC 31 = 3/2 NO 32 = 3/2 solenoid/solenoid 50 = 5/2 solenoid/spring 51 = 5/2 solenoid/solenoid 52 = 5/2 solenoid/solenoid differential 70 = 5/3 CC 71 = 5/3 OC 72 = 5/3 PC	XB = II 2G Ex db mb IIC T5 Gb II 2D Ex tb IIIC T95°C IP66 Db	A = 6 VDC B = 12 VDC C = 24 VDC * D = 48 VDC E = 12 VAC F = 24 VAC G = 48 VAC H = 100 VAC I = 110 VAC L = 115 VAC M = 120 VAC O = 220 VAC P = 230 VAC Q = 240 VAC * = Standard voltages

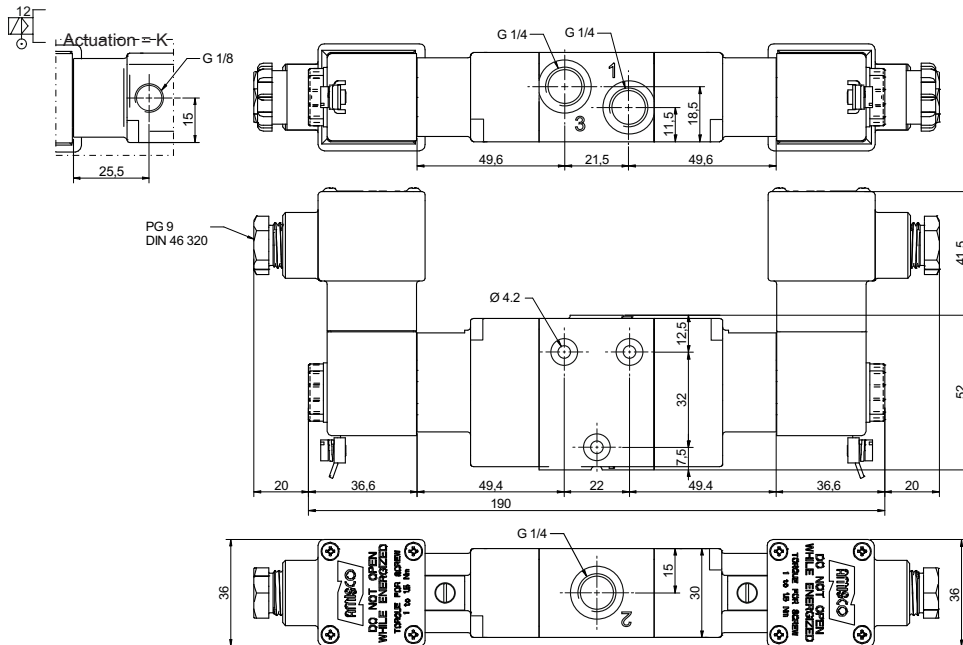
Technical data		
Fluid	Compressed filtered air with or without lubrication. Lubrication, if started, must be continued.	
Threaded connection	1/4 Gas - 1/4 NPT	
Pressure range	Spring return: 1.5 ÷ 10 bar Bistable: 1 ÷ 10 bar 3 position: 2.5 ÷ 10 bar	
Minimum external air pressure	1.5 bar	
Temperature range	-25°C + +50°C	
Ø Orifice	8 mm	
Flow	1.100 Nl/min at 6 bar with ΔP 1 bar	
Mounting	In any position (vertical assembly is not recommended for bistable valves subjected to vibration)	
Manual override	Bistable	
Electrical characteristic	Nominal voltage	6VDC 12VDC 24VDC 48VDC 12VAC 24VAC 48VAC 100VAC 110VAC 115VAC 120VAC 220VAC 230VAC 240VAC
	Frequency	- - - - 50/60 Hz 50/60 Hz 50/60 Hz 50/60 Hz 50/60 Hz 50/60 Hz 50/60 Hz 50/60 Hz 50/60 Hz
	Nominal current	0.510 A 0.250 A 0.125 A 0.063 A 0.270 A 0.133 A 0.067 A 0.032 A 0.029 A 0.028 A 0.027 A 0.014 A 0.014 A 0.013 A
	Nominal power	3W 3W 3W 3W 3.2VA 3.2VA 3.2VA 3.2VA 3.2VA 3.2VA 3.2VA 3.2VA 3.2VA 3.2VA
	Duty cycle	100% ED
Response time (at 6 bar)	Energising: - ms	Energising: - ms
	De-energising: - ms	De-energising: - ms
Materials	(1) Body:	Stainless steel AISI 316L
	(2) Cover:	Stainless steel AISI 316L
	(3) Spool:	Hard aluminium anodized (AX series) Stainless steel AISI 316 (AXX series)
	(4) Distancers:	Fortron 1140L4 (AX series) Stainless steel AISI 316 (AXX series)
	(5) Seals:	Hydrogenate Nitrile Butadine Rubber (HNBR)
	(6) Spring:	Stainless steel
	(7) Operator:	Stainless steel
	(8) Coil:	Thermoset resin





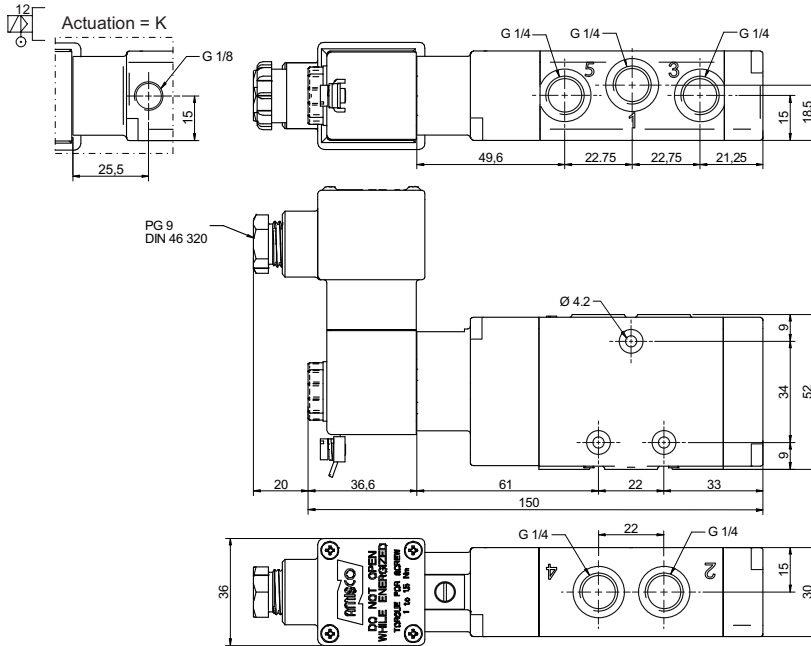
Version	Symbol	Code	Item
3/2 NC			AX1E230XB*
3/2 NO			AX1E231XB*
3/2 NC external air pilot			AX1K230XB*

* For coil voltage: see code key at page 5.83.1



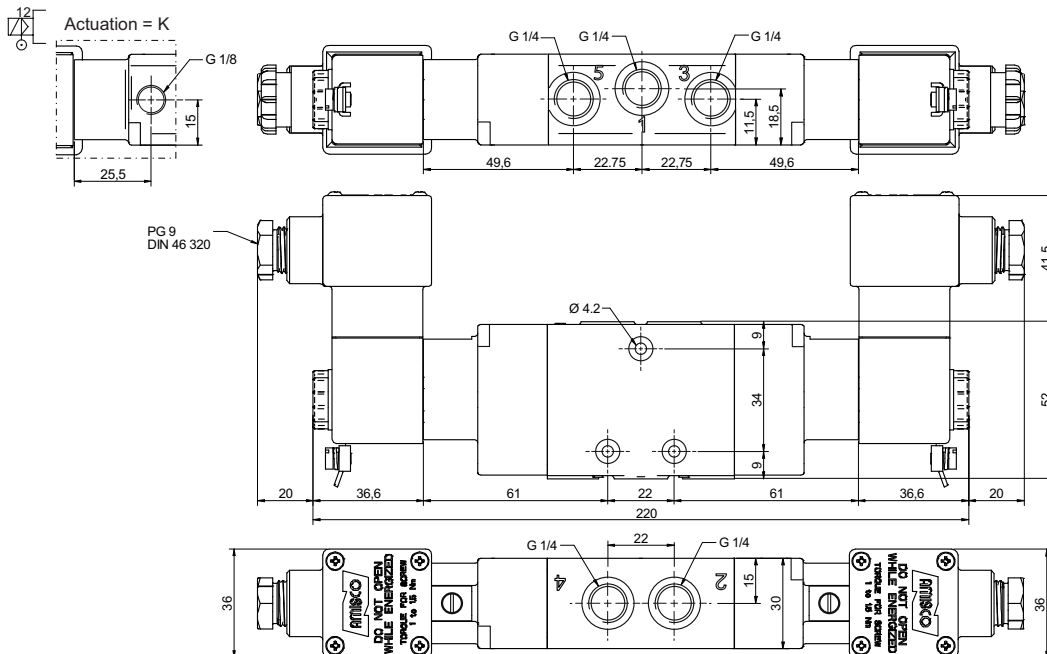
Version	Symbol	Code	Item
3/2 solenoid/solenoid			AX1E232XB*
3/2 solenoid/solenoid external air pilot			AX1K232XB*

* For coil voltage: see code key at page 5.83.1



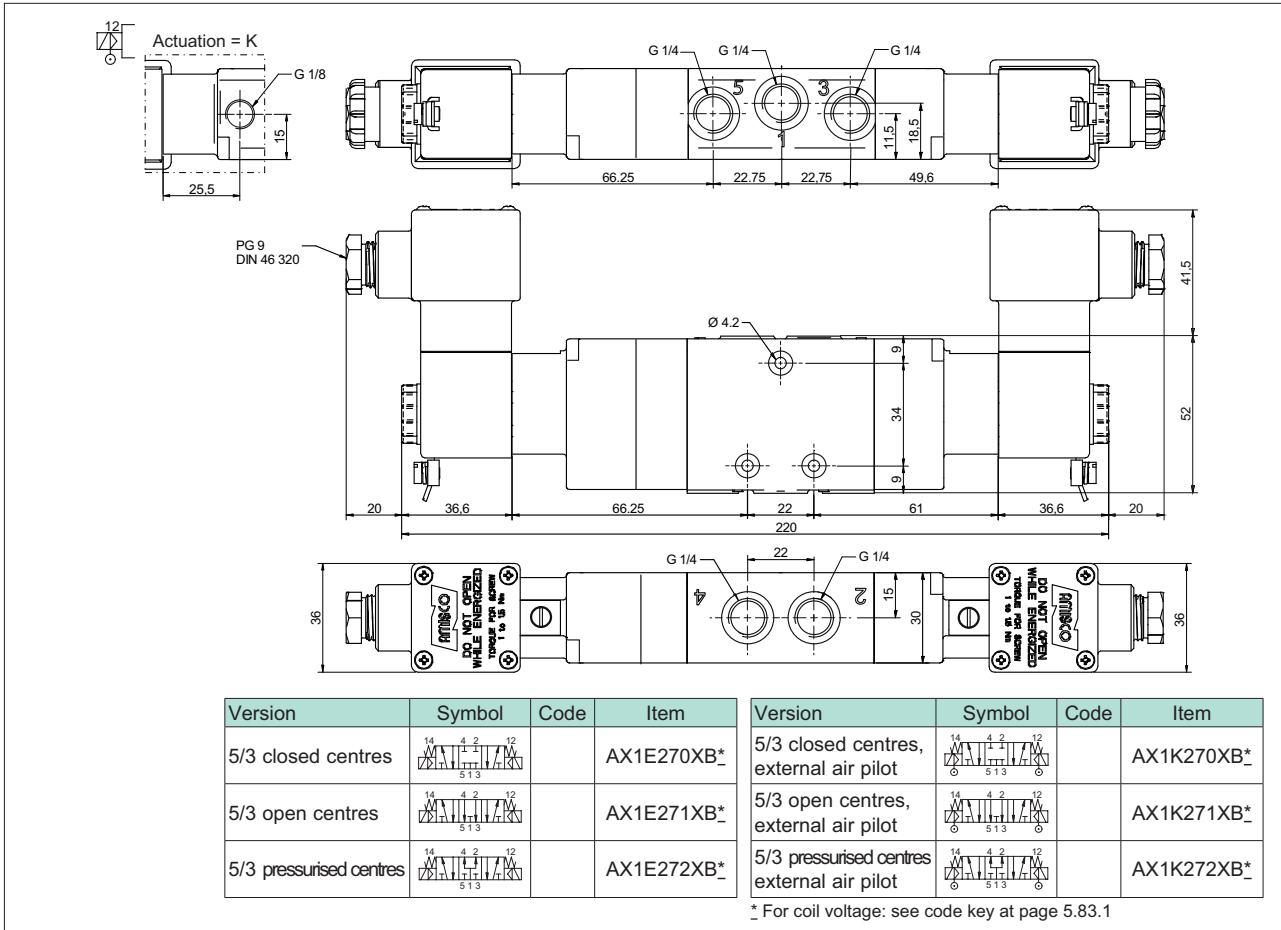
Version	Symbol	Code	Item
5/2 solenoid/spring			AX1E250XB*

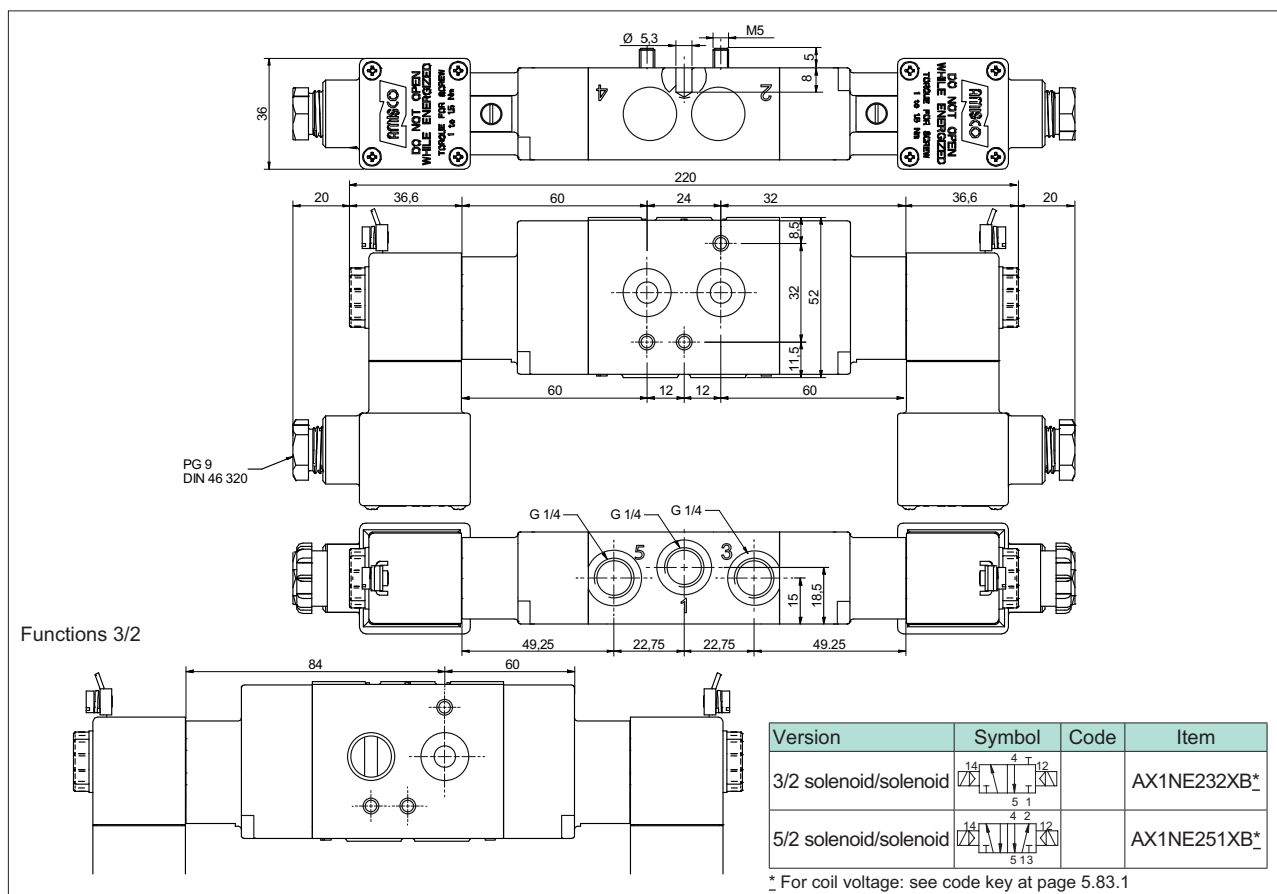
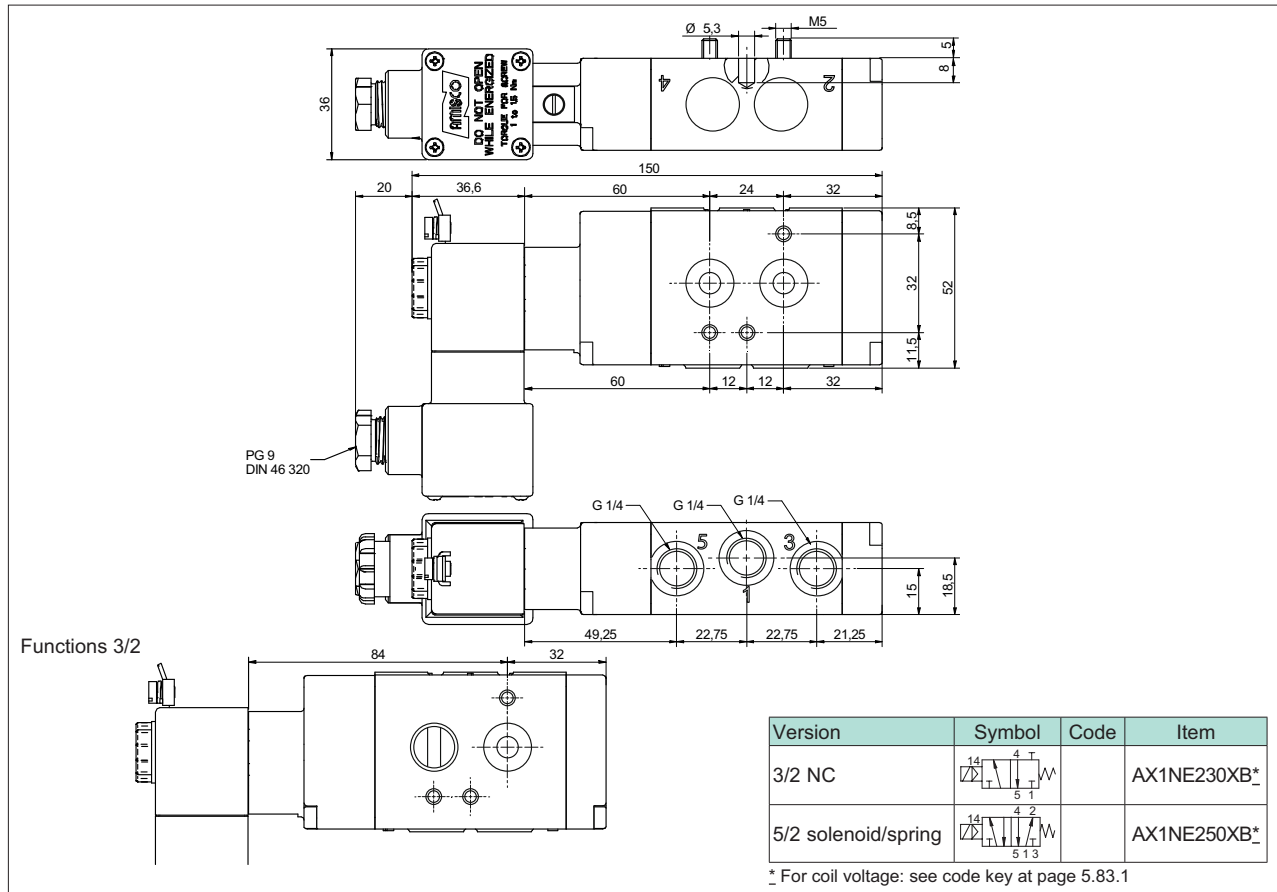
* For coil voltage: see code key at page 5.83.1



Version	Symbol	Code	Item
5/2 solenoid/solenoid			AX1E251XB*
5/2 solenoid/solenoid differential			AX1E252XB*

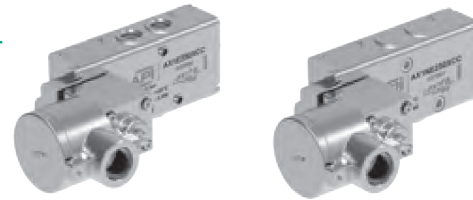
* For coil voltage: see code key at page 5.83.1





Standard executions		
Version	Symbol	Code
3/2 NC		For code key see the table below
3/2 NO		
3/2 solenoid/solenoid		
5/2 solenoid/spring		
5/2 solenoid/solenoid		
5/2 solenoid/solenoid differential		
5/3 closed centres		
5/3 open centres		
5/3 pressurised centres		

New



New series of "AX" valves with functions 3/2 - 5/2 - 5/3 connection in line on the body or NAMUR. Electric and electric servo pilot.

They are manufactured in AISI 316L stainless steel, especially suitable in the food, chemical, pharmaceutical, Oil & Gas and mining industry.

AX valves are manufactured according to 2014/34/EU Directive to be used in potentially explosive environment.

Flameproof solenoid operator is used extensively to prevent possible overheating or sparking of electrical equipment causing ignition in a potentially explosive atmosphere.

Flameproof solenoid coil is equipped with a robust enclosure which will contain an explosion in case should it occur.

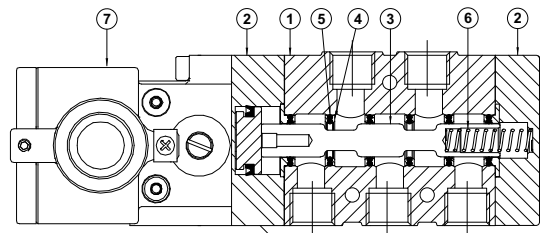
All construction joints in the enclosure are known as flame paths which prevent the transmission of a flame from within the enclosure to the external atmosphere.

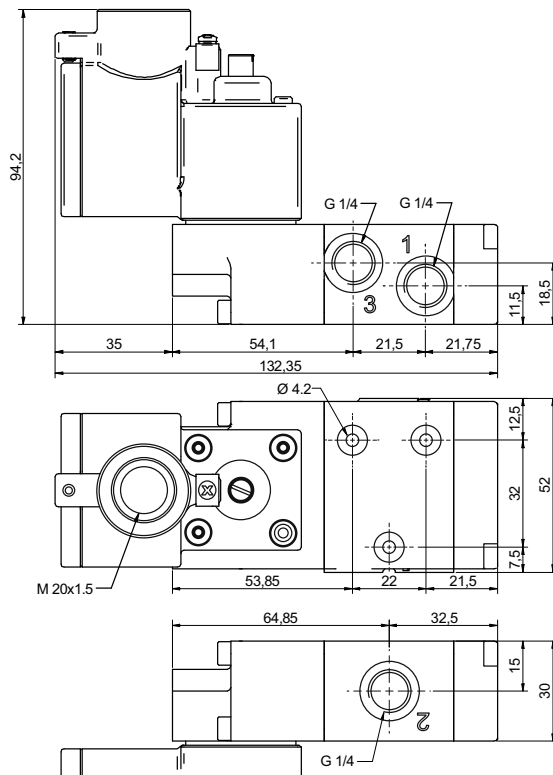


II 2G Ex d IIC T6 Gb

Code key					
Series	Actuation	Size	Function	Hazardous areas	Voltages
AX1 = Standard AXX1 = Completely in stainless steel AX1N = NAMUR AXX1N = NAMUR Completely in stainless steel	E = electrical Ø9	2 = 1/4 Gas 2N = 1/4 NPT	30 = 3/2 NC 31 = 3/2 NO 32 = 3/2 solenoid/solenoid 50 = 5/2 solenoid/spring 51 = 5/2 solenoid/solenoid 52 = 5/2 solenoid/solenoid differential 70 = 5/3 CC 71 = 5/3 OC 72 = 5/3 PC	XC = II 2G Ex d IIC T6 Gb	B = 12 VDC C = 24 VDC * F = 24 VAC * I = 110 VAC * M = 120 VAC O = 220 VAC * Q = 240 VAC
					* = Standard voltages

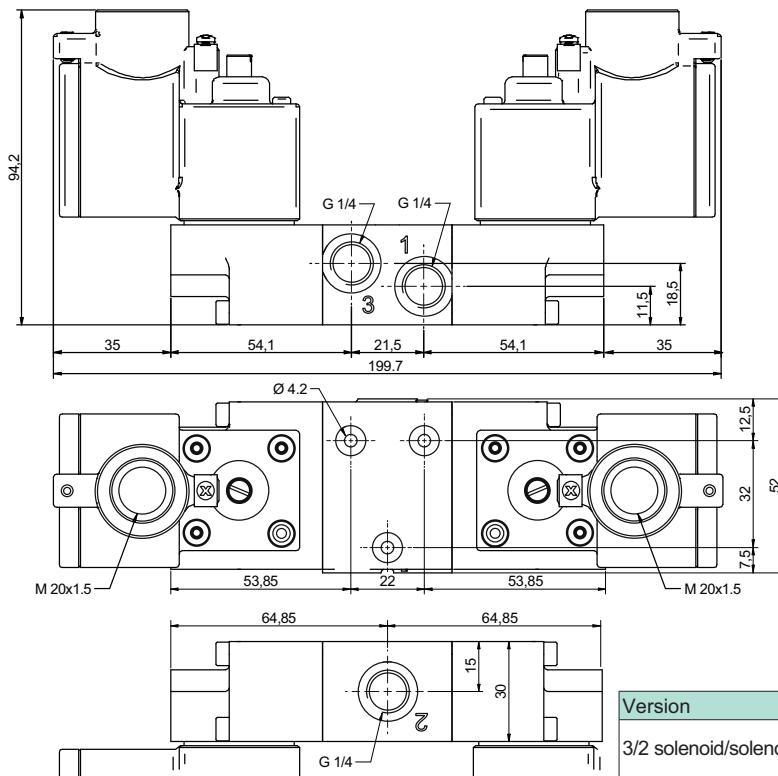
Technical data									
Fluid		Compressed filtered air with or without lubrication. Lubrication, if started, must be continued.							
Threaded connection		1/4 Gas - 1/4 NPT							
Pressure range		Spring return: 2 + 8 bar		Bistable: 2 + 8 bar		3 position: 2 + 8 bar			
Temperature range		-20°C + +60°C							
Ø Orifice		8 mm							
Flow		1.100 NI/min at 6 bar with ΔP 1 bar							
Mounting		In any position (vertical assembly is not recommended for bistable valves subjected to vibration)							
Manual override		Bistable							
Electrical characteristic	Nominal voltage	12 VDC	24 VDC	24 VAC	110 VAC	120 VAC	220 VAC	240 VAC	
	Frequency	-	-	50 / 60 Hz	50 / 60 Hz	50 / 60 Hz	50 / 60 Hz	50 / 60 Hz	
	Nominal current								
	Nominal power	3.5 W	3.5 W	4 VA	4 VA	4 VA	4 VA	4 VA	
	Duty cycle	100% ED							
	Temp. class	T6							
Response time (at 6 bar)		Energising: - ms		Energising: - ms		Energising: - ms			
		De-energising: - ms		De-energising: - ms		De-energising: - ms			
Materials	(1) Body:	Stainless steel AISI 316L							
	(2) Cover:	Stainless steel AISI 316L							
	(3) Spool:	Hard aluminium anodized (AX series) Stainless steel AISI 316 (AXX series)							
	(4) Distancers:	Fortron 1140L4 (AX series) Stainless steel AISI 316 (AXX series)							
	(5) Seals:	Hydrogenate Nitrile Butadine Rubber (HNBR)							
	(6) Spring	Stainless steel							
	(7) Operator:	Stainless steel AISI 316L							





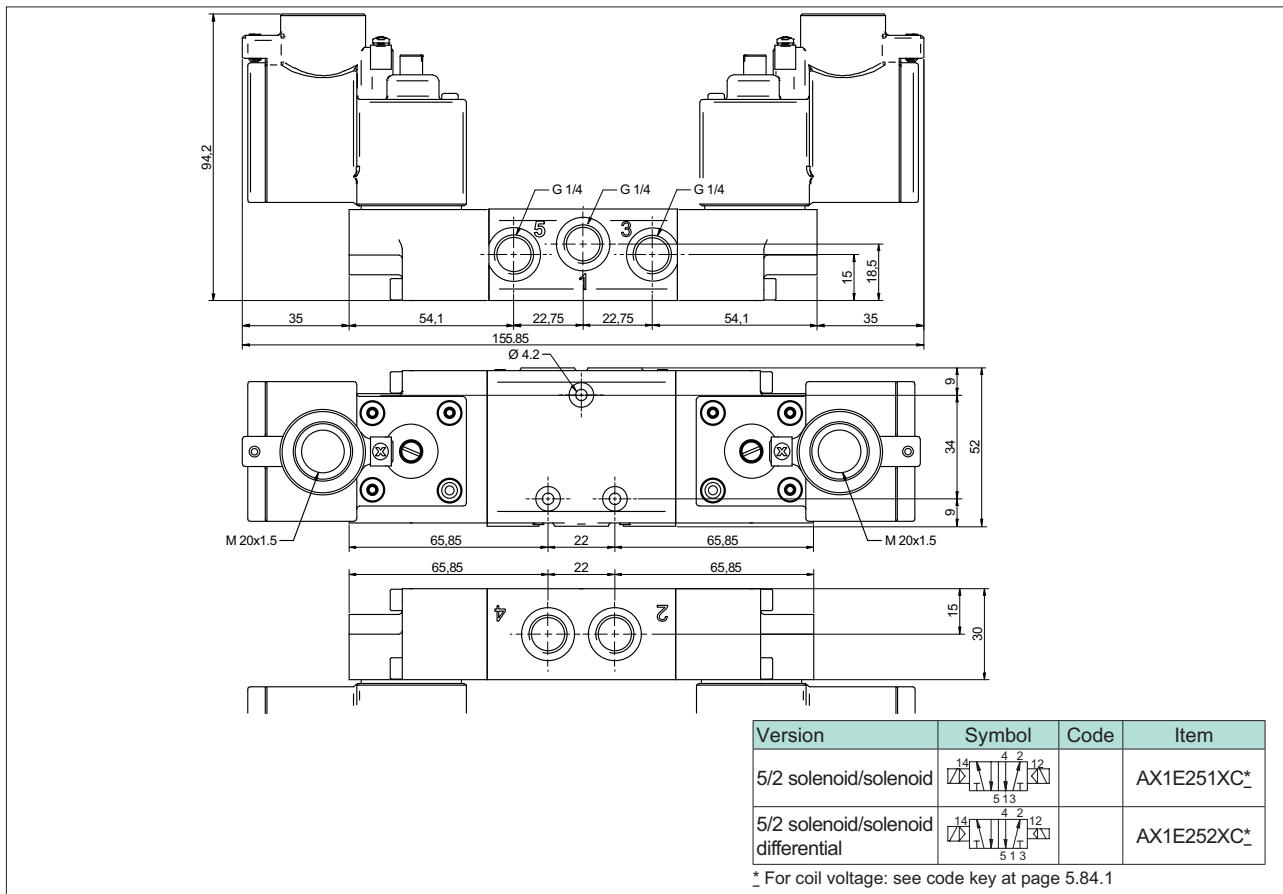
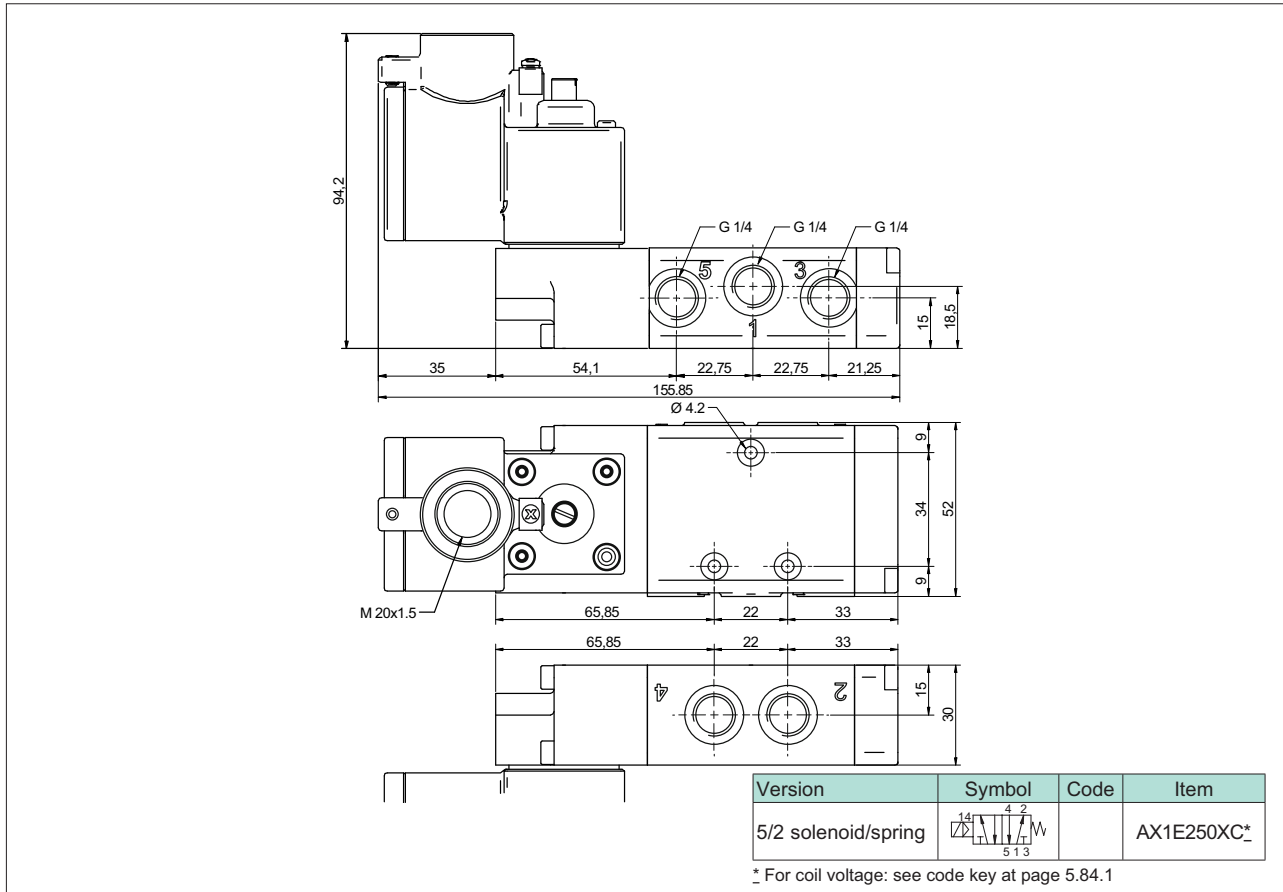
Version	Symbol	Code	Item
3/2 NC			AX1E230XC*
3/2 NO			AX1E231XC*
3/2 NC external air pilot			AX1K230XC*

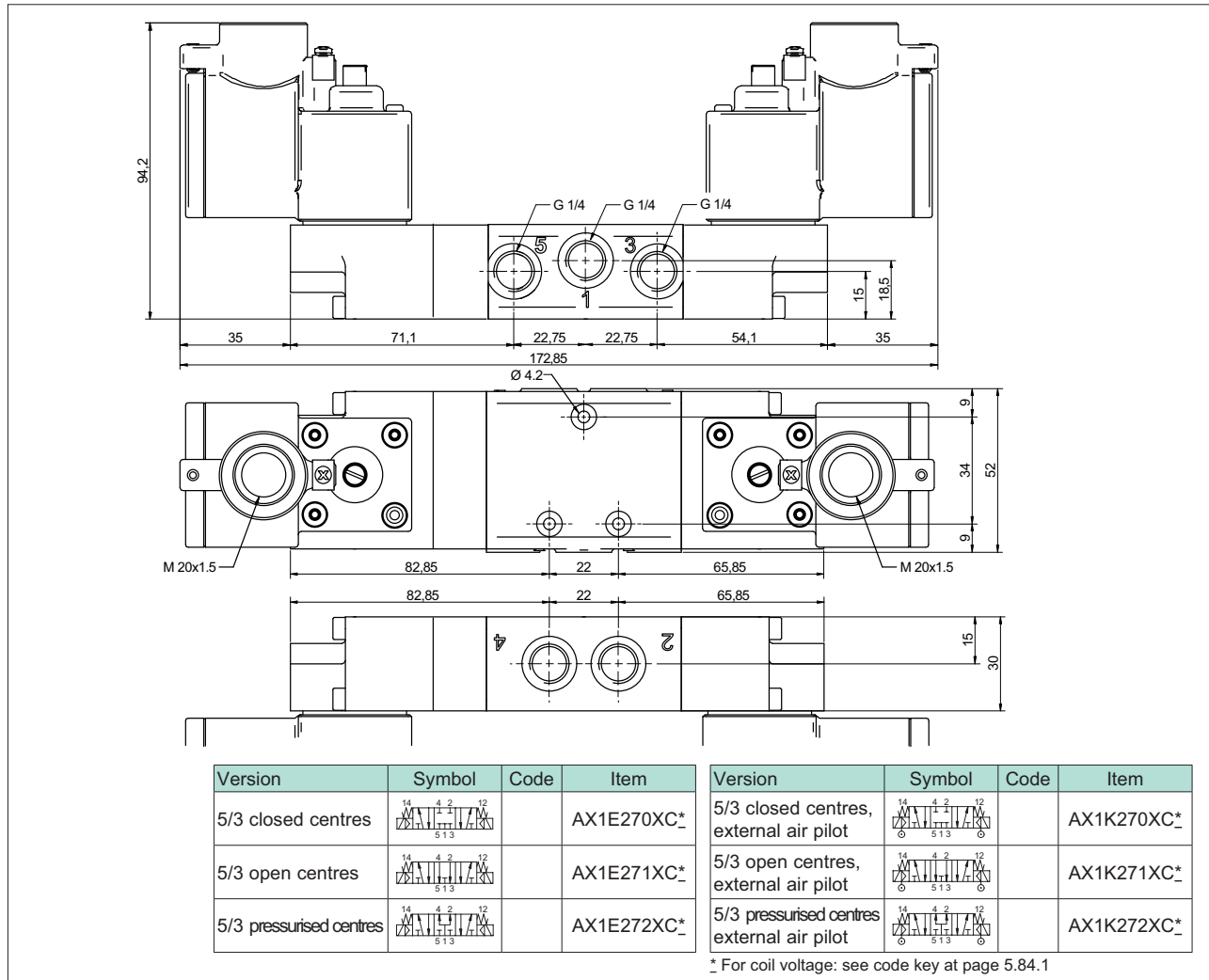
* For coil voltage: see code key at page 5.84.1

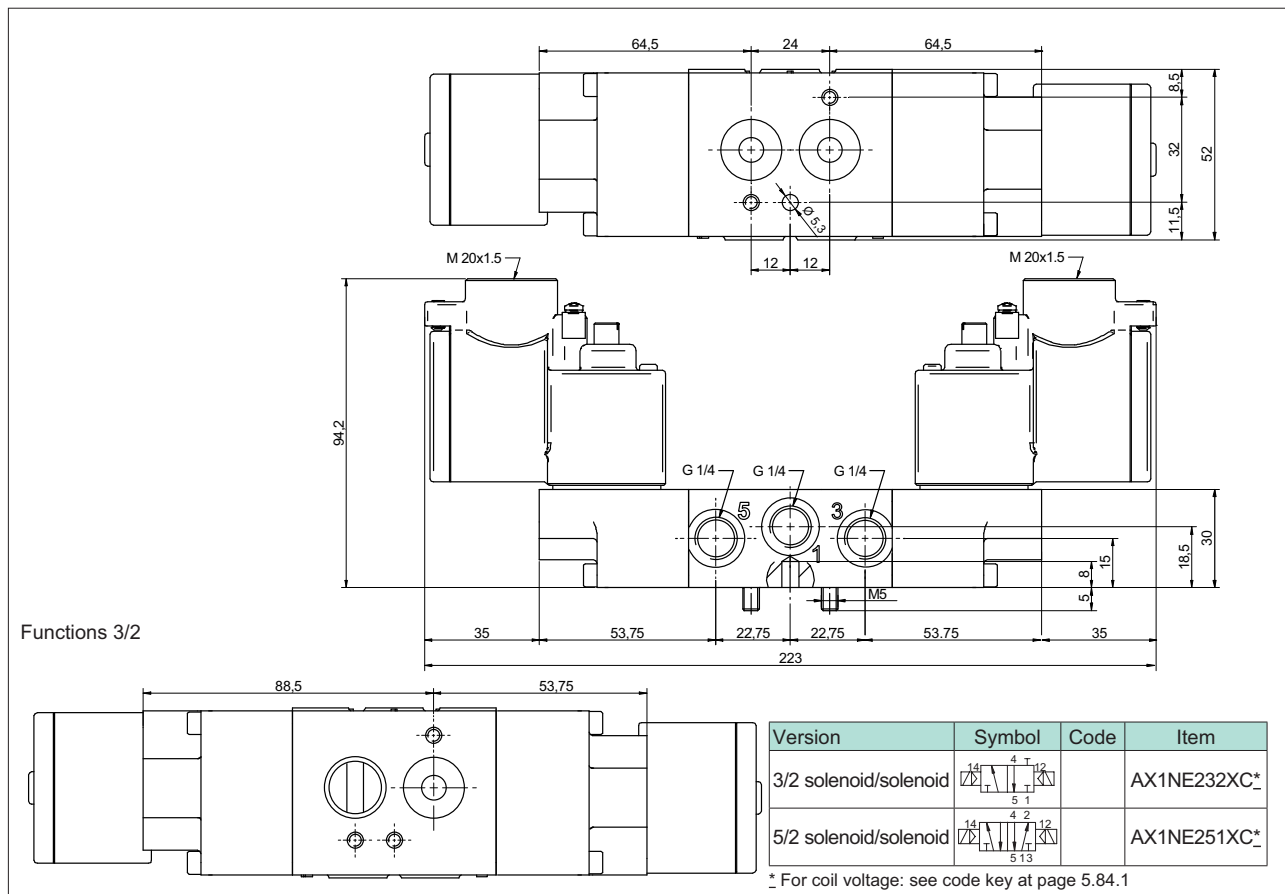
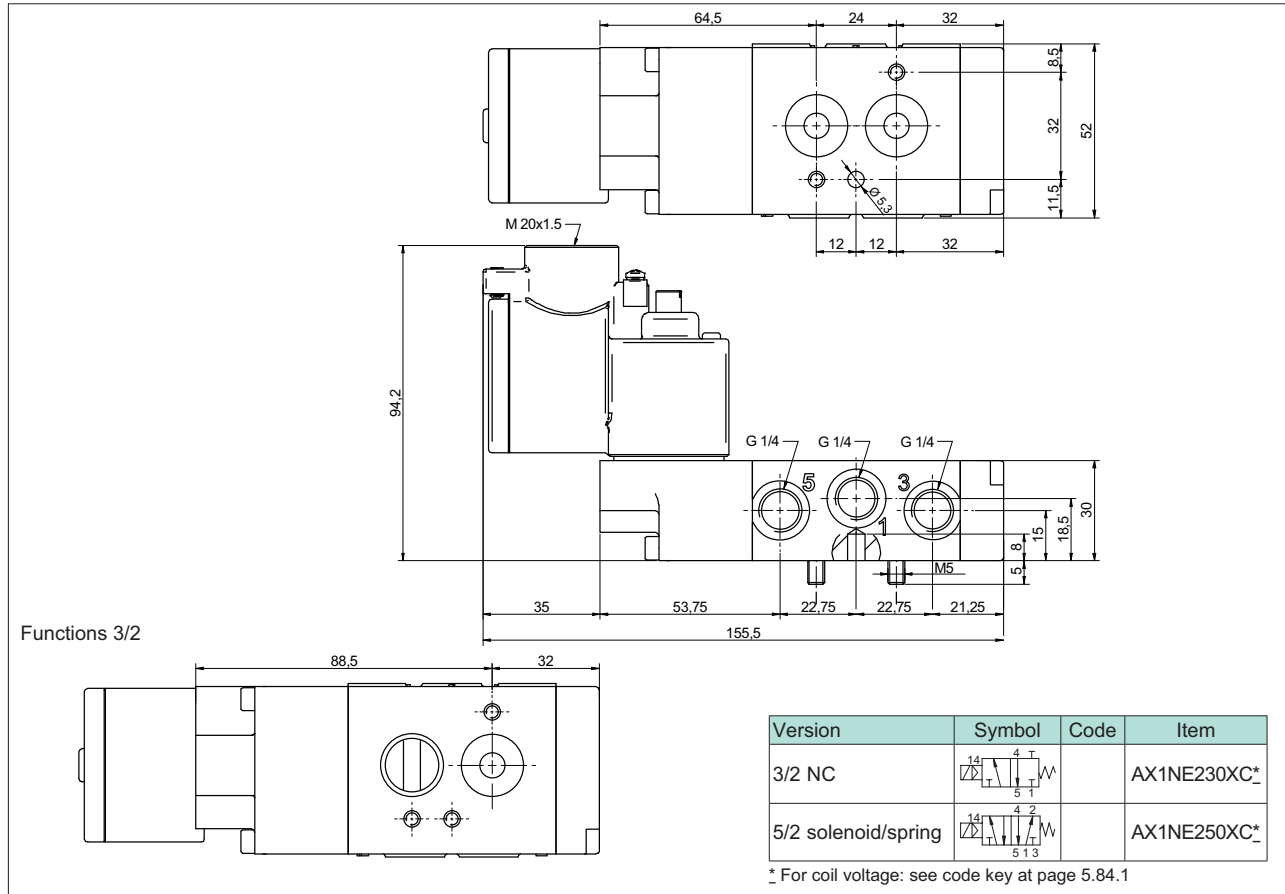


Version	Symbol	Code	Item
3/2 solenoid/solenoid			AX1E232XC*
3/2 solenoid/solenoid external air pilot			AX1K232XC*

* For coil voltage: see code key at page 5.84.1







Standard executions		
Version	Symbol	Code
3/2 NC		For code key see the table below
3/2 NO		
3/2 solenoid/solenoid		
5/2 solenoid/spring		
5/2 solenoid/solenoid		
5/2 solenoid/solenoid differential		
5/3 closed centres		
5/3 open centres		
5/3 pressurised centres		

New



New series of "AX" valves with functions 3/2 - 5/2 - 5/3 connection in line on the body or NAMUR. Electric and electric servo pilot.

They are manufactured in AISI 316L stainless steel, especially suitable in the food, chemical, pharmaceutical, Oil & Gas and mining industry.

AX valves are manufactured according to 2014/34/EU Directive to be used in potentially explosive environment.

Solenoid operator with a special coil for pneumatic application in potentially explosive environment (group II).

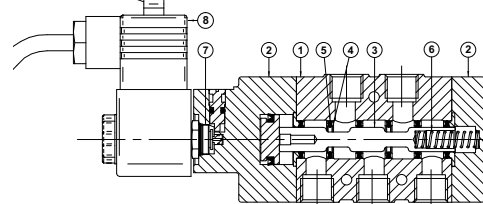
Solenoid system is conforming to 2014/34/EU Directive, certified:

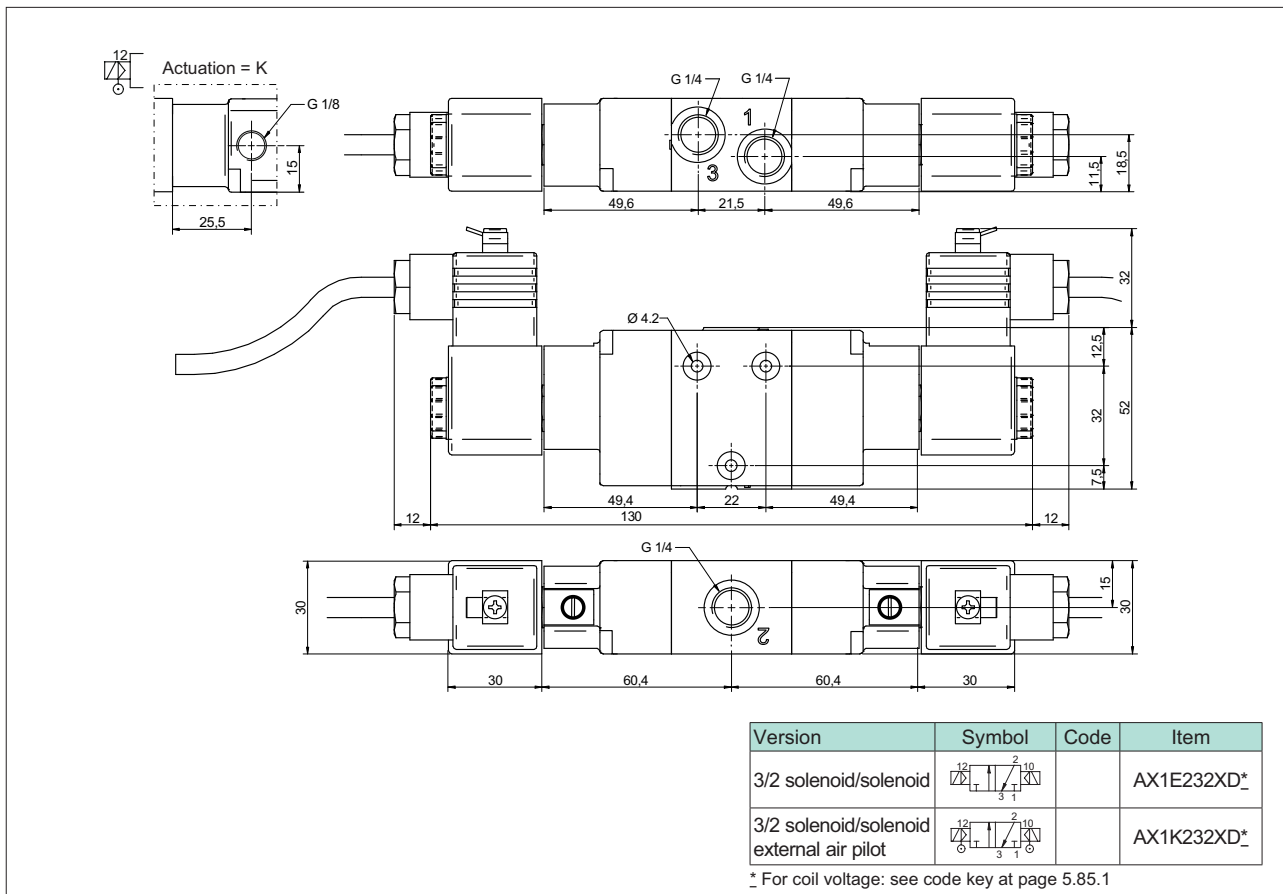
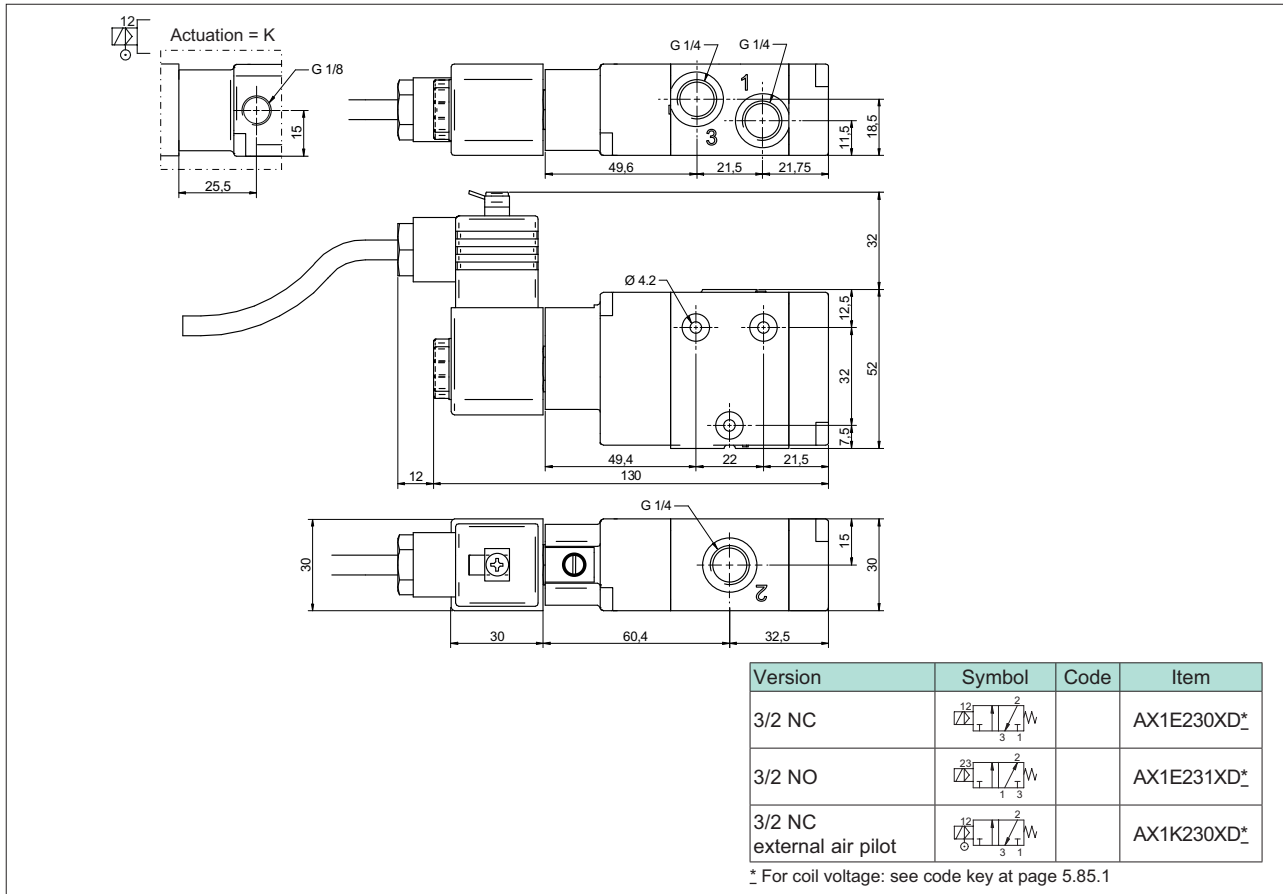


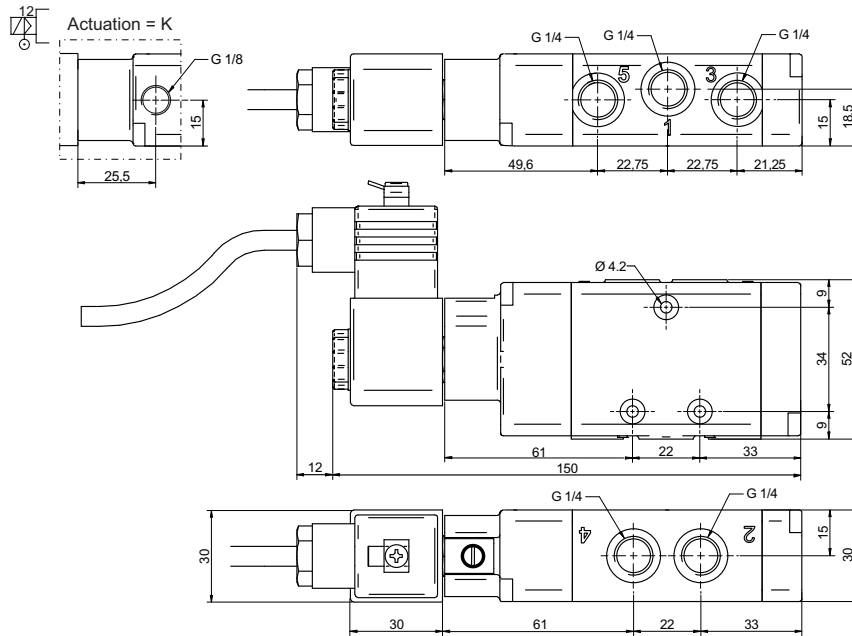
II 2G Ex mb IIC T5 Gb
II 2D Ex tb IIIC T95°C IP66 Db

Code key						
Series	Actuation	Size	Function	Hazardous areas	Voltages	
AX1 = Standard AXX1 = Completely in stainless steel AX1N = NAMUR AXX1N = NAMUR Completely in stainless steel	E = electrical Ø9 K = electrical Ø9 external air pilot	2 = 1/4 Gas 2N = 1/4 NPT	30 = 3/2 NC 31 = 3/2 NO 32 = 3/2 solenoid/solenoid 50 = 5/2 solenoid/spring 51 = 5/2 solenoid/solenoid 52 = 5/2 solenoid/solenoid differential 70 = 5/3 CC 71 = 5/3 OC 72 = 5/3 PC	XD = II 2G Ex mb IIC T5 Gb II 2D Ex tb IIIC T95°C IP66 Db	A = 6 VDC B = 12 VDC C = 24 VDC * D = 48 VDC	E = 12 VAC F = 24 VAC * G = 48 VAC * H = 100 VAC I = 110 VAC * L = 115 VAC M = 120 VAC O = 220 VAC * P = 230 VAC Q = 240 VAC
* = Standard voltages						

Technical data															
Fluid	Compressed filtered air with or without lubrication. Lubrication, if started, must be continued.														
Threaded connection	1/4 Gas - 1/4 NPT														
Pressure range	Spring return: 1.5 ÷ 10 bar			Bistable: 1 ÷ 10 bar				3 position: 2.5 ÷ 10 bar							
Minimum external air pressure	1.5 bar														
Temperature range	-25°C + +50°C														
Ø Orifice	8 mm														
Flow	1.100 NI/min at 6 bar with ΔP 1 bar														
Mounting	In any position (vertical assembly is not recommended for bistable valves subjected to vibration)														
Manual override	Bistable														
Electrical characteristic	Nominal voltage	6VDC	12VDC	24VDC	48VDC	12VAC	24VAC	48VAC	100VAC	110VAC	115VAC	120VAC	220VAC	230VAC	240VAC
	Frequency	-	-	-	-	50/60 Hz	50/60 Hz	50/60 Hz	50/60 Hz	50/60 Hz	50/60 Hz	50/60 Hz	50/60 Hz	50/60 Hz	50/60 Hz
	Nominal current	0.510 A	0.250 A	0.125 A	0.063 A	0.270 A	0.133 A	0.067 A	0.032 A	0.029 A	0.028 A	0.027 A	0.014 A	0.014 A	0.013 A
	Nominal power	3W	3W	3W	3W	3.2VA	3.2VA	3.2VA	3.2VA	3.2VA	3.2VA	3.2VA	3.2VA	3.2VA	3.2VA
	Duty cycle	100% ED													
Temp. class	T5														
Response time (at 6 bar)	Energising: - ms				Energising: - ms				Energising: - ms						
	De-energising: - ms				De-energising: - ms				De-energising: - ms						
Materials	(1) Body:	Stainless steel AISI 316L													
	(2) Cover:	Stainless steel AISI 316L													
	(3) Spool:	Hard aluminium anodized (AX series) Stainless steel AISI 316 (AXX series) Fortron 1140L4 (AX series)													
	(4) Distancers:	Stainless steel AISI 316 (AXX series)													
	(5) Seals:	Hydrogenate Nitrile Butadine Rubber (HNBR)													
	(6) Spring:	Stainless steel													
	(7) Operator:	Stainless steel													
	(8) Coil:	Thermoset resin													

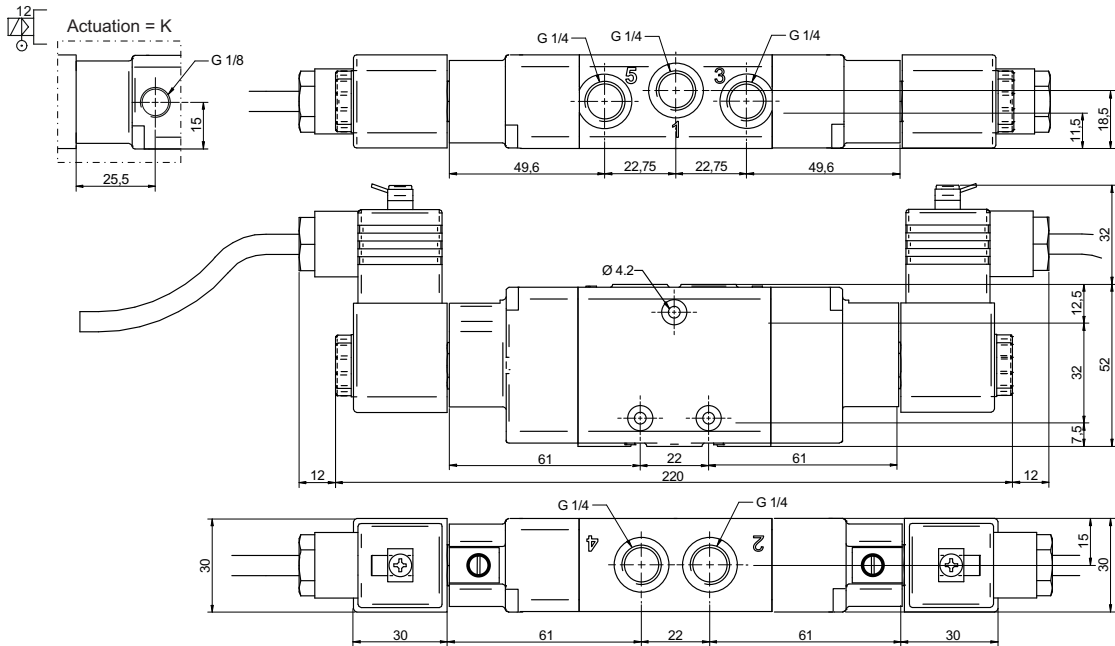






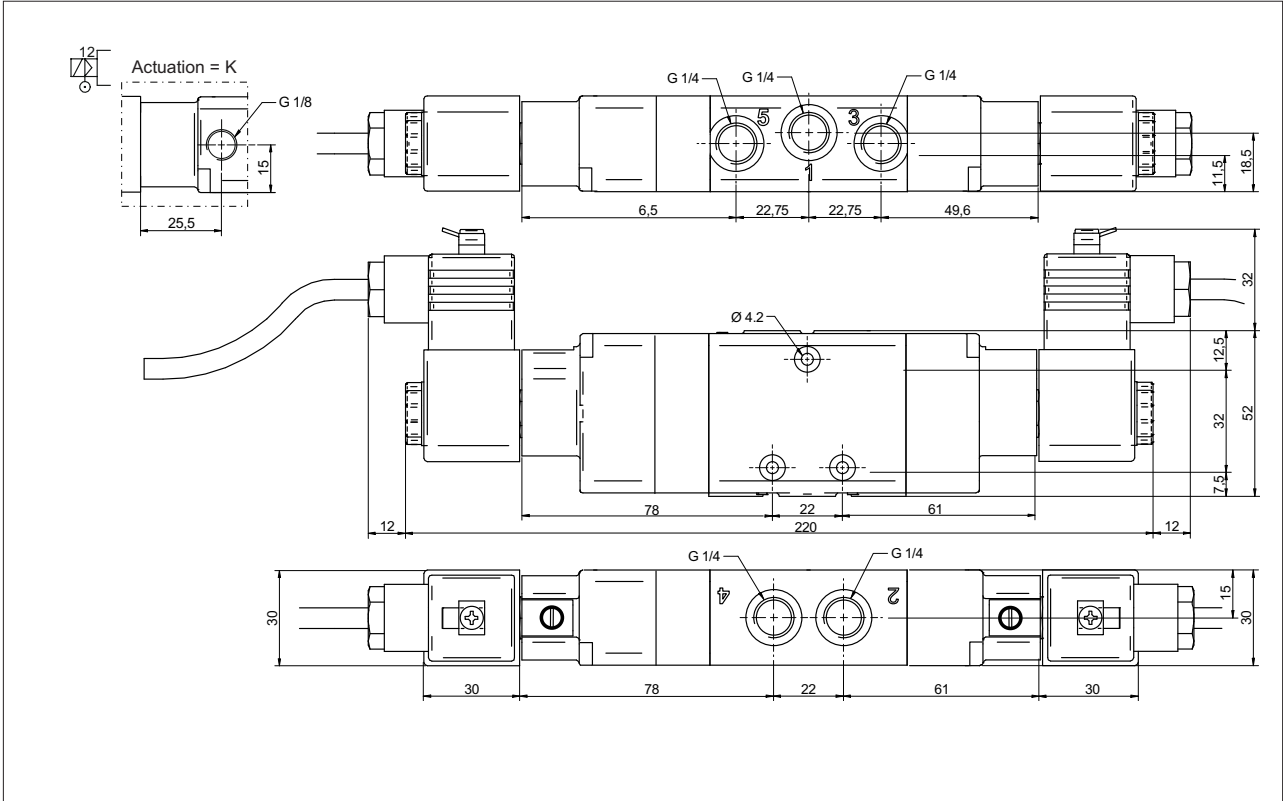
Version	Symbol	Code	Item
5/2 solenoid/spring			AX1E250XD*

* For coil voltage: see code key at page 5.85.1



Version	Symbol	Code	Item
5/2 solenoid/solenoid			AX1E251XD*
5/2 solenoid/solenoid differential			AX1E252XD*

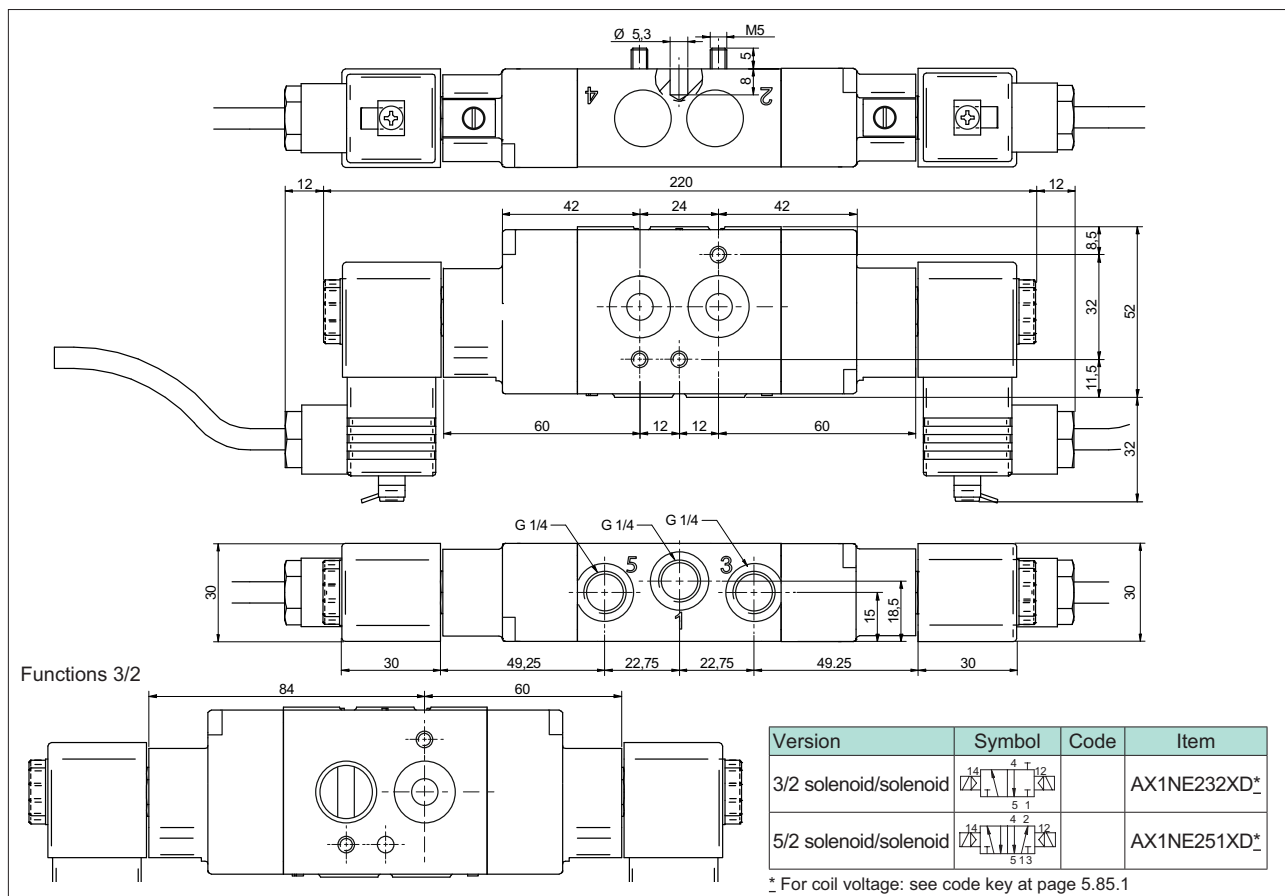
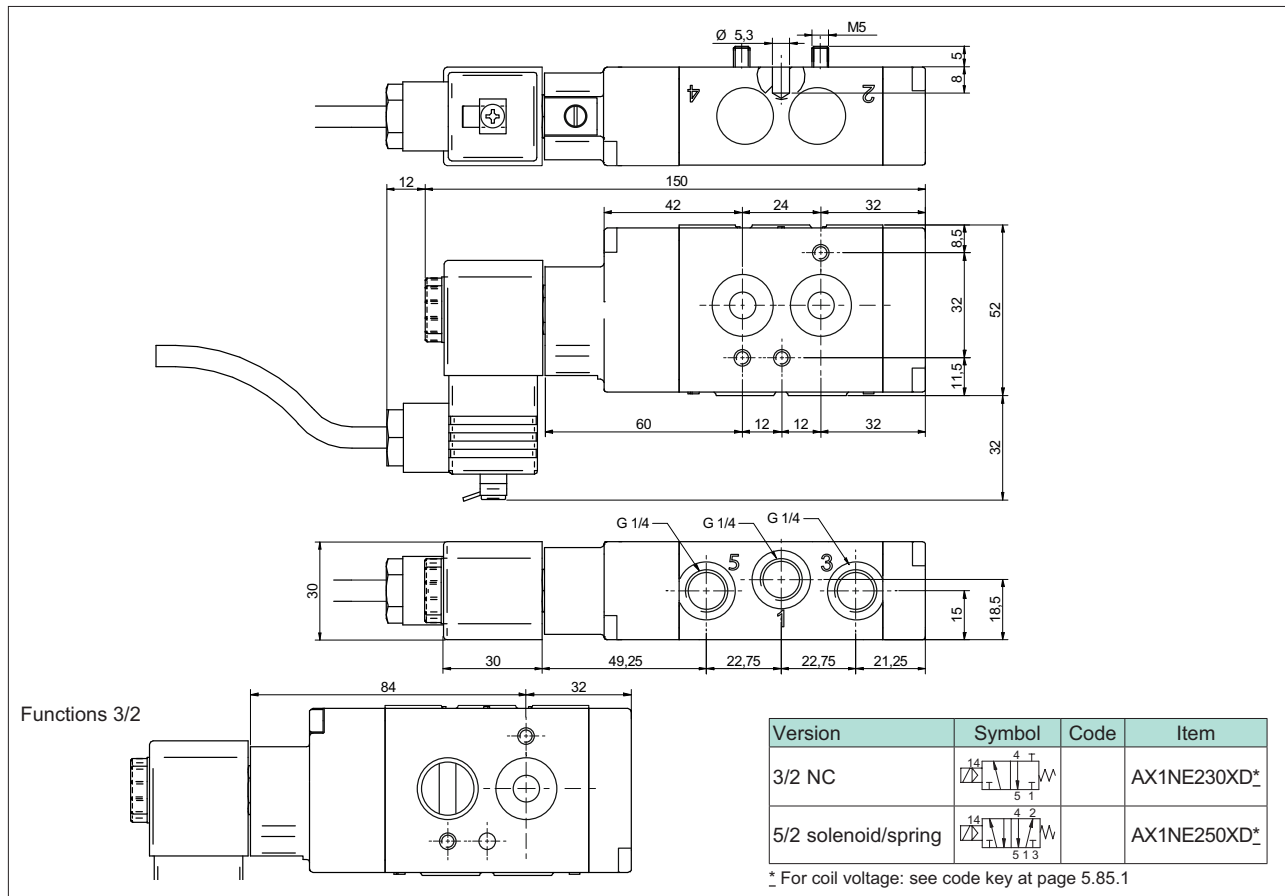
* For coil voltage: see code key at page 5.85.1



Version	Symbol	Code	Item
5/3 closed centres			AX1E270XD*
5/3 open centres			AX1E271XD*
5/3 pressurised centres			AX1E272XD*

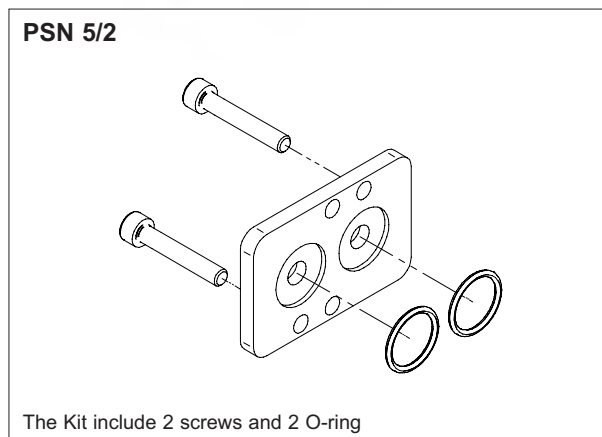
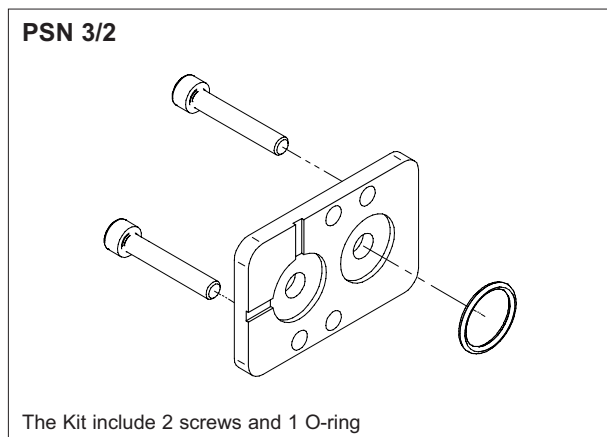
Version	Symbol	Code	Item
5/3 closed centres, external air pilot			AX1K270XD*
5/3 open centres, external air pilot			AX1K271XD*
5/3 pressurised centres external air pilot			AX1K272XD*

* For coil voltage: see code key at page 5.85.1



Standard executions		
Version	Code	Item
For valves NAMUR 3/2	034203	PSN 3/2
For valves NAMUR 5/2	034166	PSN 5/2

Plates to be mounted between NAMUR valve body and actuator in presence of coils thicker of the valve body.



Technical data		
Materials	Plate:	Anodised aluminium
	Screws:	Stainless steel
	Seals:	Hydrogenated Nitrile Butadiene Rubber (HNBR)

Type ASA12

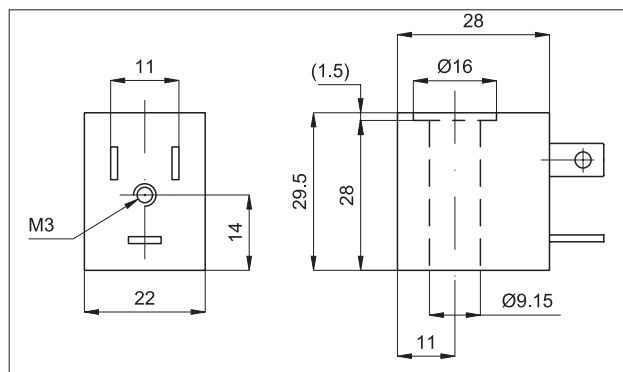
Series of coils with low electrical consumption conforming to EN 60204.1 and VDE 0580 standards, class F.

They can be mounted on the following valves: APA..., AE14..., AEF..., AEC...

For the connectors type A122.. see page 2.210.20.



Voltage		Code	Item
12V	DC	032100	ASA1201200
12V	AC	032101	ASA1201250
24V	DC	032102	ASA1202400
24V	AC	032103	ASA1202450
48V	AC	032104	ASA1204850
110V	AC	032105	ASA1211050
230V	AC	032106	ASA1222050



Technical data	Direct current	Alternating current
Voltage tolerance	± 10%	± 10%
Frequency tolerance	-	± 5%
Electrical consumption	3 W	4,2 VA
Voltage	12 and 24 V	12, 24, 48, 110, 230 V 50/60HZ
Duty cycle	100% ED	
Class protection	IP 65 (with connector already mounted)	
Temperature range	-20 °C ÷ + 50 °C	
Response time	10 ms	

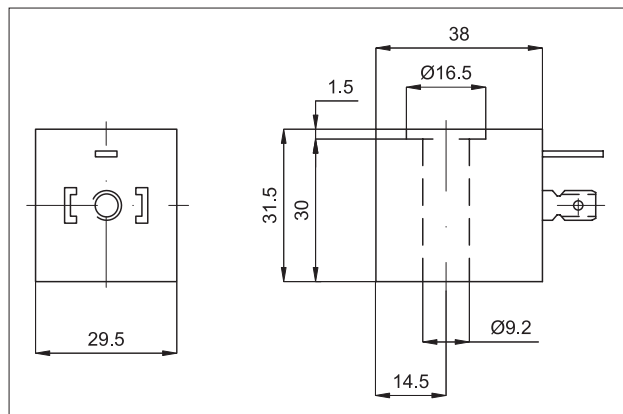
Type ASA2

Series of low consumption coils according EN 60204.1 and VDE 0580 standards, class F.

They can be used on the following valves: AE22..., AEA1..., AEA2...

For connectors type A182... see page 2.210.30.

Voltage	Code	Item
12V DC	032109	ASA201200
12V AC	032110	ASA201250
24V DC	032111	ASA202400
24V AC	032112	ASA202450
48V AC	032113	ASA204850
110V AC	032114	ASA211050
230V AC	032115	ASA222050



Technical data	Direct current	Alternating current
Voltage tolerance	± 10%	- 10% ÷ +15%
Frequency tolerance	-	± 5%
Electrical consumption	2,5 W	5 VA
Voltage	12 and 24 V	12, 24, 48, 110, 230 V 50/60HZ
Duty cycle	100% ED	
Class protection	IP 65 (with connector already mounted)	
Temperature range	-20 °C ÷ + 50 °C	
Response time	10 ms	

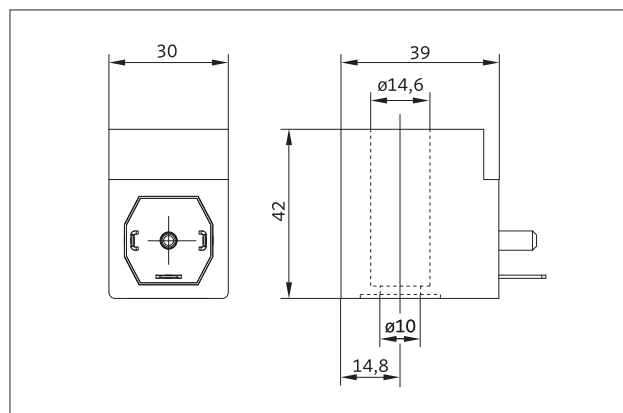
Type ASA34

Series of coils with low electrical consumption conforming to EN 175301-803-A, form A, insulation class F.

They can be mounted on the following valves: AX1, actuation: EG - KG.

For the connectors type A182... see page 2.210.30.

Voltage	Code	Item
24V DC	034341	ASA3402400
24V AC	034340	ASA3402450
110V AC	034342	ASA3411050
240V AC	034343	ASA3424050



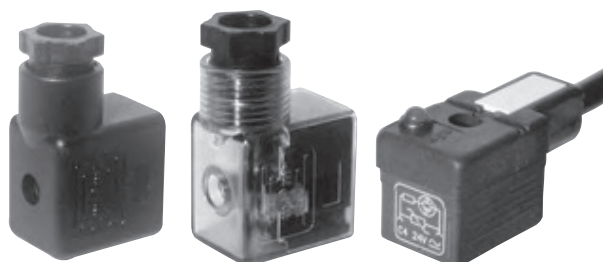
Technical data				
Voltage	24V DC	24V AC	110V AC	240V AC
Frequency	-	50Hz	50Hz	50Hz
Electrical consumption	15,0W	19,3VA	17,6VA	17,6VA
Duty cycle	100% ED			
Class protection	IP 65 (according to EN60529)			
Temperature range	-20 °C ÷ + 50 °C*			
Insulation class	F (according to DIN VDE 60524)			
Protective class	I			

*When using 24V AC the maximum ambient temperature must not exceed +40°C

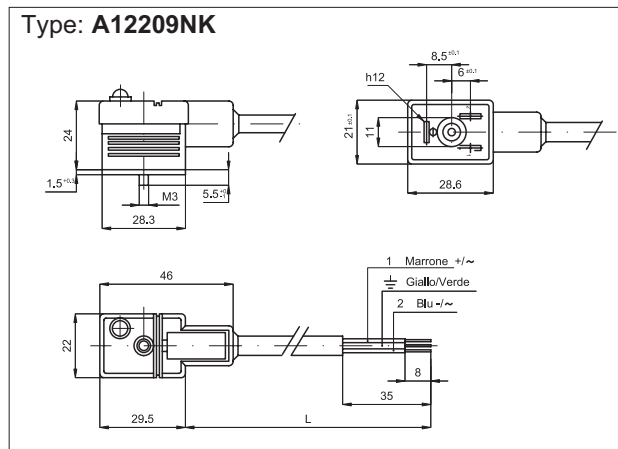
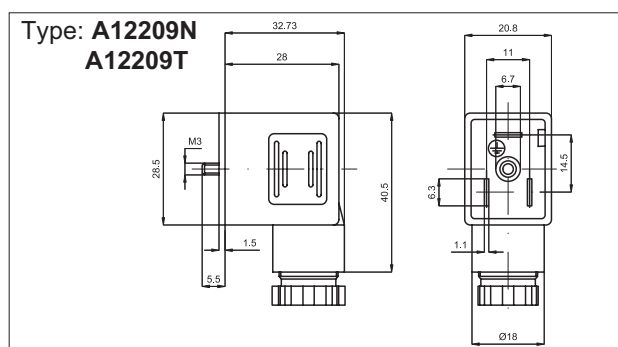
Standard executions		
Version	Code	Item
Standard, black	032118	A12209N
Standard, black, cabled	033521	A12209NK
With LED+VDR, transparent 24 V, AC-DC	032204	A12209T1
With LED+VDR, transparent 115 V, AC-DC	032205	A12209T2
With LED+VDR, transparent 230 V, AC-DC	032206	A12209T3
With LED+VDR, black, 2 mt cabled, 24 V, AC-DC	033522	A12209N1K
With LED+VDR, black, 2 mt cabled, 115 V, AC-DC	033523	A12209N2K
With LED+VDR, black, 2 mt cabled, 230 V, AC-DC	033524	A12209N3K

For **ATEX** connectors see page 2.210.50

Data of the standard cable	
Lenght	2 mt.
Material	Self-extinguishing polypropylene
Colour	Grey
Wires colour	Conforming to ENEL 0722 standards
External diameter	7,3 mm.
Insulation	300 V
Temperature range	- 5 °C ÷ + 70 °C
Standard	CEI 2022 II OR
Wire section	3x1 mm ²

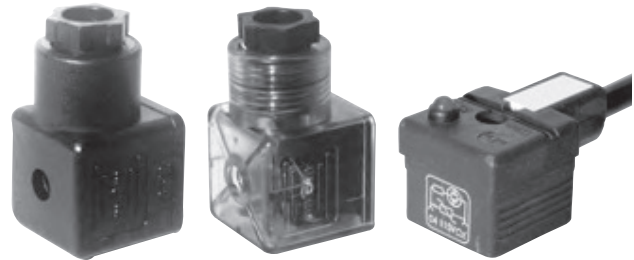


Series of connectors conforming to DIN 43650 standards for coils type ASA12.
In the standard version they are provided with fixing screw and NBR profiled seal.
Yellow LED as standard.



Technical data	Standard	Transparent with circuit	Moulding
Contact distance	11 mm	11 mm	11 mm
Nominal voltage	AC max 250 V; DC max 300 V	250 V	250 V
Nominal current	10 A	10 A	-
Maximum current on contacts	16 A	16 A	-
Maximum current	-	-	5 A
Contact resistance	≤ 4 m Ohm	≤ 4 m Ohm	≤ 4 m Ohm
Maximum conductor section	1,5 mm ²	1,5 mm ²	-
Gland size option	Pg 09	Pg 09	-
Protection class	IP 65 EN 60529	IP 65 EN 60529	IP 65 EN 60529
Insulation class	VDE 0110 - 1/89	VDE 0110 - 1/89	VDE 0110 - 1/89
Temperature range	- 40°C ÷ + 90 °C	- 40°C ÷ + 90 °C	- 40°C ÷ + 90 °C
Earth contact (number)	1	1	2, connected (pos. 6/12)
Poles	2	2	2

Standard executions		
Version	Code	Item
Standard, black	032119	A18209N
Standard, black, cabled	033531	A18209NK
With LED+VDR, transparent 24 V, AC-DC	032207	A18209T1
With LED+VDR, transparent 115 V, AC-DC	032208	A18209T2
With LED+VDR, transparent 230 V, AC-DC	032209	A18209T3
With LED+VDR, black cabled 24 V, AC-DC	033532	A18209N1K
With LED+VDR, black cabled 115 V, AC-DC	033533	A18209N2K
With LED+VDR, black cabled 230 V, AC-DC	033534	A18209N3K

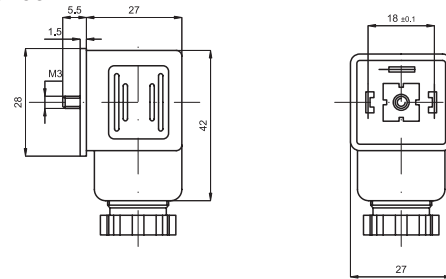


Series of connectors conforming to DIN 43650 - A/ISO 4400 standards for coils type ASA2.

In the standard version they are provided with fixing screw and NBR profiled seal.

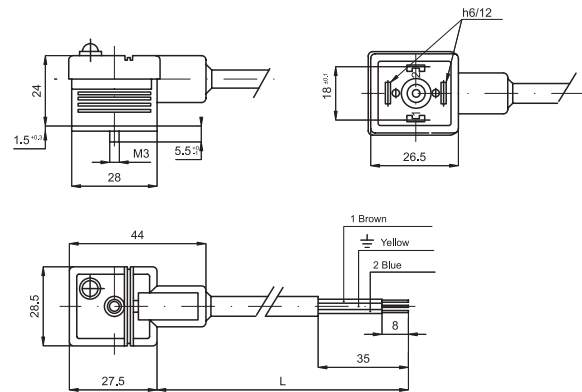
In the provided versions the colour of the LED is yellow.

Type: **A18209N**
A18209T



Data of the standard cable	
Lenght	2 mt.
Material	Self-extinguishing polypropylene
Colour	Grey
Wires colour	Conforming to ENEL 0722 standards
External diameter	7,3 mm.
Insulation	300 V
Temperature range	- 5 °C ÷ + 70 °C
Standard	CEI 2022 II OR
Wire section	3x1 mm ²

Type: **A18209NK**



Technical data	Standard	Transparent with circuito	Moulding
Contact distance	18 mm	18 mm	18 mm
Nominal voltage	AC max 250 V; DC max 300 V	250 V	250 V
Nominal current	10 A	10 A	-
Maximum current on contacts	16 A	16 A	-
Maximum current	-	-	5 A
Contact resistance	≤ 4 m Ohm	≤ 4 m Ohm	≤ 4 m Ohm
Maximum conductor section	1,5 mm ²	1,5 mm ²	-
Gland size option	Pg 09	Pg 09	-
Protection class	IP 65 EN 60529	IP 65 EN 60529	IP 65 EN 60529
Insulation class	VDE 0110 - 1/89	VDE 0110 - 1/89	VDE 0110 - 1/89
Temperature range	- 40°C ÷ + 90 °C	- 40°C ÷ + 90 °C	- 40°C ÷ + 90 °C
Earth contact (number)	1	1	2 connected (6/12 pos.)
Poles	2	2	2

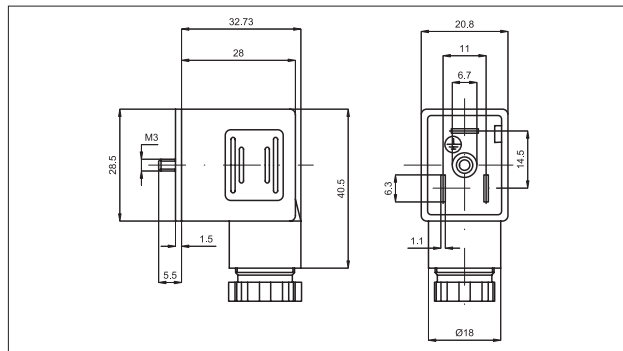
Type A12209N/ATEX

Connector ATEX version full fit the requirements of the ATEX directive 94/9/EC, class II, Category 3D.

The ATEX connectors feature a special central fixing screw, which can only be opened with a special tool and pictograms on the connectors for not unmatting the connector under voltage and the ATEX logo.

Outer dimension according to EN 175301-803 (formed DIN 43 650).

Standard executions		
Version	Code	Item
Standard, ATEX	032118X	A12209N/ATEX



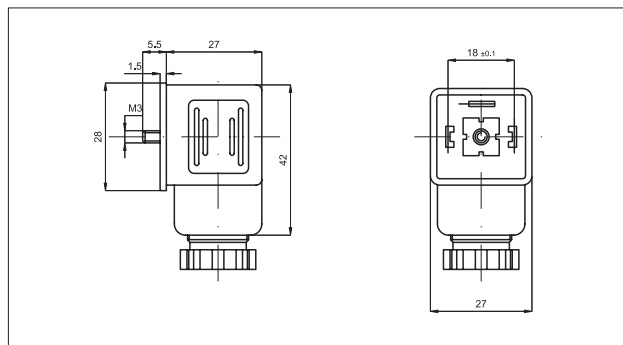
Type A18209N/ATEX

Connector ATEX version full fit the requirements of the ATEX directive 94/9/EC, class II, Category 3D.

The ATEX connectors feature a special central fixing screw, which can only be opened with a special tool and pictograms on the connectors for not unmatting the connector under voltage and the ATEX logo.

Outer dimension according to EN 175301-803 (formed DIN 43 650).

Standard executions		
Version	Code	Item
Standard, ATEX	032119X	A18209N/ATEX



Supplied according to 94/9/EC - ATEX



Technical data	
Contact distance	11 mm
Rated voltage	230 V
Rated impuls voltage	4000V
Rated current (40°C)	10 A
Contact resistance	≤ 15 mΩ
Insulation resistance	≥ 100 MΩ
Class protection	IP 65
Temperature range	-25 °C ÷ + 90 °C



Supplied according to 94/9/EC - ATEX



Tecnical data	
Contact distance	11 mm
Rated voltage	230 V
Rated impuls voltage	4000V
Rated current (40°C)	10 A
Contact resistance	≤ 15 mΩ
Insulation resistance	≥ 100 MΩ
Class protection	IP 65
Temperature range	-25 °C ÷ + 90 °C

Standard executions

Version	Symbol	Code	Item
Filter-regulator + lubricator		090604	A14FRRLX
Filter-regulator		090601	A14FRRX
Filter		090607	A14FX
Regulator		090610	A14RX
Lubricator		090613	A14LX

New
Stainless Steel



All the air preparation units are available to be certified according to 94/9/EC - ATEX

Options	Suffix
Filter 40 µm cartridge	40
NPT thread	NPT
Manual condense drain	H
Automatic condense drain	D
Seals for low temperature	BT

(*) NACE: National Association of Corrosion Engineers recognised oil-field recommendation for resistance to sulphide stress cracking common in well-head and other corrosive environments.

Series of modular units in stainless steel AISI 316 suitable for industrial application like: food, medical, chemical, Oil & Gas and mining.

Light weight and compact size for space saving, the air preparation units have the following standard features:

- For high pressure use, corrosion and hemical resistance;
- Good performance in chemical working environments and outdoor facility;
- Suitable for food, medical, chemical, off-shore and mining industry;
- Metallic parts meet NACE Standard MR-01-75(*);
- The product effectively removes water and particle;
- Accurate and sensitive pressure setting;
- Lubricator oil can be replenished without stopping air supply.

The modular units are supplied together with the bracket nuts and gauge always in stainless steel material.

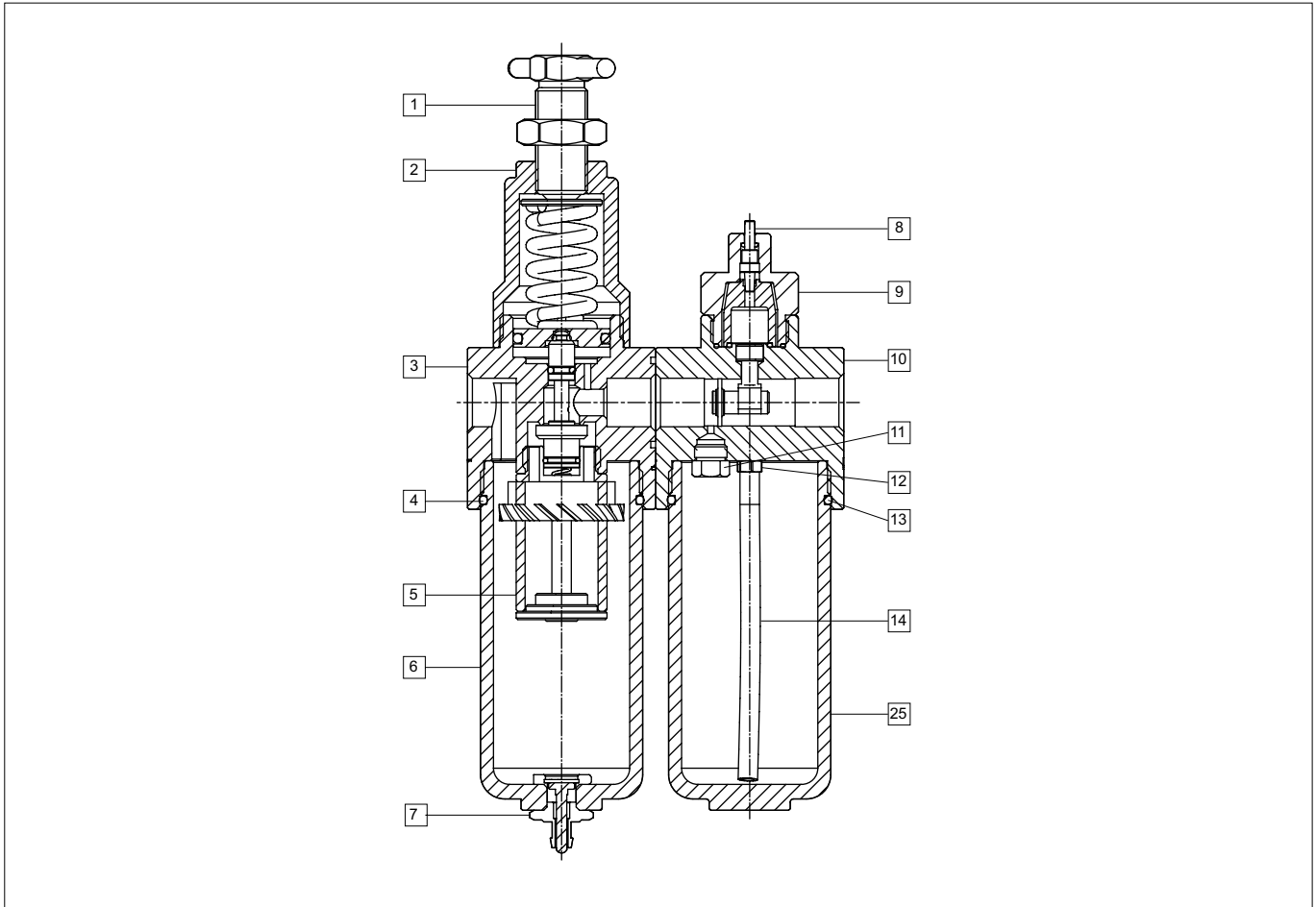
How to order: A14FRRX40NPT

A14FRRX	40	NPT
Version	Option	Option

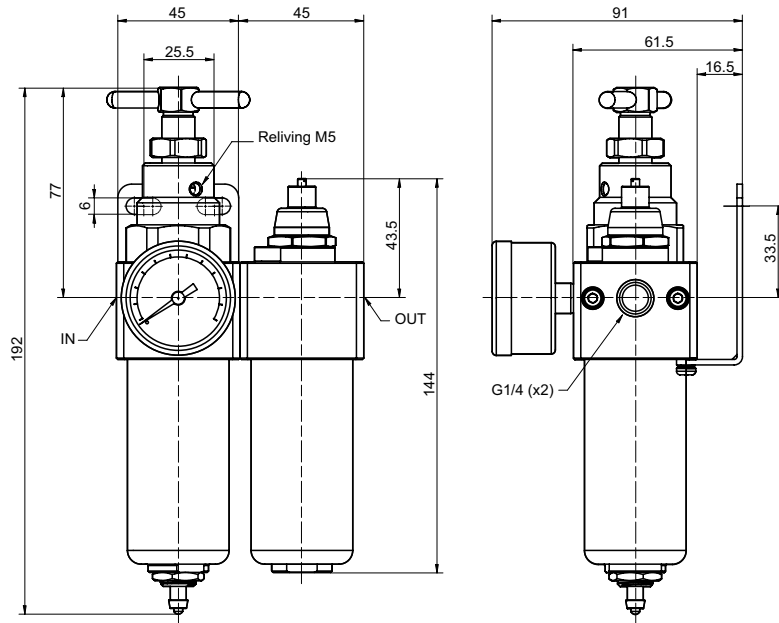
Technical data					
Item	A14FRRLX	A14FRRX	A14FX	A14RX	A14LX
Pressure	30 bar				
Regulation range	0,5 ÷ 20 bar				
Overpressure exhaust	Reliving M5	Reliving M5	-	Reliving M5	-
Pressure regulator	Piston	Piston	-	Piston	-
Max. flow rate (l/min)	1850 l/min	1850 l/min	1900 l/min	1850 l/min	2500 l/min
Temperature range	-20 ÷ +150 °C (standard) -40 ÷ +150°C (BT)				
Suggested oil	With ISO VG 32 viscosity according to normative ISO 3448				
Filtering element	5 µm (standard) 40 µm (on request)	-	5 µm (standard) 40 µm (on request)	-	-
Condense drain	Semi-automatic (standard) - manual/automatic (on request)			-	-
Cup capacity	Filter: 105 cm ³ Lubricator: 125 cm ³	105 cm ³	105 cm ³	-	125 cm ³
Weight	2660 g	1380 g	1260 g	1200 g	1200 g

Stainless steel airline equipment in AISI 316

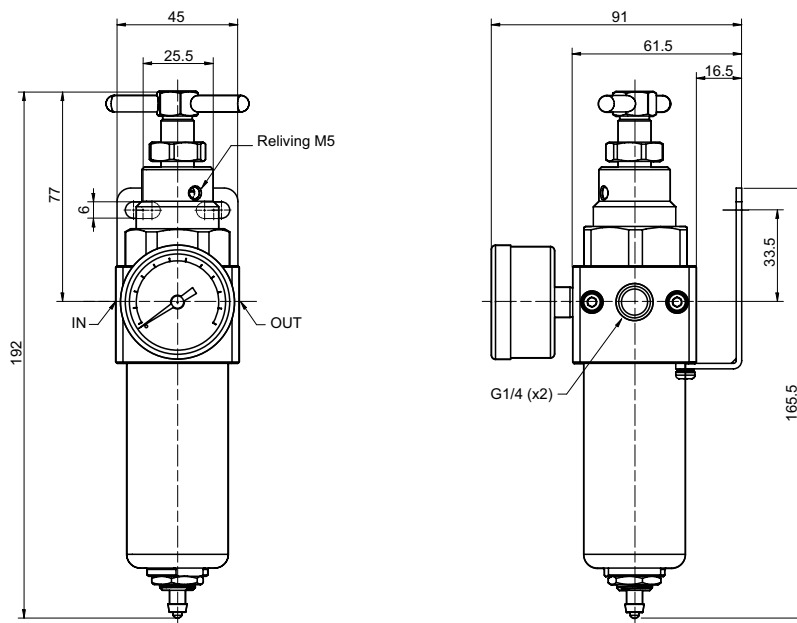
1/4" *Materials*



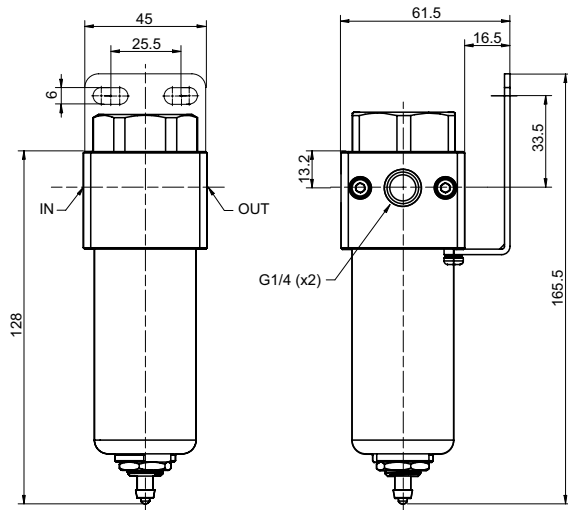
Materials			
1	Pressure regulator screw	Stainless steel AISI 316	
2	Pressure regulator cup	Stainless steel AISI 316	
3	Regulator body	Stainless steel AISI 316	
4	O-ring seal	FKM (standard) - EPDM (BT)	
5	Filtering element	Stainless steel AISI 316	
6	Filter cup	Stainless steel AISI 316	
7	Drain unit	Stainless steel AISI 316	
8	Oil regulation screw	Stainless steel AISI 316	
			9 Lubricator cover
			10 Lubricator body
			11 Cover
			12 Fitting
			13 O-ring seal
			14 Pipe
			15 Lubricator cup
			Stainless steel AISI 316
			PU
			FKM (standard) - EPDM (BT)
			Stainless steel AISI 316



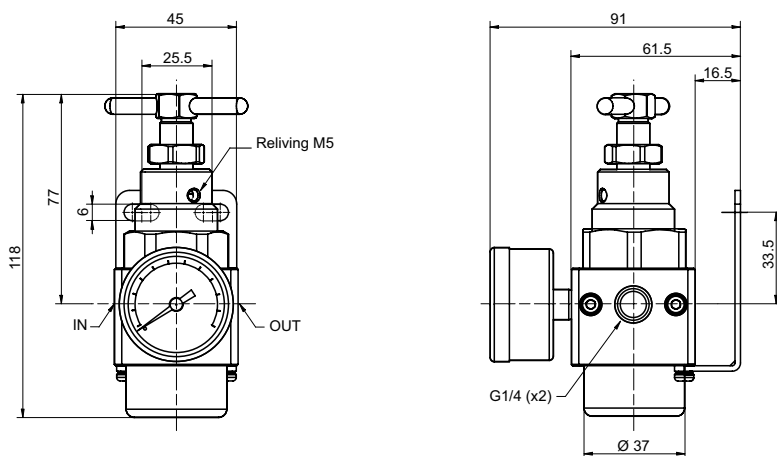
Version	Symbol	Code	Item
Filter-regulator + lubricator		090604	A14FRRLX



Version	Symbol	Code	Item
Filter-regulator		090601	A14FRRX



Version	Symbol	Code	Item
Filter		090607	A14FX

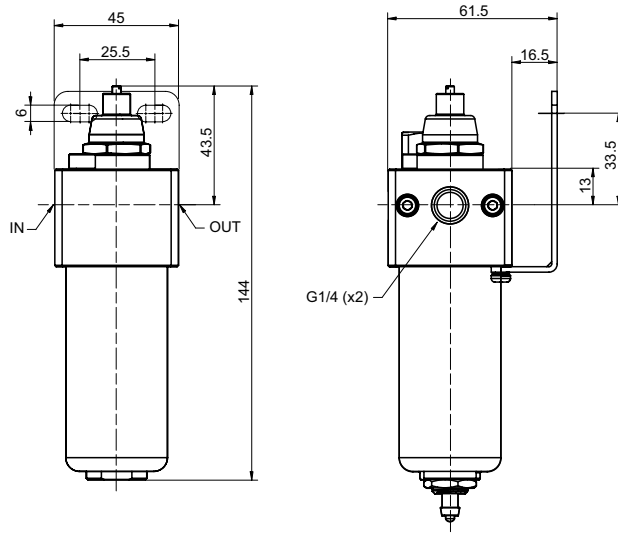


Version	Symbol	Code	Item
Regulator		090610	A14RX

Stainless steel airline equipment in AISI 316

1/4"

Dimensions



Version	Symbol	Code	Item
Lubricator		090613	A14LX

Standard executions

Version	Symbol	Code	Item
Filter-regulator + lubricator		090605	A12FRRLX
Filter-regulator		090602	A12FRRX
Filter		090608	A12FX
Regulator		090611	A12RX
Lubricator		090614	A12LX



All the air preparation units are available to be certified according to 94/9/EC - ATEX

Options	Suffix
High pressure (20 ÷ 30 bar)	HP
Filter 40 µm cartridge	40
NPT thread	NPT
Manual condense drain	H
Automatic condense drain	D
Seals for low temperature -40 ÷ +150°C	BT

(*) NACE: National Association of Corrosion Engineers recognised oil-field recommendation for resistance to sulphide stress cracking common in well-head and other corrosive environments.

New
Stainless Steel



Series of modular units in stainless steel AISI 316 suitable for industrial application like: food, medical, chemical, Oil & Gas and mining.

Light weight and compact size for space saving, the air preparation units have the following standard features :

- For high pressure use, corrosion and chemical resistance;
- Good performance in chemical working environments and outdoor facility;
- Suitable for food, medical, chemical, off-shore and mining industry;
- Metallic parts meet NACE Standard MR-01-75(*);
- The product effectively removes water and particle;
- Accurate and sensitive pressure setting;
- Lubricator oil can be replenished without stopping air supply.

The modular units are supplied together with the bracket nuts and gauge always in stainless steel material.

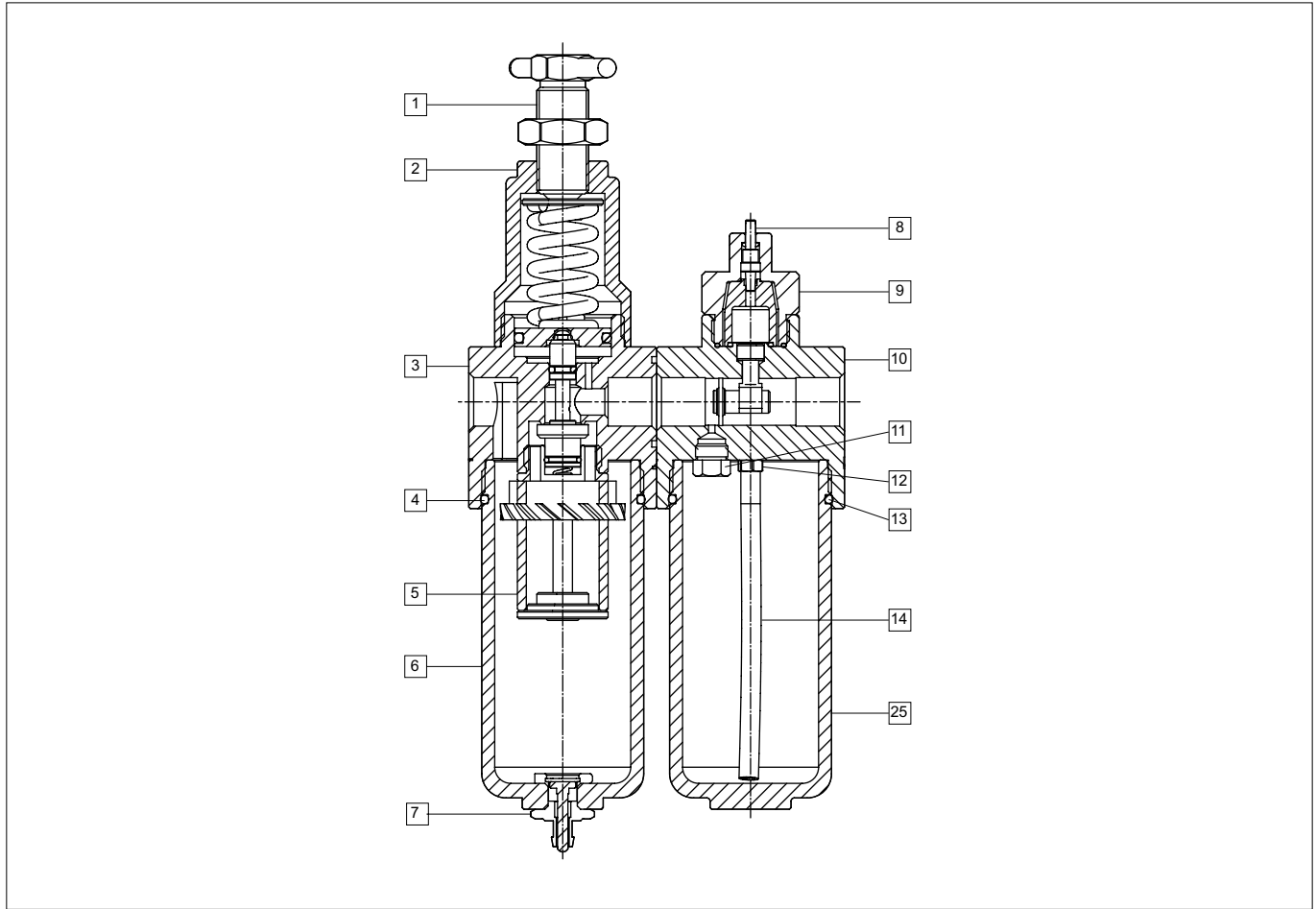
How to order: A12FRRX40NPT

A12FRRX	40	NPT
Version	Option	Option

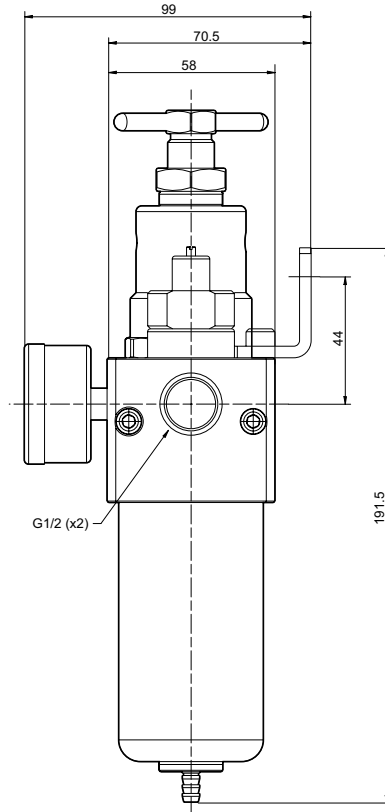
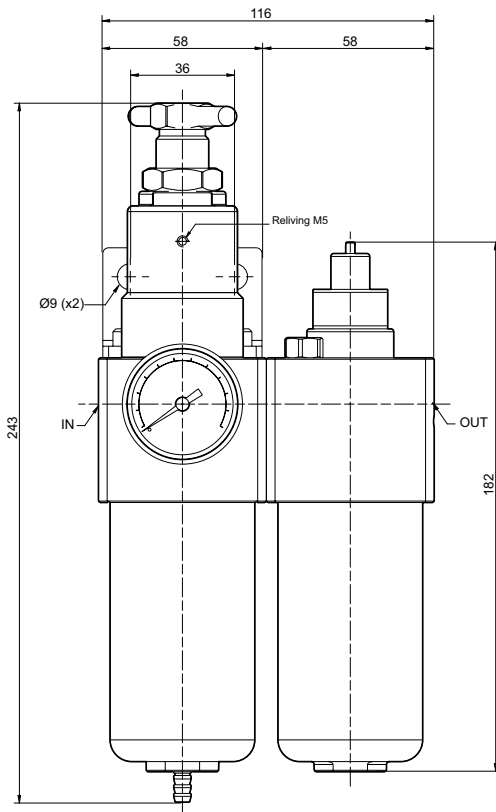
Technical data					
Item	A12FRRLX	A12FRRX	A12FX	A12RX	A12LX
Pressure	60 bar				
Regulation range	0,5 ÷ 12 bar (standard) - 20 ÷ 30 bar (standard)				
Overpressure exhaust	Reliving M5	Reliving M5	-	Reliving M5	-
Pressure regulator	Piston	Piston	-	Piston	-
Max. flow rate (l/min)	2500 l/min	3800 l/min	3030 l/min	2520 l/min	4100 l/min
Temperature range	-20 ÷ +150 °C (standard) -40 ÷ +150°C (BT)				
Suggested oil	With ISO VG 32 viscosity according to normative ISO 3448				
Filtering element	5 µm (standard) 40 µm (on request)	-	5 µm (standard) 40 µm (on request)	-	-
Condense drain	Semi-automatic (standard) - On request manual/automatic			-	-
Cup capacity	Filter: 110 cm ³ Lubricator: 130 cm ³	110 cm ³	110 cm ³	-	130 cm ³
Weight	3840 g	2000 g	1650 g	1400 g	1750 g

Stainless steel airline equipment in AISI 316

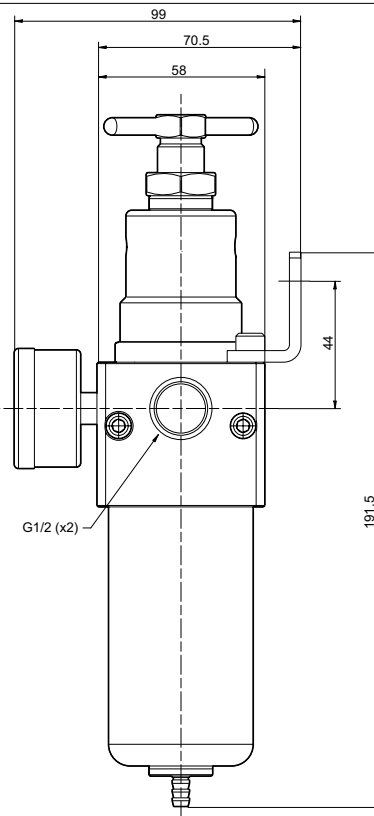
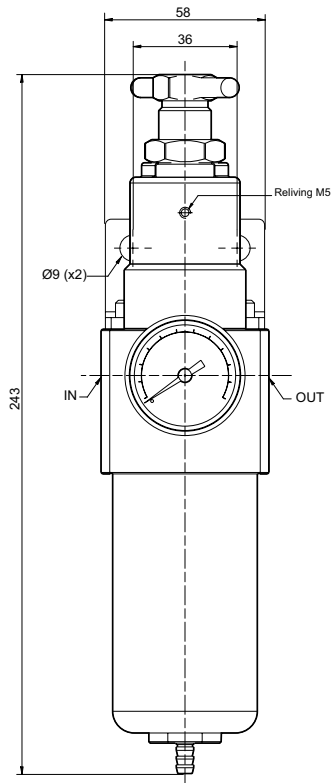
1/2" Materials



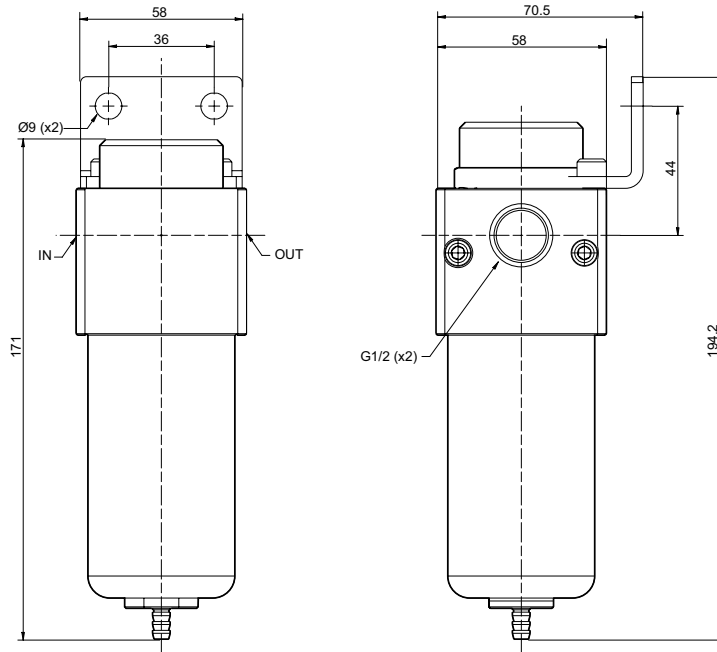
Materials					
1	Pressure regulator screw	Stainless steel AISI 316	9	Lubricator cover	Stainless steel AISI 316
2	Pressure regulator cup	Stainless steel AISI 316	10	Lubricator body	Stainless steel AISI 316
3	Regulator body	Stainless steel AISI 316	11	Cover	Stainless steel AISI 316
4	O-ring seal	FKM (standard) - EPDM (BT)	12	Fitting	Stainless steel AISI 316
5	Filtering element	Stainless steel AISI 316	13	O-ring seal	FKM (standard) - EPDM (BT)
6	Filter cup	Stainless steel AISI 316	14	Pipe	PU
7	Drain unit	Stainless steel AISI 316	15	Lubricator cup	Stainless steel AISI 316
8	Oil regulation screw	Stainless steel AISI 316			



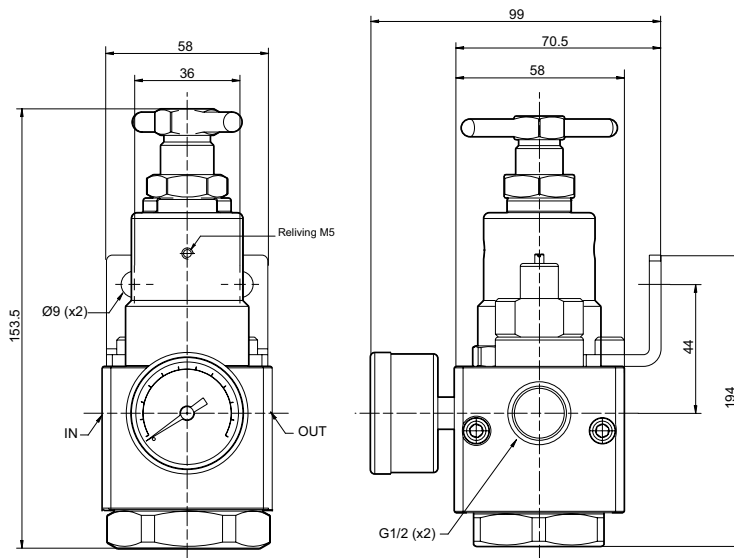
Version	Symbol	Code	Item
Filter-regulator + lubricator		090605	A12FRRLX



Version	Symbol	Code	Item
Filter-regulator		090602	A12FRRX

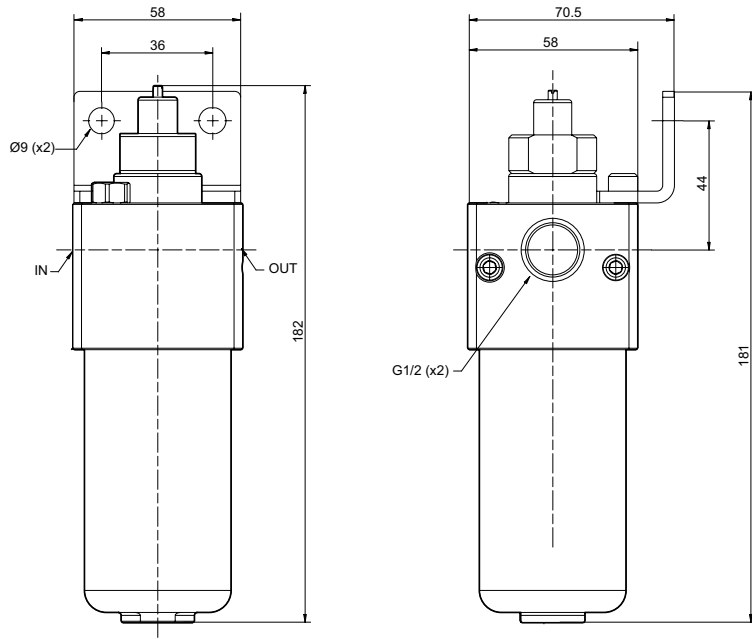


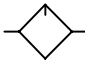
Version	Symbol	Code	Item
Filter		090608	A12FX



Version	Symbol	Code	Item
Regulator		090611	A12RX

Stainless steel airline equipment in AISI 316
1/2" *Dimensions*



Version	Symbol	Code	Item
Lubricator		090614	A12LX

Standard executions			
Version	Symbol	Code	Item
Filter-regulator + Lubricator		090606	A01FRRLX
Filter-regulator		090603	A01FRRX
Filter		090609	A01FX
Regulator		090612	A01RX
Lubricator		090615	A01LX

New
Stainless Steel



All the air preparation units are available to be certified according to 94/9/EC - ATEX

Options	Suffix
High pressure (20 ÷ 30 bar)	HP
Filter 40 µm cartridge	40
NPT thread	NPT
Manual condense drain	H
Automatic condense drain	D
Seals for low temperature -40 ÷ +150°C	BT

(*) NACE: National Association of Corrosion Engineers recognised oil-field recommendation for resistance to sulphide stress cracking common in well-head and other corrosive environments.

Series of modular units in stainless steel AISI 316 suitable for industrial application like: food, medical, chemical, Oil & Gas and mining.

Light weight and compact size for space saving, the air preparation units have the following standard features :

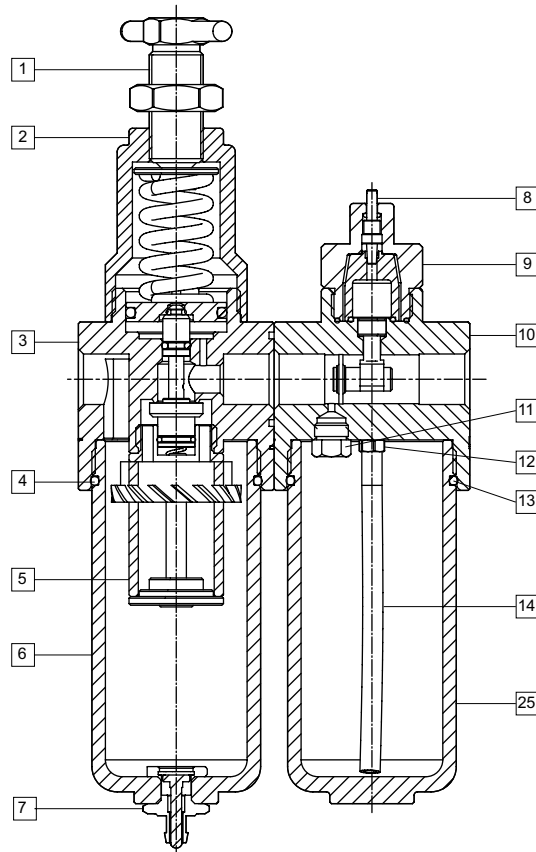
- For high pressure use, corrosion and hemical resistance;
- Good performance in chemical working environments and outdoor facility;
- Suitable for food, medical, chemical, off-shore and mining industry;
- Metallic parts meet NACE Standard MR-01-75(*);
- The product effectively removes water and particle;
- Accurate and sensitive pressure setting;
- Lubricator oil can be replenished without stopping air supply.

The modular units are supplied together with the bracket nuts and gauge always in stainless steel material.

How to order: A01FRRX40NPT

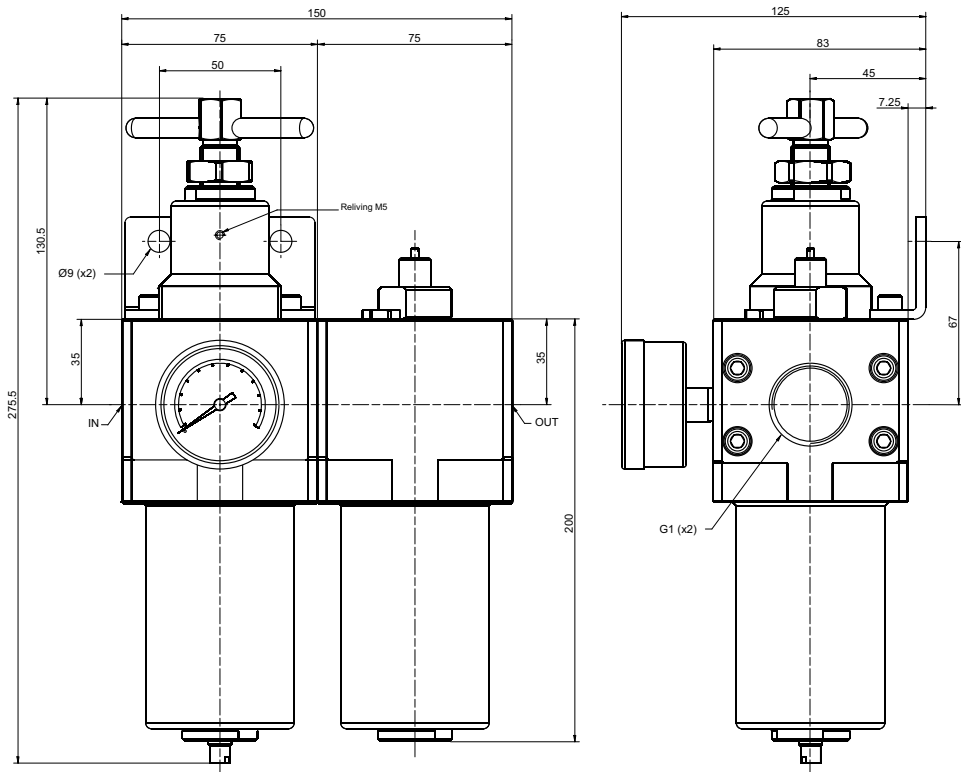
A01FRRX	40	NPT
Version	Option	Option

Technical data					
Item	A01FRRLX	A01FRRX	A01FX	A01RX	A01LX
Pressure	60 bar (with viewer on cup: 15bar)				
Regulation range	0,5 ÷ 12 bar (standard) - 20 ÷ 28 bar (standard)				
Overpressure exhaust	Reliving M5	Reliving M5	-	Reliving M5	-
Pressure regulator	Piston	Piston	-	Piston	-
Max. flow rate (l/min)	8000 l/min	8900 l/min	9600 l/min	9400 l/min	13200 l/min
Temperature range	-20 ÷ +150 °C (standard) -40 ÷ +150°C (BT)				
Suggested oil	With ISO VG 32 viscosity according to normative ISO 3448				
Filtering element	5 µm (standard) 40 µm (on request)	-	5 µm (standard) 40 µm (on request)	-	-
Condense drain	Semi-automatic (standard) - On request manual/automatic			-	-
Cup capacity	Filter: 200 cm ³ Lubricator: 220 cm ³	200 cm ³	200 cm ³	-	220 cm ³
Weight	7960 g	4580 g	3950 g	3400 g	3360 g

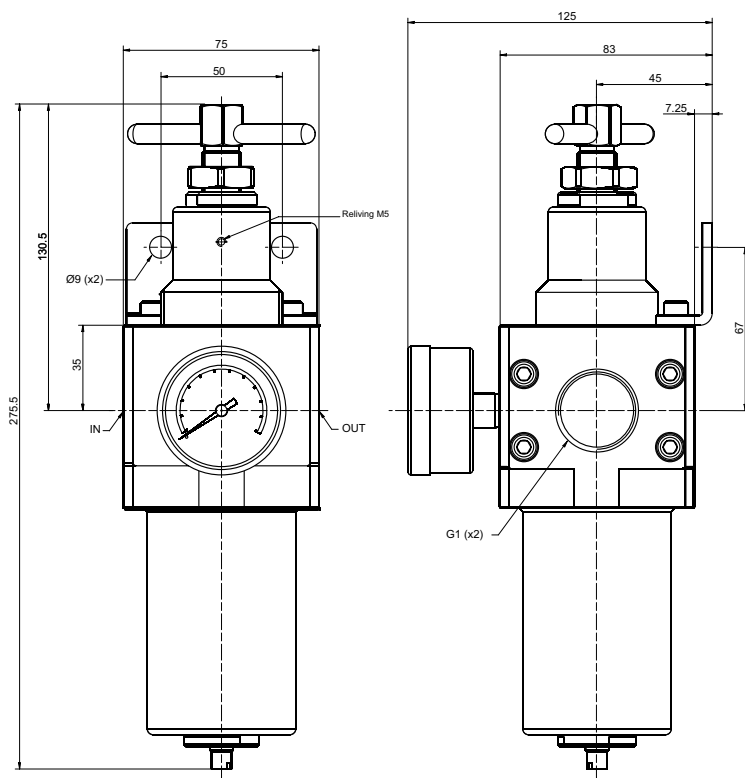


Materials

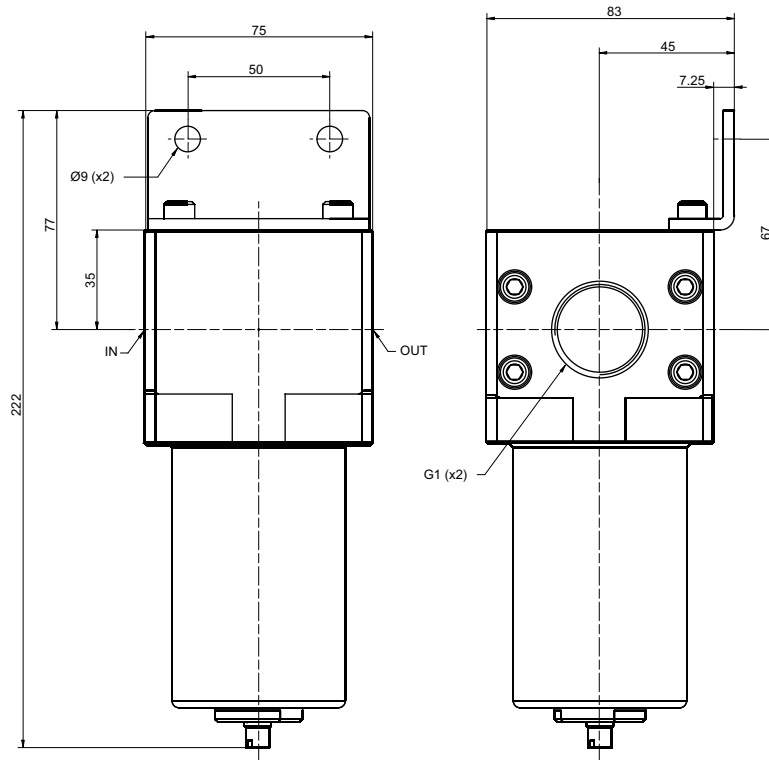
1	Pressure regulator screw	Stainless steel AISI 316	9	Lubricator cover	Stainless steel AISI 316
2	Pressure regulator cup	Stainless steel AISI 316	10	Lubricator body	Stainless steel AISI 316
3	Regulator body	Stainless steel AISI 316	11	Cover	Stainless steel AISI 316
4	O-ring seal	FKM (standard) - EPDM (BT)	12	Fitting	Stainless steel AISI 316
5	Filtering element	Stainless steel AISI 316	13	O-ring seal	FKM (standard) - EPDM (BT)
6	Filter cup	Stainless steel AISI 316	14	Pipe	PU
7	Drain unit	Stainless steel AISI 316	15	Lubricator cup	Stainless steel AISI 316
8	Oil regulation screw	Stainless steel AISI 316			



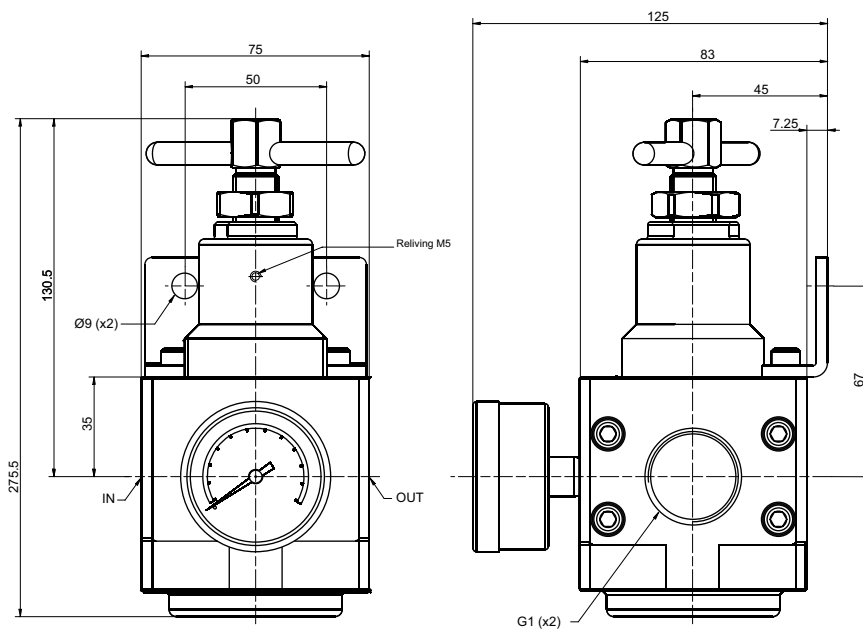
Version	Symbol	Code	Item
Filter-regulator + lubricator		090606	A01FRRLX



Version	Symbol	Code	Item
Filter-regulator		090603	A01FRRX



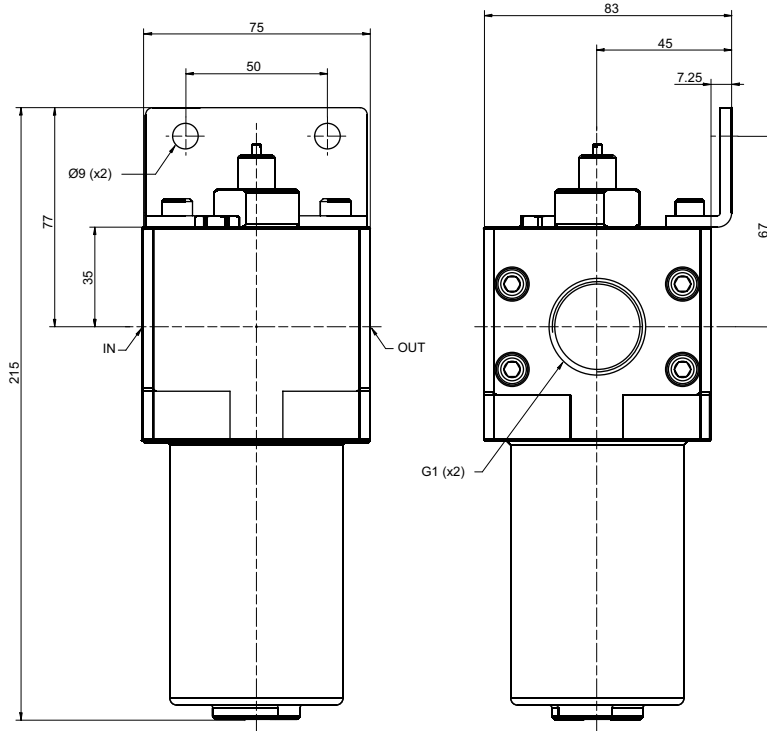
Version	Symbol	Code	Item
Filter		090609	A01FX



Version	Symbol	Code	Item
Regulator		090612	A01RX

Stainless steel airline equipment in AISI 316

1" *Dimensions*



Version	Symbol	Code	Item
Lubricator		090615	A01LX