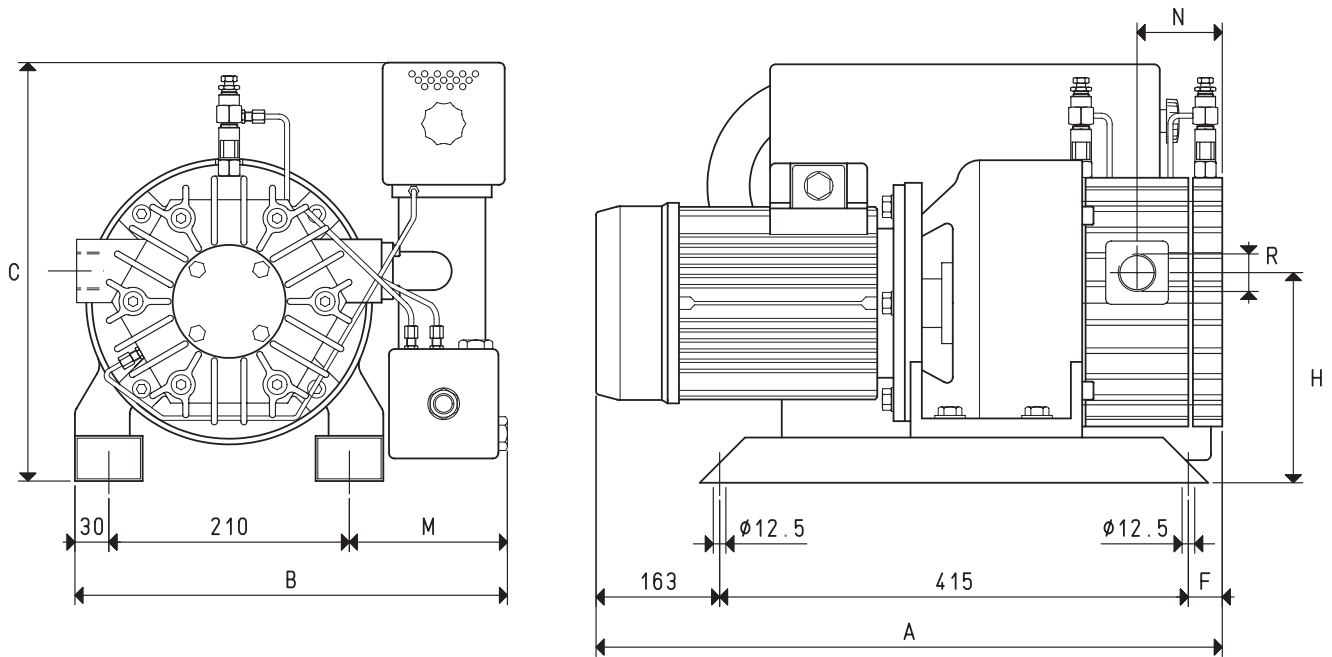


To calculate the emptying time of a volume of V_1 , use the following formula: $t_1 = \frac{t \times V_1}{100}$

- Curve relative to the flow rate (referring to the suction pressure)
- - - Curve relative to the flow rate (referring to a 1013 mbar pressure)
- Curve regarding the emptying time of a 100-litre volume

- V_1 : Volume to be emptied (l)
- t_1 : time to be calculated (sec)
- t : time obtained in the table (sec)



Item		VTL 75/G1		VTL 90/G1		VTL 105/G1	
Frequency		50Hz	60Hz	50Hz	60Hz	50Hz	60Hz
Flow rate	m ³ /h	75.0	90.0	90.0	108.0	105.0	126.0
Final pressure	mbar abs.	50		50		50	
Motor performance 3~	volt	230/400±10%	265/460±10%	230/400±10%	265/460±10%	230/400±10%	265/460±10%
Motor power 3~	Kw	2.20	2.70	3.00	3.60	3.00	3.60
Motor protection	IP	55		55		55	
Rotation speed	g/min ⁻¹	1450	1755	1440	1700	1440	1700
Motor shape		B5		B5		B5	
Motor size		100		100		100	
Noise level	dB(A)	70	72	71	73	72	74
Max weight 3~	kg	76.5		84.0		97.6	
A		640		660		690	
B		385		400		400	
C		400		400		445	
F		62		82		112	
H		186		186		186	
M		145		150		160	
N		80		92		122	
R	Ø gas	G1"1/4		G1"1/4		G1"1/2	
Accessories and Parts		VTL 75/G1		VTL 90/G1		VTL 105/G1	
Oil charge	L	2.0		2.6		2.6	
Lubricating oil	type	ISO 150		ISO 150		ISO 150	
Deoiling cartridge	item	00 VTL 75G1 29		00 VTL 90G1 29		00 VTL 105G1 29	
6 vanes	item	00 VTL 75G1 10		00 VTL 90G1 10		00 VTL 105G1 10	
Sealing kit	item	00 KIT VTL 75G1		00 KIT VTL 90G1		00 KIT VTL 105G1	
Check valve	item	10 06 10		10 06 10		10 07 10	
Exhaust filter	item	FB 40/FC 40		FB 40/FC 40		FB 50/FC 50	
Adjustable drip oiler	item	00 VTL 00 11		00 VTL 00 11		00 VTL 00 11	