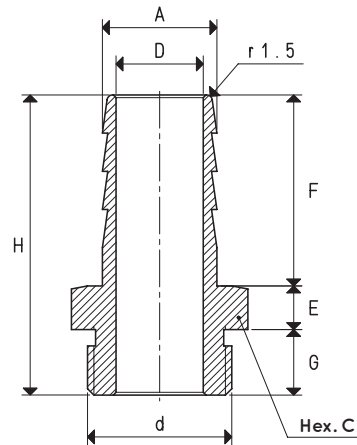
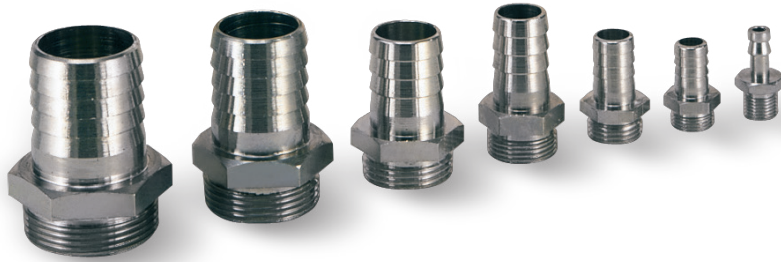


HOSE ENDS

Our hose ends are traditional barbed nickel-plated and brass fittings. They are suited for connecting smooth or reinforced flexible hoses with an internal diameter up to 76 mm.



Item	d Ø	A Ø	C	D Ø	E	F	G	H	Material	Weight g
RS 1/4"	G1/4"	9	17	5	5	18	12	35	nickel-plated brass	20
RS 3/8"	G3/8"	13	19	9	5	20	8	33	nickel-plated brass	30
RS 1/2"	G1/2"	16	23	12	5	25	10	40	nickel-plated brass	50
RS 3/4"	G3/4"	21	28	16	8	35	12	55	nickel-plated brass	90
RS 1"	G1"	27	36	22	8	35	12	55	nickel-plated brass	130
RS 1" 1/4	G1" 1/4	35	44	28	10	42	15	67	nickel-plated brass	270
RS 1" 1/2	G1" 1/2	40	50	33	10	45	15	70	nickel-plated brass	320
RS 3"	G3"	76	100	66	10	60	30	100	nickel-plated iron	1450

Transformation ratio: N (newton) = Kg x 9.81 (force of gravity)

$$\text{inch} = \frac{\text{mm}}{25.4}; \text{pounds} = \frac{\text{g}}{453.6} = \frac{\text{Kg}}{0.4536}$$

Adapters for GAS - NPT threading available on page 1.130