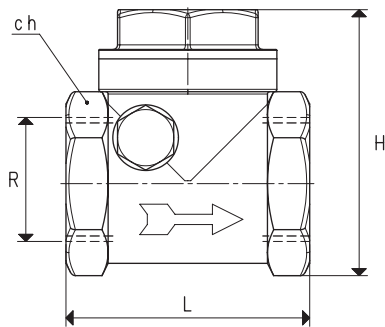


CHECK VALVES

These unidirectional valves are made with bronze and brass with a seal in NBR nitrile rubber or, upon request, in Viton®.

To ensure a practical assembly they are available in two versions: horizontal and vertical.

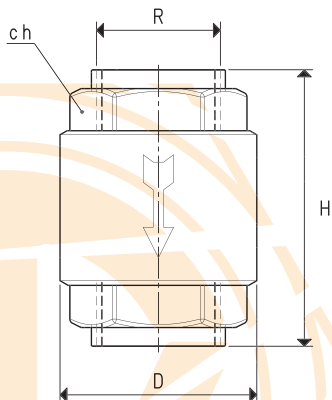
Fitted on the vacuum pump suction inlet, as soon as the latter stop, these valves prevent the air from returning in the plant (piping, tanks, autoclaves, vacuum gripping systems, vacuum cups, etc.), guaranteeing a perfect seal and preventing the oil from returning into the pump stator, which would cause considerable damages. Therefore, check valves are mandatory on all vacuum pumps with lubrication that do not have them built-in.



HORIZONTAL

Art.	R Ø	Ch	H	L	Weight Kg
10 02 10	G3/8"	27	49	43	0.19
10 03 10	G1/2"	27	49	43	0.17
10 04 10	G3/4"	34	58	52	0.27
10 05 10	G1"	42	66	62	0.43
10 06 10	G1" 1/4	50	75	72	0.59
10 07 10	G1" 1/2	57	86	80	0.79
10 08 10	G2"	69	99	94	1.08

Note: To order the valve with Viton® seal, add the letter V to the article (E.g.: 10 02 10 V)



VERTICAL

Art.	R Ø	Ch	D Ø	H	Weight Kg
10 01 11	G1/4"	21	28	47	0.10
10 02 11	G3/8"	25	35	59	0.17
10 03 11	G1/2"	26	35	58	0.12
10 04 11	G3/4"	33	42	65	0.28
10 05 11	G1"	40	48	74	0.42
10 06 11	G1" 1/4	50	61	82	0.64
10 07 11	G1" 1/2	55	71	92	0.87
10 08 11	G2"	70	87	100	2.70

Note: To order the valve with Viton® seal, add the letter V to the article (E.g.: 10 02 11 V)

$$\text{Conversion ratio: inch} = \frac{\text{mm}}{25.4} \quad \text{pounds} = \frac{\text{g}}{453.6} = \frac{\text{Kg}}{0.4536}$$

GAS-NPT thread adapters available at page 1.117