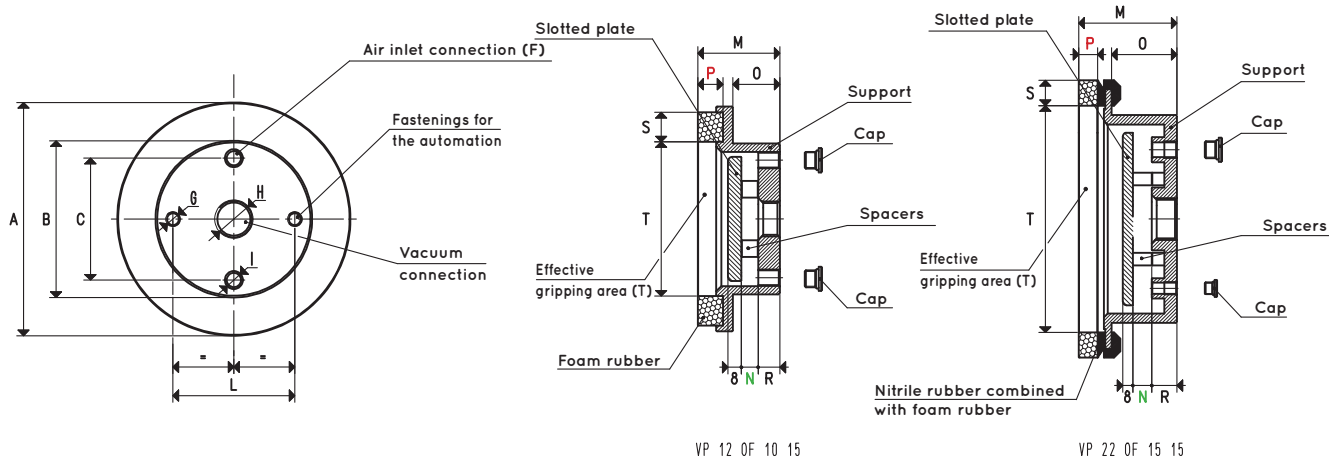


For the gripping of bags, packs and flexible containers in paper or plastic, containing powders, granulated products, loose or liquid products. These new vacuum cups have been designed and manufactured to safely grip even the most difficult and irregular packages. Made of anodised aluminium and equipped with a slotted plate inside them to allow flexible containers to perfectly adapt to the cup, as well as a special foam rubber seal which, following the inevitable creases that form on flexible containers during gripping, prevents perimeter vacuum losses.

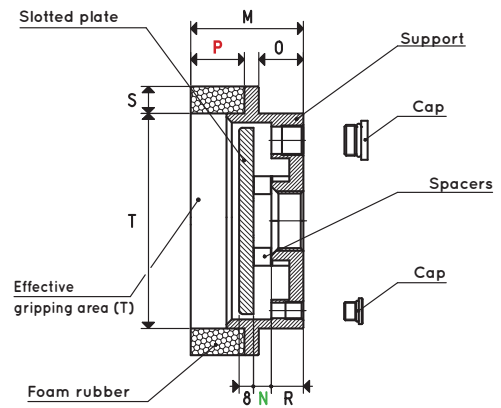
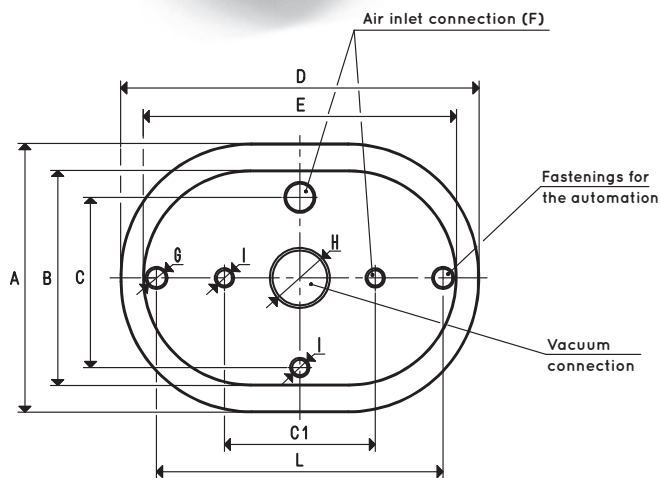
They are especially suitable for gripping flow packs, flexible containers for intravenous therapy, bags of sweets or other similar products, plastic bags of granulated products, of cement, sugar or flour, etc.

The lifting force was calculated considering a level of vacuum of at least -75 Kpa, the total surface enclosed within the seal and a factor of safety 3.



ROUND VACUPREDATOR VACUUM CUPS

Item	Force Kg	A Ø	B Ø	C	F Ø	G Ø	H Ø	I Ø	L	M	N	O	P	R	S	T Ø	Weight Kg
VP 12 OF 10 15	17.5	134	89	70	G1/8"	M8	G1/2"	G1/8"	70	49	10	28	15	13	17.5	92	0.54
VP 22 OF 15 15	63.6	220	165	110	G1/4"	M12	G1"	G1/8"	120	78	15	52	15	20	20.0	180	1.55



ELLIPTICAL VACUPREDATOR VACUUM CUPS

Item	Force Kg	A	B	C	C1	D	E	F	G	H	I	L	M	N	O	P	R	S	T	Weight Kg
VP 06 12 OF 10 15	9.4	60	40	--	--	120	111	--	M8	G3/8"	--	100	49	10	29	15	14	10	40 x 100	0.36
VP 09 16 OF 10 30	17.9	90	60	--	80	160	145	G1/4"	M8	G1/2"	G1/8"	130	63	10	25	30	18	15	60 x 130	0.63
VP 09 21 OF 10 30	27.4	95	60	--	80	210	185	G1/4"	M12	G1/2"	G1/8"	160	63	10	25	30	18	15	65 x 180	0.80
VP 15 20 OF 10 30	43.8	150	120	95	--	200	175	G3/8"	M12	G1"	G1/8"	160	63	10	25	30	18	15	120 x 170	1.10
VP 20 30 OF 15 30	82.5	200	150	115	--	300	250	G3/8"	M12	G1"	G1/8"	200	78	15	40	30	20	25	150 x 250	2.24
VP 30 40 OF 15 30	174.4	300	250	160	--	400	350	G3/8"	M12	G2"	G1/8"	300	78	15	40	30	20	30	240 x 340	3.85

CODING EXAMPLE:



Model:
Vacu Predator

Dimensions:

- 06 12 (60 x 120 mm)
- 09 16 (90 x 160 mm)
- 09 21 (95 x 210 mm)
- 15 20 (150 x 200 mm)
- 20 30 (200 x 300 mm)
- 30 40 (300 x 400 mm)
- 12 (ø 134 mm)
- 22 (ø 220 mm)

Foam rubber (P) height:
for VP0612-VP0916-VP0921-VP12-VP22
15-20-25-30 mm

for VP1520-VP2030-VP3040
20-25-30-40 mm

Spacer (N) height:
5 mm
10 mm
15 mm

Type of Foam
Rubber compound:
OF: ORANGE FOAM
SB: EXTRA SOFT
NF: NEOPRENE