



Standard executions

Version	Symbol	Type
Female clevis		FFISO

Options

Options	Suffix
With a pin and 2 seegers (M27 and M36 already standard)	P
Special versions on request	/ S

Clevis conforming to ISO 8140 standards.

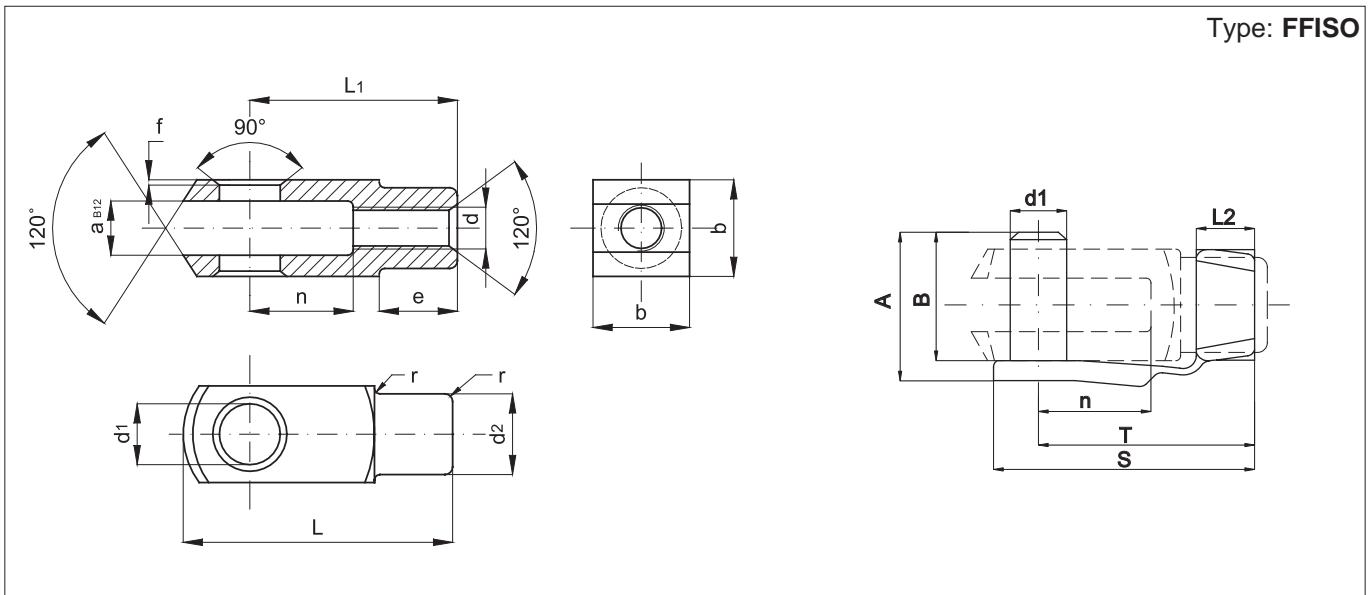
They are complete with clips in the standard version (the models M27X2 and M36X2 are normally provided with a pin and 2 seegers).

The clevis is mounted on the cylinder rod and allows a swinging movement.

Technical data

Material	White zinc plated steel
----------	-------------------------

Type: **FFISO**



Code	Item	For cylinder Ø mm	d	a	A	S	B	b	d1	T	L2	d2	e	f	L	L1	n	r	Weight (g)
041001	4FFISO	8-10	M4x0,7	4	11	19	9	8	4	15	5	8	6	0,5	21	16	8	0,5	7
041002	6FFISO	12-16	M6x1	6	16	28	14	12	6	23	6	10	9	0,5	31	24	12	0,5	19
041003	8FFISO	20	M8x1,25	8	22	37	19	16	8	31	8	14	12	0,5	42	32	16	0,5	47
041004	10FFISO	25-32	M10x1,25	10	26	46	23	20	10	39	10	18	15	0,5	52	40	20	0,5	89
041005	12FFISO	40	M12x1,25	12	32	55	28	24	12	47	12	20	18	0,5	62	48	24	0,5	153
041006	16FFISO	50-63	M16x1,5	16	40	72	36	32	16	62	14	26	24	1	83	64	32	1	320
041007	20FFISO	80-100	M20x1,5	20	48	88	44	40	20	72	16	34	30	1	105	80	40	1	680
041008	24FFISO	*	M24x2	25	-	-	-	50	25	-	-	42	36	1	132	100	50	1	1330
041009	27FFISO	125	M27x2	30	-	-	-	55	30	-	-	48	38	1	148	110	54	1	1810
041010	36FFISO	160-200	M36x2	35	-	-	-	70	35	-	-	60	40	1	188	144	72	1	3890
041068	42FFISO	250	M42x2	40	104,3	-	-	85	40	-	-	70	63,5	1	232	168	84	5	5300
041069	48FFISO	320	M48x2	50	117,3	-	-	96	50	-	-	82	73	1	265	192	96	5	7900

* For cylinders not conforming to standards.

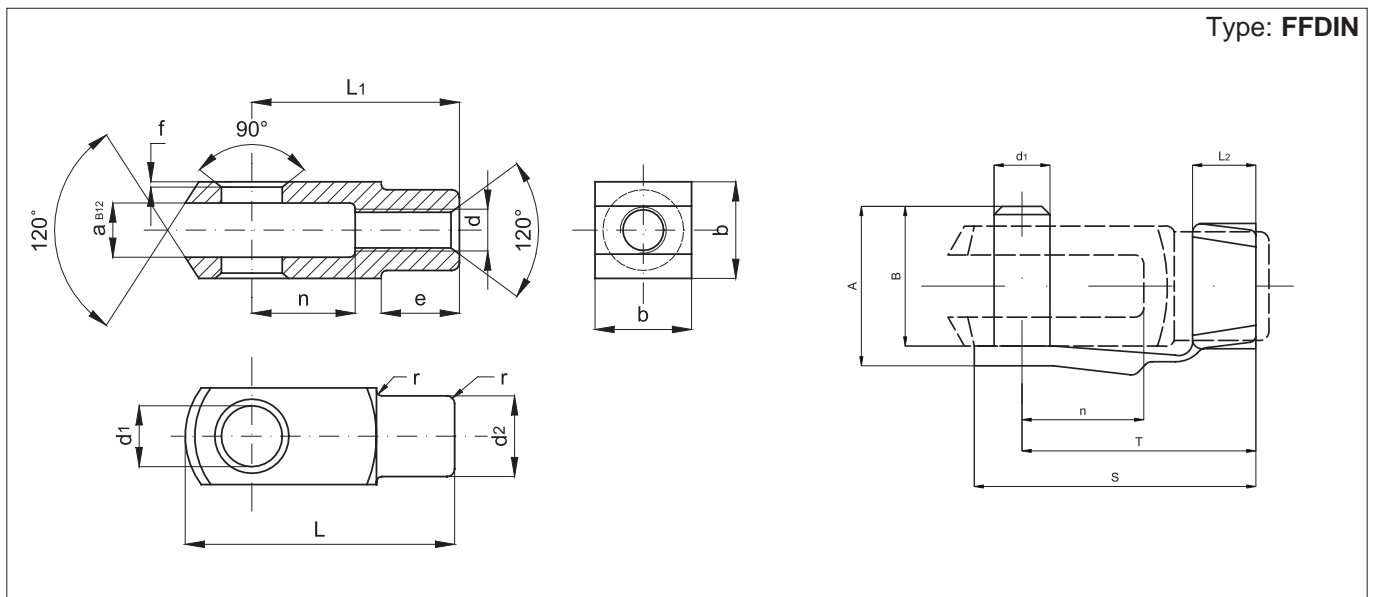


Standard executions		
Version	Symbol	Type
Female clevis		FFDIN

Clevis conforming to UNI 1676 - DIN 71752 standards. They are complete with clips in the standard version (the model M24X3 is normally provided with a pin and 2 seegers). The clevis is mounted on the cylinder rod and allows a swinging movement.

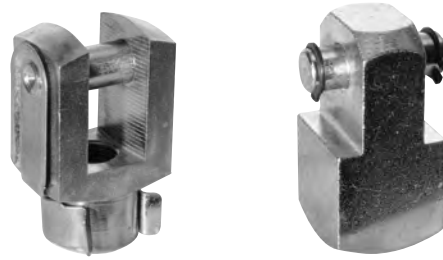
Options	Suffix
Special versions on request	/ S

Technical data	
Material	White zinc plated steel



Code	Item	d	a	A	B	b	d ₁	S	T	L ₂	d ₂	e	f	L	L ₁	n	r	Weight (g)
041001	4FFDIN	M4x0,7	4	11	9	8	4	19	15	5	8	6	0,5	21	16	8	0,5	7
041022	5FFDIN	M5x0,8	5	13,5	12	10	5	23	19	6	9	7,5	0,5	26	20	10	0,5	12
041002	6FFDIN	M6x1	6	16	14	12	6	28	23	6	10	9	0,5	31	24	12	0,5	19
041003	8FFDIN	M8x1,25	8	22	19	16	8	37	31	8	14	12	0,5	42	32	16	0,5	47
041025	10FFDIN	M10x1,5	10	26	23	20	10	46	39	10	18	15	0,5	52	40	20	0,5	89
041026	12FFDIN	M12x1,75	12	32	28	24	12	55	47	12	20	18	0,5	62	48	24	0,5	153
041027	14FFDIN	M14x2	14	-	-	27	14	-	-	-	24	22,5	1	72	56	28	1	224
041028	16FFDIN	M16x2	16	40	36	32	16	72	62	14	26	24	1	83	64	32	1	320
041030	20FFDIN	M20x2,5	20	48	44	40	20	88	72	16	34	30	1	105	80	40	1	680
041067	24FFDIN	M24x3	25	-	-	50	25	-	-	-	42	36	1	132	100	50	1	1330

Standard executions		
Version	Symbol	Type
Female clevis		FFDIN
Male clevis		FMCN



Clevis conforming to CNOMO standards.

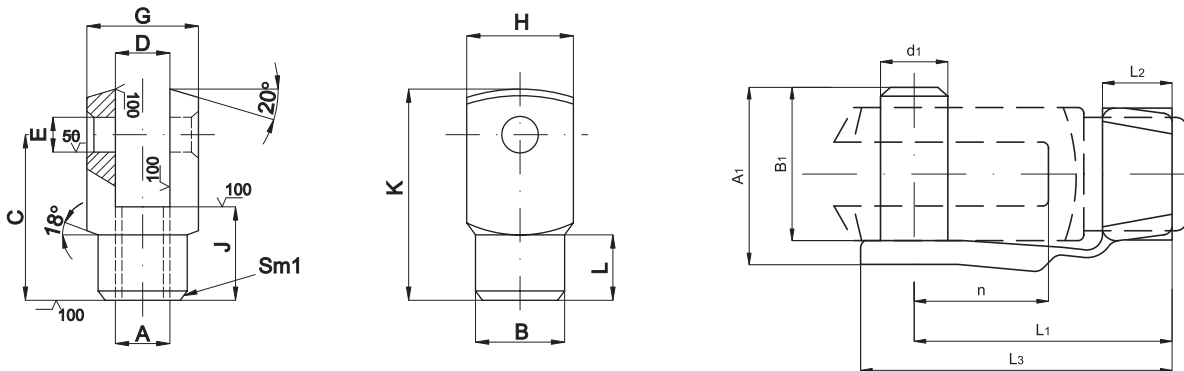
In the standard version the female ones are complete with clips (the model M36X2 is normally provided with a pin and 2 seegers) while the male ones are without pins or clips.

The clevis is mounted on the cylinder rod and allows a swinging movement.

Options	Suffix
Special versions on request	/ S

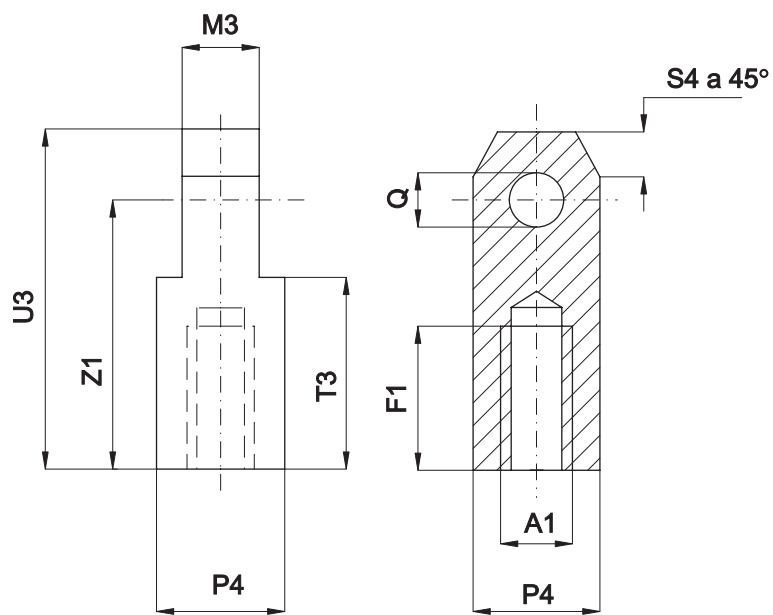
Technical data	
Material	Yellow zinc plated steel

Type: **FFCN**



Code	Item	For cylinder Ø mm	A	A ₁	B	B ₁	C	D _{H11}	E _{H8}	G	H	L ₁	J	L ₂	K	L ₃	L	n	Weight (g)
041081	10FFCN	32	M10x1,5	28	18	25	36	11	8	22	22	36	20	10	45	41	14	16	94
041082	16FFCN	40-50	M16x1,5	44	26	40	51	18	12	36	26	50	26	12	64	60	17	25	253
041084	20FFCN	63-80	M20x1,5	53	34	49	63	22	16	45	34	63	30	15	80	74	18,5	33	530
041086	27FFCN	100-125	M27x2	73	42	69	85	30	20	63	42	81	45	19	105	98	30	40	1110
041088	36FFCN	160-200	M36x2	-	50	-	115	40	25	80	50	-	75	-	140	-	45	-	2160

Type: **FMCN**



Code	Item	For cylinder Ø mm	A ₁	F ₁	M ₃	P ₄	Q _{h8}	S ₄	T ₃	U ₃	Z ₁
041041	10FMCN	32	M10x1,5	20	11	22	8	6	25	45	36
041042	16FMCN	40-50	M16x1,5	30	18	32	12	10	34	64	51
041044	20FMCN	63-80	M20x1,5	36	22	36	16	12	41	80	63
041046	27FMCN	100-125	M27x2	50	30	45	20	17,5	58	105	85
041048	36FMCN	160-200	M36x2	70	40	63	25	20	81	140	115

Standard executions		
Version	Symbol	Type
Female clevis with male thread		FE

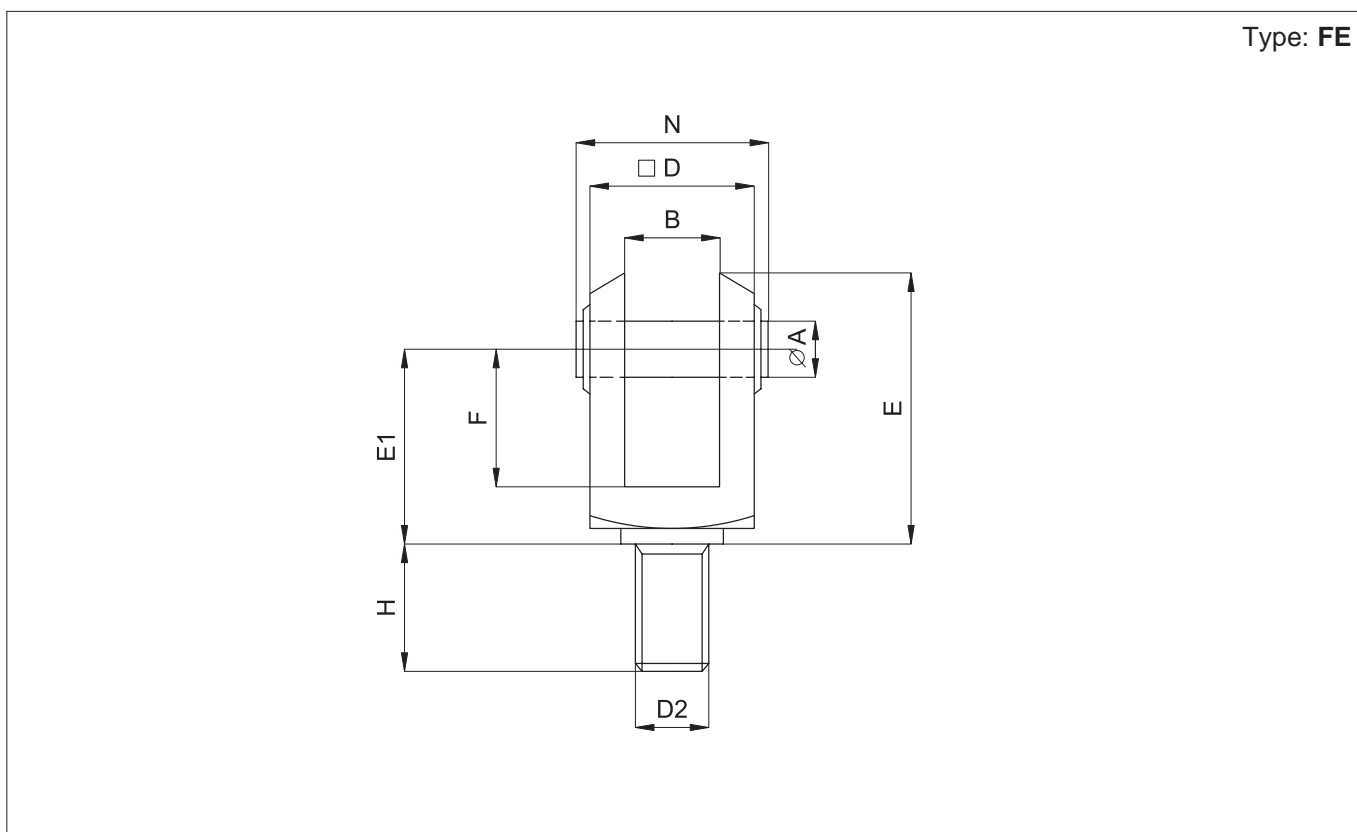


Female clevis with male thread, complete with a pin and 2 seegers in the standard version.

The clevis is mounted on the cylinder rod and allows a swinging movement.

Options	Suffix
Special versions on request	/ S

Technical data	
Material	Yellow zinc plated steel



Code	Item	A Ø	B	D	D ₂	E	E ₁	F	H	N
041061	10FE	10	10	20	M10x1,25	39	27	20	22	27
041062	12FE	12	12	24	M12x1,25	46	32	24	24	31
041063	16FE	16	16	32	M16x1,5	61	42	32	32	39
041064	20FE	20	20	40	M20x1,5	77	52	40	40	49
041065	27FE	25	25	50	M27x2	98	66	50	43	59
041066	33FE	28	28	55	M33x2	110	74	56	56	64

Standard executions		
Version	Symbol	Type
With female thread		RF..SE

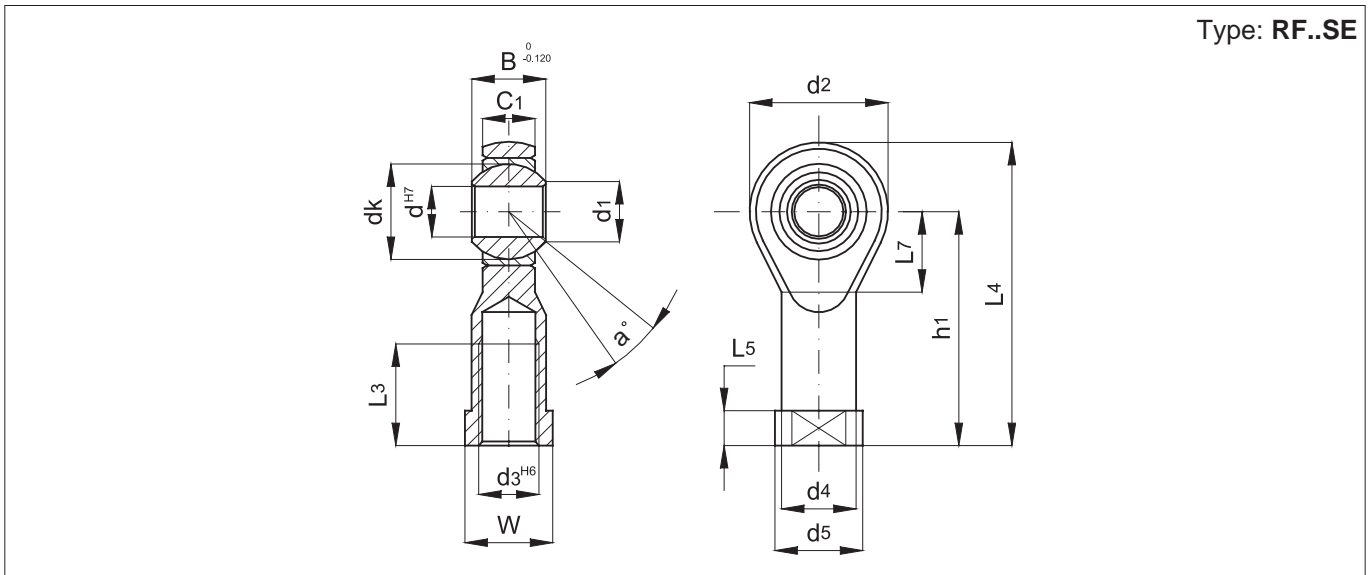


Options	Suffix
With male thread	RM..SE
With female thread (big pitch)	G
With left thread	S

Self-lubricating bearing heads servicing-free and conforming to DIN 648-K and ISO 8139 standards.
The bearing head is mounted on the cylinder rod.

Technical data	
Temperature range	-30 °C ÷ +150 °C
Materials	Body: Zinc / nickel plated steel Sphere: Hardened ground polished steel External ring: Self-lubricating brass/ PTFE

The options can be combined (when this is possible).



Code	Item	For cylin. ISO Ø mm	d	d ₃	B	C ₁	d ₁	d ₂	d ₄	d ₅	dk	h ₁	L ₃	L ₄	L ₅	L ₇	W	Static load (daN)	a°	Weight (g)
041551	RF4SE	8-10	5	M4	8	6	7,7	18	9	11	11,112	27	10	36	4	10	9	600	13	19
041552	RF6SE	12-16	6	M6	9	6,75	8,9	20	10	13	12,700	30	12	40	5	11	11	700	13	26
041553	RF8SE	20	8	M8	12	9	10,4	24	12,50	16	15,875	36	16	48	5	13	14	1200	14	46
041554	RF10SE	25-32	10	M10x1,25	14	10,50	12,9	28	15	19	19,050	43	20	57	6,5	15	17	1400	13	75
041555	RF12SE	40	12	M12x1,25	16	12	15,4	32	17,50	22	22,225	50	22	66	6,5	17	19	1900	13	112
041557	RF16SE	50-63	16	M16x1,5	21	15	19,3	42	22	27	28,575	64	28	85	8	23	22	4800	15	220
041559	RF20SE	80-100	20	M20x1,5	25	18	24,3	50	27,50	34	34,925	77	33	102	10	27	30	5200	14	406
041562	RF30SE	125	30	M27x2	37	25	34,8	70	40	50	50,800	110	51	145	15	36	41	10800	17	1120
041563	RF35SE	160-200	35	M36x2	43	28	37,7	80	46	58	57,150	125	56	165	17	41	50	12400	19	1595
041571	RF40SE	250	40	M42x2	49	33	45,2	91	53	65	66,670	142	60	187,5	19	45	55		17	
041572	RF50SE	320	50	M48x2	60	45	56,6	117	65	75	82,500	160	65	218,5	23	58	65		12	

Standard executions		
Version	Symbol	Type
Axial		GB



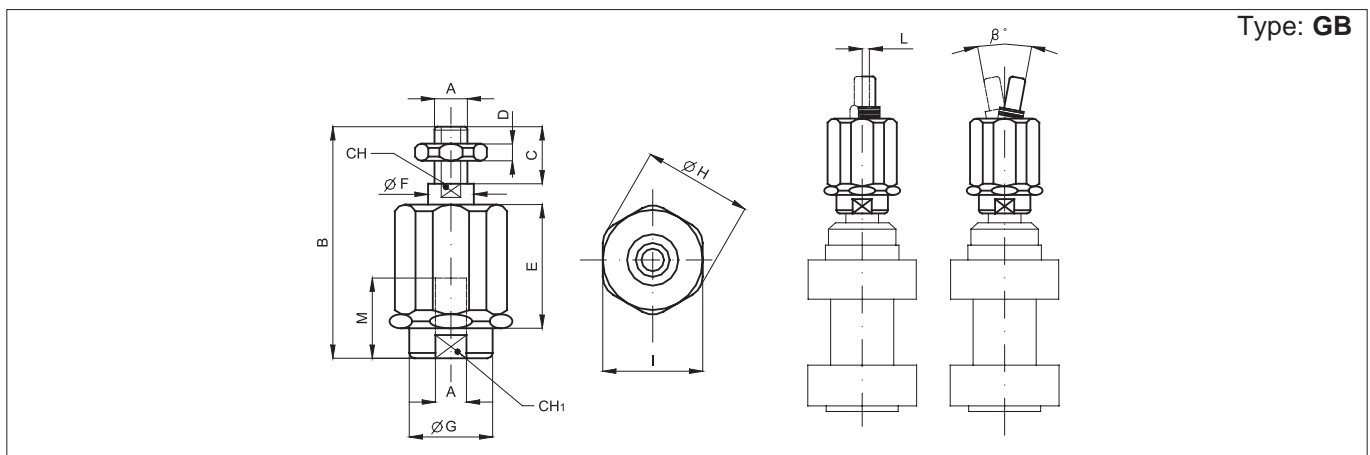
Axial self-aligned articulated couplings mounted on the cylinder rod.

They are fit for applications with high tractions and allow to compensate the angular and parallel misalignments.

They are provided with hexagonal nut in the standard version.

Options	Suffix
Special versions on request	/ S

Technical data	
Material	Zinc plated steel



Code	Item	For cylin. ISO Ø mm	A	B	C	D	E	F	G	H	I	L	M	CH	β°	CH ₁	Maximum load (N) in thrust and traction	Weight (g)
041701	GB008	8-10	M4x0,7	33	8	2,2	15,5	6	8,5	14,5	12	1	10	3,2	10	12	750	20
041700	GB005	*	M5x0,8	38,5	13,5	2,5	17,5	6	8,5	14,5	13	1	10	5	10	7	1200	20
041702	GB010	12-16	M6x1	39	12	3,2	17,5	6	8,5	14,5	13	1	10	5	10	7	1200	23
041703	GB020	20	M8x1,25	55	16	4	24,5	8	12,5	19	17	2	20	7	10	10	2500	60
041704	GB040	25-32	M10x1,25	73	20	5	34	14	21	32	30	2	20	12	10	19	5000	230
041705	GB050	*	M10x1,5	73	20	5	34	14	21	32	30	2	20	12	10	19	5000	230
041706	GB060	40	M12x1,25	77	24	6	34	14	21	32	30	2	20	12	10	19	5000	230
041707	GB090	*	M12x1,75	77	24	6	34	14	21	32	30	2	20	12	10	19	5000	230
041708	GB100	50-63	M16x1,5	108	32	8	54	22	33,5	45	41	2	32	19	10	30	10000	650
041709	GB120	80-100	M20x1,5	122	40	9	54	22	33,5	45	41	2	40	19	10	30	10000	710
041711	GB130	125	M27x2	147	54	13,5	71	-	59	60	55	-	40	24	-	32	-	1600
041712	GB160 - 200	160-200	M36x2	241	72	14	125	-	56	80	75	-	40	36	-	50	-	5100
041713	GB250	250	M42x2	271	82	16	148	-	64	98	85	-	40	36	-	60	-	9200
041714	GB320	320	M48x2	271	82	18	-	-	-	-	90	-	40	42	-	60	-	-

* For cylinders not conforming to standards.

Standard executions		
Version	Symbol	Type
Axial		RBI

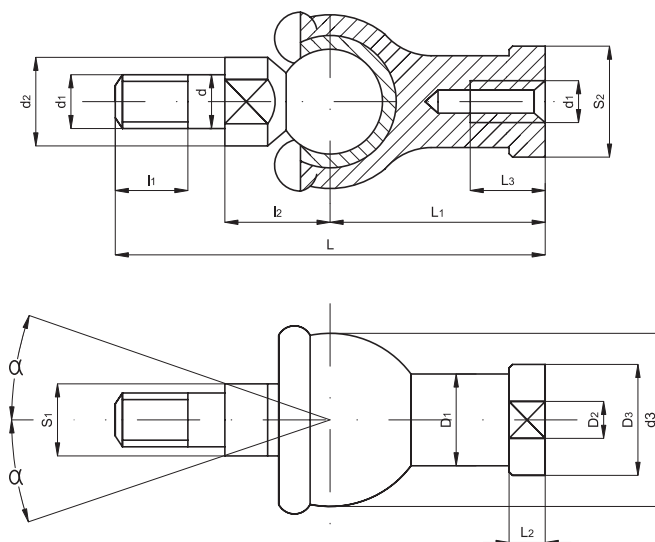


Axial articulated couplings with bearing. They are mounted on the cylinder rod and allow to compensate the angular misalignments.

Options	Suffix
Special versions on request	/ S

Technical data	
Temperature range	-20 °C ÷ +80 °C
Materials	Body: Special zinc alloy Pin: Zinc plated steel Seal: Neoprene Pre-lubricated spherical coupling

Type: **RBI**



Code	Item	For cylin. Ø mm	d	d1	d2 min	d3 max	l1 min	l2	S1	L max	L1	L2 max	L3 min	D1 max	D2 max	D3 max	S2	Load (KN)		α	Weight (g)
																		Dynam.	Static		
041601	RBI5	*	5	M5x0,8	9	20	8	11	7	46	24	4	12	9	12	17	10	1,7	5,7	15	25
041602	RBI6	12-16	6	M6x1	10	20	11	12,2	8	55,2	28	5	15	10	13	20	10	2,2	7,5	15	40
041603	RBI8	20	8	M8x1,25	12	24	12	16	10	65	32	5	16	12,5	16	24	13	3,3	11	15	75
041604	RBI10	25-32	10	M10x1,25	14	30	15	19,5	11	74,5	35	6,5	18	15	19	28	16	4,8	16	15	121
041605	RBI12	40	12	M12x1,25	19	32	17	21	16	84	40	6,5	20	17,5	22	32	18	6,6	22	15	187
041606	RBI14	*	14	M14x1,5	19	38	22	23,5	16	104,5	45	8	25	20	25	36	21	8,7	29	11	277
041607	RBI16	50-63	16	M16x1,5	22	44	23	25,5	18	112	50	8	27	22	27	40	24	10	33	11	361
041608	RBI18	*	18	M18x1,5	25	45	25	31	21	130,5	58	10	32	25	31	45	27	11	37	11	539
041609	RBI20	80-100	20	M20x1,5	29	50	25	31	24	133	63	10	38	27,5	34	45	30	11	37	7,5	575
041610	RBI22	*	22	M22x1,5	29	52	26	33	24	145	70	12	43	30	37	50	30	14	46	7,5	757

* For cylinders not conforming to standards.

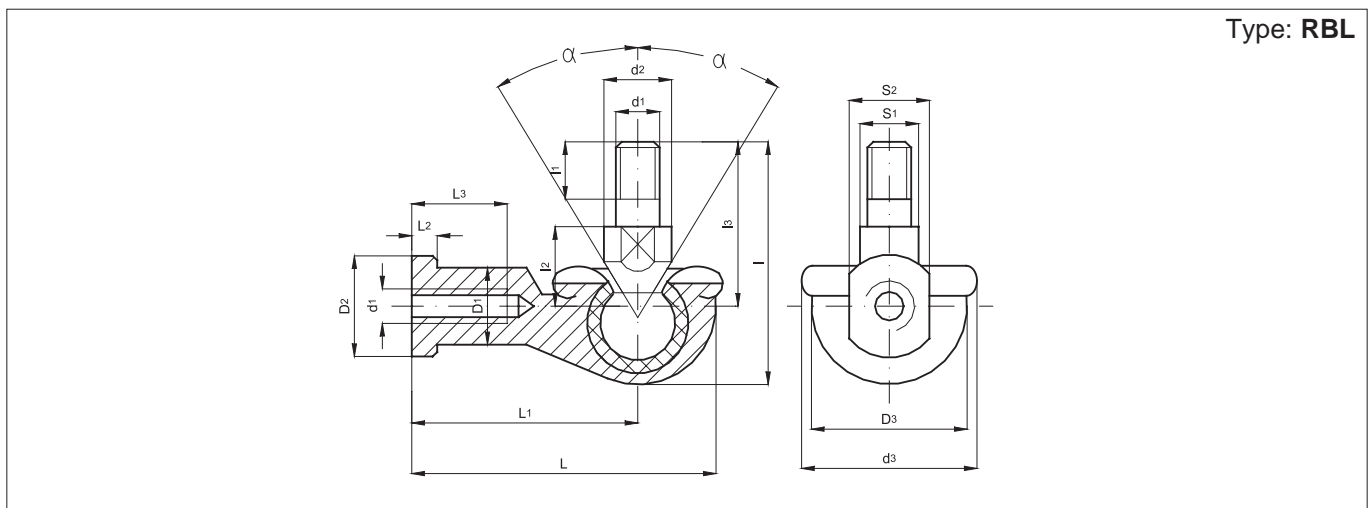
Standard executions		
Version	Symbol	Type
Angular		RBL



Articulated couplings with bearing and with pin perpendicular to the body.
They are mounted on the cylinder rod and allow to compensate the angular misalignment.

Options	Suffix
Special versions on request	/ S

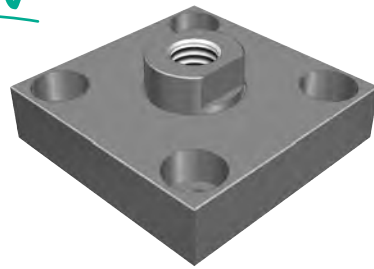
Technical data	
Temperature range	-20 °C ÷ +80 °C
Materials	Body: Special zinc alloy
	Pin: Zinc plated steel
	Seal: Neoprene
	Pre-lubricated spherical coupling



Code	Item	For cylin. Ø mm	d	d ₁	d ₂ min	d ₃ max	l max	l ₁ min	l ₂	l ₃ max	S ₁	L max	L ₁	L ₂ max	L ₃ min	D ₁ max	D ₂ max	D ₃ max	S ₂	Load (KN)		α	Weight (g)
																				Dyn.	Stat.		
041651	RBL5	*	5	M5x0,8	9	20	30	8	10	21	7	36	27	4	14	9	12	18	10	2,7	9,2	25	26
041652	RBL6	12-16	6	M6x1	10	20	36	11	11	26	8	40,5	30	5	14	10	13	20	10	3,6	12	25	39
041653	RBL8	20	8	M8x1,25	12	24	43,5	12	14	31	10	49	36	5	17	12,5	16	25	13	5,7	19	25	68
041654	RBL10	25-32	10	M10x1,25	14	30	51,5	15	17	37	11	58	43	6,5	24	15	19	29	16	8,2	27	25	112
041655	RBL12	40	12	M12x1,25	19	32	57,5	17	19	42	16	66	50	6,5	25	17,5	22	31	18	11	37	25	164
041656	RBL14	*	14	M14x1,5	19	38	73,5	22	21,5	56	16	75	57	8	26	20	25	35	21	14	48	25	254
041657	RBL16	50-63	16	M16x1,5	22	44	79,5	23	23,5	60	18	84	64	8	32	22	27	39	24	16	53	20	336
041658	RBL18	*	18	M18x1,5	25	45	90	25	26,5	68	21	93	71	10	34	25	31	44	27	18	61	20	464
041659	RBL20	80-100	20	M20x1,5	29	50	90	25	27	68	24	99	77	10	35	27,5	34	44	30	18	61	20	538
041660	RBL22	*	22	M22x1,5	29	52	95	26	28	70	24	109	84	12	41	30	37	50	30	22	75	16	713

* For cylinders not conforming to standards.

New



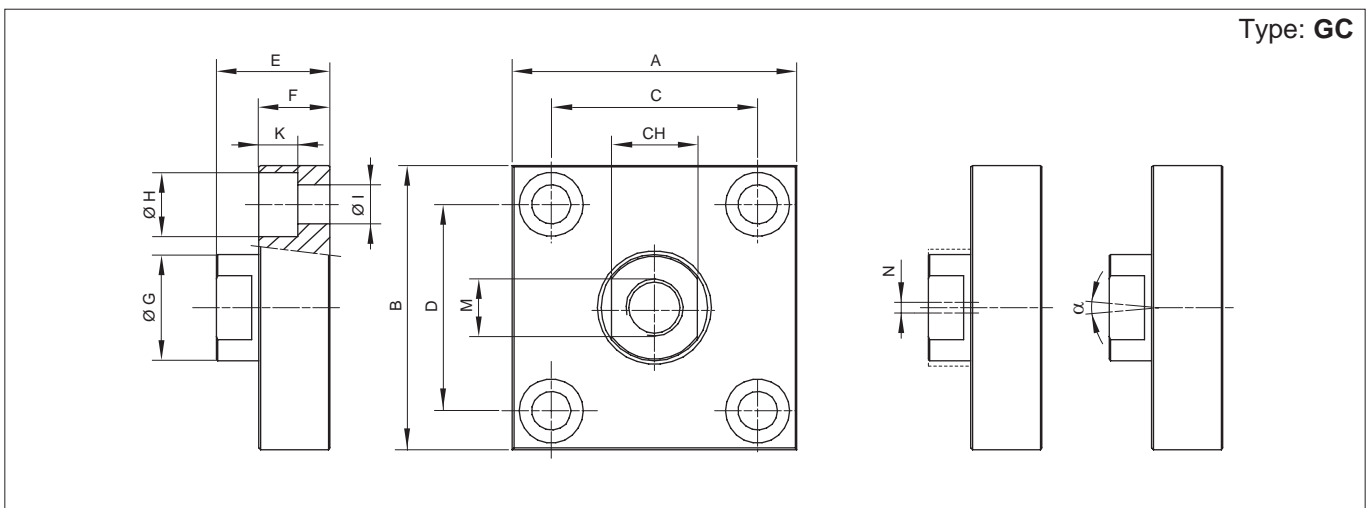
Standard executions		
Version	Symbol	Type
Self-aligned articulated couplings		GC

Axial self-aligned articulated couplings mounted on the cylinder rod.

They are suitable for applications with high tractions and allow to compensate the angular and parallel misalignments.

Options	Suffix
Special versions on request	/ S

Technical data	
Material	Zinc plated steel

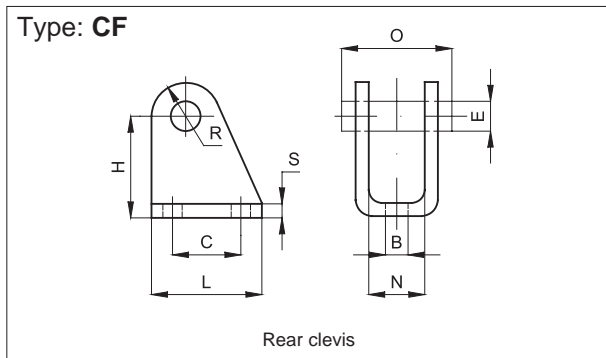


Code	Item	A	B	C	D	CH	E	F	Ø G	Ø H	Ø I	K	M	N	α	Weight (g)
041722	GCM10x1,25	60	37	36 ±0,15	23 ±0,15	17	24	15	20	11	6,6	7	M10x1,25	2	0,4÷0,8	0,3
041723	GCM12x1,25	60	56	42 ±0,2	38 ±0,2	19	30	20	25	15	9	9	M12x1,25	2	0,4÷0,8	0,4
041724	GCM16x1,5	80	80	58 ±0,2	58 ±0,2	24	32	20	30	18	11	11	M16x1,5	2	0,4÷0,8	0,9
041725	GCM20x1,5	90	90	65 ±0,2	65 ±0,2	36	35	20	40	20	14	13	M20x1,5	2	0,4÷0,8	1,1
041726	GCM27x2	90	90	65 ±0,2	65 ±0,2	36	35	20	40	20	14	13	M27x2	2	0,4÷0,8	1,1
041727	GCM36x2	125	125	90 ±0,2	90 ±0,2	50	73,5	30	60	26	18	17	M36x2	3	0,4÷0,95	3,4

Standard executions		
Version	Symbol	Type
Rear clevis with pin		CF
High foot		P
Flange		F

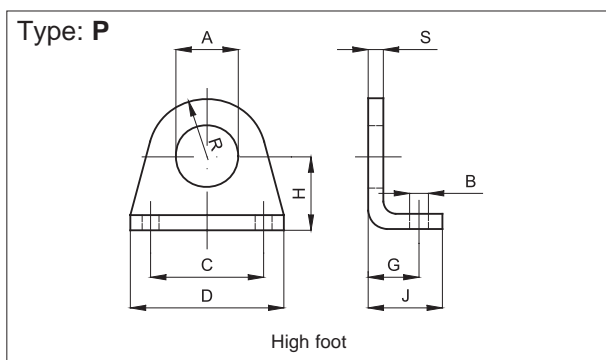


Technical data	
Material	Fe 37, sliced
Treatment	Black cataphoresis

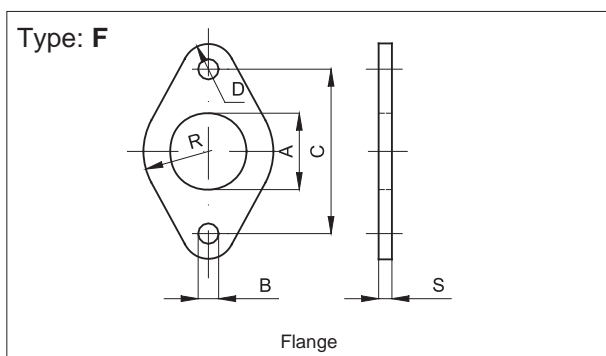


Code	Item	For cyl. Ø mm	B	E	C	H	L	N	O	R	S	Weight (g)
040041	CF8-10	8-10	4,5	4	12,5	24	20	8,1	17	5	2,5	20
040042	CF12-16	12-16	5,5	6	15	27	25	12,1	23	7	3	36
040043	CF20-25	20-25	6,6	8	20	30	32	16,1	29,5	10	4	78

Complete with a pin and 2 seegers in the standard version.



Code	Item	For cyl. Ø mm	A	B	C	D	G	H	J	R	S	Weight (g)
040021	P8-10	8-10	12	4,5	25	35	11	16	16	10	3	20
040022	P12-16	12-16	16	5,5	32	42	14	20	20	12,5	4	40
040023	P20-25	20-25	22	6,6	40	54	17	25	25	20	5	90



Code	Item	For cyl. Ø mm	A	B	C	R	D	S	Weight (g)
040001	F8-10	8-10	12	4,5	30	11	5	3	12
040002	F12-16	12-16	16	5,5	40	15	6	4	26
040003	F20-25	20-25	22	6,6	50	20	8	5	50

Standard executions

Version	Symbol	Type
Rear clevis		CF..ALIS
Rear eye		CM..ALIS
Narrow rear clevis		CFS..ALIS
Rear 90° hinge CETOPRP107P		ASV..ALIS
High foot		P..ALIS
Narrow rear eye with bearing DIN 648K		CMS..ALIS
Rear 90° hinge ISO 6431		AS..ALIS

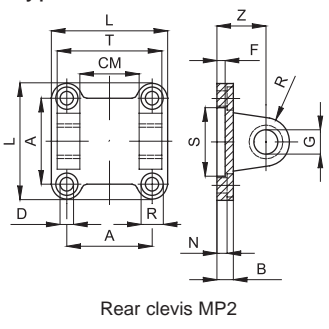


Technical data

Material	Die-cast aluminium
Treatment	Sifting

Note: The mounting screws are to be ordered separately.
For screws see page 1.101.1.

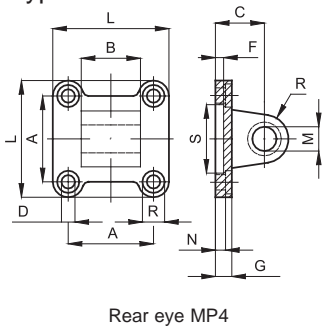
Type: CF



Code	Item	For cyl. Ø mm	A	L	D	R	N	B	S	F	Z	G	M	CM	T	Weight (g)
040441	CF32ALIS	32	32,5	45	6,6	11	5,5	9	30	5	22	10	10	26	45	48
040442	CF40ALIS	40	38	52	6,6	11	5,5	9	35	5	25	12	12	28	52	75
040443	CF50ALIS	50	46,5	65	9	15	6,5	11	40	5	27	12	12	32	60	124
040444	CF63ALIS	63	56,5	75	9	15	6,5	11	45	5	32	16	16	40	70	192
040445	CF80ALIS	80	72	95	11	18	10	14	45	5	36	16	16	50	90	380
040446	CF100ALIS	100	89	115	11	18	10	14	55	5	41	20	20	60	110	620
040447	CF125ALIS	125	110	140	14	20	10	20	60	7	50	25	25	70	130	1180
040448	CF160ALIS	160	140	180	18	26	10	20	65	7	55	30	25	90	170	1780
040449	CF200ALIS	200	175	220	18	26	11	25	75	7	60	30	25	90	170	2900
040450	CF250ALIS	250	220	270	22	33	11	25	90	11	70	40	40	110	200	5800

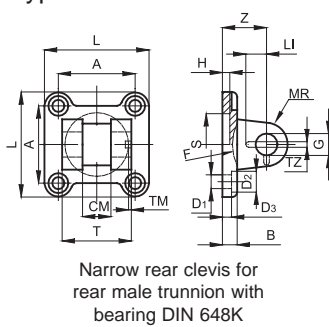
The pin is to be ordered separately: for the pin see page 1.98.2 (SEC..AQIS)

Type: CM



Code	Item	For cyl. Ø mm	A	L	D	R	N	G	S	F	C	M	T	B	Weight (g)	
040501	CM32ALIS	32	32,5	45	6,6	11	5,5	9	30	5	22	10	10	26	54	
040502	CM40ALIS	40	38	52	6,6	11	5,5	9	35	5	25	12	12	28	76	
040503	CM50ALIS	50	46,5	65	9	15	6,5	11	40	5	27	12	12	32	-0,2	124
040504	CM63ALIS	63	56,5	75	9	15	6,5	11	45	5	32	16	16	40	-0,6	212
040505	CM80ALIS	80	72	95	11	18	10	14	45	5	36	16	16	50	420	
040506	CM100ALIS	100	89	115	11	18	10	14	55	5	41	20	20	60	666	
040507	CM125ALIS	125	110	140	14	20	10	20	60	7	50	25	25	70	1264	
040508	CM160ALIS	160	140	180	18	26	10	20	65	7	55	30	25	90	-0,5	1846
040509	CM200ALIS	200	175	220	18	26	11	25	75	7	60	30	25	90	-1,2	2950
040510	CM250ALIS	250	220	270	22	33	11	25	90	11	70	40	40	110	6200	

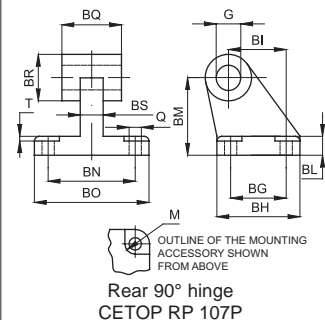
Type: CFS



Code	Item	For cyl. Ø mm	L	T	CM	A	Z	H	B	D ₃	S	G	MR	D ₁	D ₂	TM	TZ	LI	F	Weight (g)
040451	CFS32ALIS	32	45	34	14	32,5	22	5	9	5,5	30	10	10	6,6	11	3	3,3	11,5	17	42
040452	CFS40ALIS	40	52	40	16	38	25	5	9	5,5	35	12	12	6,6	11	4	4,3	12	20	70
040453	CFS50ALIS	50	65	45	21	46,5	27	5	11	6,5	40	16	14	9	15	4	4,3	14	22	112
040454	CFS63ALIS	63	75	51	21	56,5	32	5	11	6,5	45	16	18	9	15	4	4,3	14	25	194
040455	CFS80ALIS	80	95	65	25	72	36	5	14	10	45	20	20	11	18	4	4,3	16	30	382
040456	CFS100ALIS	100	115	75	25	89	41	5	14	10	55	20	22	11	18	4	6,3	16	32	610
040457	CFS125ALIS	125	140	97	37	110	50	7	20	10	60	30	25	14	20	6	6,3	24	42	1100
040458	CFS160ALIS	160	180	122	43	140	55	7	20	10	65	35	30	18	26	6	6,3	26,5	46	2030
040498	CFS200ALIS	200	220	122	43	175	60	7	25	11	75	35	30	18	26	6	6,3	26,5	49	3400

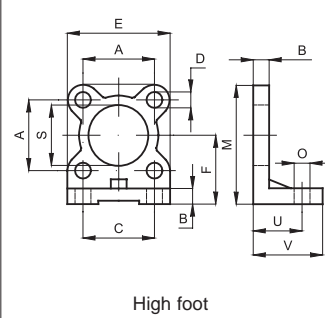
The pin is to be ordered separately: for the pin see page 1.98.3 (SEC..ARAQIS).

Type: ASV



Code	Item	For cyl. Ø mm	Q	M	BG	BH	BI	BL	BM	BN	BO	BS	BR	G	T	BQ	Weight (g)
040388	ASV32ALIS	32	6,6	11	18	31	21	8	32	38	51	10	20	10	1,6	26	56
040389	ASV40ALIS	40	6,6	11	22	35	24	10	36	41	54	15	22	12	1,6	28	139
040390	ASV50ALIS	50	9	15	30	45	33	12	45	50	65	16	26	12	1,6	32	-0,2
040391	ASV63ALIS	63	9	15	35	50	37	14	50	52	67	16	30	16	1,6	40	-0,6
040392	ASV80ALIS	80	11	18	40	60	47	14	63	66	86	20	30	16	2,5	50	312
040393	ASV100ALIS	100	11	18	50	70	55	17	71	76	96	20	38	20	2,5	60	656
040394	ASV125ALIS	125	14	20	60	90	70	20	90	94	124	30	45	25	3,2	70	826
040395	ASV160ALIS	160	14	20	88	126	97	25	115	118	156	36	63	30	4	90	-0,5
040396	ASV200ALIS	200	18	26	90	130	105	30	135	122	162	40	63	30	4	90	-1,2

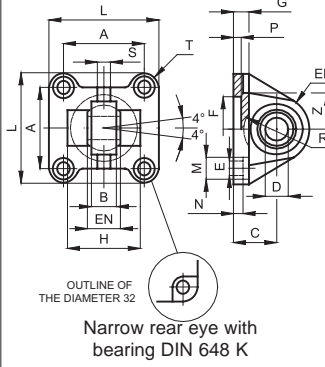
Type: P



Code	Item	For cyl. Ø mm	A	B	C	D	E	F	M	O	S	U	V	Weight (g)
040141	P32ALIS	32	32,5	8	32	7	45	32	54,5	7	30	24	35	46
040142	P40ALIS	40	38	8	36	7	52	36	62	9	35	28	35	66
040143	P50ALIS	50	46,5	10	45	9	65	45	77,5	9	40	32	45	138
040144	P63ALIS	63	56,5	10	50	9	75	50	87,5	9	45	32	45	174
040145	P80ALIS	80	72	12	63	11	95	63	110,5	12	45	41	55	356
040146	P100ALIS	100	89	12	75	11	115	71	128	14	56	41	56	468
040147	P125ALIS	125	110	16	90	14	140	91	161	16	60	45	68	920
040148	P160ALIS	160	140	20	115	18	180	115	205	18	65	60	82	2300
040149	P200ALIS	200	175	20	135	18	220	135	245	22	75	70	90	3200

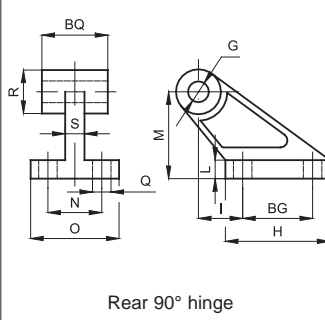
It is supplied singly.

Type: CMS



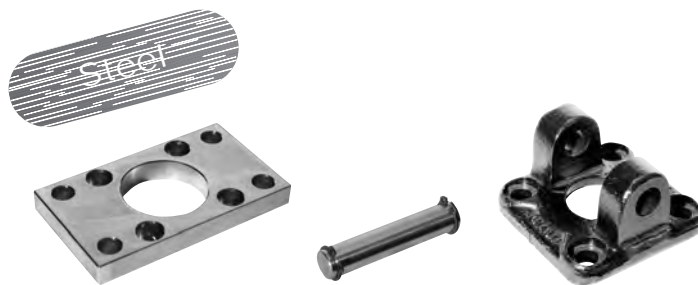
Code	Item	For cyl. Ø mm	A	B	C	D	EN	ER	F	G	E	L	M	N	P	H	R	S	Z	T	Weight (g)
040151	CMS32ALIS	32	32,5	10,5	22	10	14	16	30	9	6,6	45	11	5,5	5	-	-	4	32,5	6,25	62
040152	CMS40ALIS	40	38	12	25	12	16	19	35	9	6,6	52	11	5,5	5	-	-	6	39	7	100
040153	CMS50ALIS	50	46,5	15	27	16	21	21	40	11	9	65	15	6,5	5	51	18	8	47	9,25	180
040154	CMS63ALIS	63	56,5	15	32	16	21	24	45	11	9	75	15	6,5	5	-	-	8	52	9,25	244
040155	CMS80ALIS	80	72	18	36	20	25	28,5	45	14	11	95	18	10	5	72	24	10	67	11,5	476
040156	CMS100ALIS	100	89	18	41	20	25	30	55	14	11	115	18	10	5	-	-	10	77	13	646
040157	CMS125ALIS	125	110	25	50	30	37	40	60	20	13,5	140	20	10	7	-	-	13	98	15	1410
040158	CMS160ALIS	160	140	28	55	35	43	45	65	20	18	180	26	10	7	-	-	14	130	20	2420
040159	CMS200ALIS	200	175	28	60	35	43	48	75	25	18	220	26	11	7	-	-	14	155	22,5	3840
040160	CMS250ALIS	250	220	33	70	40	49	52	90	25	22	270	33	11	11	-	-	19	205	25	5850

Type: AS



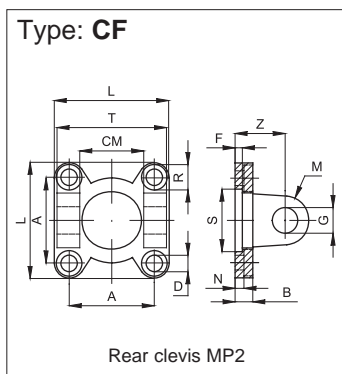
Code	Item	For cyl. Ø mm	Q	BG	H	I	L	M	N	O	S	R	BQ	G	Weight (g)
040361	AS32ALIS	32	7	20	37	18	8	32	25	41	9	19	26	10	54
040362	AS40ALIS	40	9	32	54	25	10	45	32	52	14	25,5	28	12	136
040363	AS50ALIS	50	9	32	54	25	10	45	32	52	14	25,5	32	12	140
040364	AS63ALIS	63	11	50	75	32	12	63	40	63	14	32	40	16	295
040365	AS80ALIS	80	11	50	75	32	12	63	40	63	14	32	50	16	313
040366	AS100ALIS	100	14	70	103	40	17	90	50	80	22	42	60	20	710
040367	AS125ALIS	125	14	70	103	40	17	90	50	80	22	46	70	25	820
040368	AS160ALIS	160	18	110	154	50	20	140	63	110	26	53,5	89	30	1974
040369	AS200ALIS	200	18	110	154	50	20	140	63	110	26	53,5	89	30	1974

Standard executions		
Version	Sym.	Type
Rear clevis		CF..AQIS
Rear eye		CM..AQIS
Rear 90° hinge CETOP RP 107P		ASV..AQIS
Pin with rear clevis MP2 with seeger		SEC..AQIS
Narrow rear clevis		CFS..AQIS
Narrow rear eye with bearing DIN 648K		CMS..AQIS
Rear 90° hinge with bearing DIN 648K		ASS..AQIS
Anti-rotating pin for narrow rear clevis		SEC.. ARAQIS
Flange ISO 6431		FL..AQIS
Flange VDMA		FLV..AQIS
Low foot		PB..AQIS
Round adjustable centre trunnion (tie rod)		CT..AQIS
Centre trunnion (profile barrel)		CTS..AQIS
Round centre trunnion not adjustable (threaded)		CTN..AQIS
Support for centre trunnion (tie rod)		ST..AQIS
Front clevis		CFA..AQIS
Centre trunnion (tie rod) for heads		CTA..AQIS



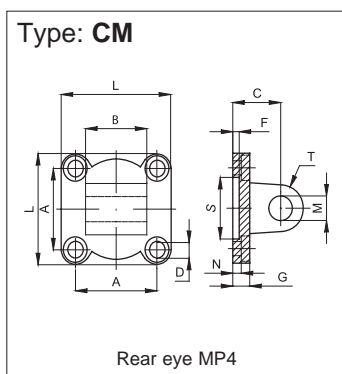
Technical data					
Type	Materials and treatments				
	Steel A105	Steel AVP	Fe 37	Black cataphoresis	White zinking
CF..AQIS	•			•	
CM..AQIS	•			•	
ASV..AQIS	•			•	
SEC..AQIS		•			
CFS..AQIS	•			•	
CMS..AQIS	•			•	
ASS..AQIS	•			•	
SEC..ARAQIS		•			
FL..AQIS			•		•
FLV..AQIS			•		•
PB..AQIS			•		•
CT..AQIS	•				•
CTS..AQIS	•				•
CTN..AQIS			•		•
ST..AQIS				•	•
CFA..AQIS	•			•	
CTA..AQIS	•				•

Note: The mounting screws are to be ordered separately.
For screws see page 1.101.1.



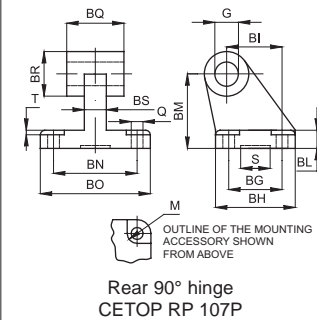
Code	Item	For cyl. Ø mm	A	L	D	R	N	B	S	F	Z	G	M	CM	T	Weight (g)
040461	CF32AQIS	32	32,5	45	6,6	11	5,5	10	30	5	22	10	10	26	45	138
040462	CF40AQIS	40	38	55	6,6	11	5,5	10	35	5	25	12	12	28	52	230
040463	CF50AQIS	50	46,5	65	9	15	6,5	10	40	5	27	12	12	32	60	338
040464	CF63AQIS	63	56,5	75	9	15	6,5	12	45	5	32	16	16	40	70	540
040465	CF80AQIS	80	72	95	11	18	10	14	45	-	36	16	16	50	90	1000
040466	CF100AQIS	100	89	115	11	18	10	16	55	-	41	20	20	60	110	1700
040467	CF125AQIS	125	110	140	13,5	20	10	20	60	-	50	25	25	70	130	3350
040468	CF160AQIS	160	140	180	18	26	10	20	65	7	55	30	25	90	170	5750
040469	CF200AQIS	200	175	220	18	26	11	20	75	7	60	30	25	90	170	8900

The pin is to be ordered separately: for the pin see page 1.98.2 (SEC..AQIS)



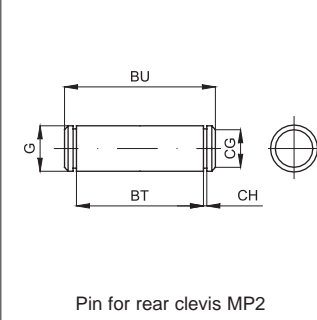
Code	Item	For cyl. Ø mm	A	L	D	R	N	G	S	F	C	M	T	B	Weight (g)
040521	CM32AQIS	32	32,5	45	6,6	11	5,5	10	30	5	22	10	10	26	176
040522	CM40AQIS	40	38	55	6,6	11	5,5	10	35	5	25	12	12	28	274
040523	CM50AQIS	50	46,5	65	9	15	6,5	10	40	5	27	12	12	32	-0,2 368
040524	CM63AQIS	63	56,5	75	9	15	6,5	12	45	5	32	16	16	40	-0,6 682
040525	CM80AQIS	80	72	95	11	18	10	14	45	5	36	16	16	50	1196
040526	CM100AQIS	100	89	115	11	18	10	16	55	5	41	20	20	60	2100
040527	CM125AQIS	125	110	140	13,5	20	10	20	60	7	50	25	25	70	3740
040528	CM160AQIS	160	140	180	18	26	10	20	65	7	55	30	25	90	-0,5 5890
040529	CM200AQIS	200	175	220	18	26	11	20	75	7	60	30	25	90	-1,2 8470

Type: ASV



Code	Item	For cyl. Ø mm	Q	M	BG	BH	BI	BL	BM	BN	BO	BS	BR	BQ	G	T	S	Weight (g)
040381	ASV32AQIS	32	6,6	11	18	31	21	8	32	38	51	10	20	26	10	1,6	20	158
040382	ASV40AQIS	40	6,6	11	22	35	24	10	36	41	54	10	22	28	12	1,6	20	238
040383	ASV50AQIS	50	9	15	30	45	33	12	45	50	65	14	26	32	12	1,6	20	418
040384	ASV63AQIS	63	9	15	35	50	37	14	50	52	67	14	30	40	16	1,6	20	526
040385	ASV80AQIS	80	11	18	40	60	47	14	63	66	86	18	30	50	16	2,5	20	1055
040386	ASV100AQIS	100	11	18	50	70	55	17	71	76	96	20	38	60	20	2,5	20	1360
040387	ASV125AQIS	125	14	20	60	90	70	20	90	94	124	30	45	70	25	3,2	-	-

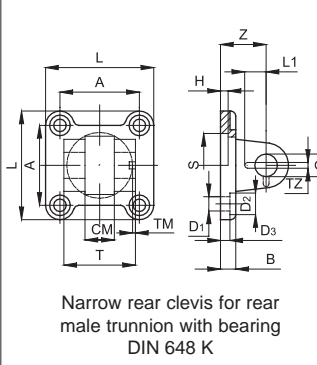
Type: SEC



Code	Item	For cyl. Ø mm	G	BT	CG	CH	BU	Weight (g)
040261	SEC32AQIS	32	10	46	9,6	1,1	53	32
040262	SEC40AQIS	40	12	53	11,5	1,1	60	52
040263	SEC50AQIS	50	12	61	11,5	1,1	68	60
040264	SEC63AQIS	63	16	71	15,2	1,1	78	122
040265	SEC80AQIS	80	16	91	15,2	1,1	98	152
040266	SEC100AQIS	100	20	111	19	1,3	118	290
040267	SEC125AQIS	125	25	132	23,9	1,3	139	530
040268	SEC160AQIS	160	30	171,5	28,6	1,6	178	978
040269	SEC200AQIS	200	30	171,5	28,6	1,6	178	978
040270	SEC250AQIS	250	40	202	37,5	1,6	211	2100

It is supplied with 2 seegers included.

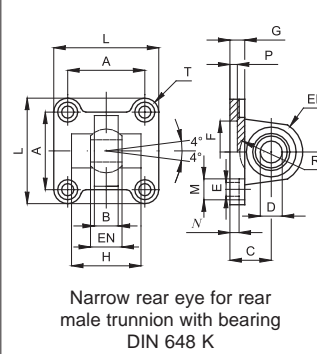
Type: CFS



Code	Item	For cyl. Ø mm	L	T	CM	A	Z	H	B	D ₃	S	G	D ₁	D ₂	TA	TZ	LI	Weight (g)
040491	CFS32AQIS	32	45	34	14	32,5	22	5	10	5,5	30	10	6,6	11	3	3,3	11,5	140
040492	CFS40AQIS	40	55	40	16	38	25	5	10	5,5	35	12	6,6	11	4	4,3	12	230
040493	CFS50AQIS	50	65	45	21	46,5	27	5	10	6,5	40	16	9	15	4	4,3	14	336
040494	CFS63AQIS	63	75	51	21	56,5	32	5	12	6,5	45	16	9	15	4	4,3	14	546
040495	CFS80AQIS	80	95	65	25	72	36	5	16	10	45	20	11	18	4	4,3	16	1190
040496	CFS100AQIS	100	115	75	25	89	41	5	16	10	55	20	11	18	4	6,3	16	1840
040497	CFS125AQIS	125	140	97	37	110	50	7	20	10	60	30	13,5	20	6	6,3	24	3550

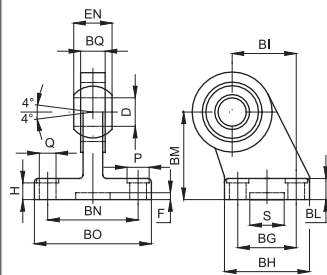
The pin is to be ordered separately: for pins see page 1.98.3 (SEC..ARAQIS).

Type: CMS



Code	Item	For cyl. Ø mm	A	B	C	D	EN	ER	F	G	E	L	M	N	P	H	R	Weight (g)
040531	CMS32AQIS	32	32,5	10,5	22	10	14	15	30	10	6,6	45	10,5	5,5	5	-	-	152
040532	CMS40AQIS	40	38	12	25	12	16	18	35	10	6,6	55	11	5,5	5	-	-	256
040533	CMS50AQIS	50	46,5	15	27	16	21	20	40	10	9	65	15	6,5	5	51	19	364
040534	CMS63AQIS	63	56,5	15	32	16	21	23	45	12	9	75	15	6,5	5	-	-	595
040535	CMS80AQIS	80	72	18	36	20	25	27	45	14	11	95	18	10	5	-	-	1122
040536	CMS100AQIS	100	89	18	41	20	25	30	55	16	11	115	18	10	5	-	-	1786
040537	CMS125AQIS	125	110	26	50	30	37	40	60	20	13,5	140	20	10	7	-	-	3500

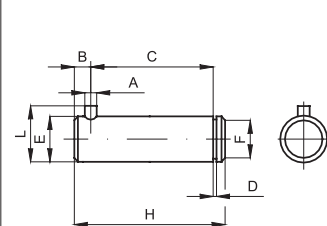
Type: ASS



Rear 90° hinge with bearing
DIN 648 K

Code	Item	For cyl. Ø mm	Q	M	BG	BH	BI	BL	BM	BN	BO	EN	ER	BQ	D	H	S	F	Weight (g)
040551	ASS32AQIS	32	6,6	11	18	31	21	10	32	38	51	14	15	10,5	10	8,5	20	3	178
040552	ASS40AQIS	40	6,6	11	22	35	24	10	36	41	54	16	18	12	12	8,5	20	3	268
040553	ASS50AQIS	50	9	15	30	45	33	12	45	50	65	21	20	15	16	10,5	20	3	458
040554	ASS63AQIS	63	9	15	35	50	37	12	50	52	67	21	23	15	16	10,5	20	3	550
040555	ASS80AQIS	80	11	18	40	60	47	14	63	66	86	25	27	18	20	11,5	20	3	970
040556	ASS100AQIS	100	11	18	50	70	55	15	71	76	96	25	30	18	20	12,5	20	3	1326
040557	ASS125AQIS	125	13,5	20	60	90	70	20	90	94	124	37	40	25	30	17	20	3	3000

Type: SEC - AR

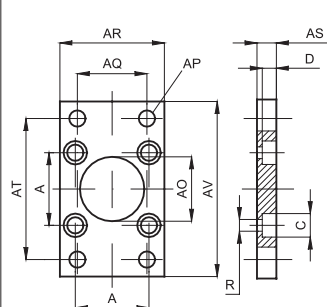


Anti-rotating pin for narrow
rear clevis

Code	Item	For cyl. Ø mm	A	C	D	E	F	G	H	L	B	Weight (g)	
040571	SEC32ARAQIS	32	3	32,5	1,1	10	9,6	4	41	14	4,5	0 -1	26
040572	SEC40ARAQIS	40	4	38	1,1	12	11,5	4	48	16	6		42
040573	SEC50ARAQIS	50	4	43	1,1	16	15,2	5	54	20	6		84
040574	SEC63ARAQIS	63	4	49	1,1	16	15,2	5	60	20	6		94
040575	SEC80ARAQIS	80	4	63	1,3	20	19	6	75	24	6	184	
040576	SEC100ARAQIS	100	4	73	1,3	20	19	6	85	24	6	208	
040577	SEC125ARAQIS	125	6	94	1,6	30	28,6	7	110	36	9	0	606
040578	SEC160ARAQIS	160	6	119	1,6	35	33	7	135	41	9	-2	972
040579	SEC200ARAQIS	200	6	119	1,6	35	33	7	135	41	9		972

It is supplied with 1 seeger included.

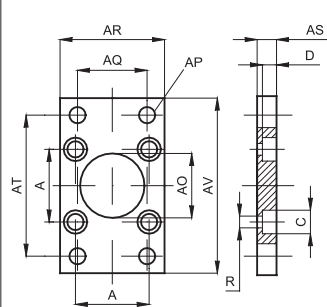
Type: FL



Flange ISO MF1 / MF2

Code	Item	For cyl. Ø mm	A	AP Ø	AO	R	AS	AR	AQ	AT	AV	C	D	Weight (g)
040661	FL32AQIS	32	32,5	7	30	6,5	10	45	32	64	80	10,5	6,5	190
040662	FL40AQIS	40	38	9	35	6,5	10	52	36	72	90	10,5	6,5	246
040663	FL50AQIS	50	46,5	9	40	8,5	12	65	45	90	110	13,5	8,5	478
040664	FL63AQIS	63	56,5	9	45	8,5	12	75	50	100	120	13,5	8,5	622
040665	FL80AQIS	80	72	12	45	10,5	16	95	63	126	150	16,5	10,5	1430
040666	FL100AQIS	100	89	14	55	10,5	16	115	75	150	170	16,5	10,5	1986
040667	FL125AQIS	125	110	16	60	13,5	20	140	90	180	205	20	12,5	3750
040668	FL160AQIS	160	140	18	65	17	20	180	115	230	260	25	16,5	6350
040669	FL200AQIS	200	175	22	75	17	25	220	135	270	300	25	16,5	11350
040670	FL250AQIS	250	220	26	90	22,5	25	280	165	330	390	33	20	20100

Type: FLV

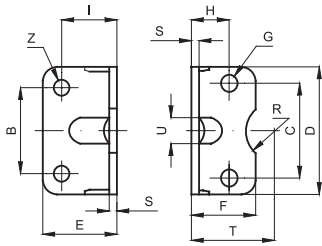


Flange VDMA MF1 / MF2

Code	Item	For cyl. Ø mm	A	AP Ø	AO	R	AS	AR	AQ	AT	AV	C	D	Weight (g)
040671	FLV32AQIS	32	32,5	7	30	6,5	10	45	32	64	80	10,5	5	192
040672	FLV40AQIS	40	38	9	35	6,5	10	52	36	72	90	11	5	250
040673	FLV50AQIS	50	46,5	9	40	9	12	65	45	90	110	15	5,5	480
040674	FLV63AQIS	63	56,5	9	45	9	12	75	50	100	120	15	5,5	620
040675	FLV80AQIS	80	72	12	45	11	16	95	63	126	150	18	8	1415
040676	FLV100AQIS	100	89	14	55	11	16	115	75	150	170	18	8	1985
040677	FLV125AQIS	125	110	16	60	13,5	20	140	90	180	205	20	9,5	3750
040678	FLV160AQIS	160	140	18	65	18	20	180	115	230	260	26	10,5	6350
040679	FLV200AQIS	200	175	22	75	18	25	220	135	270	300	26	12,5	11300

Lowered head screws type VBTR (see page 1.101.1) must be used with this mounting accessory.

Type: PB

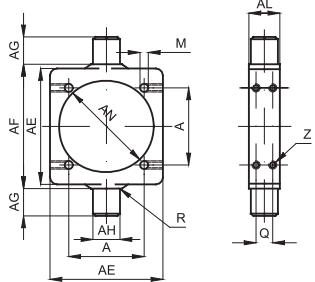


Low foot MS1

It is supplied singly.

Code	Item	For cyl. Ø mm	C	B	D	E	F	G	H	I	S	T	R	U	Z	Weight (g)
040201	PB32AQIS	32	32,5	32	45	35	30	7	15,75	24	4	32	15	11	7	66
040202	PB40AQIS	40	38	36	52	36	30	7	17	28	4	36	17,5	15	9	78
040203	PB50AQIS	50	46,5	45	65	47	36	9	21,75	32	5	45	20	16	9	168
040204	PB63AQIS	63	56,5	50	75	45	35	9	21,75	32	5	50	22,5	18	9	190
040205	PB80AQIS	80	72	63	95	55	47	11	27	41	6	63	22,5	17	12	382
040206	PB100AQIS	100	89	75	115	57	53	11	26,5	41	6	71	27,5	24	14	452
040207	PB125AQIS	125	110	90	140	70	70	14	35	45	8	90	30	-	16	1090
040208	PB160AQIS	160	140	115	180	75	100	18	45	60	9	115	32,5	-	18	1188
040209	PB200AQIS	200	175	135	220	100	100	18	47,5	70	12	135	37,5	-	22	3450

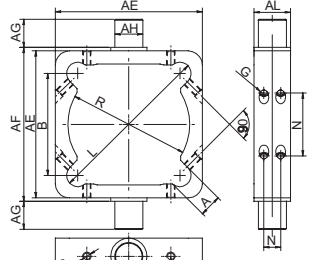
Type: CT



Round adjustable centre trunnion (tie rod) MT4

Code	Item	For cyl. Ø mm	A	AE	AL	AH e9	AG h14	AF h14	AN	R	M	Q	Z	Weight (g)
040581	CT32AQIS	32	32,5	46	15	12	12	50	37	1	6,25	7	M5	110
040582	CT40AQIS	40	38	59	20	16	16	63	46	1,5	6,25	8	M5	290
040583	CT50AQIS	50	46,5	69	20	16	16	75	56	1,6	8,25	8	M6	330
040584	CT63AQIS	63	56,5	84	25	20	20	90	69	1,6	8,25	12	M6	650
040585	CT80AQIS	80	72	102	25	20	20	110	87	1,6	10,25	12	M8	830
040586	CT100AQIS	100	89	125	30	25	25	132	107	2	10,25	15	M8	1560
040587	CT125AQIS	125	110	155	32	25	25	160	133	2	12,25	15	M10	2450
040588	CT160AQIS	160	140	190	40	32	32	200	170	2,5	16,25	18	M12	4150
040589	CT200AQIS	200	175	240	40	32	32	250	211	2,5	16,25	18	M12	7300

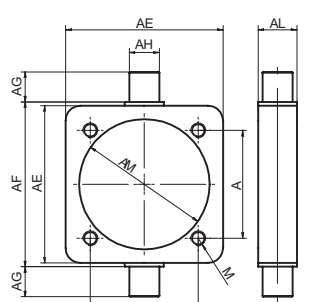
Type: CTS



Centre trunnion (profile barrel) MT4 for cylinders AMA

Code	Item	For cyl. Ø mm	B	AE	AL	AH e9	AG h14	AF h14	R	L	G	A	M	N	O	Weight (g)
040601	CTS32AQIS	32	33	48,5	18	12	12	50	37	57	M5	11	15,5	7	/	104
040602	CTS40AQIS	40	38	59	20	16	16	63	46	64	M6	11	20	8	/	234
040603	CTS50AQIS	50	48	71	20	16	16	75	56	82	M6	14	22,5	8	/	300
040604	CTS63AQIS	63	58	84	26	20	20	90	69	96	M6	14	30	12	/	577
040605	CTS80AQIS	80	73	105	26	20	20	110	87	119	M6	16	45	12	58	858
040606	CTS100AQIS	100	91	129	32	25	25	132	107	144,5	M8	17	60	15	74	1565
040607	CTS125AQIS	125	116	154	33	25	25	160	133	181	M8	18	85,5	15	104	1932

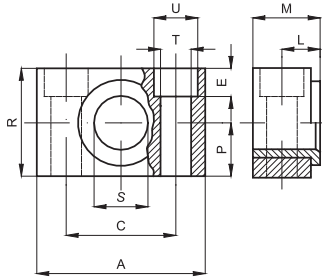
Type: CTN



Round centre trunnion not adjustable (threaded) MT4

Code	Item	For cyl. Ø mm	A	AE	AL	AH e9	AG h14	AF h14	AN	M	Weight (g)
040052	CTN32AQIS	32	32,5	46	15	12	12	50	37	M6	110
040053	CTN40AQIS	40	38	59	20	16	16	63	46	M6	290
048590	CTN50AQIS	50	46,5	69	20	16	16	75	56	M8	330
040564	CTN63AQIS	63	56,5	84	25	20	20	90	69	M8	650
040096	CTN80AQIS	80	72	102	25	20	20	110	87	M10	830
040097	CTN100AQIS	100	89	125	30	25	25	132	107	M10	1560
040098	CTN125AQIS	125	110	155	32	25	25	160	133	M12	2450
040099	CTN160AQIS	160	140	190	40	32	32	200	170	M16	4150
040100	CTN200AQIS	200	175	240	40	32	32	250	211	M16	7300
040110	CTN250AQIS	250	220	296	50	40	40	320	268	M20	13050
040590	CTN320AQIS	320	270	370	60	50	50	400	343	M24	-

Type: ST

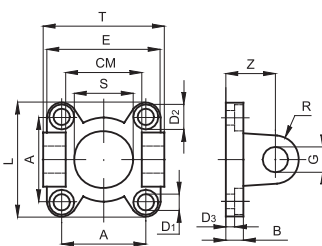


Support for centre trunnion (tie rod)

It is supplied singly.

Code	Item	For cyl. Ø mm	A	M	R	P	C	S	L	U	T	E	Weight (g)
040681	ST32AQIS	32	46	18	30	15	32	12	10,5	11	6,6	7	100
040682	ST40-50AQIS	40-50	55	21	36	18	36	16	12	15	9	9	150
040684	ST63-80AQIS	63-80	65	23	40	20	42	20	13	18	11	11	234
040686	ST100-125AQIS	100-125	75	28,5	50	25	50	25	16	20	14	13	435
040688	ST160-200AQIS	160-200	92	40	60	30	60	32	22,5	26	18	17	850

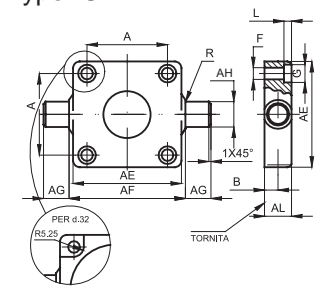
Type: CFA



Front clevis MP7

Code	Item	For cyl. Ø mm	A	E	D ₁	D ₂	D ₃	B	S	Z	G	R	CM	T	Weight (g)
040611	CFA32AQIS	32	32,5	45	6,5	10,5	8	10	30	22	10	10	32	50	125
040612	CFA40AQIS	40	38	55	6,5	10,5	8	10	35	25	12	12	37	58	214
040613	CFA50AQIS	50	46,5	65	8,5	13,5	8	10	40	27	12	12	42	70	298
040614	CFA63AQIS	63	56,5	75	8,5	13,5	10	12	45	32	16	16	47	75	518

Type: CTA



Centre trunnion (tie rod) for heads

Code	Item	For cyl. Ø mm	AE	AL	AH	AG	AF	AN	A	B	F	G	L	R	Weight (g)
040591	CTA32AQIS	32	46	14	12	12	50	30	32,5	6,5	6,5	-	6	1	137
040592	CTA40AQIS	40	59	19	16	16	63	35	38	9	6,5	10,5	6	1,6	385
040593	CTA50AQIS	50	69	19	16	16	75	40	46,5	9	8,5	13,5	8	1,6	513
040594	CTA63AQIS	63	84	24	20	20	90	45	56,5	11,5	8,5	13,5	8	1,6	1041
040595	CTA80AQIS	80	102	24	20	20	110	45	72	11,5	10,5	16,5	10	1,6	1567
040596	CTA100AQIS	100	125	29	25	25	132	55	89	14	10,5	16,5	10	2	3000

Type: CF



Female rear clevis

Code	Item	Kit composed by
042050	CF+S+V32ALIS	1xCF32ALIS (040441) + 1xPIN (040261) + 4xSCREWS (040771)
042051	CF+S+V40ALIS	1xCF40ALIS (040442) + 1xPIN (040262) + 4xSCREWS (040771)
042052	CF+S+V50ALIS	1xCF50ALIS (040443) + 1xPIN (040263) + 4xSCREWS (040772)
042053	CF+S+V63ALIS	1xCF63ALIS (040444) + 1xPIN (040264) + 4xSCREWS (040772)
042054	CF+S+V80ALIS	1xCF80ALIS (040445) + 1xPIN (040265) + 4xSCREWS (040773)
042055	CF+S+V100ALIS	1xCF100ALIS (040446) + 1xPIN (040266) + 4xSCREWS (040773)
042056	CF+S+V125ALIS	1xCF125ALIS (040447) + 1xPIN (040267) + 4xSCREWS (040694)

Material: Body die-cast aluminium, pin and screws in steel.

Type: CM



Male rear clevis

Code	Item	Kit composed by
042061	CM+V32ALIS	1xCM32ALIS (040501) + 4xSCREWS (040771)
042062	CM+V40ALIS	1xCM40ALIS (040502) + 4xSCREWS (040771)
042063	CM+V50ALIS	1xCM50ALIS (040503) + 4xSCREWS (040772)
042064	CM+V63ALIS	1xCM63ALIS (040504) + 4xSCREWS (040772)
042065	CM+V80ALIS	1xCM80ALIS (040505) + 4xSCREWS (040773)
042066	CM+V100ALIS	1xCM100ALIS (040506) + 4xSCREWS (040773)

Material: Body die-cast aluminium, screws in steel.

Type: ASV



Rear 90° hinge

Code	Item	Kit composed by
042081	ASV+V32ALIS	1xASV32ALIS (040388) + 4xSCREWS (040771)
042082	ASV+V40ALIS	1xASV40ALIS (040389) + 4xSCREWS (040771)
042083	ASV+V50ALIS	1xASV50ALIS (040390) + 4xSCREWS (040772)
042084	ASV+V63ALIS	1xASV63ALIS (040391) + 4xSCREWS (040772)
042085	ASV+V80ALIS	1xASV80ALIS (040392) + 4xSCREWS (040773)
042086	ASV+V100ALIS	1xASV100ALIS (040393) + 4xSCREWS (040773)
042087	ASV+V125ALIS	1xASV125ALIS (040394) + 4xSCREWS (040774)

Material: Body die-cast aluminium, screws in steel.

Type: FL



Flange ISO

Code	Item	Kit composed by
042119	FL+V32ALIS	1xFL32AQIS (040661) + 4xSCREWS (040771)
042120	FL+V40ALIS	1xFL40AQIS (040662) + 4xSCREWS (040771)
042121	FL+V50ALIS	1xFL50AQIS (040663) + 4xSCREWS (040772)
042122	FL+V63ALIS	1xFL63AQIS (040664) + 4xSCREWS (040772)
042123	FL+V80ALIS	1xFL80AQIS (040665) + 4xSCREWS (040773)
042124	FL+V100ALIS	1xFL100AQIS (040666) + 4xSCREWS (040773)

Material: Body and screws in steel.

Type: PB



Low foot

Code	Item	Kit composed by
042129	PB+V32AQIS	2xPB32AQIS (040201) + 4xSCREWS (040771)
042130	PB+V40AQIS	2xPB40AQIS (040202) + 4xSCREWS (040771)
042131	PB+V50AQIS	2xPB50AQIS (040203) + 4xSCREWS (040772)
042132	PB+V63AQIS	2xPB63AQIS (040204) + 4xSCREWS (040772)
042133	PB+V80AQIS	2xPB80AQIS (040205) + 4xSCREWS (040773)
042134	PB+V100AQIS	2xPB100AQIS (040206) + 4xSCREWS (040773)
042135	PB+V125AQIS	2xPB125AQIS (040207) + 4xSCREWS (040774)

Material: Body and screws in steel.

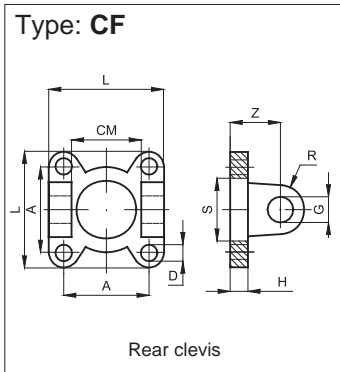
Standard executions		
Version	Sym.	Type
Rear clevis		CF..ALCN
Rear standard hinge		AN..ALCN
Rear 90° hinge		AS..ALCN
High foot		P..ALCN
Wide high foot		PL..ALCN

Aluminium



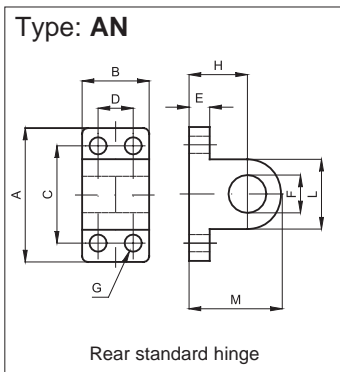
Technical data	
Material	Die-cast aluminium
Treatment	Sifting

Note: The mounting screws are to be ordered separately.
For screws see page 1.101.1.

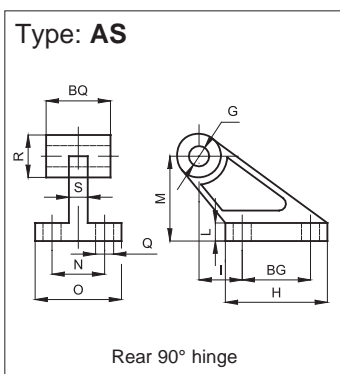


Code	Item	For cyl. Ø mm	A	L	D	H	CM	S	R	Z	G	Weight (g)
040401	CF32ALCN	32	33	45	7	8	26	25	8	18	8	38
040402	CF40ALCN	40	40	52	7	8	33	32	12	24	12	58
040403	CF50ALCN	50	49	65	9	10	33	32	12	26	12	118
040404	CF63ALCN	63	59	75	9	10	47	45	16	30	16	146
040405	CF80ALCN	80	75	95	11	12	47	45	16	32	16	324
040406	CF100ALCN	100	90	115	11	12	57	55	20	37	20	492
040407	CF125ALCN	125	110	140	14	16	57	55	21	41	20	978
040408	CF160ALCN	160	140	180	18	20	72	65	25	55	25	1872
040409	CF200ALCN	200	175	220	18	20	72	65	25	55	25	2800

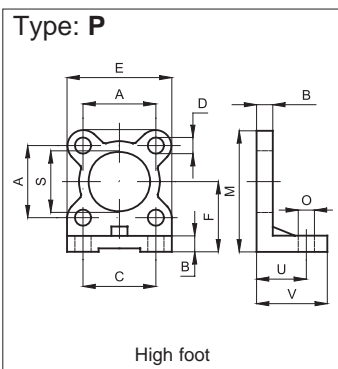
The pin is to be ordered separately: for the pin see page 1.99.50 (SEC..AQC�)



Code	Item	For cyl. Ø mm	A	B	C	D	E	F	G	H	L	M	Weight (g)
040281	AN32ALCN	32	40	25	28	-	8	8	7	18	16	26	26
040282	AN40-50ALCN	40-50	52	32	38	16	10	12	9	26	24	38	56
040284	AN63-80ALCN	63-80	75	46	54	25	12	16	11	34	36	52	176
040286	AN100-125ALCN	100-125	115	56	90	32	16	20	14	41	40	61	376
040288	AN160-200ALCN	160-200	180	71	150	43	20	25	18	55	50	80	924

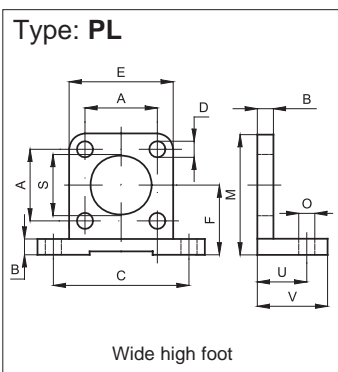


Code	Item	For cyl. Ø mm	Q	BG	H	I	L	M	N	O	S	R	BQ	G	Weight (g)
040321	AS32ALCN	32	7	20	37	18	8	32	25	41	9	19,5	25	8	58
040322	AS40-50ALCN	40-50	9	32	54	25	10	45	32	52	14	26	32	12	144
040324	AS63-80ALCN	63-80	11	50	75	32	13	63	40	63	14	32	46	16	300
040326	AS100-125ALCN	100-125	14	70	103	40	17	90	50	80	22	42	56	20	694
040328	AS160-200ALCN	160-200	18	110	154	50	20	140	63	111	26	54	70	25	1922



It is supplied singly.

Code	Item	For cyl. Ø mm	A	B	C	D	E	F	M	O	S	U	V	Weight (g)
040101	P32ALCN	32	33	8	28	7	45	32	54	9	25	27	35	54
040102	P40ALCN	40	40	8	36	7	52	36	62	9	32	27	35	70
040103	P50ALCN	50	49	10	45	9	65	45	77	11	32	35	45	150
040104	P63ALCN	63	59	10	55	9	75	50	87	11	45	35	45	170
040105	P80ALCN	80	75	12	70	11	95	63	110	14	45	43	55	354
040106	P100ALCN	100	90	12	90	11	115	73	130	14	55	43	55	470
040107	P125ALCN	125	110	16	110	14	140	91	161	18	55	52	68	918
040108	P160ALCN	160	140	20	130	18	180	115	205	22	65	62	82	2300
040109	P200ALCN	200	175	20	170	18	220	135	245	22	65	62	92	3450



It is supplied singly.

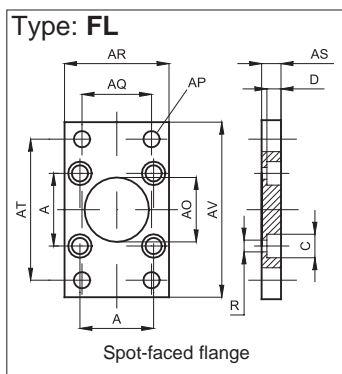
Code	Item	For cyl. Ø mm	A	B	C	D	E	F	M	O	S	U	V	Z	Weight (g)
040301	PL32ALCN	32	33	8	65	7	46	32	54	9	25	18	35	82	76
040302	PL40ALCN	40	40	8	72	7	52	36	62	9	32	18	35	90	90
040303	PL50ALCN	50	49	10	90	9	65	45	77	11	32	22	45	110	188
040304	PL63ALCN	63	59	10	100	9	75	50	87	11	45	22	45	120	206
040305	PL80ALCN	80	75	12	126	11	95	63	110	14	45	28	55	154	410
040306	PL100ALCN	100	90	12	148	11	115	73	130	14	55	28	55	180	576
040307	PL125ALCN	125	110	16	180	14	140	91	161	18	55	32	67,5	215	1058
040308	PL160ALCN	160	140	20	230	18	180	115	206	22	65	40	80	275	2350
040309	PL200ALCN	200	175	20	270	18	220	135	246	22	65	40	80	318	3100

Standard executions		
Version	Sym.	Type
Flange		FL..AQC�
Low foot		PB..AQC�
Pin for rear clevis with seeger		SEC..AQC�
Round center trunnion not adjustable (threaded). On request available adjustable with screws.		CT..AQC�

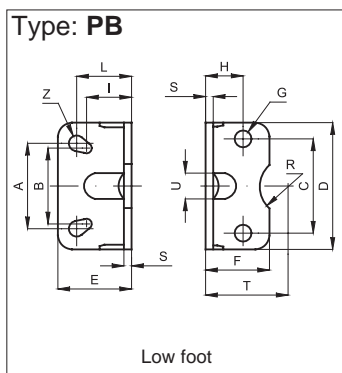


Technical data				
Type	Materials and treatments			
	Steel A105	Steel AVP	Fe 37	White zinking
FL..AQC�			•	
PB..AQC�			•	
SEC..AQC�		•		
CT..AQC�	•			
CTS..AQIS	•			

Note: The mounting screws are to be ordered separately.
For screws see page 1.101.1.

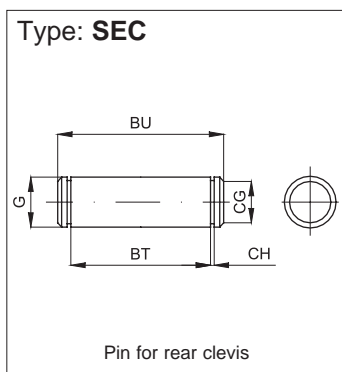


Code	Item	For cyl. Ø mm	A	AP	AO	R	AS	AR	AQ	AT	AV	C	D	Weight (g)
040621	FL32AQC�	32	33	9	25	6,5	8	45	33	69	80	10,5	6	158
040622	FL40AQC�	40	40	9	32	6,5	8	52	40	78	90	10,5	6	206
040623	FL50AQC�	50	49	11	32	9	10	65	49	94	110	13,5	8	424
040624	FL63AQC�	63	59	11	45	9	10	75	59	104	120	13,5	8	504
040625	FL80AQC�	80	75	14	45	10,5	12	95	75	130	150	16,5	10	1046
040626	FL100AQC�	100	90	14	55	10,5	12	115	90	150	170	16,5	10	1480
040627	FL125AQC�	125	110	18	55	13,5	16	140	110	180	205	19	12,5	3000
040628	FL160AQC�	160	140	22	65	16,5	20	180	140	228	260	24,5	16,5	6300
040629	FL200AQC�	200	175	22	65	16,5	20	220	175	268	300	24,5	16,5	9300



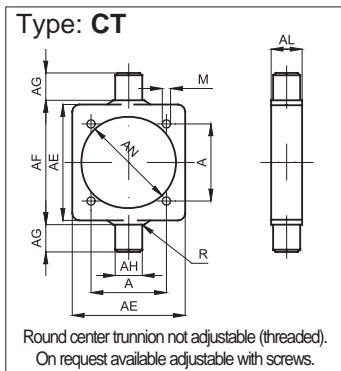
Code	Item	For cyl. Ø mm	A	B	C	D	E	F	G	H	I	L	M	N	R	S	T	U	Weight (g)
040161	PB32AQC�	32	28	32	33	45	35	30	7	15,5	22	27	4,5	3,5	12,5	4	32	11	66
040162	PB40AQC�	40	36	36	40	52	36	30	7	16	26	27	4,5	4,5	16	4	36	15	78
040163	PB50AQC�	50	45	45	49	65	45	36	9	20,5	30	35	5,5	4,5	22,5	5	50	18	168
040164	PB63AQC�	63	55	50	59	75	45	35	9	20,5	30	35	5,5	4,5	22,5	5	50	18	190
040165	PB80AQC�	80	70	63	75	95	55	45	11	25,5	37	43	7	5,5	22,5	6	63	17	382
040166	PB100AQC�	100	90	75	90	115	56	44	11	27	37,5	43	7	6,5	27,5	6	73	24	452
040167	PB125AQC�	125	100	-	110	140	70	70	14	36	-	52	9	-	27,5	8	91	-	1090
040168	PB160AQC�	160	130	-	140	180	75	100	18	45	-	62	11	-	32,5	10	115	-	1180
040169	PB200AQC�	200	170	-	175	220	100	100	18	47	-	62	11	-	32,5	12	135	-	3450

It is supplied singly.



Code	Item	For cyl. Ø mm	G	BT	CG	CH	BU	Weight (g)
040221	SEC32AQC�	32	8	46	7,6	1,1	53	21
040222	SEC40AQC�	40	12	53	11,5	1,1	60	52
040223	SEC50AQC�	50	12	66	11,5	1,1	73	64
040224	SEC63AQC�	63	16	76	15,2	1,1	83	130
040225	SEC80AQC�	80	16	96	15,2	1,1	103	160
040226	SEC100AQC�	100	20	117	19	1,3	124	304
040227	SEC125AQC�	125	20	142	19	1,3	149	364
040228	SEC160AQC�	160	25	182	23,9	1,3	189	720
040229	SEC200AQC�	200	25	222	23,9	1,3	229	872

It is supplied with 3 seegers included.



Code	Item	For cyl. Ø mm	A	AE	AL	AH	AG	AF	AN	R	M	Weight (g)
040541	CT32AQC�	32	33	46	15	12	12	50	37	1	M6	130
040542	CT40AQC�	40	40	59	20	16	16	63	46	1,5	M6	306
040543	CT50AQC�	50	49	69	20	16	16	73	56	1,6	M8	370
040544	CT63AQC�	63	59	84	25	20	20	90	69	1,6	M8	702
040545	CT80AQC�	80	75	102	25	20	20	108	87	1,6	M10	894
040546	CT100AQC�	100	90	125	30	25	25	131	107	2	M10	1590
040547	CT125AQC�	125	110	155	32	25	25	160	133,5	2	M12	2600
040548	CT160AQC�	160	140	190	40	32	32	200	171	2,5	M16	4300
040549	CT200AQC�	200	175	240	40	32	32	250	211	2,5	M16	7450

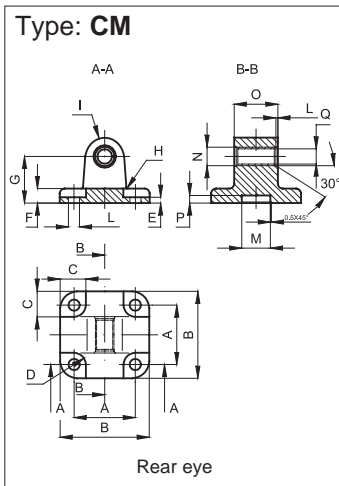
Standard executions		
Version	Sym.	Type
Rear eye		CM..ALUN
Rear clevis		CF..ALUN
Flange		FL..ALUN

Aluminium

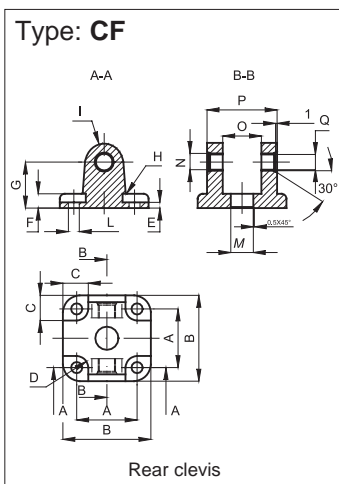


Technical data	
Material	Die-cast aluminium
Treatment	Sifting

Note: The mounting screws are to be ordered separately.
For screws see page 1.101.1.



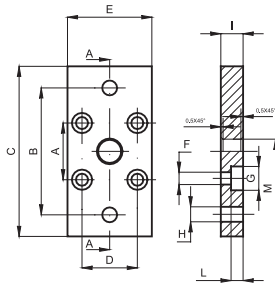
Code	Item	For cyl. Ø mm	A	B	C	D	E	F	G	H	I	L	M	N	O	P	Q	Weight (g)
040701	CM12-16ALUN	12-16	18	27	8,5	4,5	2,6	6	16	2	6	4,5	10	8	12	3	6	17
040702	CM20ALUN	20	22	34	11	5	2,6	6	20	2	8	5,5	12	10	16	3	8	21
040703	CM25ALUN	25	26	38	11	5	2,6	6	20	2	8	5,5	12	10	16	3	8	27



Code	Item	For cyl. Ø mm	A	B	C	D	E	F	G	H	I	L	M	N	O	P	Q	Weight (g)
040711	CF32ALUN	32	32	48	13,5	5,5	5,5	9	22	2,5	10	6,6	14	12	26	45	10	60
040712	CF40ALUN	40	42	58	13,5	5,5	5,5	9	25	2,5	12,5	6,6	14	14	28	52	12	104
040713	CF50ALUN	50	50	66	15,5	7,5	6,5	11	27	2,5	12,5	9	18	14	32	60	12	142
040714	CF63ALUN	63	62	83	18	7,5	6,5	11	32	4	15	9	18	18	40	70	16	240
040715	CF80ALUN	80	82	102	19	9	10	13	36	4	15	11	23	18	50	90	16	420
040716	CF100ALUN	100	103	123	19	9	10	15	41	4	20	11	28	23	60	110	20	721

The pin is to be ordered separately: for the pin see page 1.98.2 (SEC..AQIS).

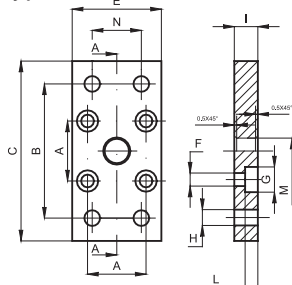
Type: FL



Flange Ø 12 ÷ 25 mm.

Code	Item	For cyl. Ø mm	A	B	C	D	E	F	G	H	I	L	M	Weight (g)
040721	FL12-16ALUN	12-16	18	43	55	18	29	4,5	9	5,5	10	5,4	10	34
040722	FL20ALUN	20	22	55	70	22	36	5,5	10	6,6	10	5,4	12	55
040723	FL25ALUN	25	26	60	76	26	40	5,5	10	6,6	10	5,4	12	68

Type: FL



Flange Ø 32 ÷ 100 mm.

Code	Item	For cyl. Ø mm	A	B	C	D	E	F	G	H	I	L	M	N	Weight (g)
040724	FL32ALUN	32	32	65	80	32	50	6,6	11	7	10	6,4	14	32	88
040725	FL40ALUN	40	42	82	102	42	60	6,6	11	9	10	6,4	14	36	143
040726	FL50ALUN	50	50	90	110	50	68	9	15	9	12	8,6	18	45	204
040727	FL63ALUN	63	62	110	130	62	87	9	15	9	15	8,6	18	50	411
040728	FL80ALUN	80	82	135	160	82	107	11	18	12	15	10,6	23	63	616
040729	FL100ALUN	100	103	163	190	103	128	11	18	14	15	10,6	28	75	890

For rear 90° hinge use:

- from bore 12 to 25 mm
- from bore 32 to 100 mm

Rear clevis ISO 6432, type CF (see page 1.95.1).

Rear 90° hinge VDMA, type ASV (see page 1.97.2).

Standard executions

Version	Sym.	Type
Rear eye		CM..AQUN
Rear clevis		CF..AQUN
Flange		FL..AQUN
Low foot		PB..AQUN

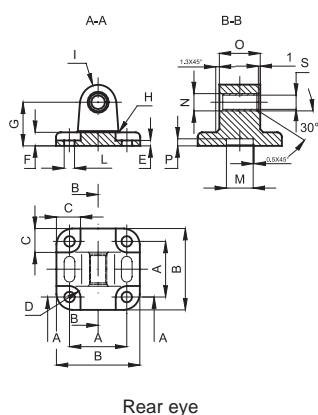


Technical data

Type	Materials and treatments			
	Steel A105	Fe 37	Black cathaphoresis	White zinking
CM..AQUN	•		•	
CF..AQUN	•		•	
FL..AQUN		•		•
PB..AQUN		•		•

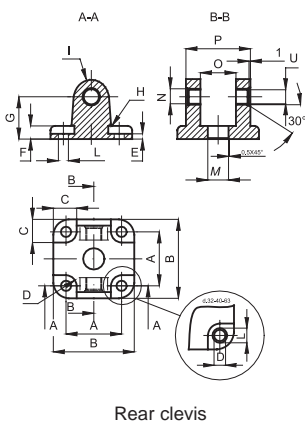
Note: The mounting screws are to be ordered separately.
 For screws see page 1.101.1.

Type: CM



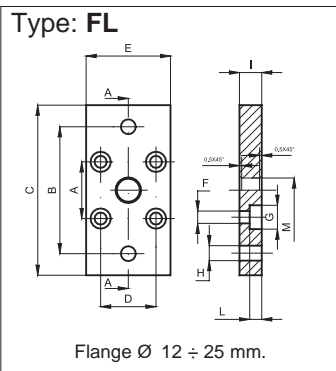
Code	Item	For cyl. Ø mm	A	B	C	D	E	F	G	H	I	L	M	N	O	P	Q	R	S	Weight (g)
040732	CM20AQUN	20	22	34	11	5	2,6	6	20	2	8	5,5	12	10	16	3	6	28	8	64
040733	CM25AQUN	25	26	38	11	5	2,6	6	20	2	8	5,5	12	10	16	3	6	28	8	80

Type: CF

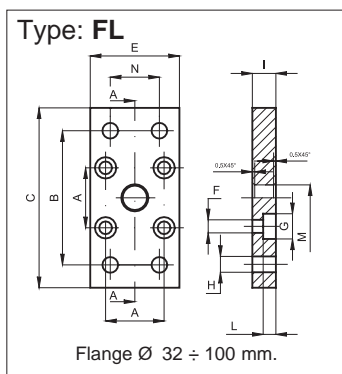


Code	Item	For cyl. Ø mm	A	B	C	D	E	F	G	H	I	L	M	N	O	P	Q	R	S	T	U	Weight (g)
040741	CF32AQUN	32	32	48	-	11	5,5	9	22	2,5	10	6,6	14	12	26	45	1,3	1,5	32	8	10	178
040742	CF40AQUN	40	42	58	-	11	5,5	9	25	2,5	12,5	6,6	14	14	28	52	1,3	1,3	37,5	9	12	313
040743	CF50AQUN	50	50	66	15,5	7,5	6,5	11	27	2,5	12,5	9	18	14	32	60	1,5	1,5	39,5	8	12	431
040744	CF63AQUN	63	62	83	-	15	6,5	11	32	4	15	9	18	18	40	70	1,5	1,5	47	10,5	16	707
040745	CF80AQUN	80	82	102	19	9	10	13	36	4	15	11	23	18	50	90	1,5	1,5	51	10	16	1213
040746	CF100AQUN	100	103	123	19	9	10	15	41	4	20	11	28	23	60	110	1,5	1,5	61	9	20	2200

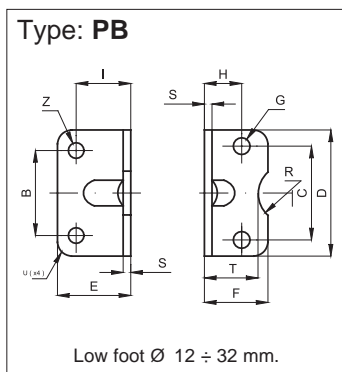
The pin is to be ordered separately: for the pin see page 1.98.2 (SEC..AQIS).



Code	Item	For cyl. Ø mm	A	B	C	D	E	F	G	H	I	L	M	Weight (g)
040751	FL12-16AQUN	12-16	18	43	55	18	29	4,5	9	5,5	10	5,4	10	10
040752	FL20AQUN	20	22	55	70	22	36	5,5	10	6,6	10	5,4	12	16
040753	FL25AQUN	25	26	60	76	26	40	5,5	10	6,6	10	5,4	12	20

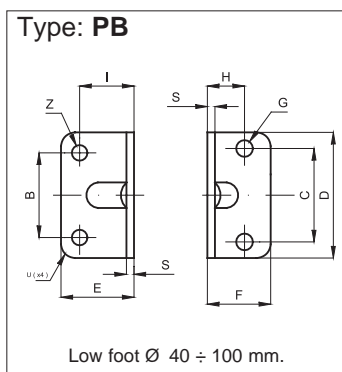


Code	Item	For cyl. Ø mm	A	B	C	D	E	F	G	H	I	L	M	N	Weight (g)
040754	FL32AQUN	32	32	65	80	32	50	6,6	11	7	10	6,4	14	32	260
040755	FL40AQUN	40	42	82	102	42	60	6,6	11	9	10	6,4	14	36	420
040756	FL50AQUN	50	50	90	110	50	68	9	15	9	12	8,6	18	45	600
040757	FL63AQUN	63	62	110	130	62	87	9	15	9	15	8,6	18	50	1200
040758	FL80AQUN	80	82	135	160	82	107	11	18	12	15	10,6	23	63	1800
040759	FL100AQUN	100	103	163	190	103	128	11	18	14	15	10,6	28	75	2550



It is supplied singly.

Code	Item	For cyl. Ø mm	C	B	D	E	F	G	H	I	S	T	R	U	Z	Weight (g)
040761	PB12-16AQUN	12-16	18	18	30	17,5	17,5	4,4	13	13	3	15	9	2	5,5	20
040762	PB20AQUN	20	22	22	36	22	22	5,4	16	16	4	17	10	2	6,6	32
040763	PB25AQUN	25	26	26	40	22	23	5,4	17	16	4	19	11	2	6,6	38
040764	PB32AQUN	32	32	32	50	26	24	6,6	16	18	5	20	12	2	6,6	66



It is supplied singly.

Code	Item	For cyl. Ø mm	C	B	D	E	F	G	H	I	S	U	Z	Weight (g)
040765	PB40AQUN	40	42	42	60	28	29,5	6,6	21,5	20	5	5	9	100
040766	PB50AQUN	50	50	50	68	32	30	9	22	24	6	5	9	150
040767	PB63AQUN	63	62	62	84	39	39	9	28,5	27	6	5	11	250
040768	PB80AQUN	80	82	82	102	42	36,5	11	24,5	30	8	5	11	380
040769	PB100AQUN	100	103	103	123	45	38,5	11	26,5	33	8	5	13,5	500

Type: **VTCEI**



VTCEI - UNI5931

Type: **VBTR**



VBTR - DIN6912

Type: **NUT**



NUT - UNI5589

Type: **GROWER**



GROWER - DIN127B

MOUNTING SCREWS FOR CYLINDERS ISO 15552

Ø Cylind.	Code	Item	Normative	CF	CM	CFS	P	CMS	FL	FLV	PB	CFA	CTA
32	880179	VTCEIM6x16	UNI5931						■				
	040771	VTCEIM6x18	UNI5931	■	■	■		■			■		
	040782	VBTRM6x18	DIN6912							■			
	040691	VTCEIM6x20	UNI5931				■					■	■
40	880179	VTCEIM6x16	UNI5931						■				
	040771	VTCEIM6x18	UNI5931	■	■	■		■			■		
	040782	VBTRM6x18	DIN6912							■			
	040691	VTCEIM6x20	UNI5931				■					■	■
50	880174	VTCEIM6x25	UNI5931										■
	881144	VTCEIM8x16	UNI5931						■		■		
	040772	VTCEIM8x20	UNI5931	■	■	■		■				■	
	040783	VBTRM8x20	DIN6912							■			
63	040692	VTCEIM8x25	UNI5931				■						■
	881144	VTCEIM8x16	UNI5931						■		■		
	040772	VTCEIM8x20	UNI5931	■	■	■		■					
	040783	VBTRM8x20	DIN6912							■			
80	040692	VTCEIM8x25	UNI5931				■						■
	880824	VTCEIM8x30	UNI5931										■
	040773	VTCEIM10x20	UNI5931						■		■		
	040784	VBTRM10x20	DIN6912							■			
100	881228	VTCEIM10x25	UNI5931	■	■	■	■	■					■
	040693	VTCEIM10x30	UNI5931										■
	040773	VTCEIM10x20	UNI5931						■		■		
	040784	VBTRM10x20	DIN6912							■			
125	881228	VTCEIM10x25	UNI5931	■	■	■	■	■					■
	040693	VTCEIM10x30	UNI5931										■
	883537	VTCEIM10x35	UNI5931										■
	040774	VTCEIM12x25	UNI5931						■		■		
160	883538	VTCEIM12x30	UNI5931	■	■	■		■					
	883539	VBTRM12x30	DIN6912							■			
	040694	VTCEIM12x35	UNI5931				■						
	881914	VTCEIM16x25	UNI5931						■				
200	040775	VTCEIM16x30	UNI5931	■	■	■		■			■		
	883540	VBTRM16x30	DIN6912							■			
	040695	VTCEIM16x40	UNI5931				■						
	881914	VTCEIM16x25	UNI5931						■				
250	040775	VTCEIM16x30	UNI5931	■	■	■		■			■		
	883540	VBTRM16x30	DIN6912							■			
	040695	VTCEIM16x40	UNI5931				■						
	883541	VTCEIM20x25	UNI5931						■				
320	883542	VTCEIM20x35	UNI5931	■	■						■		
	883543	VBTRM20x35	DIN6912							■			
	883544	VTCEIM24x40	UNI5931	■	■								
	883545	VBTRM24x40	DIN6912							■			

MOUNTING SCREWS FOR CYLINDERS ISO 21287													
Ø Cylind.	Code	Item	Normative	CF	CM	CFS	P	CMS	FL	FLV	PB	CFA	CTA
20/25	880164	VTCEIM5x20	UNI5931		■				■				
32/40	880174	VTCEIM6x25	UNI5931	■	■	■	■	■	■		■	■	■
		VBTRM6x25	UNI6919							■			
50/63	040692	VTCEIM8x25	UNI5931						■		■		
	880824	VTCEIM8x30	UNI5931	■	■	■	■	■					
		VBTRM8x30	UNI6919							■		■	■
80/100	040693	VTCEIM10x30	UNI5931	■	■	■	■	■	■		■		■
		VBTRM10x30	UNI6919							■			

MOUNTING SCREWS FOR CYLINDERS UNITOP													
Ø Cylind.	Code	Item	Normative	CF	CM	FL	PB						
12/16	880220	VTCEIM4x12	UNI5931		■		■						
	880842	VTCEIM4x16	UNI5931			■							
20/25	880517	VTCEIM5x14	UNI5931		■	■							
	880164	VTCEIM5x20	UNI5931				■						
32/40	880179	VTCEIM6x16	UNI5931			■							
	040771	VTCEIM6x18	UNI5931	■			■						
50	881144	VTCEIM8x16	UNI5931			■							
	040772	VTCEIM8x20	UNI5931	■			■						
63/80 100	881228	VTCEIM10x25	UNI5931	■		■	■						

MOUNTING NUTS AND GROWERS FOR CYLINDERS CNOMO													
Ø Cylind.	Code (nut)	Item (nut)	Normative (nut)	Code (grower)	Item (grower)	Normative (grower)	CF	AN	P	PL	FL	PB	
25/32 40	041450	D6x1	UNI5589	880166	M6ZB	DIN127B	■	■	■	■	■	■	
50/63	041451	D8x1,25	UNI5589	880066	M8ZB	DIN127B	■	■	■	■	■	■	
80 100	041453	D10x1,5	UNI5589	078384	M10ZB	DIN127B	■	■	■	■	■	■	
125	041460	D12x1,75	UNI5589	880784	M12ZB	DIN127B	■	■	■	■	■	■	
160 200	880207	D16x2	UNI5589	078401	M16ZB	DIN127B	■	■	■	■	■	■	

ROD NUTS FOR CYLINDERS ISO 6432 - ISO 15552 - ISO 21287			
Ø Cylind.	Code	Item	Normative
8/10	881397	D4x0,7	UNI5589
12/16	041450	D6x1	UNI5589
20	041451	D8x1,25	UNI5589
25/32	041452	D10x1,25	UNI5589
40	041454	D12x1,25	UNI5589
50/63	041455	D16x1,5	UNI5589
80/100	041456	D20x1,5	UNI5589
125	041458	D27x2	UNI5589
160/200	041459	D36x2	UNI5589
250	041449	D42x2	UNI5589
320	-	D48x2	-

ROD NUTS FOR CYLINDERS CNOMO			
Ø Cylind.	Code	Item	Normative
25/32	041453	D10x1,5	UNI5589
40/50	041455	D16x1,5	UNI5589
63/80	041456	D20x1,5	UNI5589
100/125	041458	D27x2	UNI5589
160/200	041459	D36x2	UNI5589