

Standard executions		
Version	Code	Item
Bore 16 mm	075030	16PPC
Bore 20 mm	075031	20PPC
Bore 25 mm	075034	25PPC
Bore 32 mm	075035	32PPC



Series of pneumatic guided parallel hand grips available in 4 different sizes.

They are standard magnetic with grooves on the body allowing the direct mounting of magnetic reed switches.

For magnetic reed switch type ASC see from page 1.110.1.
For mounting accessories see from page 1.80.60.

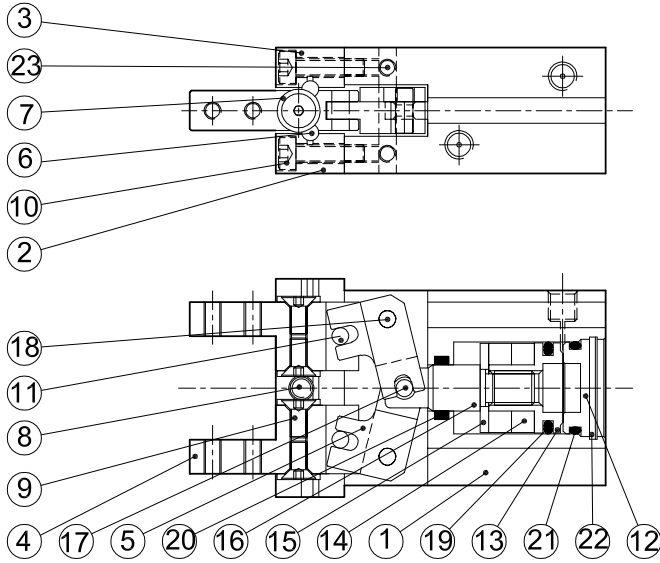
How to order : 20PPC

20	PPC
Bore	Type

Technical data		16PPC	20PPC	25PPC	32PPB
Type					
Fluid	Compressed filtered air with or without lubrication. Lubrication, if started, must be continued.				
Pressure	1,5 ÷ 7 bar				
Temperature range	0 °C ÷ +80° C				
Max. operation frequency	180 cycle / min.				
Lubrication	Piston:	with or without lubrication			
	Levers:	lubrication is required on moving parts			
Holding moments M* (Ncm)	Closing*	18	35	60	85
	Opening*	24	47	75	100
Maximum length of gripping point L (mm)		40	60	70	85
Weight (g)		200	600	800	1300
Stroke of open/close (mm)		6	8	14	16
Ports	M5				

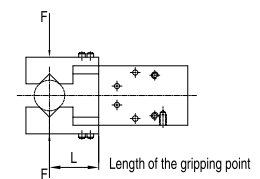
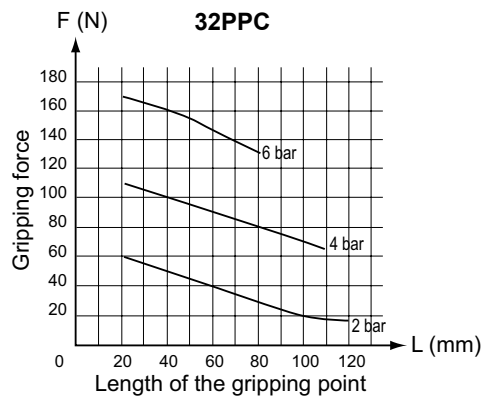
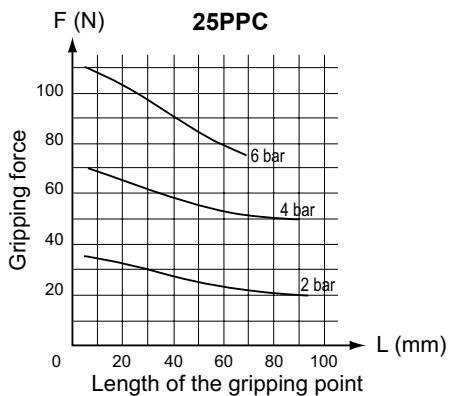
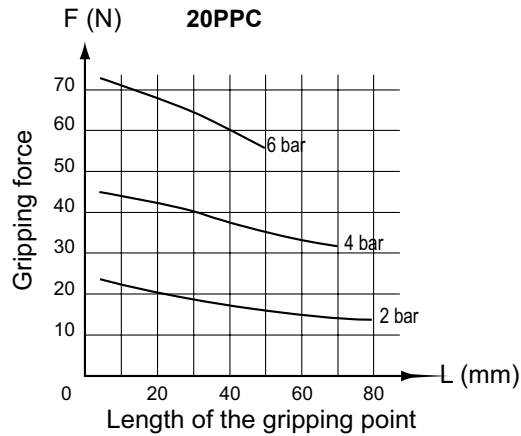
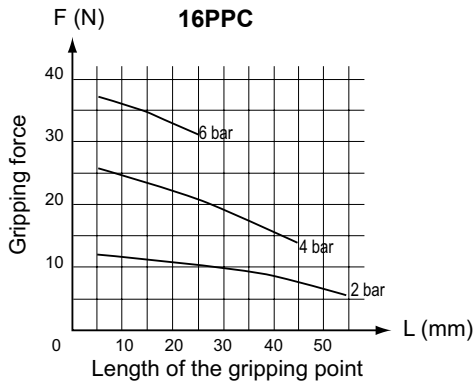
* P = 5 bar

Materials

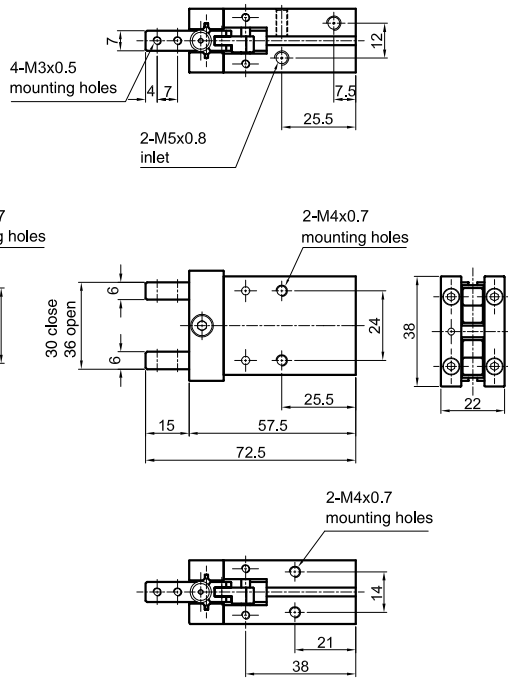


N.	Component	Material
1	Body	Aluminium
2	Front guide	Steel alloy
3	Rear guide	Steel alloy
4	Fingers	Steel alloy
5	Action lever	Steel alloy
6	Roll ball	Molybdenum chromium steel
7	Side track stopper	Steel
8	Side track screw	Steel alloy
9	Stopper screw	Steel alloy
10	Screw	Aluminium alloy
11	Pin	Steel
12	End cover	Brass
13	Piston	Brass
14	Magnet	Plastic magnet
15	Magnet holder	Brass
16	Piston rod	Stainless steel
17	Guide pin	Steel
18	Pin	Steel
19	Piston seal	NBR
20	Piston rod seal	NBR
21	End cover O-ring	NBR
22	Seeger	Steel
23	Hexagonal screw	Steel alloy

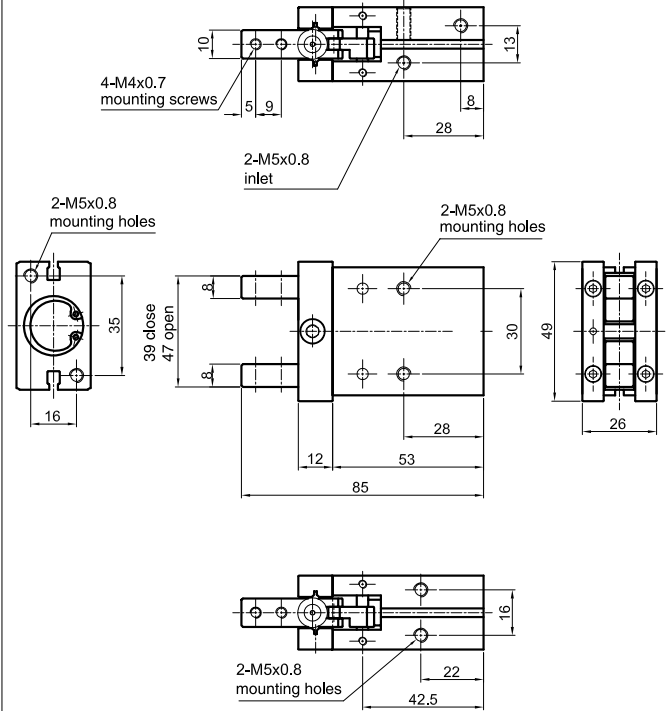
Gripping forces



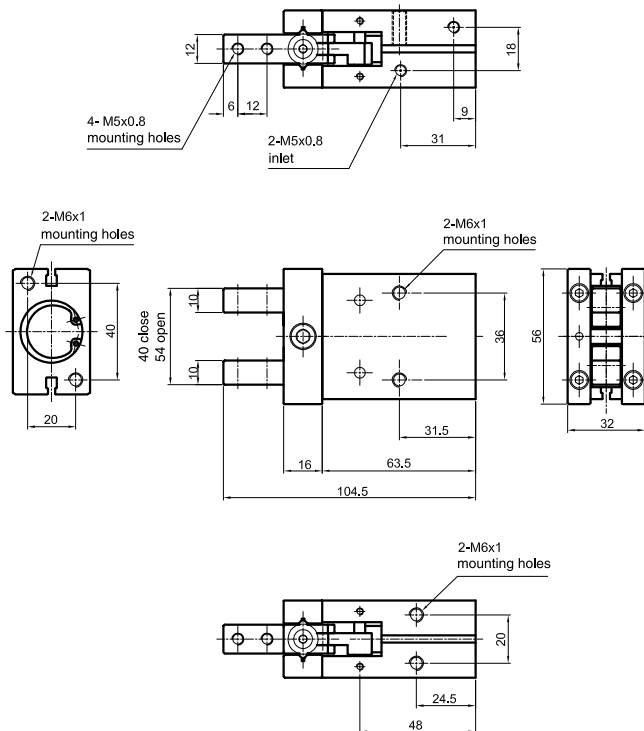
Type: 16PPC



Type: 20PPC



Type: 25PPC



Type: 32PPC

