

| Standard executions | | |
|---------------------|-------------------|-------|
| Version | Code | Item |
| Bore 10 mm (x2) | 075581 | 10ARC |
| Bore 12 mm (x2) | 075582 | 12ARC |
| Bore 15 mm (x2) | 073063 | 15ARC |
| Bore 18 mm (x2) | 073064 | 18ARC |
| Bore 20 mm (x2) | 073065 | 20ARC |
| Bore 25 mm (x2) | 073066 | 25ARC |
| Bore 28 mm (x2) | 075583 | 28ARC |
| Bore 32 mm (x2) | 075584 <i>New</i> | 32ARC |
| Bore 40 mm (x2) | 075585 <i>New</i> | 40ARC |
| Bore 50 mm (x2) | 075586 <i>New</i> | 50ARC |
| Bore 63 mm (x2) | 075587 <i>New</i> | 63ARC |



| Options | Suffix |
|--------------------------------|--------|
| With hydraulic shock absorbers | D |

How to choose the shock absorber

| Rotary actuator | Cushioning capability max (kgf.m) |
|-----------------|-----------------------------------|
| 15ARC | 3 |
| 18ARC | 6 |
| 20ARC | 6 |
| 25ARC | 20 |
| 28ARC | 59 |
| 32ARC | 59 |
| 40ARC | 147 |
| 50ARC | 147 |
| 63ARC | 147 |

Series of rotary actuators with double rack with rotation angles 90°-180° and adjustment angle from 0°+90°.

They are standard magnetic provided with groves on the body allowing the direct mounting of the magnetic reed switches. The mechanical stoppers are standard; the hydraulic shock absorbers can be supplied on request.

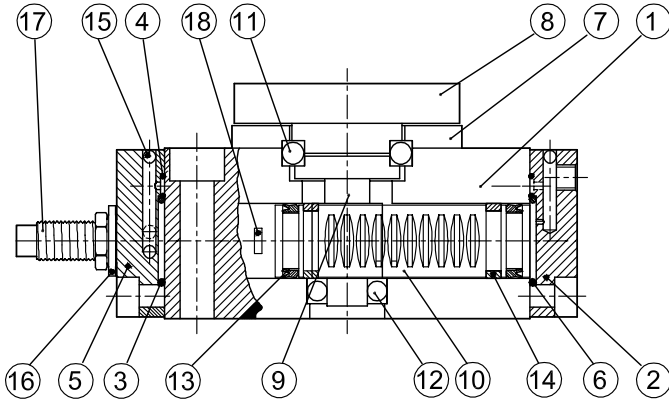
For the magnetic reed switches type ASC see from page 1.110.1

How to order: 20ARCD

| | | |
|------|------|--------|
| 20 | ARC | D |
| Bore | Item | Option |

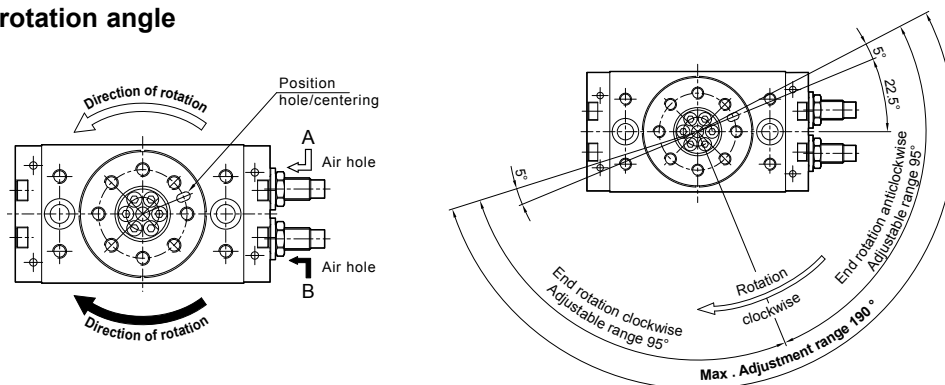
| Technical data | | | | | | | | | | | |
|-----------------------|--------------------------------------------------------------------------------------------------|------|------|------|------|------|------|------|------|------|-------|
| Type | 10 | 12 | 15 | 18 | 20 | 25 | 28 | 32 | 40 | 50 | 63 |
| Bore | Ø 10 | Ø 12 | Ø 15 | Ø 18 | Ø 20 | Ø 25 | Ø 28 | Ø 32 | Ø 40 | Ø 50 | Ø 63 |
| Fluid | Compressed filtered air with or without lubrication. Lubrication, if started, must be continued. | | | | | | | | | | |
| Pressure range | 1,5 ÷ 7 bar | | | | | | | | | | |
| Temperature range | 0° C ÷ + 50° C | | | | | | | | | | |
| Rotation angle | 180° | | | | | | | | | | |
| Adjustment angle | 0° ÷ 190° | | | | | | | | | | |
| Rotation moments (Nm) | 0,3 | 0,6 | 1,5 | 2,2 | 3,2 | 5,5 | 7,5 | 9,8 | 19 | 31 | 45 |
| Ports | M3 | | M5 | | | 1/8" | | | | | |
| Weight (g) | 150 | 250 | 530 | 990 | 1290 | 2100 | 2890 | 4100 | 7650 | 8960 | 11170 |

Materials

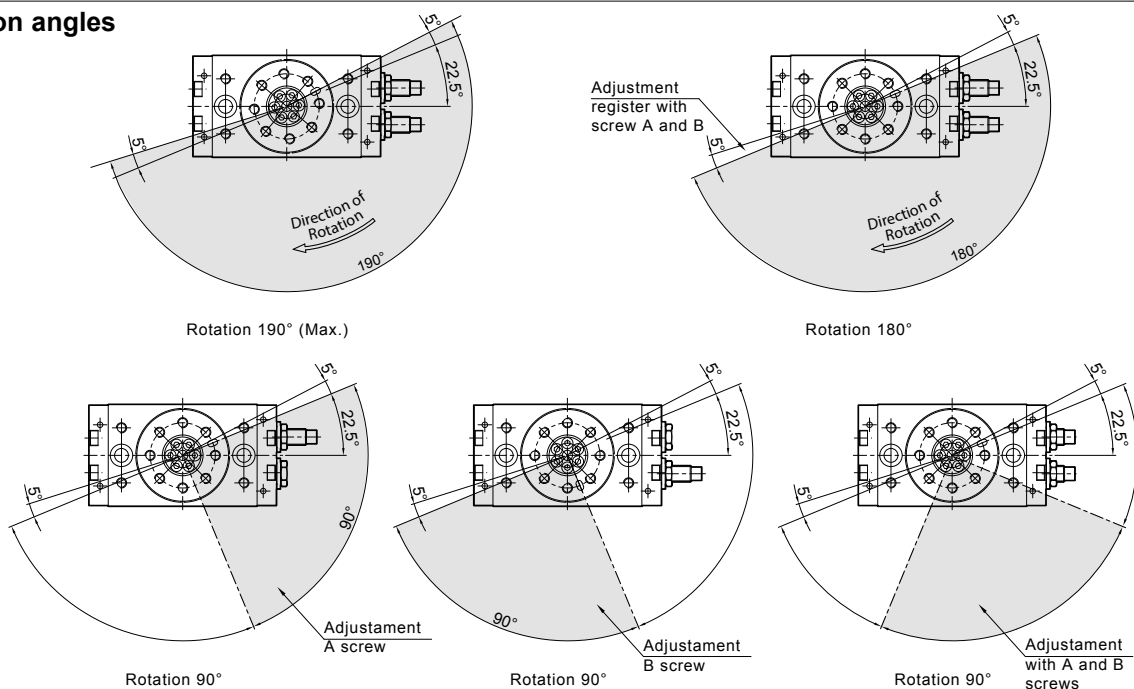


| N. | Component | Material |
|----|--------------------|--------------------|
| 1 | Body | Anodised aluminium |
| 2 | Front head | Anodised aluminium |
| 3 | O-Ring | NBR |
| 4 | O-Ring | NBR |
| 5 | Rear head | Anodised aluminium |
| 6 | O-Ring | NBR |
| 7 | Bearings cover | Anodised aluminium |
| 8 | Rotating plate | Anodised aluminium |
| 9 | Piston rod | Hardned steel |
| 10 | Rack | Stainless steel |
| 11 | Spherical bearing | Steel |
| 12 | Spherical bearing | Steel |
| 13 | Piston seal | NBR |
| 14 | Washer | Plastic material |
| 15 | Ball | Steel alloy |
| 16 | Limit switch seal | NBR |
| 17 | Mechanical stopper | Steel alloy |
| 18 | Magnet | Metal |

Direction and rotation angle

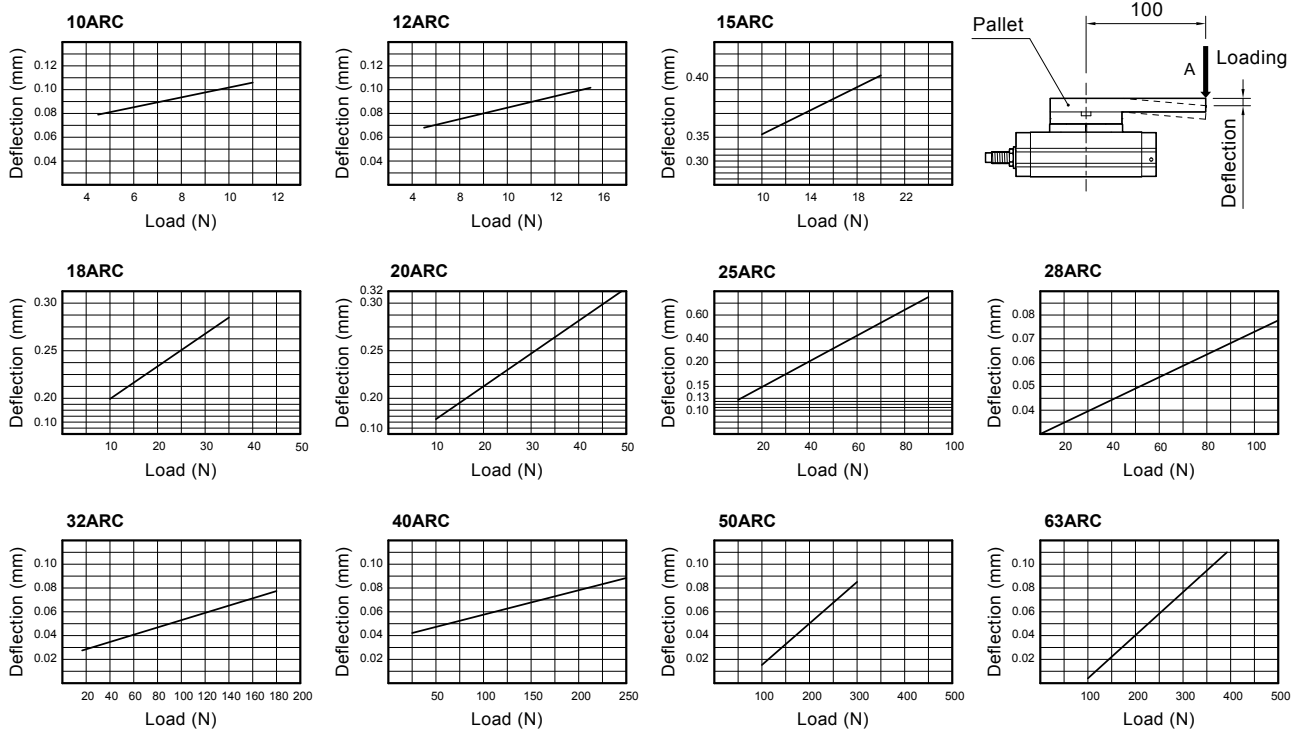


Rotation angles

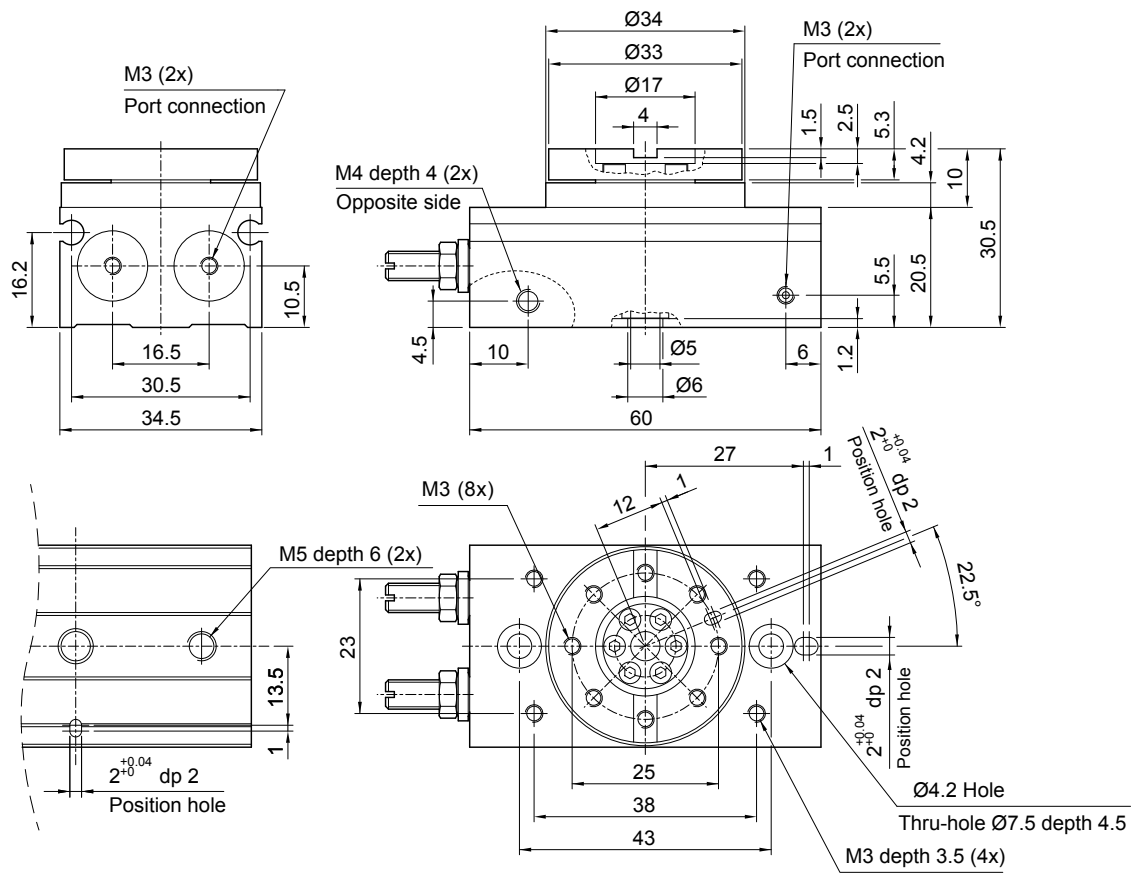


| Possible loads | | | | | |
|----------------|---------------|------|---------|-------------------|--|
| Type | Kind of loads | | | | |
| | | | Top (N) | | |
| Load | Side (N) | | | Torque moment (N) | |
| 10ARC | 33 | (a) | (b) | 1,1 | |
| 12ARC | 54 | 48 | 48 | 1,5 | |
| 15ARC | 70 | 71 | 74 | 2 | |
| 18ARC | 140 | 130 | 130 | 3,5 | |
| 20ARC | 185 | 188 | 358 | 4,8 | |
| 25ARC | 300 | 285 | 442 | 9 | |
| 28ARC | 333 | 296 | 476 | 12 | |
| 32ARC | 390 | 493 | 706 | 18 | |
| 40ARC | 543 | 740 | 1009 | 25 | |
| 50ARC | 850 | 950 | 1500 | 30 | |
| 63ARC | 1200 | 1400 | 2100 | 38 | |

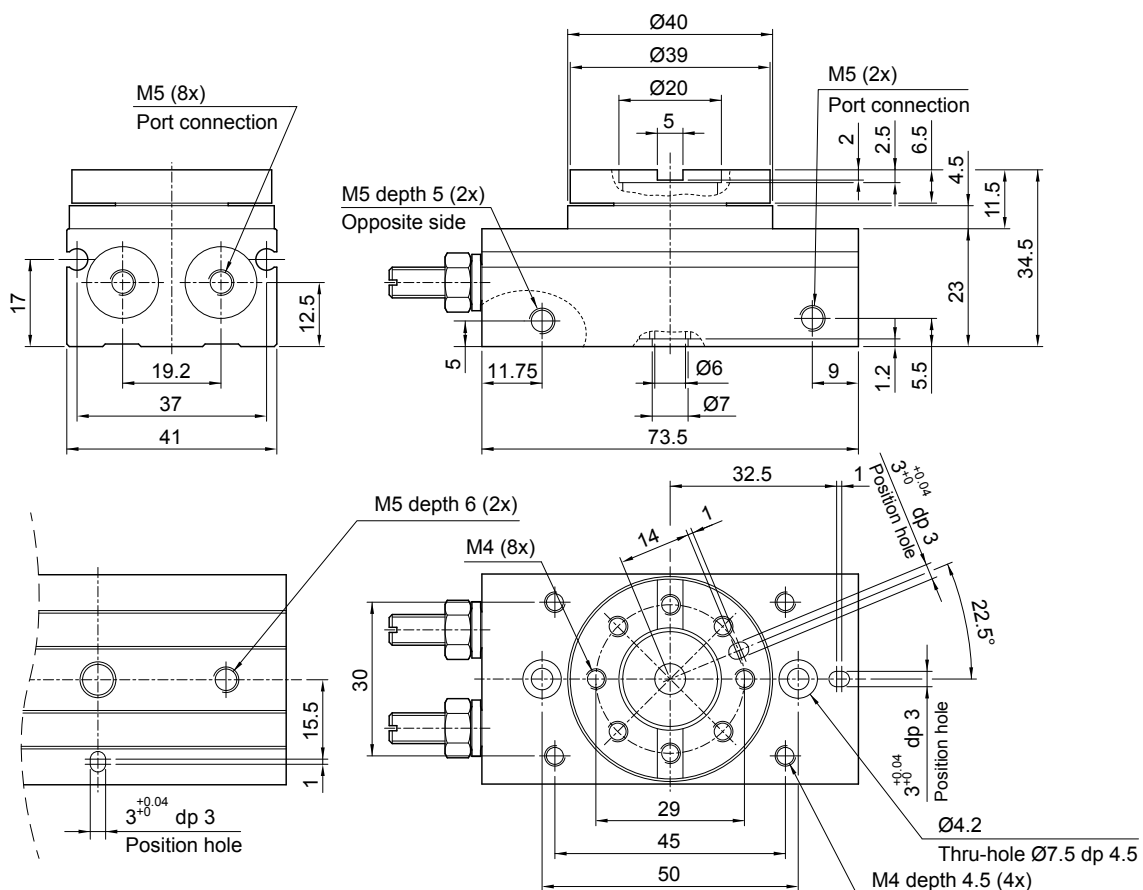
Transverse load and Deflection



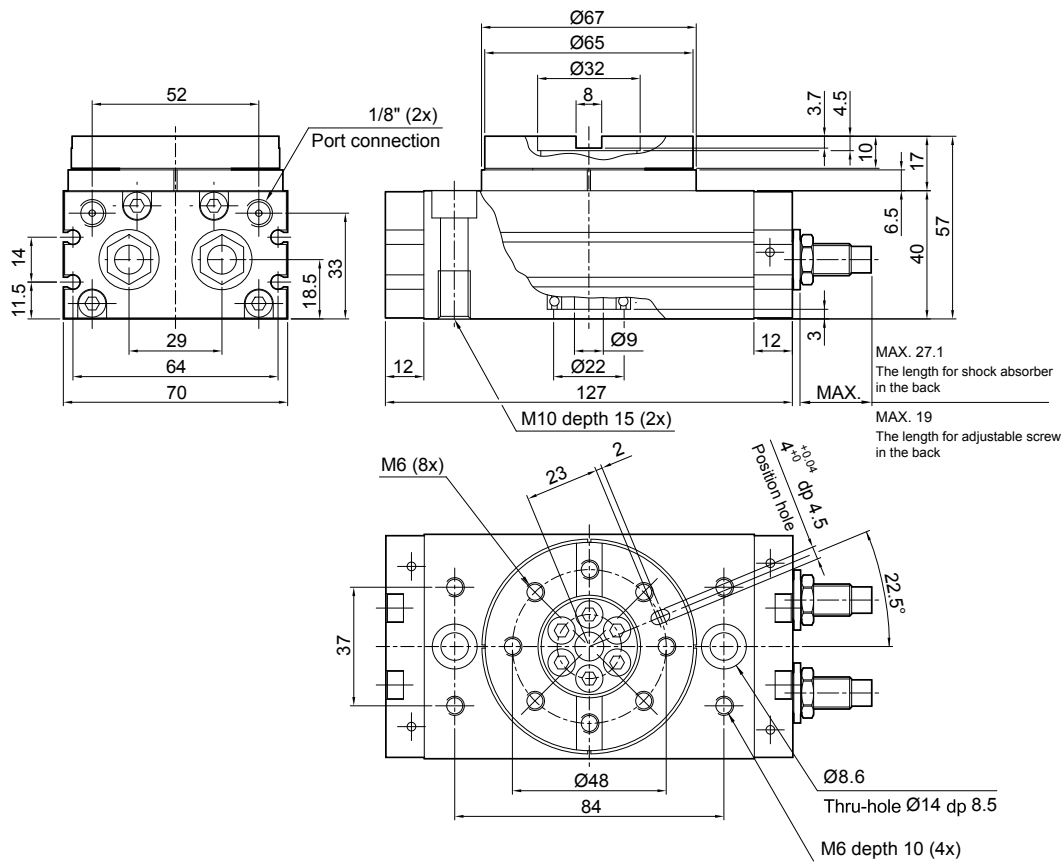
Type: 10ARC



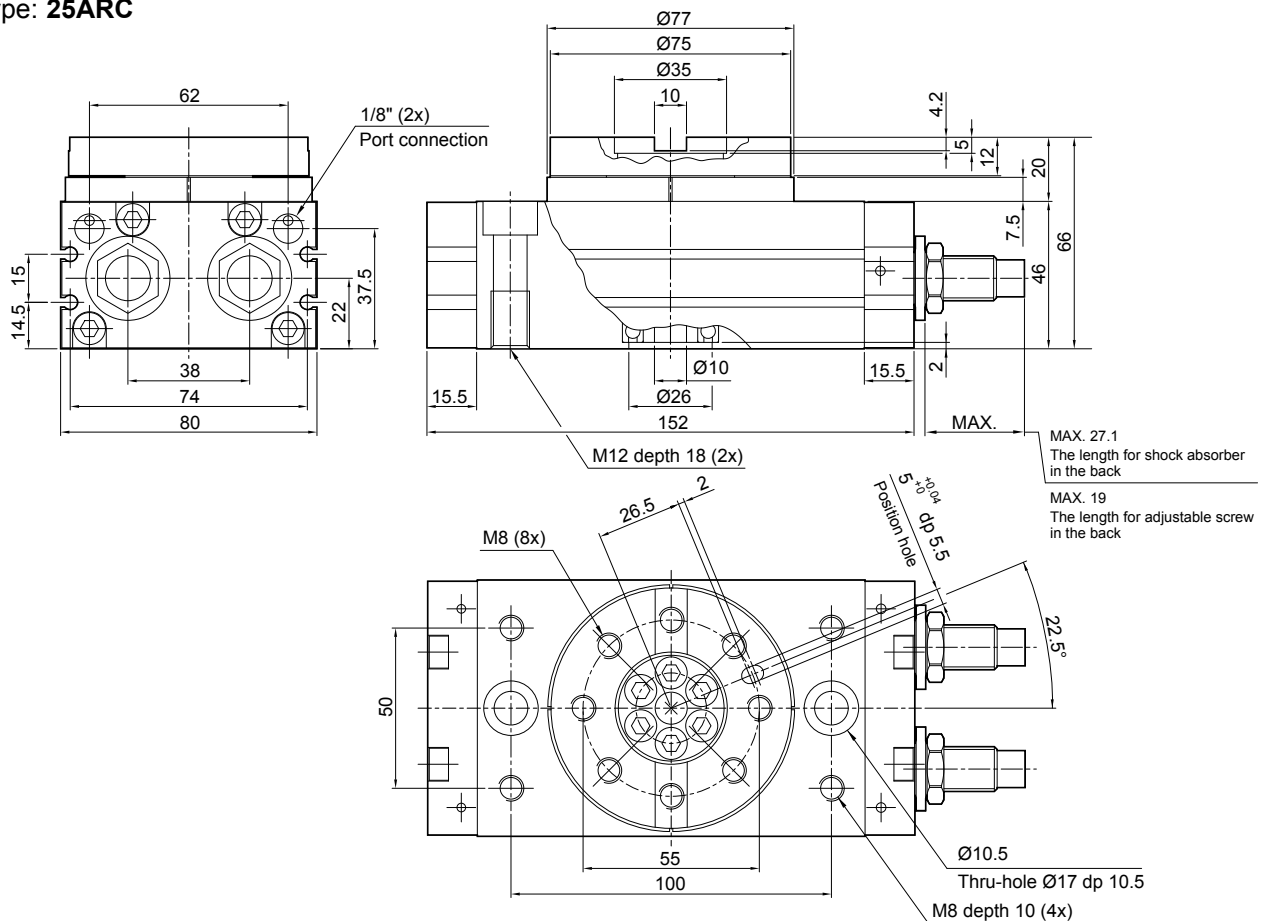
Type: 12ARC



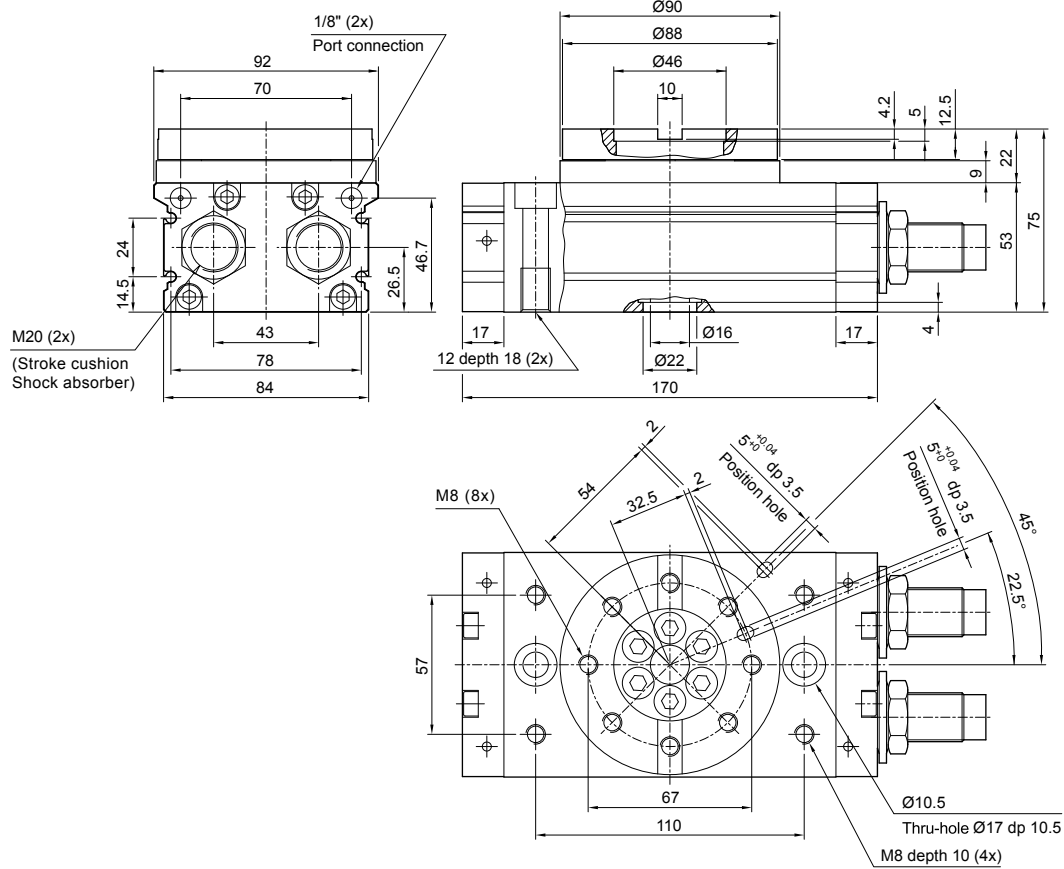
Type: 20ARC



Type: 25ARC



Type: **28ARC**



Type: **32ARC**

