

Standard executions

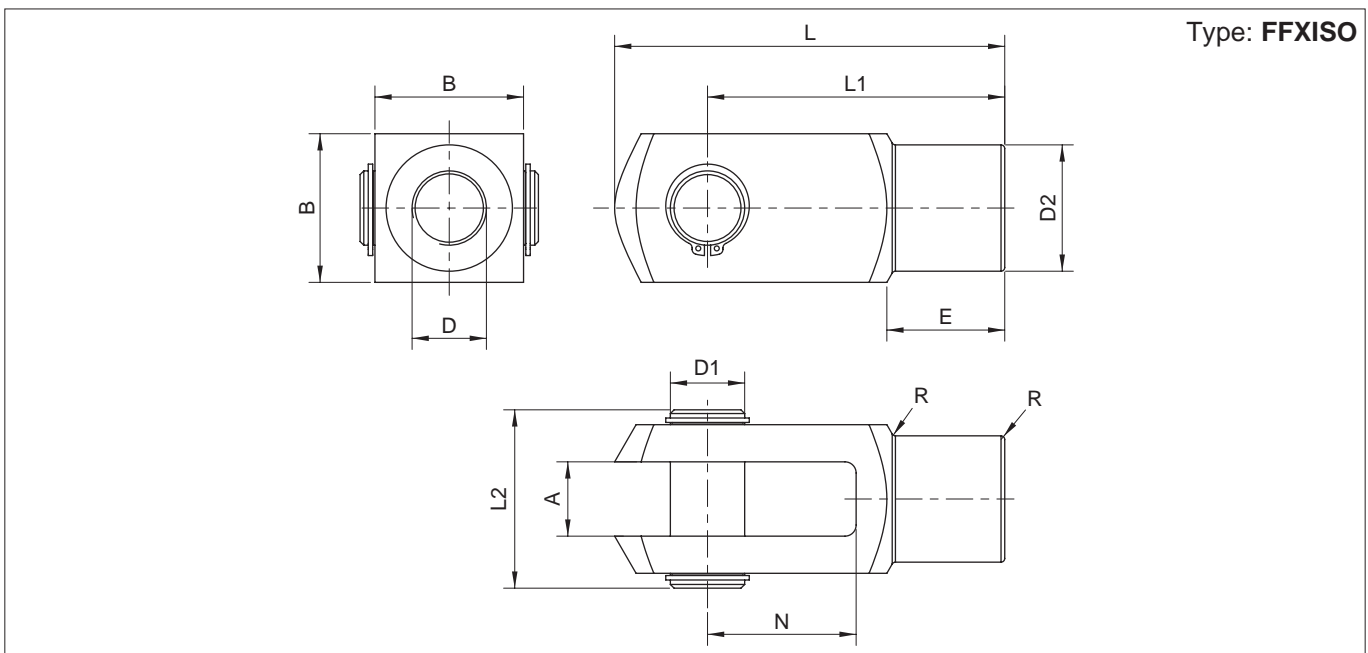
Version	Symbol	Type
Female clevis		FFXISO



Clevis conforming to ISO 8140 standards.
It's provided with a pin and 2 seegers.
The clevis is mounted on the cylinder rod and allows a swinging movement.

Options	Suffix
Special version on request	/ S

Technical data		
Materials	Body and clip:	Stainless steel AISI 316
	Seeger:	Stainless steel AISI 316



For the accessories of bore 125-160-200 mm, apply for availability because they have to be produced on request only.

Code	Item	For cylinder ø mm	D	A B12	B	D ₁	D ₂	E	L	L ₁	L ₂	N	R	Weight (g)
041052	4FFXISO	8-10	M4x0,7	4	8	4	8	6	21	16	11	8	0,5	7
041053	6FFXISO	12-16	M6x1	6	12	6	10	9	31	24	16	12	0,5	19
041054	8FFXISO	20	M8x1,25	8	16	8	14	12	42	32	22	16	0,5	47
041055	10FFXISO	25-32	M10x1,25	10	20	10	18	15	52	40	25	20	0,5	89
041056	12FFXISO	40	M12x1,25	12	24	12	20	18	62	48	30	24	0,5	153
041057	16FFXISO	50-63	M16x1,5	16	32	16	26	24	83	64	39	32	1	320
041058	20FFXISO	80-100	M20x1,5	20	40	20	34	30	105	80	48	40	1	680
041112	27FFXISO	125	M27x2	30	55	30	48	38	148	110	-	54	1	-
041113	36FFXISO	160-220	M36x2	35	70	35	60	40	188	144	-	72	1	-

Standard executions

Version	Symbol	Type
With female thread		RFX..SE



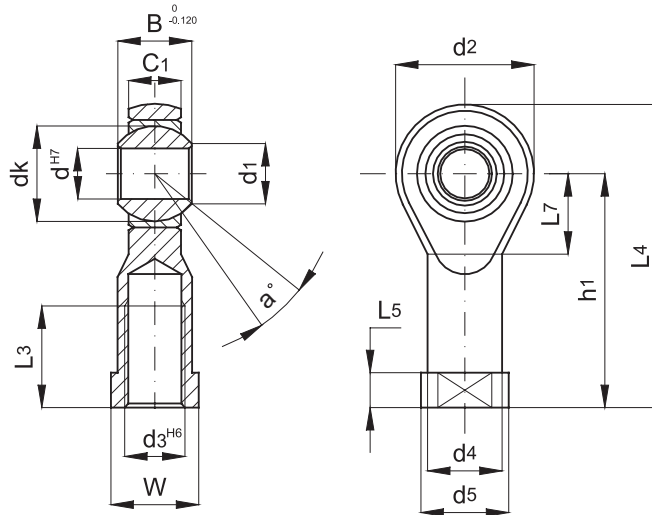
Self-lubricating bearing heads servicing-free and conforming to DIN 648-K and ISO 8139 standards.

The bearing head is mounted on the cylinder rod.

Technical data

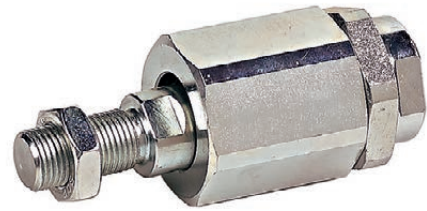
Temperature range	-30 °C ÷ +150 °C
Materials	Body: Stainless Steel AISI 431 Sphere: Stainless Steel AISI 316 External ring: Stainless Steel AISI 316 TI

Type: RFX..SE



Code	Item	For cylin. ISO \varnothing mm	d	d ₃	B	C ₁	d ₁	d ₂	d ₄	d ₅	dk	h ₁	L ₃	L ₄	L ₅	L ₇	W	Static load (daN)	α°	Weight (g)
041576	RFX4SE	8-10	5	M4	8	6	7,7	18	9	11	11,112	27	10	36	4	10	9	600	13	19
041570	RFX6SE	12-16	6	M6	9	6,75	8,9	20	10	13	12,700	30	12	40	5	11	11	700	13	26
041577	RFX8SE	20	8	M8	12	9	10,4	24	12,50	16	15,875	36	16	48	5	13	14	1200	14	46
040009	RFX10SE	25-32	10	M10x1,25	14	10,50	12,9	28	15	19	19,050	43	20	57	6,5	15	17	1400	13	75
041578	RFX12SE	40	12	M12x1,25	16	12	15,4	32	17,50	22	22,225	50	22	66	6,5	17	19	1900	13	112
040011	RFX16SE	50-63	16	M16x1,5	21	15	19,3	42	22	27	28,575	64	28	85	8	23	22	4800	15	220
041579	RFX20SE	80-100	20	M20x1,5	25	18	24,3	50	27,50	34	34,925	77	33	102	10	27	30	5200	14	406
041580	RFX30SE	125	30	M27x2	37	25	34,8	70	40	50	50,800	110	51	145	15	36	41	10800	17	1120
041581	RFX35SE	160-200	35	M36x2	43	28	37,7	80	46	58	57,150	125	56	165	17	41	50	12400	19	1595

Standard executions		
Version	Symbol	Type
Axial		GBX



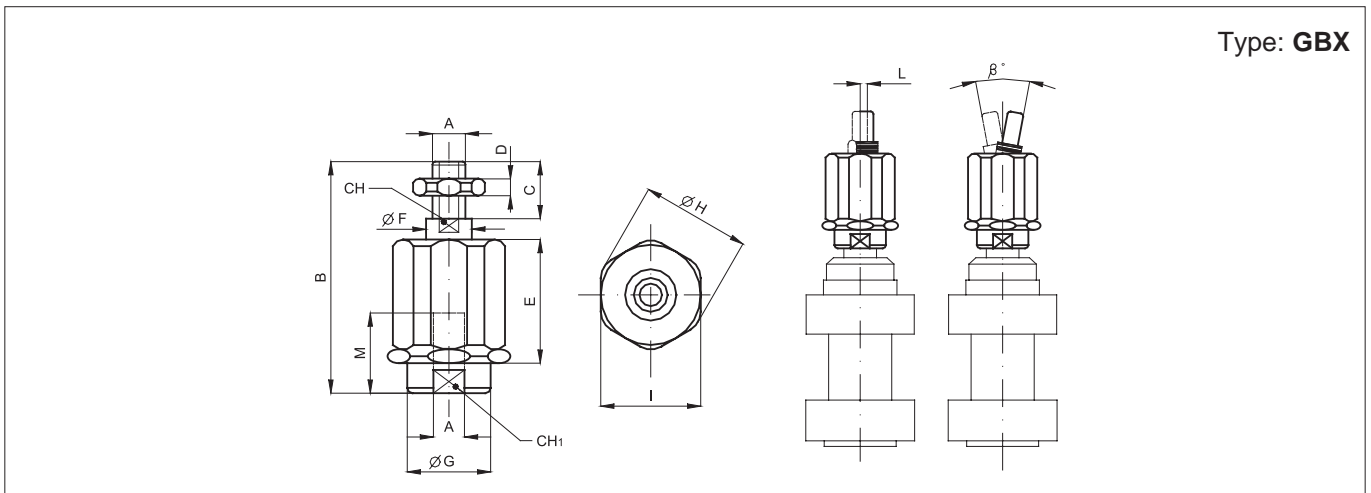
Axial self-aligned articulated couplings mounted on the cylinder rod.

They are fit for applications with high tractions and allow to compensate the angular and parallel misalignments.

They are provided with hexagonal nut in the standard version.

Options	Suffix
Special versions on request	/ S

Technical data	
Material	Stainless steel

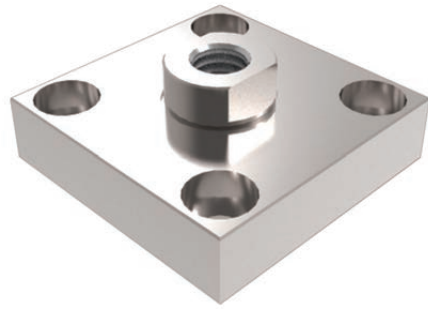


Code	Item	For cylin. ISO Ø mm	A	B	C	D	E	F	G	H	I	L	M	CH	β°	CH ₁	Maximum load (N) in thrust and traction	Weight (g)
041734	GBX008	8-10	M4x0,7	33	8	2,2	15,5	6	8,5	14,5	12	1	10	3,2	10	12	750	20
041735	GBX010	12-16	M6x1	39	12	3,2	17,5	6	8,5	14,5	13	1	10	5	10	7	1200	23
041736	GBX020	20	M8x1,25	55	16	4	24,5	8	12,5	19	17	2	20	7	10	10	2500	60
041737	GBX040	25-32	M10x1,25	73	20	5	34	14	21	32	30	2	20	12	10	19	5000	230
041738	GBX060	40	M12x1,25	77	24	6	34	14	21	32	30	2	20	12	10	19	5000	230
041739	GBX100	50-63	M16x1,5	108	32	8	54	22	33,5	45	41	2	32	19	10	30	10000	650
041721	GBX120	80-100	M20x1,5	122	40	9	54	22	33,5	45	41	2	40	19	10	30	10000	710
041740	GBX130	125	M27x2	147	54	13,5	71	-	59	60	55	-	40	24	-	32	-	1600

* For cylinders not conforming to standards.

Standard executions

Version	Symbol	Type
Self-aligned articulated couplings		GCX



Axial self-aligned articulated couplings mounted on the cylinder rod.

They are suitable for applications with high tractions and allow to compensate the angular and parallel misalignments.

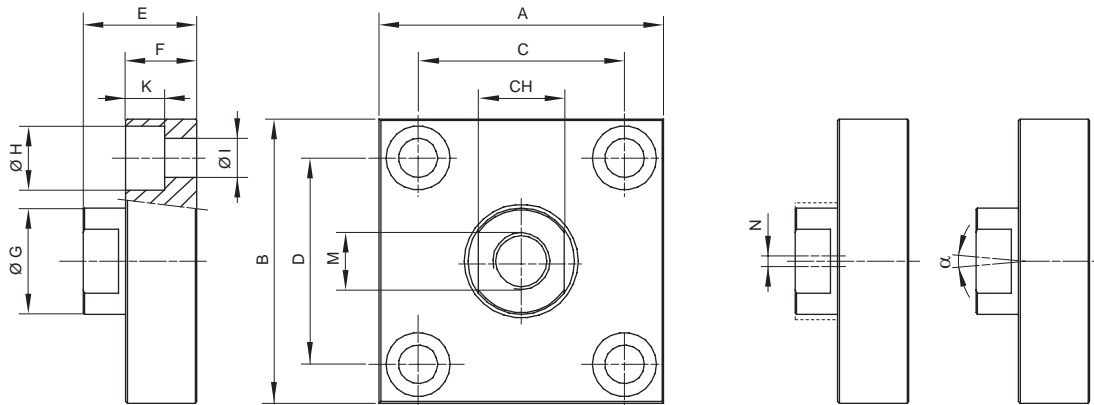
Options

Options	Suffix
Special version on request	/ S

Technical data

Material	Stainless Steel
----------	-----------------

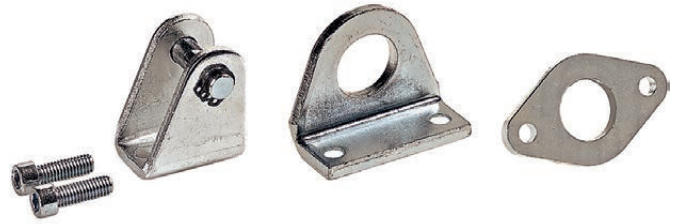
Type: **GCX**



Code	Item	A	B	C	D	CH	E	F	Ø G	Ø H	Ø I	K	M	N	α	Weight (g)
041728	GCXM10x1,25	60	37	36 ±0,15	23 ±0,15	17	24	15	20	11	6,6	7	M10x1,25	2	0,4÷0,8	0,3
041729	GCXM12x1,25	60	56	42 ±0,2	38 ±0,2	19	30	20	25	15	9	9	M12x1,25	2	0,4÷0,8	0,4
041730	GCXM16x1,5	80	80	58 ±0,2	58 ±0,2	24	32	20	30	18	11	11	M16x1,5	2	0,4÷0,8	0,9
041731	GCXM20x1,5	90	90	65 ±0,2	65 ±0,2	36	35	20	40	20	14	13	M20x1,5	2	0,4÷0,8	1,1
041732	GCXM27x2	90	90	65 ±0,2	65 ±0,2	36	35	20	40	20	14	13	M27x2	2	0,4÷0,8	1,1
041733	GCXM36x2	125	125	90 ±0,2	90 ±0,2	50	55	30	60	26	18	17	M36x2	3	0,4÷0,95	3,4

Standard executions

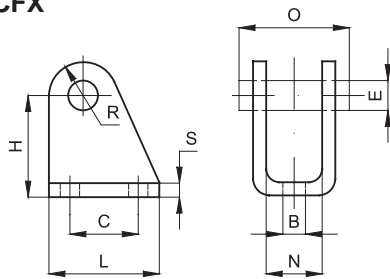
Version	Symbol	Type
Rear clevis with pin		CFX
Foot		PX
Flange		FX



Technical data

Material	Stainless Steel AISI 304
----------	--------------------------

Type: CFX

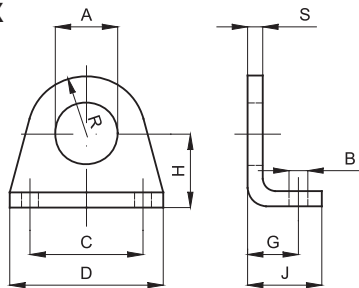


Rear clevis

Code	Item	For cyl. ø mm	B	E	C	H	L	N	O	R	S	Weight (g)
040046	CFX12-16	16	5,5	6	15	27	25	12,1	24	7	3	36
040047	CFX20-25	20-25	6,5	8	20	30	32	16,1	31	10	4	78

Complete with a pin and 2 seegers in the standard version.

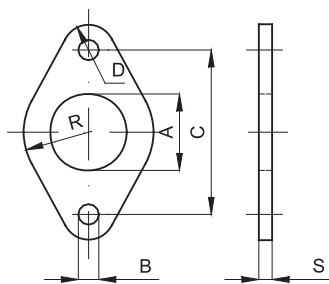
Type: PX



Foot

Code	Item	For cyl. ø mm	A	B	C	D	G	H	J	R	S	Weight (g)
040026	PX12-16	16	16,1	5,5	32	42	14	20	20	13	4	40
040027	PX20-25	20-25	22,1	6,6	40	54	17	25	25	20	5	90

Type: FX



Flange

Code	Item	For cyl. ø mm	A	B	C	R	D	S	Weight (g)
040006	FX12-16	16	16	5,5	40	15	6	4	26
040007	FX20-25	20-25	22	6,6	50	20	8	5	50

Standard executions

Version	Sym.	Type
Rear clevis		CFX..AQIS
Rear eye		CMX..AQIS
Rear 90° hinge CETOP RP 107P		ASVX..AQIS
Pin with rear clevis MP2 with seeger		SECX..AQIS
Narrow rear clevis		CFSX..AQIS
Narrow rear eye with bearing DIN 648K		CMSX..AQIS
Rear 90° hinge with bearing DIN 648K		ASSX..AQIS
Anti-rotating pin for narrow rear clevis		SECX..ARAQIS
Flange VDMA		FLVX..AQIS
Low foot		PBX..AQIS
Round adjustable centre trunnion (tie rod)		CTX..AQIS

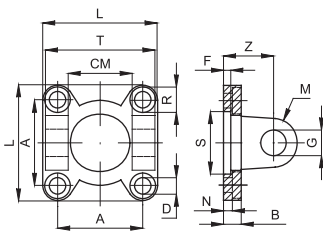


Technical data

Material	Stainless Steel AISI 316
----------	--------------------------

Note: The mounting screws are to be ordered separately. (see page 5.50.1).
For the accessories of bore 125-160-200 mm, apply for availability.

Type: CFX

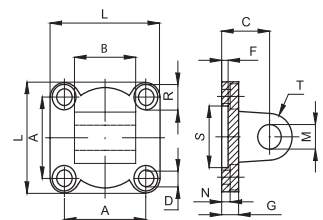


Rear clevis MP2

Code	Item	For cyl. ø mm	A	L	D	R	N	B	S	F	Z	G	M	CM	T	Weight (g)
040012	CFX32AQIS	32	32,5	45	6,6	11	5,5	10	30	5	22	10	10	26	45	
040830	CFX40AQIS	40	38	55	6,6	11	5,5	10	35	5	25	12	12	28	52	
040801	CFX50AQIS	50	46,5	65	9	15	6,5	10	40	5	27	12	12	32	60	
040014	CFX63AQIS	63	56,5	75	9	15	6,5	12	45	5	32	16	16	40	70	
040013	CFX80AQIS	80	72	95	11	18	10	14	45	5	36	16	16	50	90	
040838	CFX100AQIS	100	89	115	11	18	10	16	55	5	41	20	20	60	110	
040005	CFX125AQIS	125	110	140	13,5	20	10	20	60	7	50	25	25	70	130	
040797	CFX160AQIS	160	140	180	18	26	10	20	65	7	55	30	25	90	170	
040798	CFX200AQIS	200	175	220	18	26	11	20	75	7	60	30	25	90	170	

The pin is to be ordered separately: for the pin see page 5.40.2 (SECX..AQIS)

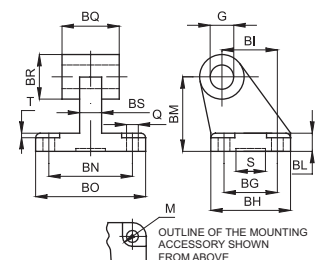
Type: CMX



Rear eye MP4

Code	Item	For cyl. ø mm	A	L	D	R	N	G	S	F	C	M	T	B	Weight (g)
040805	CMX32AQIS	32	32,5	45	6,6	11	5,5	10	30	5	22	10	10	26	
040806	CMX40AQIS	40	38	55	6,6	11	5,5	10	35	5	25	12	12	28	
040802	CMX50AQIS	50	46,5	65	9	15	6,5	10	40	5	27	12	12	32	-0,2
040808	CMX63AQIS	63	56,5	75	9	15	6,5	12	45	5	32	16	16	40	-0,6
040016	CMX80AQIS	80	72	95	11	18	10	14	45	5	36	16	16	50	
040799	CMX100AQIS	100	89	115	11	18	10	16	55	5	41	20	20	60	
040008	CMX125AQIS	125	110	140	13,5	20	10	20	60	7	50	25	25	70	
040800	CMX160AQIS	160	140	180	18	26	10	20	65	7	55	30	25	90	-0,5
040804	CMX200AQIS	200	175	220	18	26	11	20	75	7	60	30	25	90	-1,2

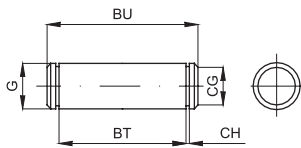
Type: ASVX



Rear 90° hinge
CETOP RP 107P

Code	Item	For cyl. ø mm	Q	M	BG	BH	BI	BL	BM	BN	BO	BS	BR	BQ	G	T	S	Weight (g)
040809	ASVX32AQIS	32	6,6	11	18	31	21	8	32	38	51	10	20	26	10	1,6	20	
040810	ASVX40AQIS	40	6,6	11	22	35	24	10	36	41	54	10	22	28	12	1,6	20	
040812	ASVX50AQIS	50	9	15	30	45	33	12	45	50	65	14	26	32	12	1,6	20	
040813	ASVX63AQIS	63	9	15	35	50	37	12	50	52	67	14	30	40	16	1,6	20	
040814	ASVX80AQIS	80	11	18	40	60	47	14	63	66	86	18	30	50	16	2,5	20	
040815	ASVX100AQIS	100	11	18	50	70	55	15	71	76	96	20	36	60	20	2,5	20	
040816	ASVX125AQIS	125	14	20	60	90	70	20	90	94	124	30	45	70	25	3,2	-	

Type: **SECX**

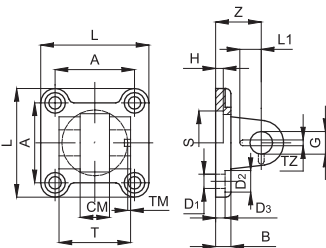


Pin for rear clevis MP2

It is supplied with 2 seegers included.

Code	Item	For cyl. ø mm	G	BT	CG	CH	BU	Weight (g)
040829	SECX32AQIS	32	10	46	9,6	1,1	53	
040831	SECX40AQIS	40	12	53	11,5	1,1	60	
040811	SECX50AQIS	50	12	61	11,5	1,1	68	
040832	SECX63AQIS	63	16	71	15,2	1,1	78	
040015	SECX80AQIS	80	16	91	15,2	1,1	98	
040839	SECX100AQIS	100	20	111	19	1,3	118	
040818	SECX125AQIS	125	25	132	23,9	1,3	139	
040819	SECX160AQIS	160	30	171,5	28,6	1,6	178	
040820	SECX200AQIS	200	30	171,5	28,6	1,6	178	

Type: **CFSX**

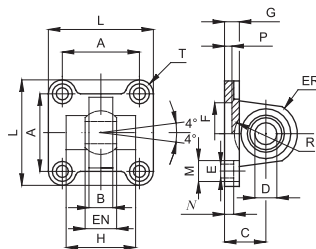


Narrow rear clevis for rear male trunnion with bearing
DIN 648 K

Code	Item	For cyl. ø mm	L	T	CM	A	Z	H	B	DS	S	G	D ₁	D ₂	TA	TZ	LI	Weight (g)
040821	CFSX32AQIS	32	45	34	14	32,5	22	5	10	5,5	30	10	6,6	11	3	3,3	11,5	
040822	CFSX40AQIS	40	55	40	16	38	25	5	10	5,5	35	12	6,6	11	4	4,3	12	
040823	CFSX50AQIS	50	65	45	21	46,5	27	5	10	6,5	40	16	9	15	4	4,3	14	
040824	CFSX63AQIS	63	75	51	21	56,5	32	5	12	6,5	45	16	9	15	4	4,3	14	
040825	CFSX80AQIS	80	95	65	25	72	36	5	16	10	45	20	11	18	4	4,3	16	
040826	CFSX100AQIS	100	115	75	25	89	41	5	16	10	55	20	11	18	4	6,3	16	
040833	CFSX125AQIS	125	140	97	37	110	50	7	20	10	60	30	13,5	20	6	6,3	24	

The pin is to be ordered separately: for the pin see page 5.40.3 (SECX..ARAQIS)

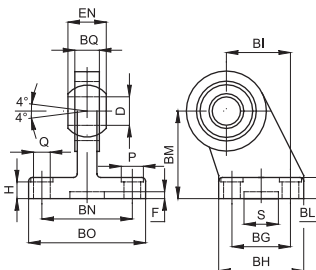
Type: **CMSX**



Narrow rear eye for rear male trunnion with bearing
DIN 648 K

Code	Item	For cyl. ø mm	A	B	C	D	EN	ER	F	G	E	L	M	N	P	H	R	Weight (g)
040834	CMSX32AQIS	32	32,5	10,5	22	10	14	15	30	10	6,6	45	10,5	5,5	5	-	-	
040835	CMSX40AQIS	40	38	12	25	12	16	18	35	10	6,6	55	11	5,5	5	-	-	
040836	CMSX50AQIS	50	46,5	15	27	16	21	20	40	10	9	65	15	6,5	5	51	19	
040010	CMSX63AQIS	63	56,5	15	32	16	21	23	45	12	9	75	15	6,5	5	-	-	
040837	CMSX80AQIS	80	72	18	36	20	25	27	45	14	11	95	18	10	5	-	-	
040848	CMSX100AQIS	100	89	18	41	20	25	30	55	16	11	115	18	10	5	-	-	
040849	CMSX125AQIS	125	110	26	50	30	37	40	60	20	13,5	140	20	10	7	-	-	

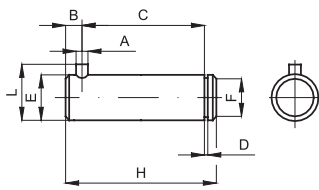
Type: **ASSX**



Rear 90° hinge with bearing
DIN 648 K

Code	Item	For cyl. ø mm	Q	M	BG	BH	BI	BL	BM	BN	BO	EN	ER	BQ	D	H	S	F	Weight (g)
040850	ASSX32AQIS	32	6,6	11	18	31	21	10	32	38	51	14	15	10,5	10	8,5	20	3	
040851	ASSX40AQIS	40	6,6	11	22	35	24	10	36	41	54	16	18	12	12	8,5	20	3	
040852	ASSX50AQIS	50	9	15	30	45	33	12	45	50	65	21	20	15	16	10,5	20	3	
040853	ASSX63AQIS	63	9	15	35	50	37	12	50	52	67	21	23	15	16	10,5	20	3	
040854	ASSX80AQIS	80	11	18	40	60	47	14	63	66	86	25	27	18	20	11,5	20	3	
040855	ASSX100AQIS	100	11	18	50	70	55	15	71	76	96	25	30	18	20	12,5	20	3	
040856	ASSX125AQIS	125	13,5	20	60	90	70	20	90	94	124	37	40	25	30	17	20	3	

Type: SECX - AR

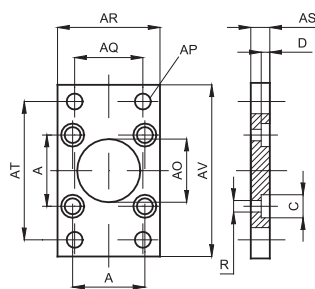


Anti-rotating pin for narrow rear clevis

It is supplied with 1 seeger included.

Code	Item	For cyl. ø mm	A	C	D	E	F	G	H	L	B	Weight (g)	
040857	SECX32ARAQIS	32	3	32,5	1,1	10	9,6	4	41	14	4,5	0 -1	
040858	SECX40ARAQIS	40	4	38	1,1	12	11,5	4	48	16	6		
040859	SECX50ARAQIS	50	4	43	1,1	16	15,2	5	54	20	6		
040860	SECX63ARAQIS	63	4	49	1,1	16	15,2	5	60	20	6		
040861	SECX80ARAQIS	80	4	63	1,3	20	19	6	75	24	6		
040862	SECX100ARAQIS	100	4	73	1,3	20	19	6	85	24	6		
040863	SECX125ARAQIS	125	6	94	1,6	30	28,6	7	110	36	9	0 -2	

Type: FLVX

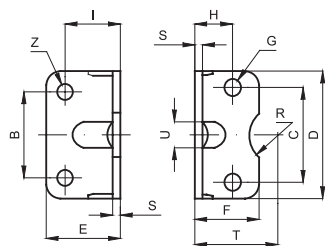


Flange VDMA MF1 / MF2

Code	Item	For cyl. ø mm	A	AP	AO	R	AS	AR	AQ	AT	AV	C	D	Weight (g)
040864	FLVX32AQIS	32	32,5	7	30	6,5	10	45	32	64	80	10,5	5	
040865	FLVX40AQIS	40	38	9	35	6,5	10	52	36	72	90	11	5	
040840	FLVX50AQIS	50	46,5	9	40	9	12	65	45	90	110	15	5,5	
040866	FLVX63AQIS	63	56,5	9	45	9	12	75	50	100	120	15	5,5	
040867	FLVX80AQIS	80	72	12	45	11	16	95	63	126	150	18	8	
040868	FLVX100AQIS	100	89	14	55	11	16	115	75	150	170	18	8	
040869	FLVX125AQIS	125	110	16	60	13,5	20	140	90	180	205	20	9,5	
040870	FLVX160AQIS	160	140	18	65	18	20	180	115	230	260	26	10,5	
040871	FLVX200AQIS	200	175	22	75	18	25	220	135	270	300	26	12,5	

Lowered head screws type VBTRX (see page 5.35.1) must be used with this mounting accessory.

Type: PBX

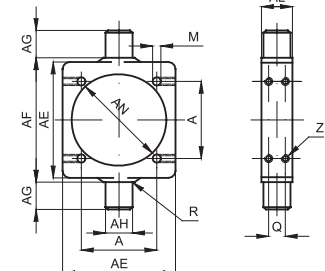


Low foot MS1

It is supplied singly.

Code	Item	For cyl. ø mm	C	B	D	E	F	G	H	I	S	T	R	U	Z	Weight (g)
040872	PBX32AQIS	32	32,5	32	45	35	30	7	15,75	24	4	32	15	11	7	
040873	PBX40AQIS	40	38	36	52	36	30	7	17	28	4	36	17,5	15	9	
040874	PBX50AQIS	50	46,5	45	65	47	36	9	21,75	32	5	45	20	16	9	
040875	PBX63AQIS	63	56,5	50	75	45	35	9	21,75	32	5	50	22,5	18	9	
040876	PBX80AQIS	80	72	63	95	55	47	11	27	41	6	63	22,5	17	12	
040877	PBX100AQIS	100	89	75	115	57	53	11	26,5	41	6	71	27,5	24	14	
040878	PBX125AQIS	125	110	90	140	70	70	14	35	45	8	90	30	-	16	
040879	PBX160AQIS	160	140	115	180	75	100	18	45	60	9	115	32,5	-	18	
040880	PBX200AQIS	200	175	135	220	100	100	18	47,5	70	12	135	37,5	-	22	

Type: CTX



Round adjustable centre trunnion (tie rod) MT4

Code	Item	For cyl. ø mm	A	AE	AL	AH	AG	AF	AN	R	M	Q	Z	Weight (g)
040881	CTX32AQIS	32	32,5	46	15	12	12	50	37	1	6,25	7	M5	
040882	CTX40AQIS	40	38	59	20	16	16	63	46	1,5	6,25	8	M5	
040883	CTX50AQIS	50	46,5	69	20	16	16	75	56	1,6	8,25	8	M6	
040884	CTX63AQIS	63	56,5	84	25	20	20	90	69	1,6	8,25	12	M6	
040885	CTX80AQIS	80	72	102	25	20	20	110	87	1,6	10,25	12	M8	
040550	CTX100AQIS	100	89	125	30	25	25	132	107	2	10,25	15	M8	
040886	CTX125AQIS	125	110	155	32	25	25	160	134	2	12,25	15	M10	
040887	CTX160AQIS	160	140	190	40	32	32	200	171	2,5	16,25	18	M12	
040888	CTX200AQIS	200	175	240	40	32	32	250	214	2,5	16,25	18	M12	

For this accessories order separately 8 screws. (see page 5.50.1)

Type: **VTCEI**



VTCEI - UNI5931

Type: **VBTR**



VBTR - DIN6912

Type: **GRAINS**



GRAINS - UNI5927

FIXING SCREWS FOR CYLINDERS STAINLESS STEEL

Ø Cyl.	Code	Item	Norm	CFX	CMX	CFSX	CMSX	FLVX	PBX
32	040787	VTCEIM6x18	UNI5931	■	■	■	■		■
	040792	VBTRM6x18	DIN6912					■	
40	040787	VTCEIM6x18	UNI5931	■	■	■	■		■
	040792	VBTRM6x18	DIN6912					■	
50		VTCEIM8x16	UNI5931						■
	040788	VTCEIM8x20	UNI5931	■	■	■	■		
	040793	VBTRM8x20	DIN6912					■	
63		VTCEIM8x16	UNI5931						■
	040788	VTCEIM8x20	UNI5931	■	■	■	■		
	040793	VBTRM8x20	DIN6912					■	
80	040789	VTCEIM10x20	UNI5931						■
	040794	VBTRM10x20	DIN6912					■	
		VTCEIM10x25	UNI5931	■	■	■	■		
100	040789	VTCEIM10x20	UNI5931						■
	040794	VBTRM10x20	DIN6912					■	
		VTCEIM10x25	UNI5931	■	■	■	■		
125		VTCEIM12x25	UNI5931						■
	040705	VTCEIM12x30	UNI5931	■	■	■	■		
		VBTRM12x30	DIN6912					■	
160	040791	VTCEIM16x30	UNI5931	■	■	■	■		■
	040796	VBTRM16x30	DIN6912					■	
200	040791	VTCEIM16x30	UNI5931	■	■	■	■		■
	040796	VBTRM16x30	DIN6912					■	

GRAINS FOR INTERMEDIATE HINGE STAINLESS STEEL

Ø Cylinder	Code	Item	Norm	CTX
32/40	885125	M5x5	UNI5927	■
50/63	885119	M6x10	UNI5927	■
80/100	883534	M8x10	UNI5927	■
125	884990	M10x14	UNI5927	■
160/200	885126	M12x20	UNI5927	■