

# A•mist<sup>80C</sup> Oil Mist Filter

The Absolent type A•mist<sup>80C</sup> oil mist filter revolutionizes the filtration of bigger air flows (from 8000m<sup>3</sup>/h) with moderate particle loads by making it both cheaper and easy to adjust to different preconditions. A•mist<sup>80C</sup> is a modular filter system without fan, where you can choose the number of filter stages (one filter stage per module) depending on how dirty the incoming air is and how clean you want it to become. The filter unit is for example well suited as a prefilter for ventilation units, where oil mist can cause high cleaning costs and reduce the efficiency of the heat exchanger.

#### Absolent's well-known high quality.

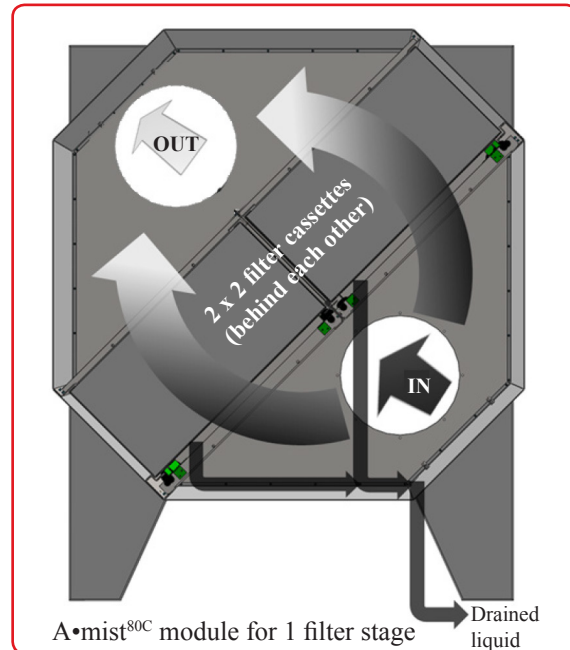
The filter unit is developed and proven in our own laboratory. For a still better draining capacity, the filter cassettes are placed diagonally.

#### Different filter cassette choices.

Depending on the particle load in the incoming air, there are different filter cassettes to choose from. All filter cassettes are part of our standard oil mist range.

#### Extremely low maintenance - low LCC

Absolent filter cassettes are self-draining and the drained liquid is led out of the filter unit. The only service necessary is changing or washing the filter cassettes. How often this happens depends on the particle load in the incoming air - please contact us and we are happy to make a LCC-analysis with your preconditions!



#### Operation

The filtering process occurs in one or two stages. For two-stage filtration, two filter modules are interlinked. The process air is sucked into the inlet at the lower part of the filter unit and passes the self-draining Absolent filter cassettes. Here, up to 95% of the oil mist is arrested. When the filter is saturated, the liquid drops down and is led out of the filter unit for recycling.

The filter unit can be fitted with an electronic manometer, A•monitor, which shows the pressure drop over the filter cassettes and indicates when it is time to change or wash the filter cassettes. A digital alarm signal can be sent to a central service desk.

#### Range of Application

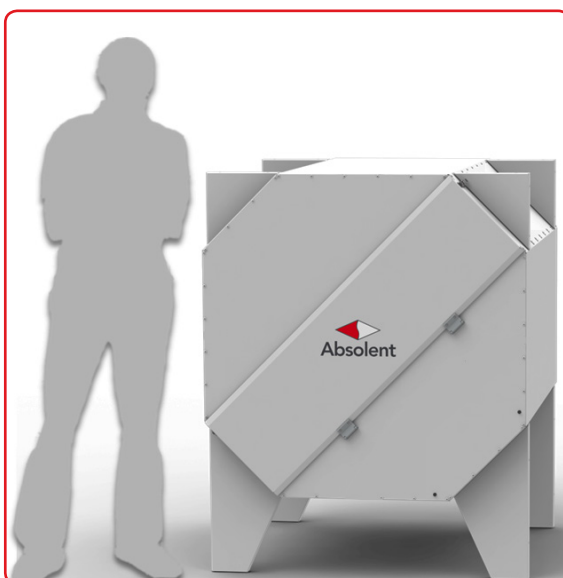
The Absolent A•mist oil mist filter is well suited for use in applications such as:

- Grinding
- Turning
- Milling

For all application, the particle loads have to be moderate.

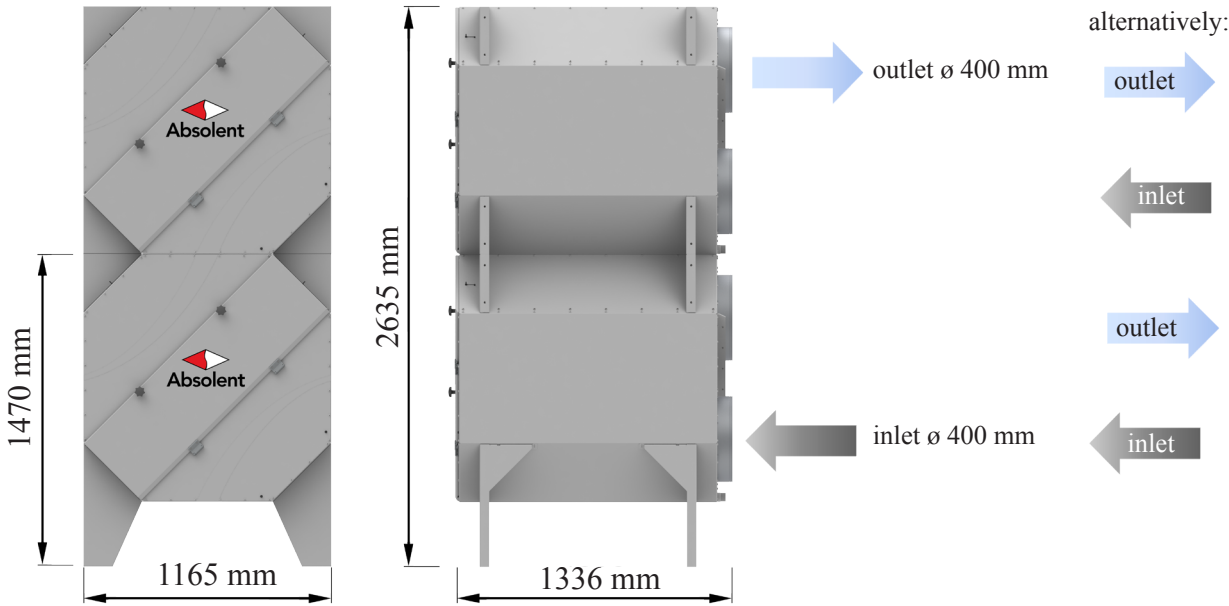
#### Functional design

The filter unit has a compact modular design, which occupies a minimum of floor space. Several modules can be placed on top of each other. The hinged service door makes service easy. The filter is supplied with a baked powder painted finish.



A•mist<sup>80C</sup>

Ongoing product development may subject our specifications to alteration without notice.



This example: 2 filter modules on top of each other. They can include:  
 1 filter stage (8 filter cassettes of the same type), for an airflow of 16.000 m<sup>3</sup>/h or  
 2 filter stages (4 filter cassettes per stage), for an airflow of 8.000 m<sup>3</sup>/h  
 The number of filter stages and choice of filter cassettes depends on how dirty the incoming air is and how clean you want it to become.

**Standard Equipment**

- ● RAL 7035 fine structure SK3  
 Other colours on request!

**Accessories**

- Electronic manometer with the following features:
  - ✓ Pressure drop and operation hour meters
  - ✓ Optical indication of filter alarm (LED).
  - ✓ Digital output signal for remote supervision.
- Analogue manometer
- Flat prefilter for severe dirt
- External fan
- Starter kit for fan
- Frequency converter for fan
- Duct connections for steel or plastic ductwork
- Return oil pump
- Different liquid traps
- Special colours



**Unique filter cassettes**

Absolent is one of few companies in this line of business that has specialized in the filtration of air containing wet particles.



This has given us the opportunity to develop a filter cassette that offers a long useful life with consistently high separation efficiency.

**Technical Data / module** **A•mist<sup>80C</sup>**

Max permissible air volume	[m <sup>3</sup> /h]	8000
Weight (dry filters)	[kg]	250
Max. weight (wet filters)	[kg]	ca. 310
No of filter cassettes	[pcs]	4
Pressure drop for fan dimensioning <sup>*)</sup>	[Pa]	700

<sup>\*)</sup>Applicable for Absolent standard oil mist filter cassettes as well as HEPA and carbon filters.

Ongoing product development may subject our specifications to alteration without notice.