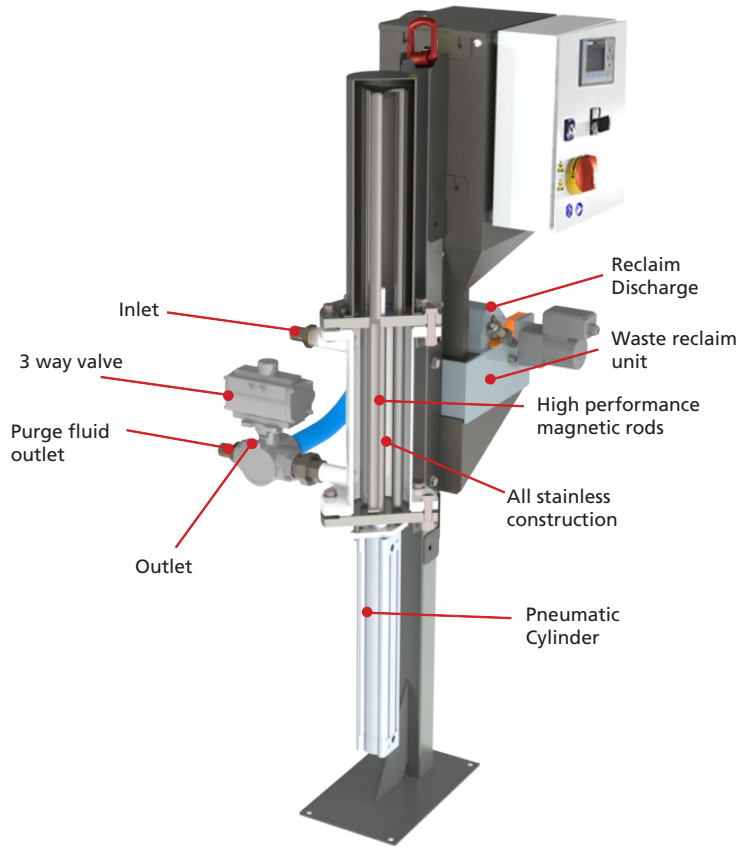
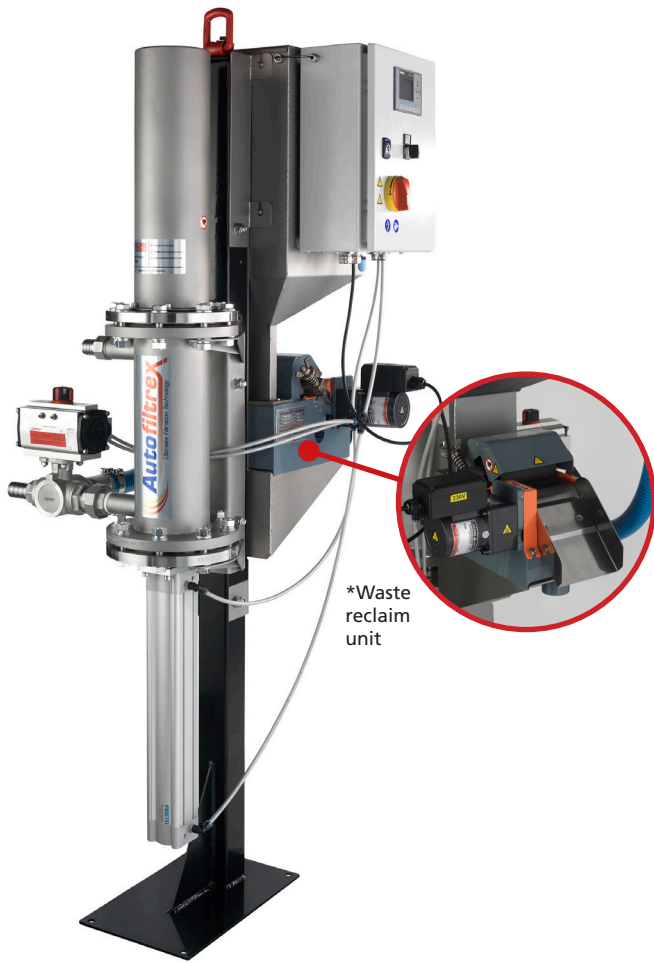




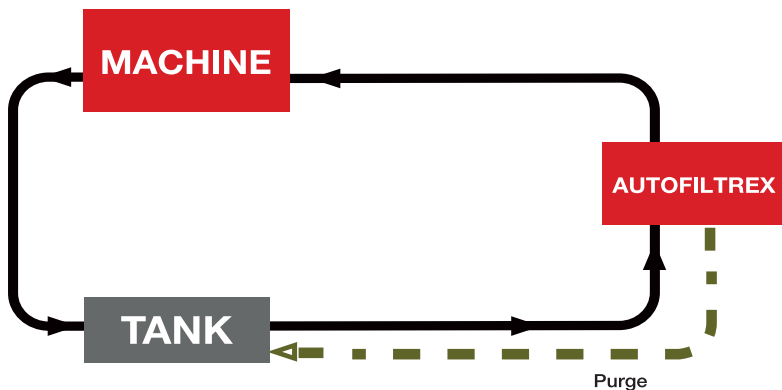
Autofiltrex



The latest generation in cost-effective fluid filtration.
Fully automated operating & cleaning. Provides huge cost savings in fluids & filter consumables.

Typical applications

Autofiltrex is ideal for most ferrous machining applications such as grinding, honing, lapping, forming and quenching processes. It can be also utilised in wash station applications.



Benefits

- Cleaner fluid delivery to the machine
- Reduced expenditure on filter media
- Fully automated cleaning
- Reduced waste disposal
- Increased fluid lifespan
- Improved surface finish and accuracy
- 24/7 uninterrupted filtration



How Autofiltrex works

Autofiltrex works in-line, taking dirty fluid from the holding tank and delivering clean polished fluid to the tool/workpiece contact point. As fluid flows through the Autofiltrex cylinder, high intensity magnetic circuits extract ferrous contamination particles.

When the magnets reach saturation point, a timed automated purging process lifts the magnetic cores from the housing thereby releasing contamination. This is simultaneously diverted via a 3-way valve to the reclaim unit (or when using AF1 to a purge or holding tank). The unit can be set to purge at timed intervals or be manually executed.

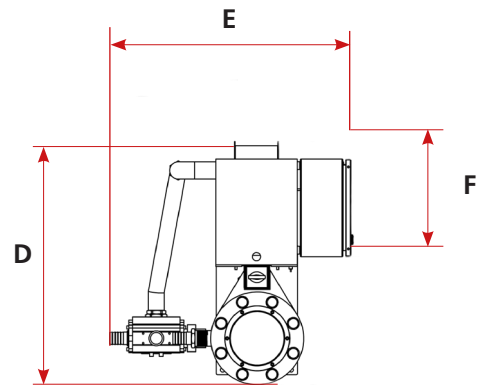
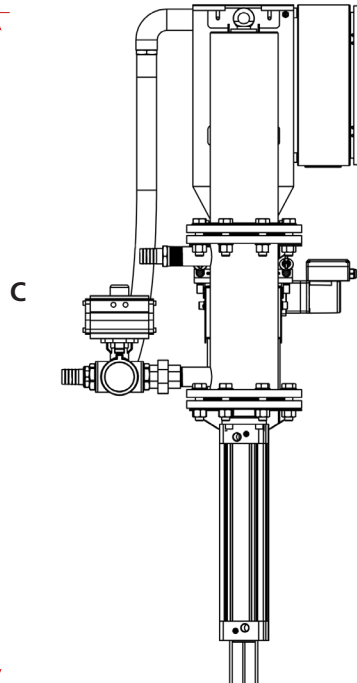
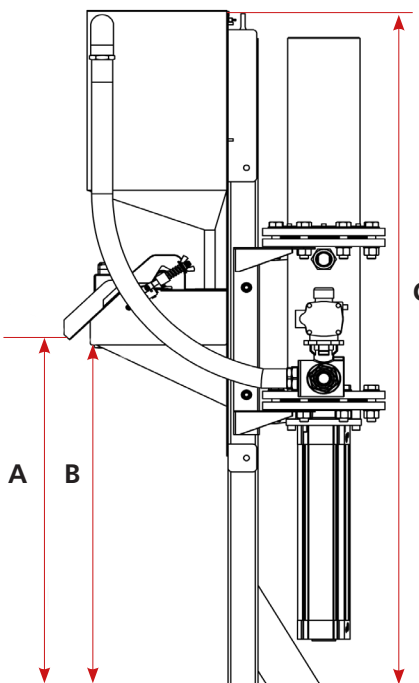
* AF1 unit is not supplied with a reclaim unit.



AF1

AF3

AF5



Product number	Flow rate ltrs/min.	Number of magnetic rods	Magnetic Strength gauss	Connections mm	Contamination Capacity kgs	Weight kg	Dimensions mm					
							A	B	C	D	E	F
AF1	60	1	9,000	19	1	30	N/A	N/A	1504	250	N/A	210
AF3-RC	150	3	9,000	31	3	122	872	852	1701	717	698	300
AF5-RC	200	5	9,000	38	5	145	872	852	1701	747	747	300