

AVS[®]

Filtramag⁺

Mobile Filtration Unit

Simple, Versatile, Convenient, "Off-Line" Fluid Polishing



 ECLIPSE
MAGNETICS

The **Filtramag+** mobile unit is an **off-line** filtration system for polishing oils and coolants. Featuring the high performance **Filtramag+** magnetic filter, this “**plug and play**” unit offers efficient **sub-micron filtration** and can be moved easily from machine to machine.

Supplied with an integral pump, spare magnetic core and connection hoses, the **Filtramag+** mobile unit provides **24/7 filtration** on a multitude of machining applications. The unit also features an integral cleaning station with built in waste containers, making it easy to collect ferrous contamination for recycling.

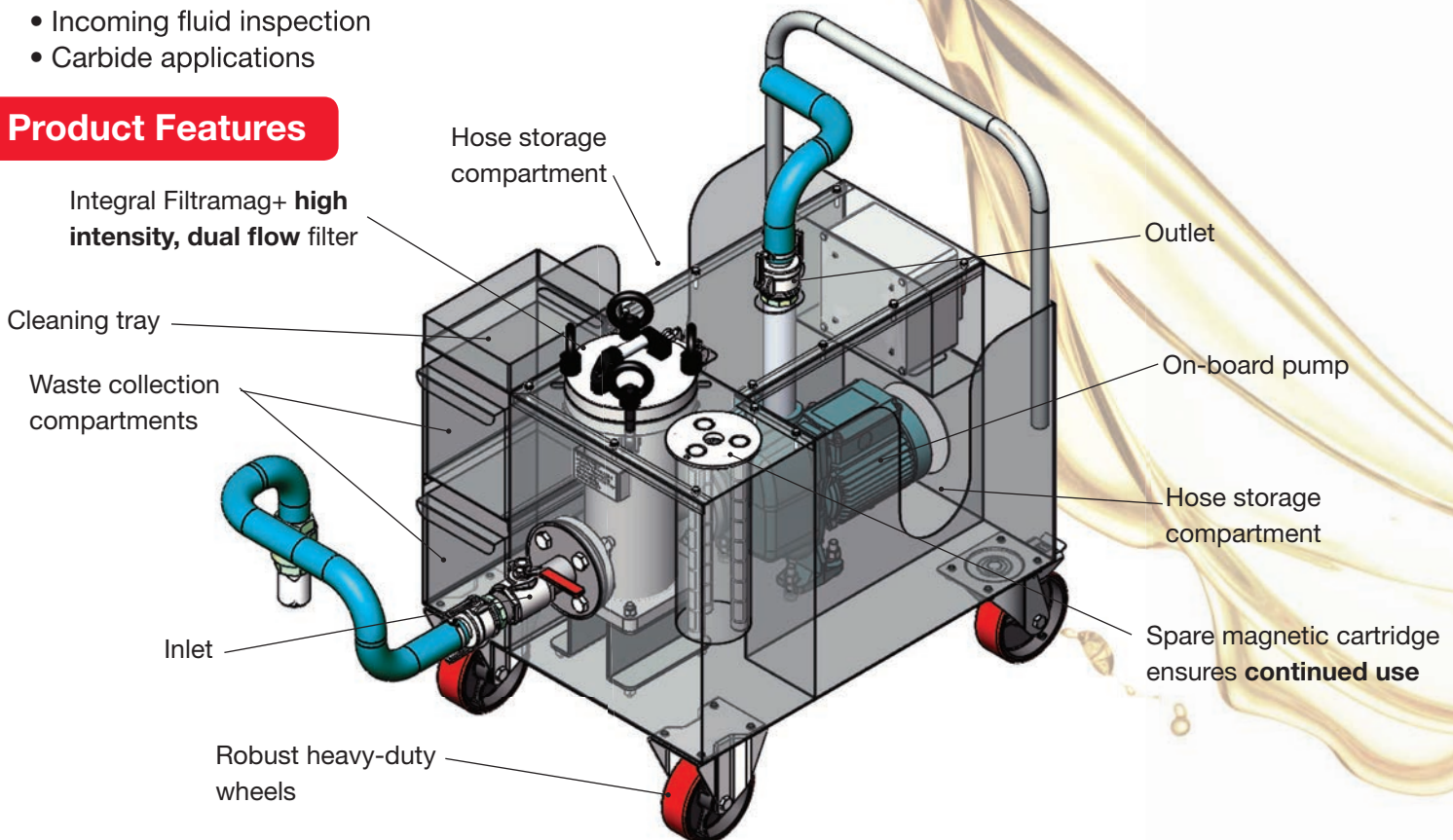
Benefits

- Simple, “**Quick-Connect**” installation
- High performance, **sub-micron filtration**
- Cleaner, **longer lasting fluids**
- **Cost savings** in disposable filter usage
- Improved surface **finish** and **accuracy**
- **Reduced waste** disposal and oil wastage

Typical Applications

- Ferrous machining processes
- Tank draining
- Tank cleaning
- Overnight fluid polishing
- Additional filtration
- Incoming fluid inspection
- Carbide applications

Product Features



Product Specifications

Performance

Maximum flow rate: 250 litres per minute

Magnetic performance: 4,000 Gauss (standard),
11,000 Gauss (optional)

Contamination collection capacity: 3kgs

Operating temperature: -5°C to 60°C

Maximum suction height: 12.9m



Construction

Magnet material: Rare Earth Neodymium Iron Boron (NdFeB)

Magnet grade: N35 (standard), N45 (optional)

Filter housing: 304 grade stainless steel (powder coated)

Unit body: Mild steel (painted)

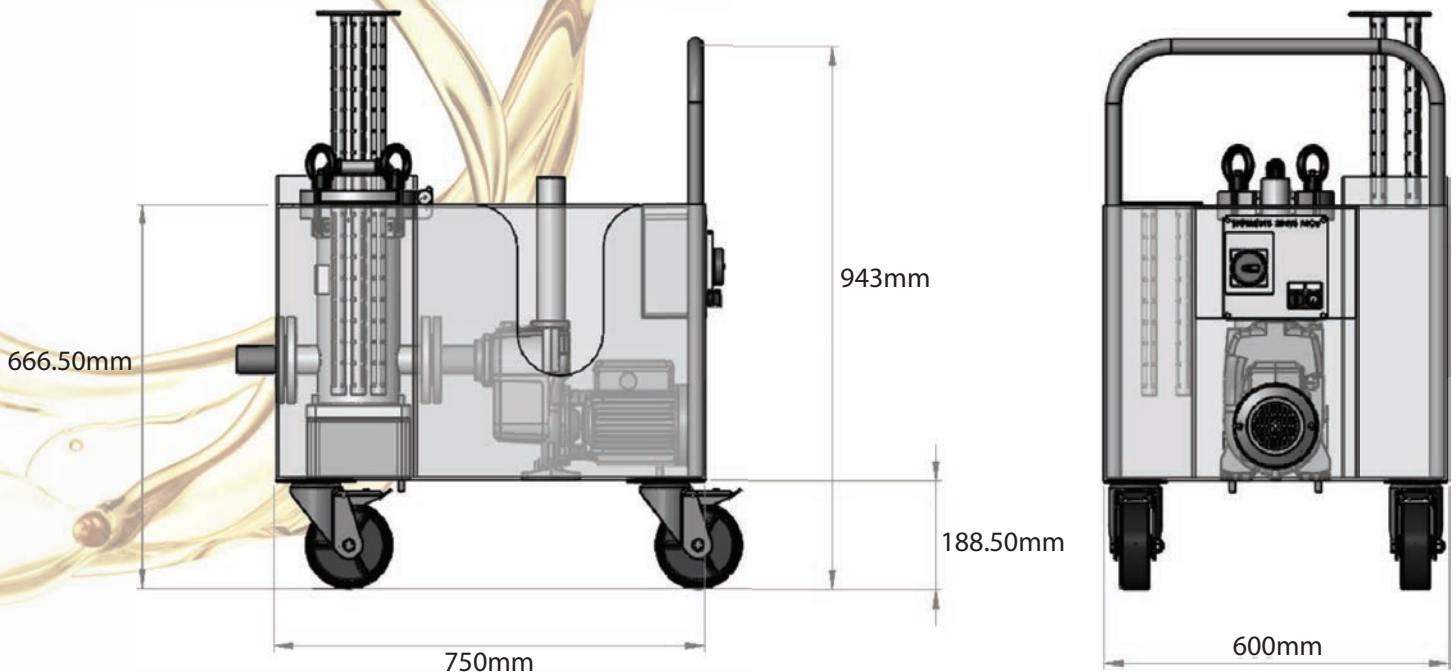
Pump: Self priming AM 40-110B, single phase, 230V, 50HZ

Power: 13 amp, 3 pin socket (other options available)

Hoses: 3m long inlet and outlet hoses included, made from oil resistant PVC material, supplied with Cam lock connections



Technical Data



In addition to Filtramag+ Mobile we also offer a range of other filtration options:-

Micromag



Flow rates
up to
150 litres
per minute

Compact magnetic filter for standard machine filtration, smaller wash stations.

Filtramag+



Flow rates
up to
500 litres
per minute

Filtramag+ is ideal for use in harsh chemical environments and wash systems.

Automag



Flow rates
up to
1800 litres
per minute

The fully automated unit with integral waste reclaim. Ideal for 24/7 high volume single or multi-cell machining applications.

AM32 Skid Engineered Solution



Flow rates
from
1200 - 20000+
litres
per minute

For large scale wash system applications. Fully automated cleaning system.

Ultrafiltrex



**PIPELINE
PROTECTION**

The high performance solution for gas and oil pipeline corrosion.

BoilerMag



**HEATING
SYSTEM
PROTECTION**

Removes black iron oxide from heating and cooling systems, improving efficiency, reducing CO2 emission and protecting boilers.

