



GOYEN

BULKHEAD CONNECTORS

PENTAIR CLEAN AIR SYSTEMS

GOYEN BULKHEAD CONNECTORS



BHD



BHDD



BHSS

DESCRIPTION

Goyen produces a range of aluminium diecast bulkhead connectors designed to ease the installation of cleaning systems onto dust collectors. These components eliminate the requirement for welding and allow easy removal of cleaning systems and blowtubes for maintenance purposes.

SUITABLE FOR

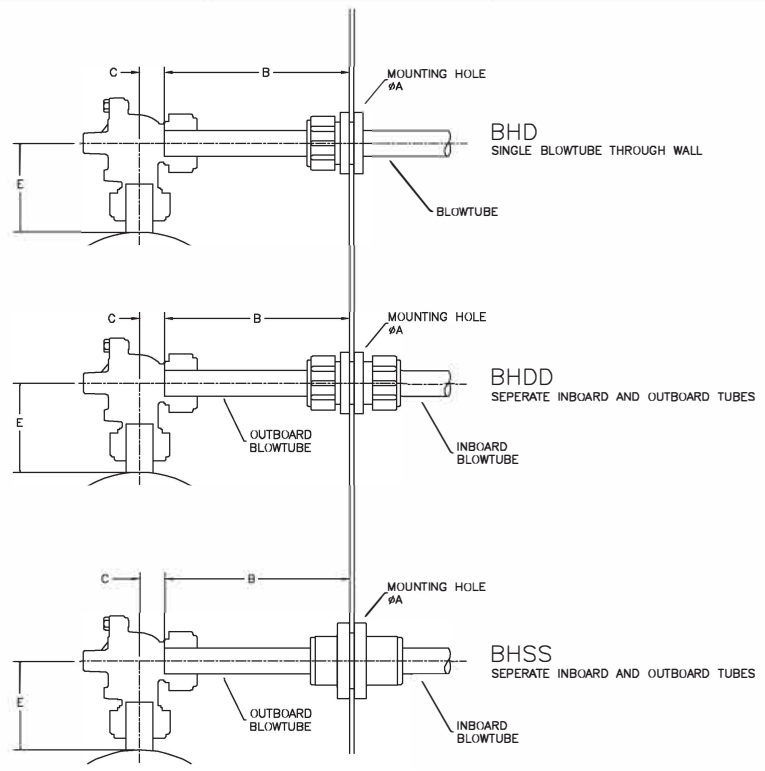
Most reverse pulse jet dust collector installations and their variations including bag filters, cartridge filters, envelope filters, ceramic filters, and sintered metal fibre filters.

1. Dresser nut and slide seal assemblies are for sealing purposes only and are not intended for valve or blowtube restraint.
2. Blowtubes and valves must be independently restrained.
3. Do not pressurise system until all valves are fully secured.
4. Fully relieve pressure before conducting any work on the cleaning system components.

INSTALLATION

MODEL	ØA MM (INCHES)	B MM (INCHES)
BH20D	45 – 51 (1.75 – 2.0)	97 (3.81)
BH25D	56 – 62 (2.2 – 2.4)	118 (4.63)
BH40D	72 – 78 (2.8 – 3.1)	157 (6.19)
BH20DD	45 – 51 (1.75 – 2.0)	97 (3.81)
BH25DD	56 – 62 (2.2 – 2.4)	118 (4.63)
BH40DD	72 – 78 (2.8 – 3.1)	157 (6.19)
BH25SS	56 – 62 (2.2 – 2.4)	118 (4.63)
BH45SS	72 – 78 (2.8 – 3.1)	157 (6.19)

MATING VALVE	C MM (INCHES)	E MM (INCHES)
20DD	22 (0.86)	105 (4.13)
25DD	30 (1.18)	121 (4.76)
45DD	40 (1.57)	155 (6.10)
20T	7 (0.28)	NA
25T	5 (0.20)	NA
45T	16 (0.63)	NA
20FS	34 (1.34)	66 (2.60)
25FS	67 (2.63)	82 (3.23)
45FS	88 (3.46)	96 (3.78)

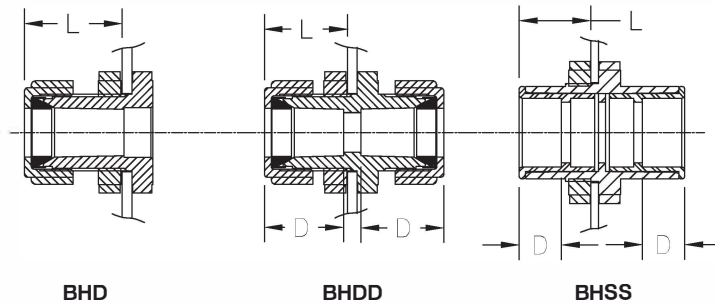


GOYEN BULKHEAD CONNECTORS

DIMENSIONS

(Dimensions in mm and [inches])

MODEL	L – LENGTH MM (INCHES)	D – INSERTION DEPTH MM (INCHES)
BH20D	51 [2.01]	Not applicable
BH25D	55 [2.17]	Not applicable
BH40D	72 [2.83]	Not applicable
BH20DD	52 [2.05]	48 [1.89]
BH25DD	55 [2.17]	52 [2.05]
BH40DD	72 [2.83]	58 [2.28]
BH25SS	52 [2.05]	30 [1.18]
BH45SS	51 [2.01]	30 [1.18]



ORDER CODE AND CHARACTERISTICS

ORDER CODE	NOM. PIPE SIZE MM (INCHES)	STYLE	MATERIAL	TEMPERATURE RANGE °C °(F)	UNIT MASS KG (LBS)
BH20D	20 (¾)	Single dresser nut	Diecast aluminium & nitrile	-40 [-40] to 80 [176]	0.27 [0.60]
BH20D-V	20 (¾)	Single dresser nut	Diecast aluminium & viton	-29 [-20.2] to 232 [449.6]	0.27 [0.60]
BH25D	25 (1)	Single dresser nut	Diecast aluminium & nitrile	-40 [-40] to 80 [176]	0.40 [0.88]
BH25D-V	25 (1)	Single dresser nut	Diecast aluminium & viton	-29 [-20.2] to 232 [449.6]	0.40 [0.88]
BH40D	40 (1.5)	Single dresser nut	Diecast aluminium & nitrile	-40 [-40] to 80 [176]	0.76 [1.68]
BH40D-V	40 (1.5)	Single dresser nut	Diecast aluminium & viton	-29 [-20.2] to 232 [449.6]	0.76 [1.68]
BH20DD	20 (¾)	Two dresser nuts	Diecast aluminium & nitrile	-40 [-40] to 80 [176]	0.41 [0.90]
BH20DD-V	20 (¾)	Two dresser nuts	Diecast aluminium & viton	-29 [-20.2] to 232 [449.6]	0.41 [0.90]
BH25DD	25 (1)	Two dresser nuts	Diecast aluminium & nitrile	-40 [-40] to 80 [176]	0.66 [1.46]
BH25DD-V	25 (1)	Two dresser nuts	Diecast aluminium & viton	-29 [-20.2] to 232 [449.6]	0.66 [1.46]
BH40DD	40 (1.5)	Two dresser nuts	Diecast aluminium & nitrile	-40 [-40] to 80 [176]	1.16 [2.56]
BH40DD-V	40 (1.5)	Two dresser nuts	Diecast aluminium & viton	-29 [-20.2] to 232 [449.6]	1.16 [2.56]
BH25SS	25 (1)	Slide seal	Diecast aluminium & EPDM	-40 [-40] to 80 [176]	0.53 [1.17]
BH25SS-V	25 (1)	Slide seal	Diecast aluminium & viton	-29 [-20.2] to 232 [449.6]	0.53 [1.17]
BHS25SS	25 (1)	Slide seal	316 stainless steel & viton	-29 [-20.2] to 232 [449.6]	1.5* [3.4]*
BH45SS	40 (1.5)	Slide seal	Diecast aluminium & EPDM	-40 [-40] to 80 [176]	0.85 [1.87]
BH45SS-V	40 (1.5)	Slide seal	Diecast aluminium & viton	-29 [-20.2] to 232 [449.6]	0.85 [1.87]
BHS45SS	40 (1.5)	Slide seal	316 stainless steel & viton	-29 [-20.2] to 232 [449.6]	2.5* [5.4]*

* Approximate mass only

GOYEN BULKHEAD SEAL CUP

INSTALLATION

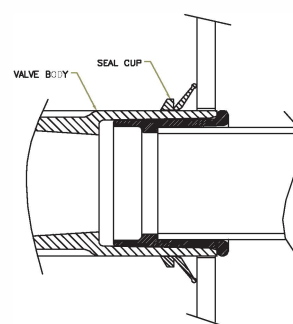
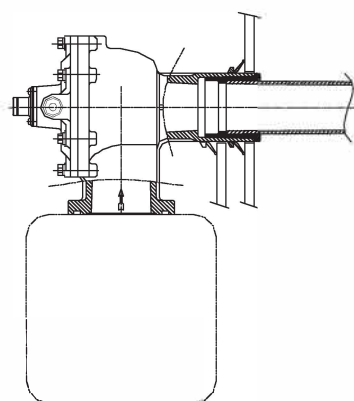


DESCRIPTION

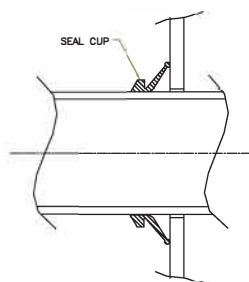
Goyen produces a range of EPDM and viton bulkhead seals designed to ease the installation of cleaning systems onto dust collectors. These components eliminate the requirement for welding and allow easy removal of cleaning systems and blowtubes for maintenance purposes.

SUITABLE FOR

Most reverse pulse jet dust collector installations and their variations including bag filters, cartridge filters, envelope filters, ceramic filters, and sintered metal fibre filters.



Valve to wall seal
Suitable for FS valves only



Blowtube to wall seal

ORDER CODE AND CHARACTERISTICS

ORDER CODE	STYLE	NOM. PIPE OD SCHEDULE 40	MATERIAL	TEMPERATURE RANGE °C (°F)	UNIT MASS KG (LBS)
690591	Valve to wall seal*	¾"	EPDM	-40 [-40] to 82 [179.6]	0.005
690591-2	Valve to wall seal*	¾"	Viton	-29 [-20.2] to 232 [449.6]	0.005
690125	Valve to wall seal*	1"	EPDM	-40 [-40] to 82 [179.6]	0.015
690125-2	Valve to wall seal*	1"	Viton	-29 [-20.2] to 232 [449.6]	0.015
690093	Valve to wall seal*	1½"	EPDM	-40 [-40] to 82 [179.6]	0.025
690093-2	Valve to wall seal*	1½"	Viton	-29 [-20.2] to 232 [449.6]	0.025
690593	Blowtube to wall seal	¾"	EPDM	-40 [-40] to 82 [179.6]	0.005
690593-2	Blowtube to wall seal	¾"	Viton	-29 [-20.2] to 232 [449.6]	0.005
690129	Blowtube to wall seal	1"	EPDM	-40 [-40] to 82 [179.6]	0.015
690129-2	Blowtube to wall seal	1"	Viton	-29 [-20.2] to 232 [449.6]	0.015
690094	Blowtube to wall seal	1½"	EPDM	-40 [-40] to 82 [179.6]	0.025
690094-2	Blowtube to wall seal	1½"	Viton	-29 [-20.2] to 232 [449.6]	0.025

*Suitable for FS valves only

The AVS logo is located in the top right corner of the page. It consists of the letters "AVS" in a bold, white, sans-serif font, set against a dark grey rectangular background.

CLEANAIRSYSTEMS.COM

© 2014 Pentair Clean Air Systems reserves the right to change product designs and specifications without notice.

Goyen Bulkhead Connectors Rev01 04/14