

AVS



GOYEN

PILOT VALVE ENCLOSURES FOR NON-HAZARDOUS LOCATIONS

PENTAIR CLEAN AIR SYSTEMS

GOYEN NEMA4/RAINTIGHT/ ATEX II 3 D G DIECAST PILOT VALVE ENCLOSURES (5, 8, 12 VALVE)

Diecast aluminium enclosures for Goyen RCA3D pilot valves, available optionally with anti-condensation heater.



3-5V Enclosure



3-8V Enclosure



3-12V Enclosure

For reliable operation, ensure supply voltage is within -10% and +15% of rated solenoid voltage.

To guarantee NEMA4 performance ensure gasket is in place when attaching lid to enclosure base. Replace components within 1 million cycles (refer to Spare Parts).

CONSTRUCTION

Body: Aluminium (diecast)
Pilot Body: Aluminium (diecast)
Ferrule: 305 SS

Armature: 430FR SS
Seals: Nitrile
Screws: 302 SS or 304 SS
Clip: Mild steel (plated)

OPERATION

Recommended on time range: 50-500 ms
Recommended time between pulses: 1 minute or greater

OPTIONS

Heater, see order code below.

PRODUCT PERFORMANCE

FLOW	MAXIMUM WORKING PRESSURE	MINIMUM WORKING PRESSURE	TEMPERATURE MIN	TEMPERATURE MAX	FLUID MEDIA
0.32 Cv	860 kPa	0 kPa	-40°C	82°C	Air or
0.27 Kv	125 psi	0 psi	-40°F	180°F	inert gas

Refer to Q Series Solenoid product specification for electrical performance details.

APPROVALS

- C-Tick
- CE – EMC (2004/108/EC) and LV (2006/95/EC)
- CSA
- UL Listed J&P 42V8
- ATEX Ex II 3 D G

Approvals do not apply when heaters or slave cards are installed.

SPARE PARTS

- K0380 Nitrile replacement seal, armature, spring & ferrule kit.
- K0384 As above in viton.
- RCA3D0-*** } Replacement pilot assemblies.
- RCA3D1-*** } Refer to page 3 of RCA3 Solenoid Pilot Valves brochure.

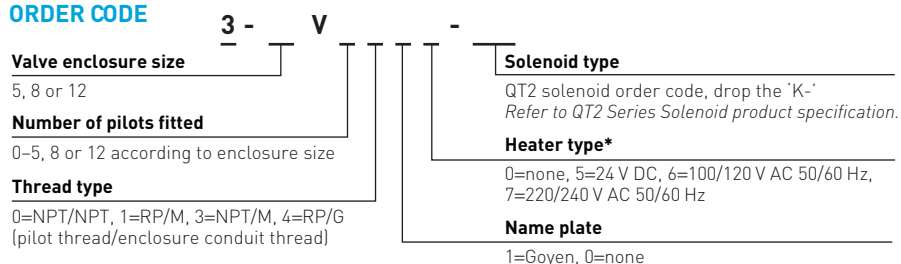
SUITABLE FOR

ATEX Category Ex II 3 GD and IP65 and all other non-hazardous applications, for piloting Goyen diaphragm valves.

INSTALLATION

Ensure device is disconnected from power before opening the enclosure. These enclosures are all finished with the common solenoid terminals pre-wired.

ORDER CODE



Example: 3-8V6010-330

8 valve enclosure, fitted with 6 pilots, with NPT pilot and conduit thread type, Goyen name plate, no heater and 220/240 V AC 50/60 Hz solenoids.

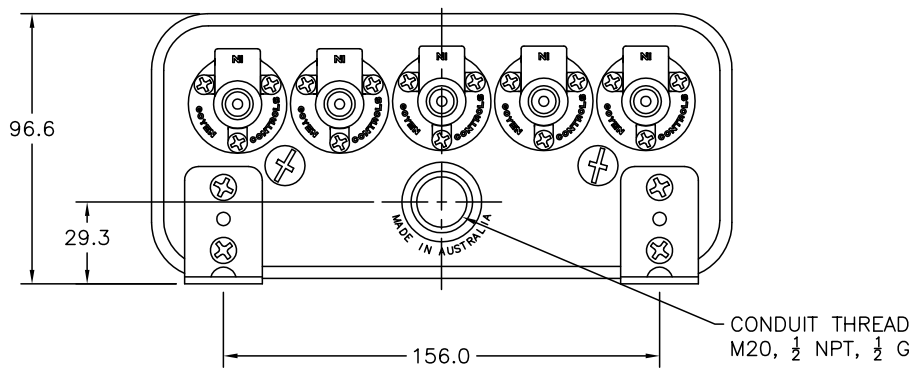
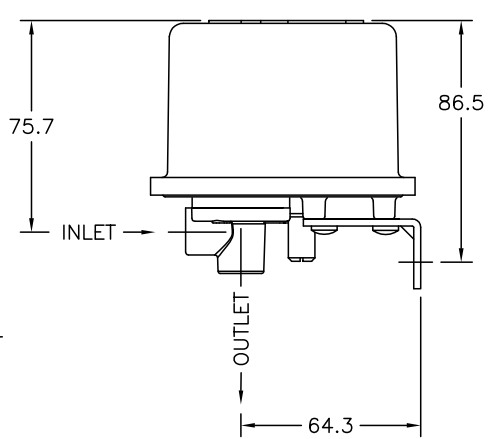
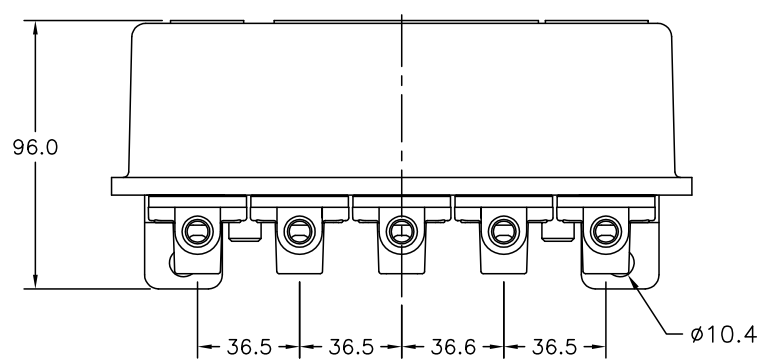
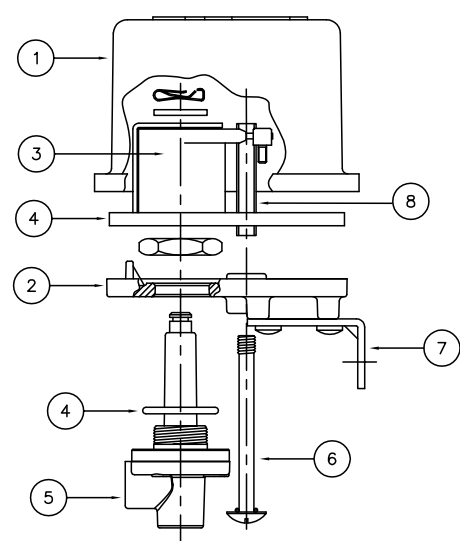
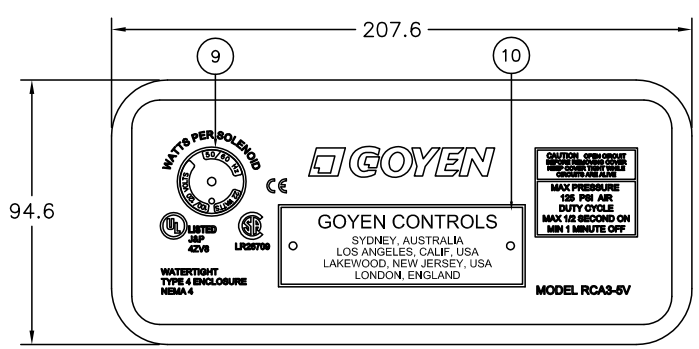
Note that enclosures are pre-wired with QT2 type solenoids only.
* = heaters currently not available in 3-5V5 enclosures.

GOYEN NEMA4/RAINTIGHT/ ATEX II 3 D G DIECAST PILOT VALVE ENCLOSURES (5, 8, 12 VALVE)

PILOT VALVES AND NEMA 4 ENCLOSURES

DIMENSIONS AND WEIGHTS

(Dimensions in mm)

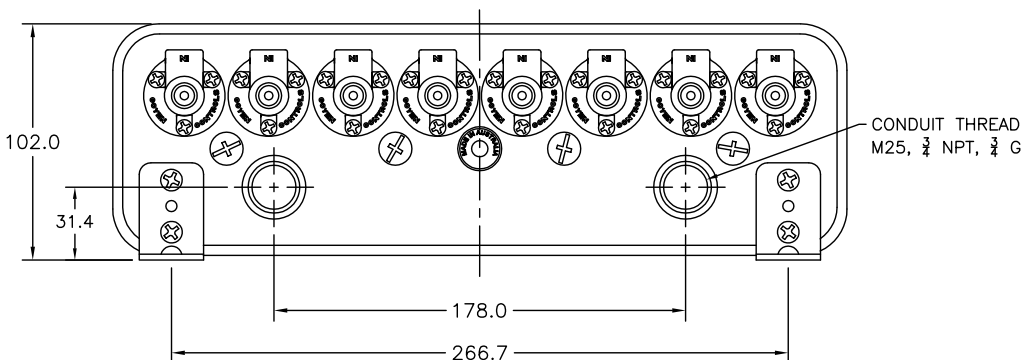
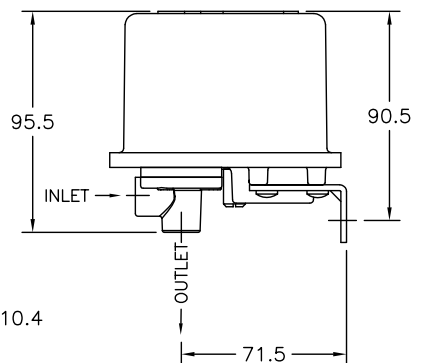
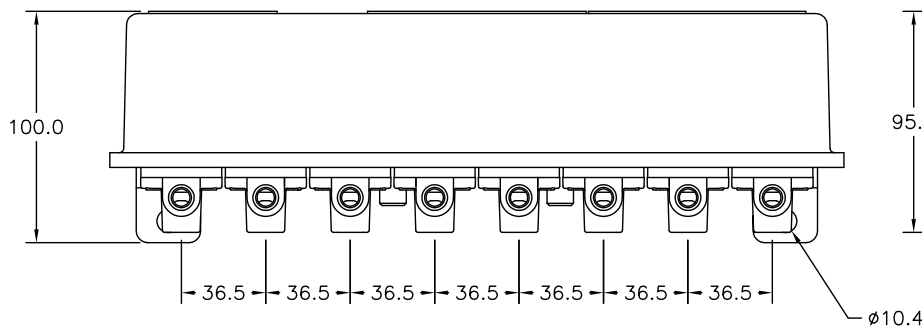
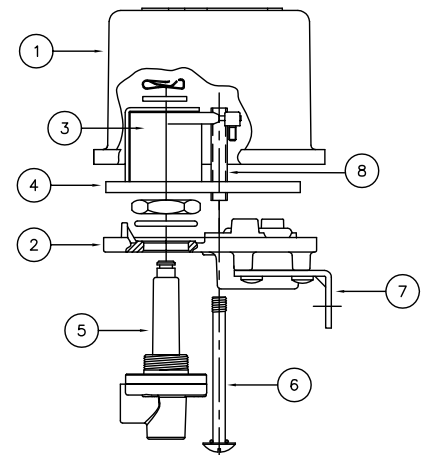
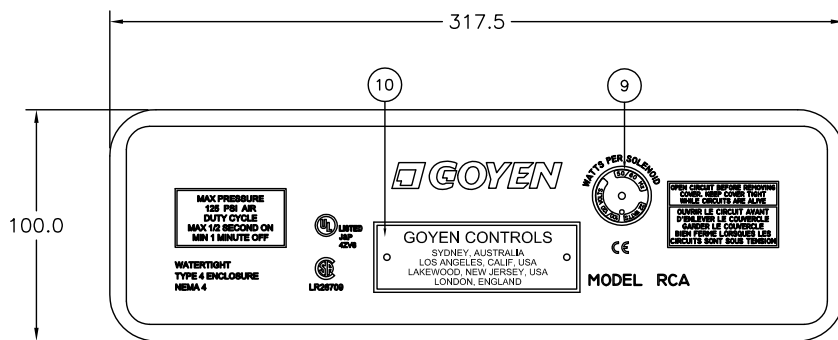


3-5V5 Series

Mass = 0.814 kg + 0.174 kg per valve pilot fitted
(1.795 lb + 0.384 lb per pilot valve fitted)

GOYEN NEMA4/RAINTIGHT/ ATEX II 3 D G DIECAST PILOT VALVE ENCLOSURES (5, 8, 12 VALVE)

PILOT VALVES AND NEMA 4 ENCLOSURES

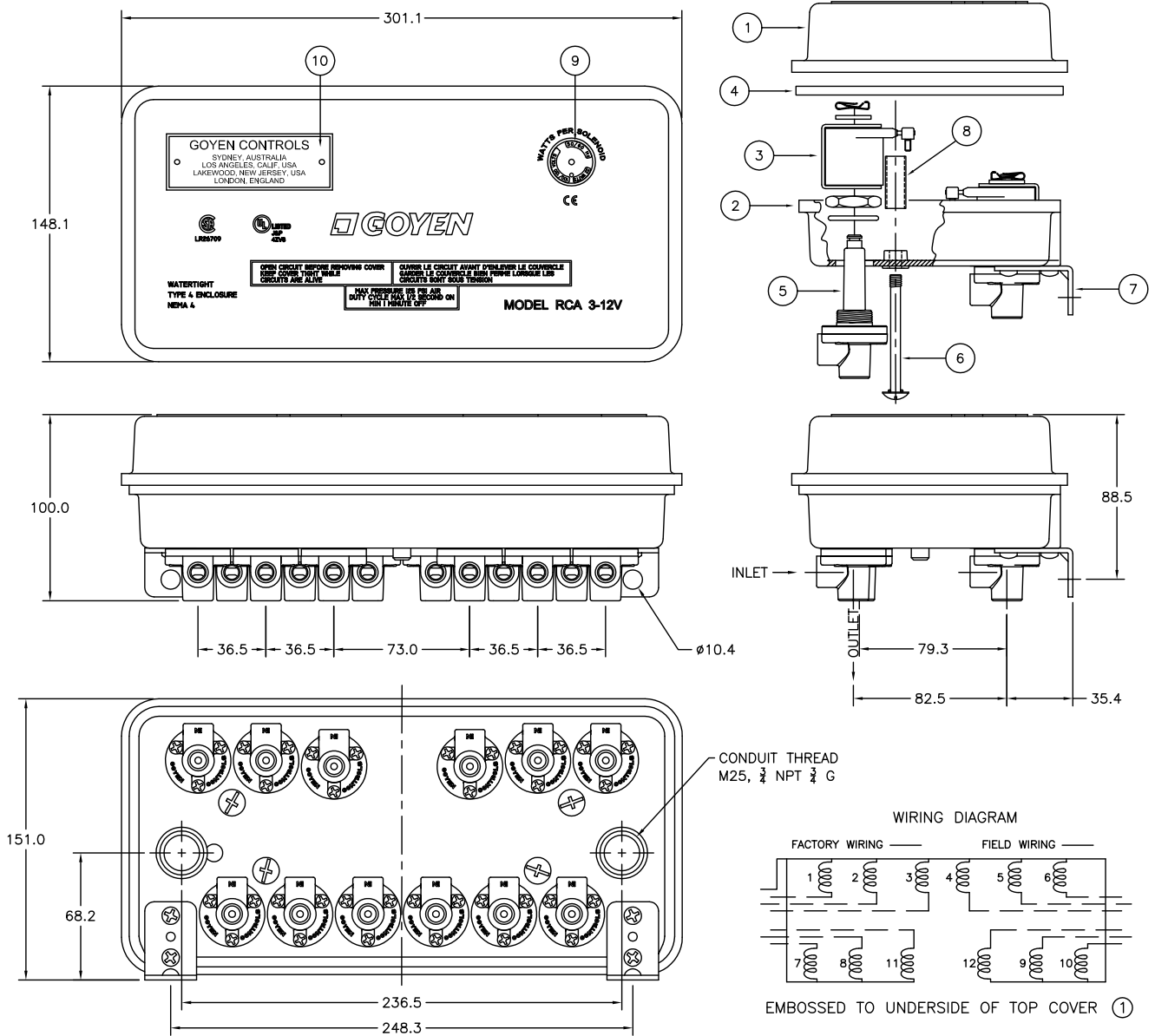


3-8V8

Mass = 1.280 kg + 0.174 kg per pilot valve fitted
(2.820 lb + 0.384 lb per pilot valve fitted)

GOYEN NEMA4/RAINTIGHT/ ATEX II 3 D G DIECAST PILOT VALVE ENCLOSURES (5, 8, 12 VALVE)

PILOT VALVES AND NEMA 4 ENCLOSURES



3-12V12

Mass = 1.574 kg + 0.174 kg per pilot valve fitted
(3.470 lb + 0.384 lb per pilot valve fitted)