

GOYEN B SERIES COILS

FOR USE WITH GOYEN INDUSTRIAL VALVES



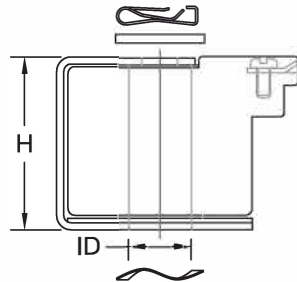
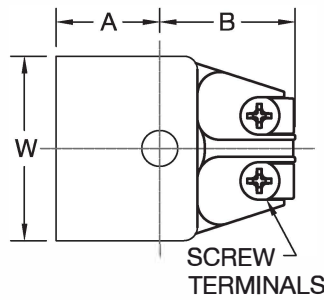
BD

DIMENSIONS

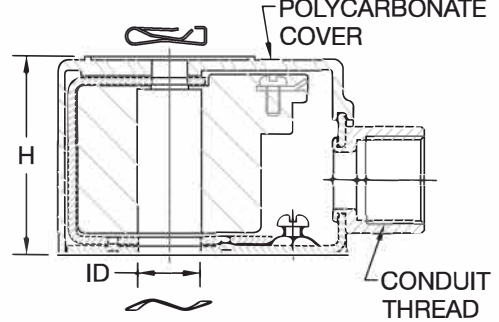
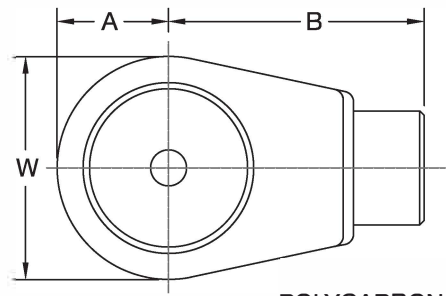
COIL STYLE	W		H		A		B		ID	
	MM	INCH	MM	INCH	MM	INCH	MM	INCH	MM	INCH
BC	41.5	1.63	39.0	1.54	22.8	0.90	31.7	1.25	14.0	0.55
BD	49.8	1.96	44.5	1.75	24.8	0.98	57.4	2.26	14.0	0.55
BF	41.5	1.63	39.0	1.54	22.8	0.90	23.0	0.91	14.0	0.55
BR	48.8	1.92	45.0	1.77	26.7	1.05	65.2	2.57	14.0	0.55



BC



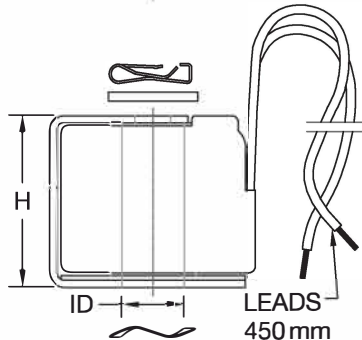
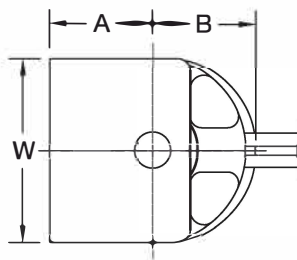
BC COIL



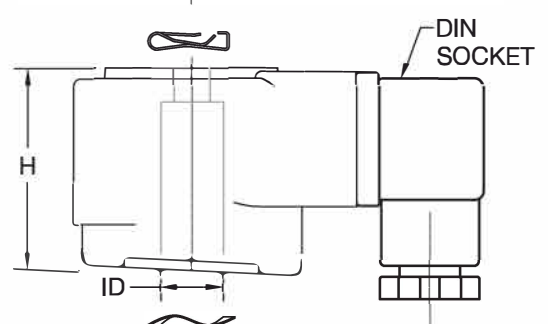
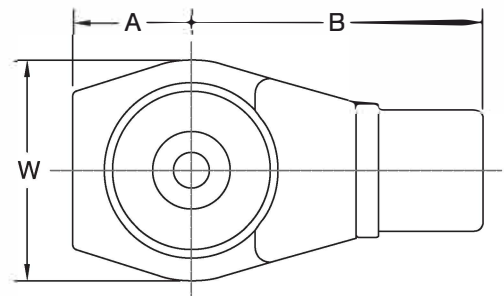
BD COIL



BF



BF COIL



BR COIL



BR

GOYEN COILS

FOR USE WITH GOYEN INDUSTRIAL VALVES

DESCRIPTION

Two sizes of coils are used with Goyen industrial valves: 'B' and 'Q'.

Coil size corresponds to the valve part number.

Examples:

12BW2 valves use B series coils.

1Q3M valves use Q series coils.

Ensure the coil electrical rating matches the valve design. Refer to the valve part number code to determine if the valve is designed for AC only or DC only.

All coils are rated for continuous use within the rated ambient temperature range.

Coils may be used in higher ambient temperatures with intermittent operation.

Exd housing (ANZEx) for explosive atmospheres available for B series valves. Refer to separate data page.

SPECIFICATIONS

Maximum ambient temperature:

40°C (104°F)

Duty Cycle: 100% (continuous use)

Maximum coil temperature rise:

90°C (194°F)

APPROVALS AND STANDARDS

ISO 9001 Quality Management System, Certificate: QEC0366

C-Tick Mark, Supplier Code: N282
CE Compliance to Directives 2006/95/EC and 2004/108/EC
RoHS Compliance to Directive 2002/95/EC

MATERIALS

B coil bobbin & encapsulation:

Polyamide 6 (glass filled)

Q coil bobbin & encapsulation:

Polyamide 66 (unfilled)

Winding wire: Copper, Polyester imide enamel

Terminals: Tin-plated brass

Lead wires: 18 AWG, Rated 105°C (UL type 1015)

Inserts, C-frames, Clips: Plated steel

B COILS – ELECTRICAL CHARACTERISTICS

COIL CODE*	VOLTS	HZ	INRUSH MA	HOLDING MA	WATTS
6*33	415	50	80	30	7
6*43	240	50	172	70	9
6*51	220/240	50/60	182/162	71/62	8
6*81	110/120	50/60	405/370	157/142	9
6*B5	48	60	1070	410	10
6*B3	48	50	980	380	8
6*C3	32	50	1260	520	8
6*21	24	50/60	2000/1720	830/660	10
6*D3	12	50	4040	1640	10
6*47	240	DC	–	48	12
6*97	110	DC	–	113	13
6*G7	74	DC	–	148	11
6*B7	48	DC	–	302	15
6*C7	32	DC	–	322	11
6*27	24	DC	–	596	15
6*D7	12	DC	–	1200	15

* Refer to coil connection code.

Q COILS – ELECTRICAL CHARACTERISTICS

COIL CODE*	VOLTS	HZ	INRUSH MA	HOLDING MA	WATTS
7*33	415	50	36	22	5
7*43	240	50	86	55	8
7*51	220/240	50/60	89/83	62/50	8
7*81	110/120	50/60	192/180	123/110	8
7*C1	32	50/60	590/490	370/285	8
7*23	24	50	800	520	8
7*25	24	60	822	510	8
7*D3	12	50	1238	788	8
7*47	240	DC	–	39	10
7*97	110	DC	–	81	9
7*G7	74	DC	–	116	9
7*B7	48	DC	–	188	9
7*C7	32	DC	–	262	9
7*27	24	DC	–	364	9
7*D7	12	DC	–	719	9

* Refer to coil connection code.

COIL CONNECTION CODE

CONNECTION STYLE	COIL TYPE	CONNECTION CODE	DESCRIPTION
DIN Connector IP65/NEMA 4	BR, QR	0	DIN Socket – plain
	BR, QR	G	DIN socket – indicator
	BR, QR	P	DIN socket – indicator and overload protection
Enclosure IP31/NEMA 1	BD, QD	1	M20 conduit, screw terminals
	BF	7	M20 conduit, flying leads
	BD, QD	2	1/2" NPSC conduit, screw terminals
	BF	8	1/2" NPSC conduit, flying leads
Open C-frame	BC, QT2	3	Open C-frame, screw terminals
	BF, QF	4	Open C-frame, flying leads
	Q2	5	Open C-frame, spade terminals
	QL	6	Open C-frame, 2-core cable