



60 scfm Eliminex® Combo

Specifications

Port Sizes	1/4", 3/8", 1/2"
Thread Styles	NPT, BSPT, BSPP
Flow Capacity	60 scfm @ 100 PSI
Filter Capacity	0.01 Micron & larger
Differential Pressure	< 2.5 PSID at rated flow
Max Temp/ Pressure	
Aluminum Bowl	175 °F/200 PSIG
Max Temp/ Pressure	
Polycarbonate Bowl	125 °F/150 PSIG
Approx. Weight (lb.)	7.0
ISO Class	1 Particulate/Oil

For higher pressure applications, consult factory.
 Units equipped with differential pressure indicator have max temperature and pressure of 125 °F and 150 PSIG, regardless of bowl material.

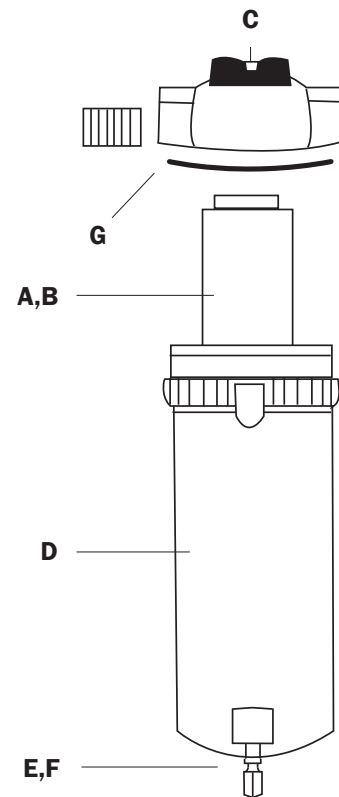


Water
Dirt
Oil
Oil Vapor
Odor

Replacement Parts & Accessories

Description	Part Number
A Replacement Element, 1st Stage	1P-060
B Replacement Element, 2nd Stage	3C-060
C Differential Pressure Indicator	N32-W1-DPI
C Blanking Cap (Cover for Indicator)	N32-95-020
D Bowl Assembly: Metal Bowl, Manual Petcock Drain, & O-ring	N34-95-205
D Bowl Assembly: Metal Bowl, Auto Float Drain, & O-ring	N34-95-201
D Bowl Assembly: Poly Bowl, Manual Petcock Drain, & O-ring*	N32-15-163
D Bowl Assembly: Poly Bowl, Auto Float Drain, & O-ring*	N32-15-164
E Manual Petcock Drain	PC-02
F Automatic Float Drain (Metal Bowl)	N32-95-979
F Automatic Brass Float Drain	N32-95-978
G Bowl O-ring	N32-95-257

*Poly bowls come with metal bowl guard



Order Guide

	Port Size	Model Number	
		Metal Bowl	Poly Bowl
Manual Brass Petcock Drain	1/4"	1P-060-M02-DCP	1P-060-P02-DCP
	3/8"	1P-060-M03-DCP	1P-060-P03-DCP
	1/2"	1P-060-M04-DCP	1P-060-P04-DCP
Automatic Float Drain	1/4"	1P-060-M02-DC	1P-060-P02-DC
	3/8"	1P-060-M03-DC	1P-060-P03-DC
	1/2"	1P-060-M04-DC	1P-060-P04-DC

Dimensions (inches)			
Height*		Width	Depth
Metal	Poly		
10.0	10.0	8.0	3.9
10.0	10.0	8.0	3.9
10.0	10.0	8.0	3.9
10.0	10.5	8.0	3.9
10.0	10.5	8.0	3.9
10.0	10.5	8.0	3.9

*To add an indicator, add "i" to end of model number (Indicator adds about 1" to height)





90/150/250 scfm Eliminox® Combo

Specifications

Port Sizes	½", ¾", 1"
Thread Styles	NPT, BSPT, BSPP
Flow Capacity	90/150/250 scfm @ 100 PSI
Filter Capacity	0.01 Micron & larger
Differential Pressure	< 2.5 PSID at rated flow
Max Temp/ Pressure	
Aluminum Bowl	175 °F/200 PSIG
Max Temp/ Pressure	
Polycarbonate Bowl	125 °F/150 PSIG
Approx. Weight (lb.)	12.0
ISO Class	1 Particulate/Oil

For higher pressure applications, consult factory.
Units equipped with differential pressure indicator have max temperature and pressure of 125 °F and 150 PSIG, regardless of bowl material.



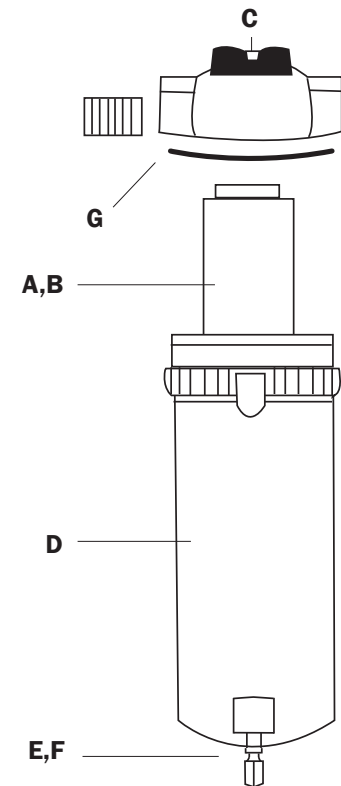
Water
Dirt
Oil
Oil Vapor
Odor

	Dimensions (inches)			
	Height*		Width	Depth
	Metal	Poly		
Manual Drain	17.0	14.0	10.0	4.6
Auto Float Drain	17.0	14.5	10.0	4.6

Replacement Parts & Accessories

Description	Part Number
A Replacement Element, 1st Stage	1P-090/1P-150/1P-250
B Replacement Element, 2nd Stage	3C-090/3C-150/3C-250
C Differential Pressure Indicator	N32-W1-DPI
C Blanking Cap (Cover for Indicator)	N32-95-020
D Bowl Assembly: Metal Bowl, Manual Petcock Drain, & O-ring	N34-15-180
D Bowl Assembly: Metal Bowl, Auto Float Drain, & O-ring	N34-15-178
D Bowl Assembly: Poly Bowl, Manual Petcock Drain, & O-ring*	N32-15-167
D Bowl Assembly: Poly Bowl, Auto Float Drain, & O-ring*	N32-15-166
E Manual Petcock Drain (Metal Bowl)	PC-03
E Manual Petcock Drain (Poly Bowl)	N32-95-182
F Automatic Plastic Float Drain (Metal Bowl)	N32-95-979
F Automatic Brass Float Drain	N32-95-978
G Bowl O-ring	N32-95-256

*Poly bowls come with metal bowl guard



Order Guide

	Port Size	Model Number					
		Metal Bowl			Poly Bowl		
		Low Flow	Med Flow	High Flow	Low Flow	Med Flow	High Flow
Manual Brass Petcock Drain	½"	1P-090-M04-DCP	1P-150-M04-DCP	1P-250-M04-DCP	1P-090-P04-DCP	1P-150-P04-DCP	1P-250-P04-DCP
	¾"	1P-090-M06-DCP	1P-150-M06-DCP	1P-250-M06-DCP	1P-090-P06-DCP	1P-150-P06-DCP	1P-250-P06-DCP
	1"	1P-090-M08-DCP	1P-150-M08-DCP	1P-250-M08-DCP	1P-090-P08-DCP	1P-150-P08-DCP	1P-250-P08-DCP
Automatic Float Drain	½"	1P-090-M04-DC	1P-150-M04-DC	1P-250-M04-DC	1P-090-P04-DC	1P-150-P04-DC	1P-250-P04-DC
	¾"	1P-090-M06-DC	1P-150-M06-DC	1P-250-M06-DC	1P-090-P06-DC	1P-150-P06-DC	1P-250-P06-DC
	1"	1P-090-M08-DC	1P-150-M08-DC	1P-250-M08-DC	1P-090-P08-DC	1P-150-P08-DC	1P-250-P08-DC

*To add an indicator, add "i" to end of model number (Indicator adds about 1" to height)



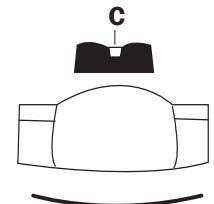
Specifications

Port Sizes	1¼", 1½", 2"
Thread Styles	NPT, BSPT, BSPP
Flow Capacity	300/400/ 700 scfm @ 100 PSI
Filter Capacity	0.01 Micron & larger
Differential Pressure	< 2.5 PSID at rated flow
Max Temp/ Pressure	
Aluminum Bowl	175° F/200 PSIG
Approx. Weight (lb.)	58.0/60.0/64.0
ISO Class	1 Particulate/Oil

For higher pressure applications, consult factory.
Units equipped with differential pressure indicator have max temperature and pressure of 125° F and 150 PSIG, regardless of bowl material.

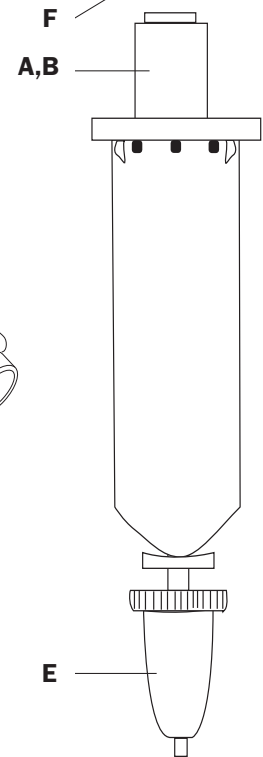
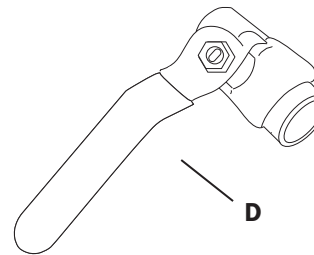


Water
Dirt
Oil
Oil Vapor
Odor



Replacement Parts & Accessories

Description	Part Number
A Replacement Element, 1st Stage	1M-300/1M-400/1M-700
B Replacement Element, 2nd Stage	3C-300/3C-400/ 3C-700
C Differential Pressure Indicator	N32-W1-DPI
C Blanking Cap (Cover for Indicator)	N32-95-020
D Manual Drain, Ball Valve	BV-051
E Automatic Float Drain	N32-95-XD8
F Bowl O-ring	N32-F35-OR



Order Guide

	Port Size	Model Number			Dimensions (inches)		
		Low Flow	Med Flow	High Flow	Height*	Width	Depth
Manual Brass Petcock Drain	1¼"	1M-300-M10-DCP	1M-400-M10-DCP	1M-700-M10-DCP	28.0	16.5	7.8
	1½"	1M-300-M12-DCP	1M-400-M12-DCP	1M-700-M12-DCP	28.0	16.8	7.8
	2"	1M-300-M16-DCP	1M-400-M16-DCP	1M-700-M16-DCP	28.0	17.0	7.8
Automatic Float Drain	1¼"	1M-300-M10-DC	1M-400-M10-DC	1M-700-M10-DC	32.0	16.5	7.8
	1½"	1M-300-M12-DC	1M-400-M12-DC	1M-700-M12-DC	32.0	16.8	7.8
	2"	1M-300-M16-DC	1M-400-M16-DC	1M-700-M16-DC	32.0	17.0	7.8

*To add an indicator, add "i" to end of model number (Indicator adds about 1" to height)



1200 scfm Eliminex® Combo

Specifications

Port Sizes	3"
Thread Styles	NPT
Flow Capacity	1200 scfm @ 100 PSI
Filter Capacity	0.01 Micron & larger
Differential Pressure	< 2.5 PSID at rated flow
Max Temp/ Pressure	
Aluminum Bowl	175 ° F/200 PSIG (manual drain) 175 ° F/150 PSIG (float drain)
Approx. Weight (lb.)	76.0
ISO Class	1 Particulate/Oil

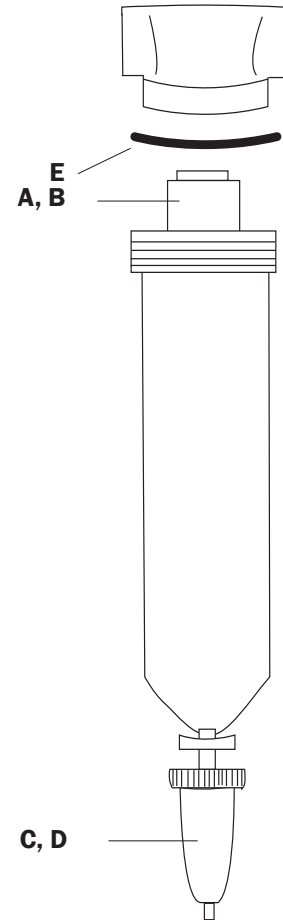
For higher pressure units, consult factory.



Water
Dirt
Oil
Oil Vapor
Odor

Replacement Parts & Accessories

Description	Part Number
A Replacement Element	1M-1200
B Replacement Element, 2nd Stage	3C-1200
C Manual Drain, Ball Valve	BV-051
D Automatic Float Drain	N32-95-XD8
E Bowl O-ring	PHC-032



Order Guide

	Port Size	Model Number	Dimensions (inches)		
			Height	Width	Depth
Manual Brass Petcock Drain	3"	1M-1200-M24-DCP	40.0	17.0	7.3
Automatic Float Drain	3"	1M-1200-M24-DC	44.0	17.0	7.3



Specifications

Port Sizes	3", 4", 6" RFSO
Connection	Raised face 150# Flange
Flow Capacity	1900/3000 scfm @ 100 PSI
Filter Capacity	0.01 Micron & larger
Differential Pressure	< 2.5 PSID at rated flow
Max Temp/ Pressure	
Epoxy Coated Carbon Steel	150 °F/200 PSIG
Approx. Weight (lb.)	600/620/900
ISO Class	1 Particulate/Oil

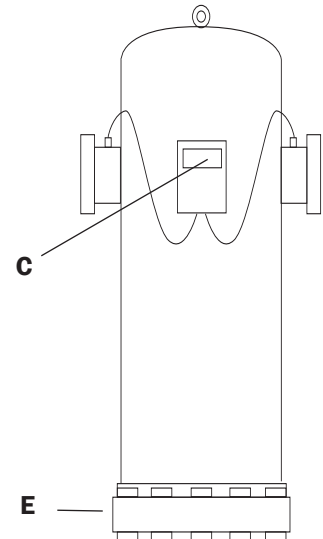
For higher pressure applications, consult factory.
Units equipped with external auto drain have max temperature and pressure of 150°F and 150 PSIG.



Water
Dirt
Oil
Oil Vapor
Odor

Replacement Parts & Accessories

Description	Part Number
A Replacement Element	1X-2500/1X-5500
B Replacement Element	3C-1900/3C-3000
C Differential Pressure Indicator	N32-P2-DPi
D Manual Drain, Ball Valve	BV-051
E External Float Drain	N32-95-XD8



Note:
All 1900 scfm units require a minimum of 25" clearance between bottom of housing and floor for installation.
All 3000 scfm units require a minimum of 36" clearance between bottom of housing and floor for installation.

Order Guide

	Port Size	Model Number	Dimensions (inches)		
			Height	Width	Depth
Manual Brass Petcock Drain	3"	1M-1900-MFD-DCP	50.2	40.1	16.0
	4"	1M-1900-MFE-DCP	50.2	40.1	16.0
	6"	1M-3000-MFF-DCP	68.0	46.9	19.0
Automatic Float Drain	3"	1M-1900-MFD-DCX	54.2	40.1	16.0
	4"	1M-1900-MFE-DCX	54.2	40.1	16.0
	6"	1M-3000-MFF-DCX	72.0	46.9	19.0

Indicator included as standard with metal bowl units.