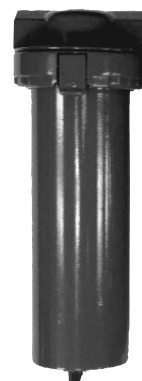


Specifications

Port Sizes	1/4", 3/8", 1/2"
Thread Styles	NPT, BSPT, BSPP
Flow Capacity	60 scfm @ 100 PSI
Filter Capacity	3.0 Micron & larger
Differential Pressure	< 1.5 PSID at rated flow
Max Temp/ Pressure Aluminum Bowl	175 °F/200 PSIG
Max Temp/ Pressure Polycarbonate Bowl	125 °F/150 PSIG
Approx. Weight (lb.)	3.5
ISO Class	3 Particulate

For higher pressure applications, consult factory.
Units equipped with differential pressure indicator have max temperature and pressure of 125 °F and 150 PSIG, regardless of bowl material.

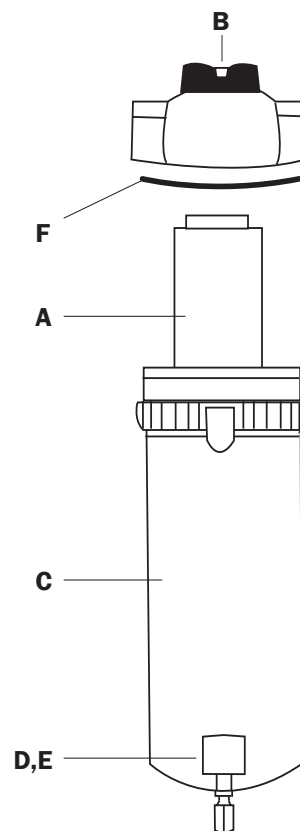


Water
Dirt
Oil
Oil Vapor
Odor

Replacement Parts & Accessories

Description	Part Number
A Replacement Element	1P-060
B Differential Pressure Indicator	N32-W1-DPI
B Blanking Cap (Cover for Indicator)	N32-95-020
C Bowl Assembly: Metal Bowl, Manual Petcock Drain, & O-ring	N34-95-205
C Bowl Assembly: Metal Bowl, Auto Float Drain, & O-ring	N34-95-201
C Bowl Assembly: Poly Bowl & Manual Petcock Drain*	N32-15-163
C Bowl Assembly: Poly Bowl & Auto Float Drain*	N32-15-164
D Manual Petcock Drain	PC-02/PC-03
E Automatic Float Drain (Metal Bowl)	N32-95-979
E Automatic Brass Float Drain (Poly Bowl)	N32-95-978
F Bowl O-ring	N32-95-257

*Poly bowls come with metal bowl guard



Order Guide

	Port Size	Model Number	
		Metal Bowl	Poly Bowl
Manual Brass Petcock Drain	1/4"	1P-060-M02-P	1P-060-P02-P
	3/8"	1P-060-M03-P	1P-060-P03-P
	1/2"	1P-060-M04-P	1P-060-P04-P

Automatic Float Drain	1/4"	1P-060-M02-F	1P-060-P02-F
	3/8"	1P-060-M03-F	1P-060-P03-F
	1/2"	1P-060-M04-F	1P-060-P04-F

Dimensions (inches)			
Height*		Width	Depth
Metal	Poly		
10.0	10.0	3.9	3.9
10.0	10.0	3.9	3.9
10.0	10.0	3.9	3.9

10.0	10.5	3.9	3.9
10.0	10.5	3.9	3.9
10.0	10.5	3.9	3.9

*To add an indicator, add "i" to end of model number (Indicator adds about 1" to height)

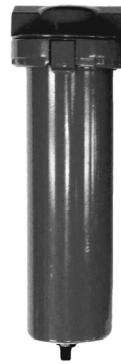


120/175/250 scfm Eliminox®

Specifications

Port Sizes	1/2", 3/4", 1"
Thread Styles	NPT, BSPT, BSPP
Flow Capacity	120/175/250 scfm @ 100 PSI
Filter Capacity	3.0 Micron & larger
Differential Pressure	< 1.5 PSID at rated flow
Max Temp/ Pressure	
Aluminum Bowl	175 °F/200 PSIG
Max Temp/ Pressure	
Polycarbonate Bowl	125 °F/150 PSIG
Approx. Weight (lb.)	6.0
ISO Class	3 Particulate

For higher pressure applications, consult factory.
Units equipped with differential pressure indicator have max temperature and pressure of 125 °F and 150 PSIG, regardless of bowl material.



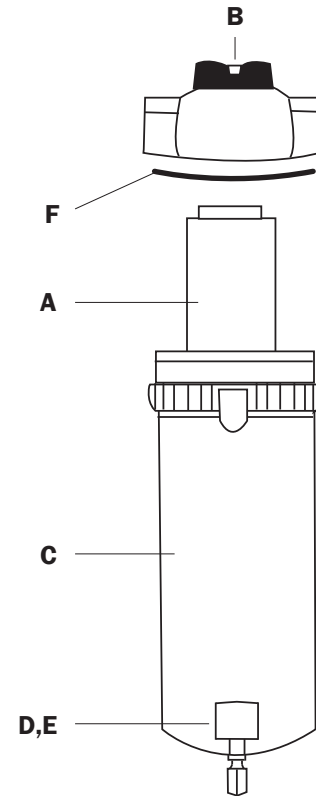
	Dimensions (inches)			
	Height*		Width	Depth
	Metal	Poly		
Manual Brass Petcock Drain	17.0	14.0	4.6	4.8
Automatic Float Drain	17.0	14.5	4.6	4.8

Water
Dirt
Oil
Oil Vapor
Odor

Replacement Parts & Accessories

Description	Part Number
A Replacement Element	1P-120/1P-175/1P-250
B Differential Pressure Indicator	N32-W1-DPI
B Blanking Cap (Cover for Indicator)	N32-95-020
C Bowl Assembly: Metal Bowl, Manual Petcock Drain, & O-ring	N34-15-180
C Bowl Assembly: Metal Bowl, Auto Float Drain & O-ring	N34-15-178
C Bowl Assembly: Poly Bowl, Manual Petcock Drain, & O-ring*	N32-15-167
C Bowl Assembly: Poly Bowl, Auto Float Drain & O-ring*	N32-15-166
D Manual Petcock Drain	PC-03
E Automatic Float Drain (Metal Bowl)	N32-95-979
E Automatic Brass Float Drain (Poly Bowl)	N32-95-978
F Bowl O-ring	N32-95-256

*Poly bowls come with metal bowl guard



Order Guide

	Port Size	Model Number					
		Metal Bowl			Poly Bowl		
		Low Flow	Med Flow	High Flow	Low Flow	Med Flow	High Flow
Manual Brass Petcock Drain	1/2"	1P-120-M04-P	1P-175-M04-P	1P-250-M04-P	1P-120-P04-P	1P-175-P04-P	1P-250-P04-P
	3/4"	1P-120-M06-P	1P-175-M06-P	1P-250-M06-P	1P-120-P06-P	1P-175-P06-P	1P-250-P06-P
	1"	1P-120-M08-P	1P-175-M08-P	1P-250-M08-P	1P-120-P08-P	1P-175-P08-P	1P-250-P08-P
Automatic Float Drain	1/2"	1P-120-M04-F	1P-175-M04-F	1P-250-M04-F	1P-120-P04-F	1P-175-P04-F	1P-250-P04-F
	3/4"	1P-120-M06-F	1P-175-M06-F	1P-250-M06-F	1P-120-P06-F	1P-175-P06-F	1P-250-P06-F
	1"	1P-120-M08-F	1P-175-M08-F	1P-250-M08-F	1P-120-P08-F	1P-175-P08-F	1P-250-P08-F

*To add an indicator, add "i" to end of model number (Indicator adds about 1" to height)



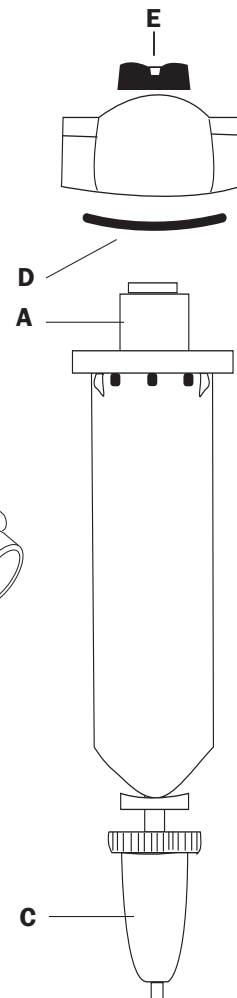
Specifications

Port Sizes	1¼", 1½", 2"
Thread Styles	NPT, BSPT, BSPP
Flow Capacity	300/400/700 scfm @ 100 PSI
Filter Capacity	3.0 Micron & larger
Differential Pressure	< 1.5 PSID at rated flow
Max Temp/ Pressure	
Aluminum Bowl	175 °F/200 PSIG
Approx. Weight (lb.)	30.0
ISO Class	3 Particulate

For higher pressure applications, consult factory.
 Units equipped with differential pressure indicator have max temperature and pressure of 125 °F and 150 PSIG, regardless of bowl material.

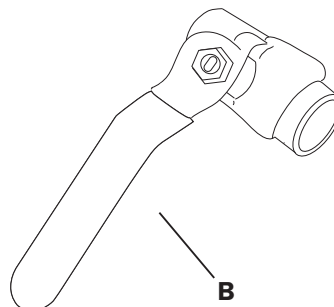


Water
Dirt
Oil
Oil Vapor
Odor



Replacement Parts & Accessories

Description	Part Number
A Replacement Element	1M-300/1M-400/1M-700
B Manual Drain, Ball Valve	BV-051
C Automatic Float Drain	N32-95-XD8
D Bowl O-ring	N32-F35-OR
E Differential Pressure Indicator (Optional)	N32-W1-DPI



Order Guide

	Port Size	Model Number			Dimensions (inches)		
		Low Flow	Med Flow	High Flow	Height*	Width	Depth
Manual Brass Petcock Drain	1¼"	1M-300-M10-P	1M-400-M10-P	1M-700-M10-P	28.0	7.8	7.8
	1½"	1M-300-M12-P	1M-400-M12-P	1M-700-M12-P	28.0	7.8	7.8
	2"	1M-300-M16-P	1M-400-M16-P	1M-700-M16-P	28.0	7.8	7.8
External Automatic Float Drain	1¼"	1M-300-M10-F	1M-400-M10-F	1M-700-M10-F	32.0	7.8	7.8
	1½"	1M-300-M12-F	1M-400-M12-F	1M-700-M12-F	32.0	7.8	7.8
	2"	1M-300-M16-F	1M-400-M16-F	1M-700-M16-F	32.0	7.8	7.8

*To add an indicator, add "I" to end of model number (Indicator adds about 1" to height)



1200 scfm Eliminex®

Specifications

Port Sizes	3"
Thread Styles	NPT
Flow Capacity	1200 scfm @ 100 PSI
Filter Capacity	3.0 Micron & larger
Differential Pressure	< 1.5 PSID at rated flow
Max Temp/ Pressure	
Aluminum Bowl	175° F/200 PSIG (manual drain) 175° F/150 PSIG (float drain)
Approx. Weight (lb.)	38.0
ISO Class	3 Particulate

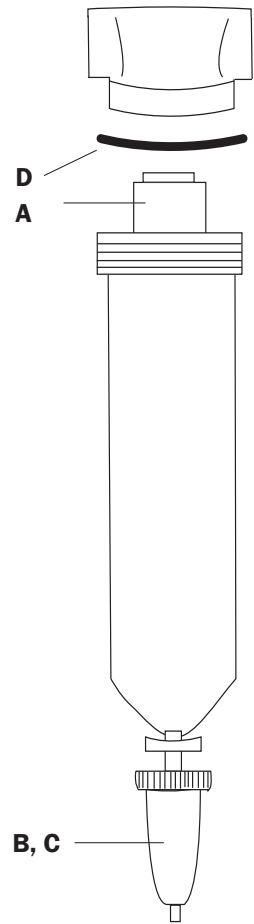
For higher pressure units, consult factory.



Water
Dirt
Oil
Oil Vapor
Odor

Replacement Parts & Accessories

Description	Part Number
A Replacement Element	1M-1200
B Manual Drain, Ball Valve	BV-051
C Automatic Float Drain	N32-95-XD8
D Bowl O-ring	PHC-032



Order Guide

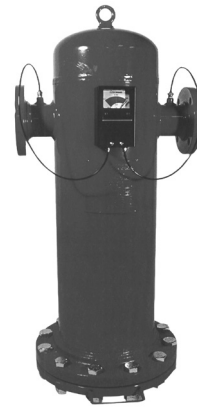
	Port Size	Model Number	Dimensions (inches)		
			Height	Width	Depth
Manual Brass Petcock Drain	3"	1M-1200-M24-P	40.0	8.0	7.3
Automatic Float Drain	3"	1M-1200-M24-F	44.0	8.0	7.3



Specifications

Port Sizes	3", 4", 6" RFSO
Connection	Raised face 150# Flange
Flow Capacity	2500/5500 scfm @ 100 PSI
Filter Capacity	3.0 Micron & larger
Differential Pressure	< 1.5 PSID at rated flow
Max Temp/ Pressure	
Epoxy Coated Carbon Steel	150 °F/200 PSIG
Approx. Weight (lb.)	300/310/450
ISO Class	3 Particulate

For higher pressure applications, consult factory.
 Units equipped with an external auto drain
 have max temperature and pressure of 150 °F
 and 150 PSIG.

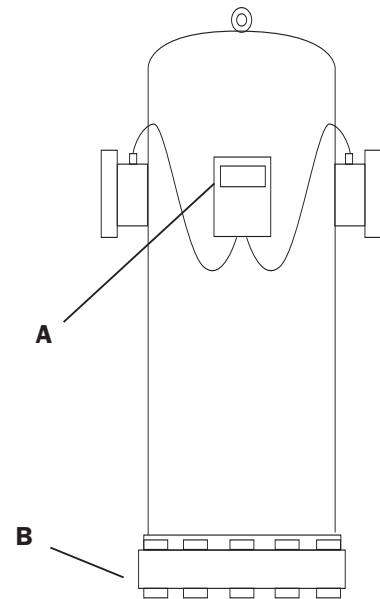


Water
Dirt
Oil
Oil Vapor
Odor

Replacement Parts & Accessories

Description	Part Number
A Differential Pressure Indicator	N32-P2-DPi
B External Float Drain	N32-95-XD8
Manual Drain, Ball Valve	BV-051
Replacement Element	1X-2500/1X-5500

Note:
 All 1M-2500 units require a minimum of 25" clearance between
 bottom of housing and floor for installation.
 All 1M-5500 units require a minimum of 36" clearance between
 bottom of housing and floor for installation.



Order Guide

	Port Size	Model Number (ASME Vessel)	Dimensions (inches)		
			Height	Width	Depth
Manual Brass Petcock Drain	3"	1M-2500-MFD-P	50.2	20.0	16.0
	4"	1M-2500-MFE-P	50.2	20.0	16.0
	6"	1M-5500-MFF-P	68.0	23.4	19.0
Automatic Float Drain	3"	1M-2500-MFD-X	54.2	20.0	16.0
	4"	1M-2500-MFE-X	54.2	20.0	16.0
	6"	1M-5500-MFF-X	72.0	23.4	19.0

Indicator is included as standard with these powder coated steel units.