

## Specifications

<b>Port Sizes</b>	1/4", 3/8"
<b>Thread Styles</b>	NPT, BSPT, BSPP
<b>Flow Capacity</b>	20 scfm @ 100 PSI
<b>Filter Capacity</b>	0.01 Micron & larger
<b>Differential Pressure</b>	< 5.0 PSID at rated flow
<b>Max Temp/ Pressure</b>	
<b>Aluminum Bowl</b>	175 °F/200 PSIG
<b>Max Temp/ Pressure</b>	
<b>Polycarbonate Bowl</b>	125 °F/150 PSIG
<b>Approx. Weight (lb.)</b>	4.0
<b>ISO Class</b>	1 Particulate/Oil

For higher pressure applications, consult factory.  
Units equipped with differential pressure indicator have max temperature and pressure of 125 °F and 150 PSIG, regardless of bowl material.

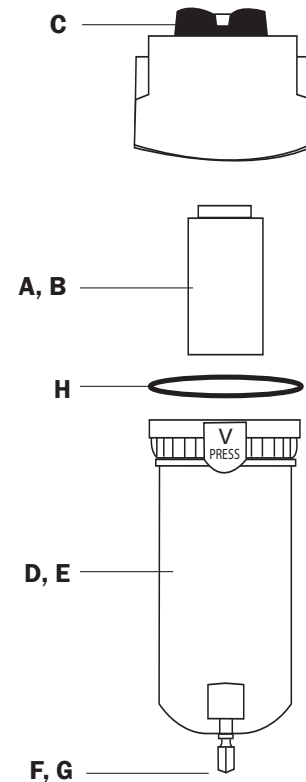


**Water**  
**Dirt**  
**Oil**  
**Oil Vapor**  
**Odor**

## Replacement Parts & Accessories

Description	Part Number
<b>A</b> Replacement Element, 1st Stage	3P-020
<b>B</b> Replacement Element, 2nd Stage	3C-020
<b>C</b> Differential Pressure Indicator	N32-W1-DPI
<b>C</b> Blanking Cap (Cover for Indicator)	N32-95-020
<b>D</b> Bowl Assembly: Metal Bowl, Manual Petcock Drain, & O-ring	N32-95-178
<b>D</b> Bowl Assembly: Metal Bowl, Auto Float Drain, & O-ring	N32-95-950
<b>E</b> Bowl Assembly: Poly Bowl, Manual Petcock Drain, & O-ring*	N32-15-159
<b>E</b> Bowl Assembly: Poly Bowl, Auto Float Drain, & O-ring*	N32-15-160
<b>F</b> Manual Petcock Drain	N32-95-182
<b>G</b> Automatic Plastic Float Drain (Metal Bowl)	N32-95-973
<b>G</b> Automatic Brass Float Drain (Poly Bowl)	N32-95-978
<b>H</b> Bowl O-ring	N32-95-009

\*Poly bowls come with metal bowl guard



## Order Guide

	Port Size	Model Number		Dimensions (inches)		
		Metal Bowl	Poly Bowl	Height*	Width	Depth
<b>Manual Brass Petcock Drain</b>	1/4"	3P-020-M02-DCP	3P-020-P02-DCP	6.8	6.5	2.7
	3/8"	3P-020-M03-DCP	3P-020-P03-DCP	6.8	6.5	2.7
<b>Automatic Float Drain</b>	1/4"	3P-020-M02-DC	3P-020-P02-DC	6.8	6.5	2.7
	3/8"	3P-020-M03-DC	3P-020-P03-DC	6.8	6.5	2.7

\*To add an indicator, add "I" to end of model number (Indicator adds about 1" to height)

## Specifications

<b>Port Sizes</b>	1/4", 3/8", 1/2"
<b>Thread Styles</b>	NPT, BSPT, BSPP
<b>Flow Capacity</b>	60 scfm @ 100 PSI
<b>Filter Capacity</b>	0.01 Micron & larger
<b>Differential Pressure</b>	< 5.0 PSID at rated flow
<b>Max Temp/ Pressure</b>	
<b>Aluminum Bowl</b>	175 °F/200 PSIG
<b>Max Temp/ Pressure</b>	
<b>Polycarbonate Bowl</b>	125 °F/150 PSIG
<b>Approx. Weight (lb.)</b>	7.0
<b>ISO Class</b>	1 Particulate/Oil

For higher pressure applications, consult factory.  
Units equipped with differential pressure indicator have max temperature and pressure of 125 °F and 150 PSIG, regardless of bowl material.

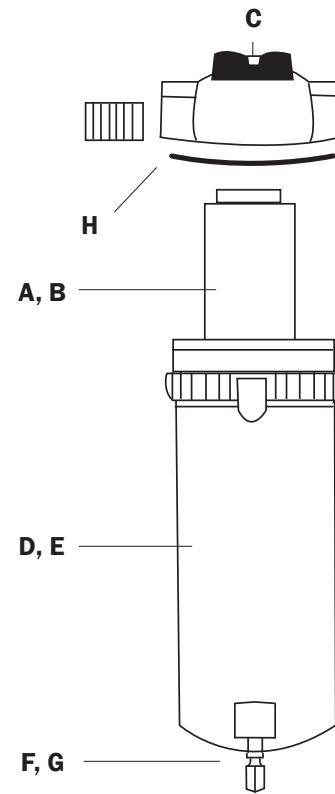


**Water**  
**Dirt**  
**Oil**  
**Oil Vapor**  
**Odor**

## Replacement Parts & Accessories

Description	Part Number
<b>A</b> Replacement Element, 1st Stage	3P-060
<b>B</b> Replacement Element, 2nd Stage	3C-060
<b>C</b> Differential Pressure Indicator	N32-W1-DPI
<b>C</b> Blanking Cap (Cover for Indicator)	N32-95-020
<b>D</b> Bowl Assembly: Metal Bowl, Manual Petcock Drain, & O-ring	N34-95-205
<b>D</b> Bowl Assembly: Metal Bowl, Auto Float Drain, & O-ring	N34-95-201
<b>E</b> Bowl Assembly: Poly Bowl, Manual Petcock Drain, & O-ring*	N32-15-163
<b>E</b> Bowl Assembly: Poly Bowl, Auto Float Drain, & O-ring*	N32-15-164
<b>F</b> Manual Petcock Drain (Metal Bowl)	PC-02
<b>F</b> Manual Petcock Drain (Poly Bowl)	N32-95-182
<b>G</b> Automatic Plastic Float Drain (Metal Bowl)	N32-95-979
<b>G</b> Automatic Brass Float Drain (Poly Bowl)	N32-95-978
<b>H</b> Bowl O-ring	N32-95-257

\*Poly bowls come with metal bowl guard



## Order Guide

	Port Size	Model Number		Dimensions (inches)			
		Metal Bowl	Poly Bowl	Height*		Width	Depth
				Metal	Poly		
<b>Manual Brass Petcock Drain</b>	1/4"	3P-060-M02-DCP	3P-060-P02-DCP	10.0	10.0	8.0	3.9
	3/8"	3P-060-M03-DCP	3P-060-P03-DCP	10.0	10.0	8.0	3.9
	1/2"	3P-060-M04-DCP	3P-060-P04-DCP	10.0	10.0	8.0	3.9
<b>Automatic Float Drain</b>	1/4"	3P-060-M02-DC	3P-060-P02-DC	10.0	10.5	8.0	3.9
	3/8"	3P-060-M03-DC	3P-060-P03-DC	10.0	10.5	8.0	3.9
	1/2"	3P-060-M04-DC	3P-060-P04-DC	10.0	10.5	8.0	3.9

\*To add an indicator, add "i" to end of model number (Indicator adds about 1" to height)



# 90/150 scfm Eliminator<sup>®</sup> Combo

## Specifications

<b>Port Sizes</b>	1/2", 3/4", 1"
<b>Thread Styles</b>	NPT, BSPT, BSPP
<b>Flow Capacity</b>	90/150 scfm @ 100 PSI
<b>Filter Capacity</b>	0.01 Micron & larger
<b>Differential Pressure</b>	< 5.0 PSID at rated flow
<b>Max Temp/ Pressure</b>	
<b>Aluminum Bowl</b>	75 °F/200 PSIG
<b>Max Temp/ Pressure</b>	
<b>Polycarbonate Bowl</b>	125 °F/150 PSIG
<b>Approx. Weight (lb.)</b>	12.0
<b>ISO Class</b>	1 Particulate/Oil

For higher pressure applications, consult factory.  
Units equipped with differential pressure indicator have max temperature and pressure of 125 °F and 150 PSIG, regardless of bowl material.

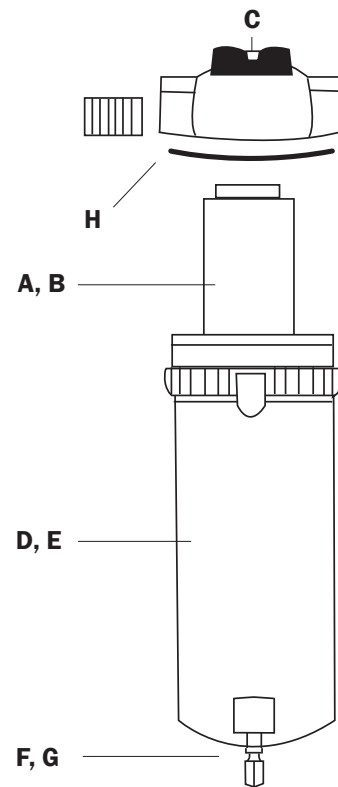


**Water**  
**Dirt**  
**Oil**  
**Oil Vapor**  
**Odor**

## Replacement Parts & Accessories

Description	Part Number
<b>A</b> Replacement Element, 1st Stage	3P-090/3P-150
<b>B</b> Replacement Element, 2nd Stage	3C-090/3C-150
<b>C</b> Differential Pressure Indicator	N32-W1-DPI
<b>C</b> Blanking Cap (Cover for Indicator)	N32-95-020
<b>D</b> Bowl Assembly: Metal Bowl, Manual Petcock Drain, & O-ring	N34-15-180
<b>D</b> Bowl Assembly: Metal Bowl, Auto Float Drain, & O-ring	N34-15-178
<b>E</b> Bowl Assembly: Poly Bowl, Manual Petcock Drain, & O-ring*	N32-15-167
<b>E</b> Bowl Assembly: Poly Bowl, Auto Float Drain, & O-ring*	N32-15-166
<b>F</b> Manual Petcock Drain (Metal Bowl)	PC-03
<b>F</b> Manual Petcock Drain (Poly Bowl)	N32-95-182
<b>G</b> Automatic Plastic Float Drain (Metal Bowl)	N32-95-979
<b>G</b> Automatic Brass Float Drain (Poly Bowl)	N32-95-978
<b>H</b> Bowl O-ring	N32-95-256

\*Poly bowls come with metal bowl guard



## Order Guide

	Port Size	Model Number				Dimensions (inches)			
		Metal Bowl		Poly Bowl		Height*		Width	Depth
		Low Flow	Med Flow	Low Flow	Med Flow	Metal	Poly		
<b>Manual Brass Petcock Drain</b>	1/2"	3P-090-M04-DCP	3P-150-M04-DCP	3P-090-P04-DCP	3P-150-P04-DCP	17.0	14.0	9.6	4.8
	3/4"	3P-090-M06-DCP	3P-150-M06-DCP	3P-090-P06-DCP	3P-150-P06-DCP	17.0	14.0	9.6	4.8
	1"	3P-090-M08-DCP	3P-150-M08-DCP	3P-090-P08-DCP	3P-150-P08-DCP	17.0	14.0	9.6	4.8
<b>Automatic Float Drain</b>	1/2"	3P-090-M04-DC	3P-150-M04-DC	3P-090-P04-DC	3P-150-P04-DC	17.0	14.5	9.6	4.8
	3/4"	3P-090-M06-DC	3P-150-M06-DC	3P-090-P06-DC	3P-150-P06-DC	17.0	14.5	9.6	4.8
	1"	3P-090-M08-DC	3P-150-M08-DC	3P-090-P08-DC	3P-150-P08-DC	17.0	14.5	9.6	4.8

\*To add an indicator, add "i" to end of model number (Indicator adds about 1" to height)

