

High Pressure - Rare Earth

Product Data



Preface:

The Micromag HP/80 follows on from the standard Micromag and has all of the same incredible benefits. This unit was developed to suit high pressure through spindle coolant applications, where the smallest of particles can damage seals, spindles and even the efficiency of the cutting tool.

Micromag HP/80 can be installed anywhere in the fluid delivery system and will ensure that even sub micron magnetic and paramagnetic particles are removed before they can cause any expensive damage.

For further information relating to the benefits and operation please refer to the supplied standard Micromag brochure.

Cleaning:

Using the supplied cleaning tool, a fully contaminated core can be cleaned in under 30 seconds! Leaving you with only the metallic particles, which can be easily disposed of, no dirty cartridges!



Suitable Products:

Neat & soluble oils.

Installation Location:

Pre or post pump, delivery line, spindle feed or pre membrane cartridge.

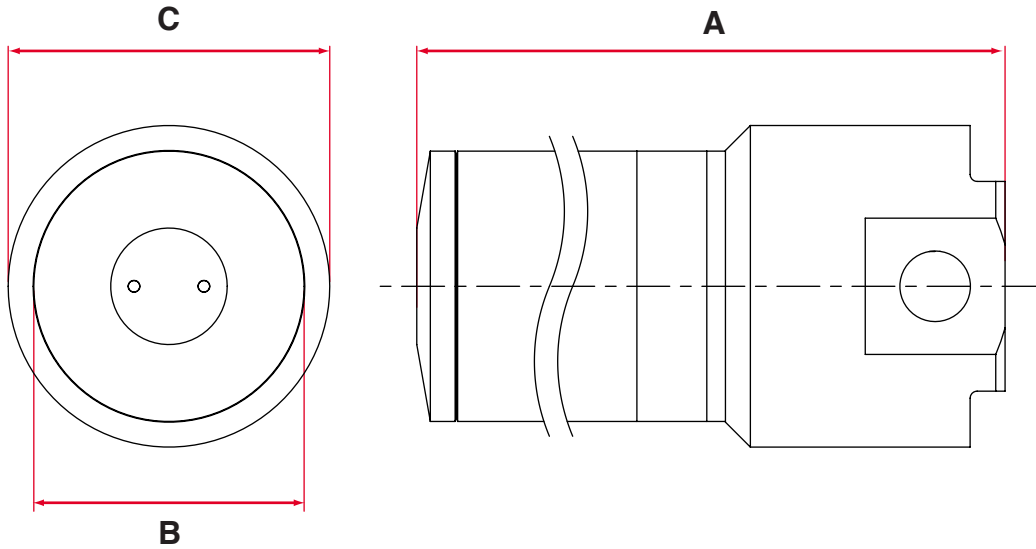
Benefits:

High pressure rated ■ Sub micron filtration ■ Large holding capacity ■ High intensity Rare Earth magnetic material ■ Full Stainless Steel construction ■ Suitable for all machining applications ■ Environmentally ethical ■ No consumables ■

Category:

High Pressure.

Technical Data



Product number	Flow rate	Contamination capacity	Connection	Dimensions mm		
	ltrs/min.	kgs	" BSP	A	B	C
MM5/HP/80	70	1	1	247	116	125
MM10/HP/80	100	2	1	365	116	125
MM20/HP/80	150	4	1½	625	116	125

Performance:-

Maximum Pressure	80 Bar g
Magnetic Performance:	High Intensity
Circuit Design:	Open
Magnetic Material:	Rare Earth Neodymium Iron Boron
Magnet Grade:	N45 – Inspected & confirmed via hystergaph prior to use
Temperature:	0°C - 140°C

Materials:-

Housing:	316 Grade Stainless Steel
Lid:	316 Grade Stainless Steel
Tube:	316 Grade Stainless Steel – Aerospace Quality