

Standard executions

Version	Symbol	Code	Item
3/2 NC		034113	A1E430
3/2 NA		034122	A1E431
3/2 solenoid/solenoid		034123	A1E432
3/2 NC external air pilot		034137	A1K430
3/2 solenoid/solenoid external air pilot		034158	A1K432



Series of spool valves, with static seals, high flow, for panel mounting.

Coils and connectors are to be ordered separately.

For the coils type ASA12.../ASA2...

see page 2.200.1

For the connectors type A122...

see page 2.210.20



II 2Gc IIC T5
II 2Dc T100°C

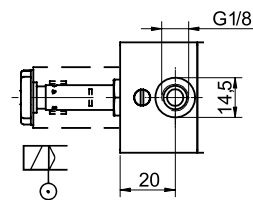
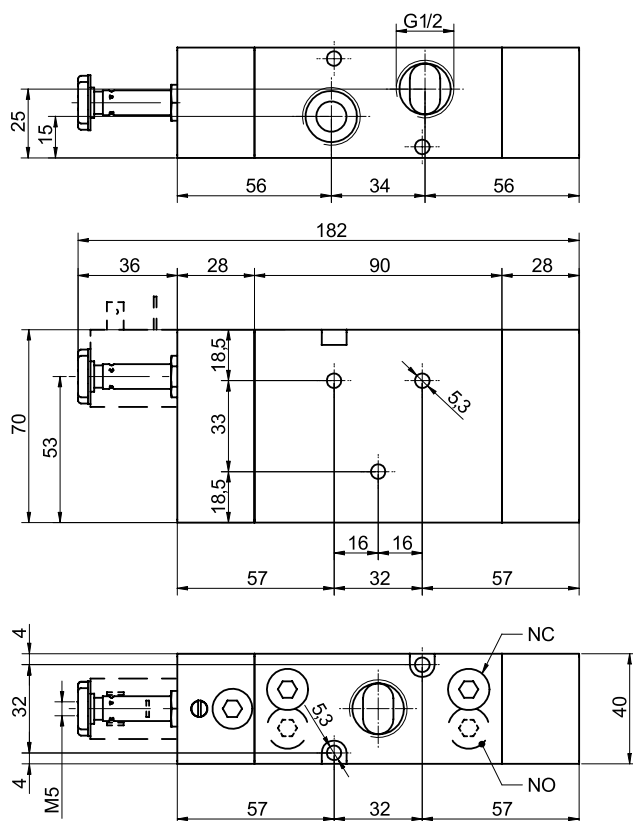
On request, they can be supplied according to 94/9/EC - **ATEX**

Code key

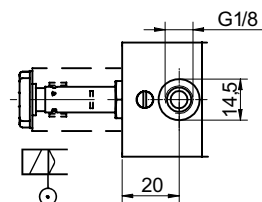
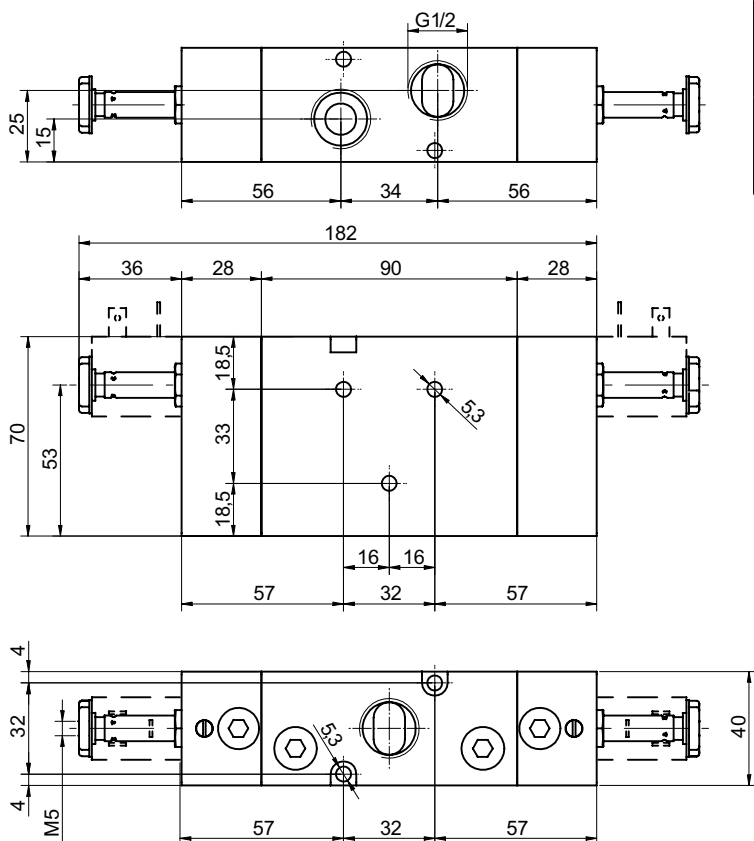
Series	Actuation	Size	Function
A1	E = electrical	1 = 1/8"	30 = 3/2 NC
	K = electrical with external air pilot	2 = 1/4"	31 = 3/2 NA
		4 = 1/2"	32 = 3/2 solenoid/solenoid
			50 = 5/2 solenoid/spring
			51 = 5/2 solenoid/solenoid
			70 = 5/3 CC
			71 = 5/3 CA
			72 = 5/3 CP

Technical data

Fluid	Compressed filtered air with or without lubrication. Lubrication, if started, must be continued.		
Pressure range	0 ÷ 10 bar		
Temperature range	-10°C ÷ +60°C		
Orifice	15 mm		
Flow	2900 NI/min at 6 bar with ΔP 1 bar		
Minimum piloting pressure	Monostable: 2,5 bar	Bistable: 1 bar	3 positions: 2,5 bar
Mounting	In any position		
Manual override	Bistable on solenoid pilot - Monostable on valve body		
Response time (at 6 bar)	solenoid/spring		solenoid/solenoid
	Energising: 60 ms	De-energising: 36 ms	Energising: 30 ms De-energising: 30 ms
Materials	Body:	Anodised aluminium	
	Covers:	Anodised aluminium	
	Spool:	Hard aluminium anodized	
	Distancers:	Aluminium	
	Seals:	Hydrogenated Nitrile Butadiene Rubber (HNBR)	



Version	Symbol	Code	Item
3/2 NC		034113	A1E430
3/2 NA		034122	A1E431
3/2 NC external air pilot		034137	A1K430



Version	Symbol	Code	Item
3/2 solenoid/solenoid		034123	A1E432
3/2 solenoid/solenoid external air pilot		034158	A1K432