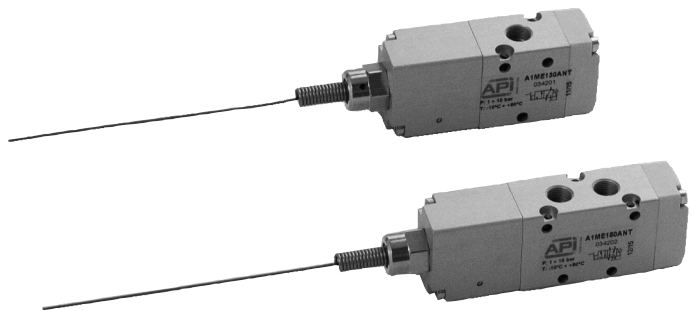


Standard executions

Version	Symbol	Code	Item
3/2 NC spring return		034201	A1ME130ANT
5/2 spring return		034202	A1ME150ANT

New



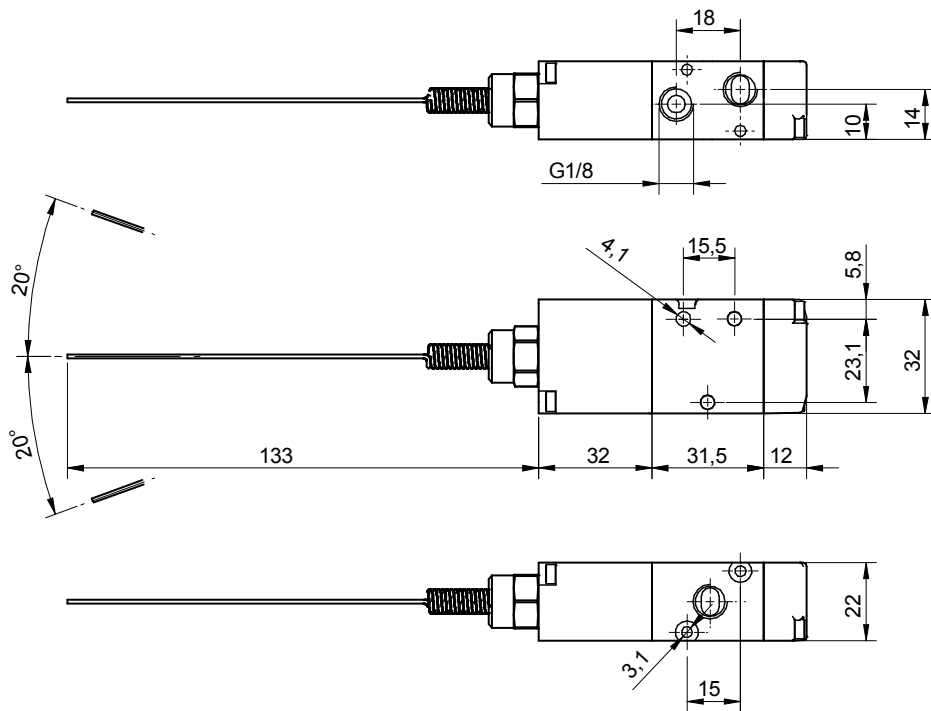
Servo-assisted sensitive aerial spool valves, with static seals, high flow.

Code key

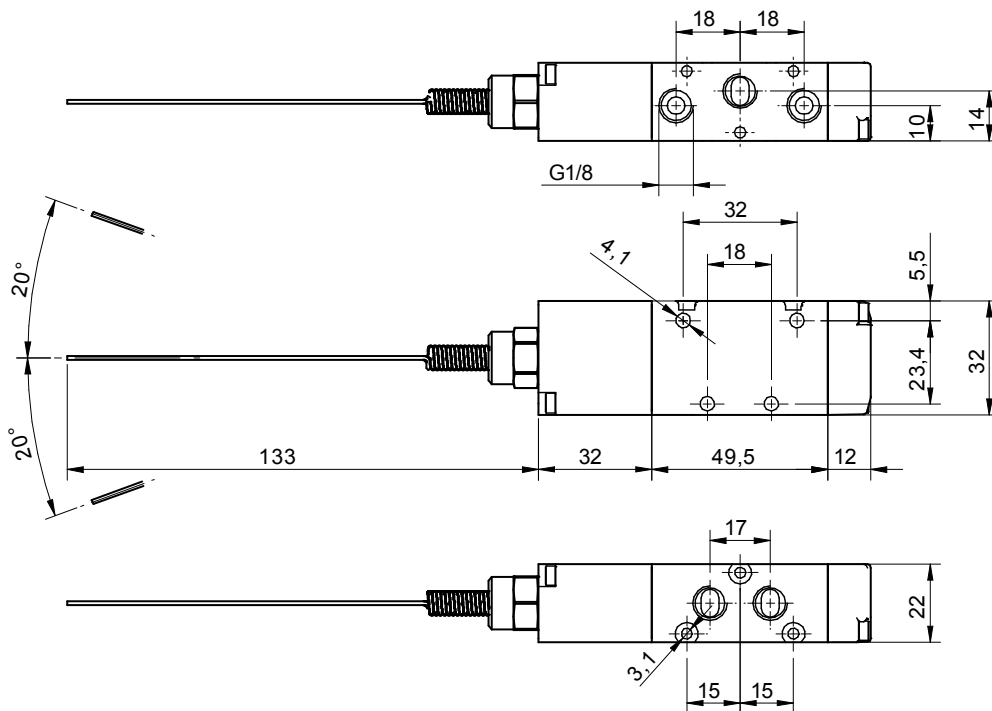
Series	Actuation	Size	Function	Actuation
A1	ME=Mechanically	1 = 1/8"	30 = 3/2 NC spring return 50 = 5/2 spring return	ANT = sensitive aerial

Technical data

Fluid	Compressed filtered air with or without lubrication. Lubrication, if started, must be continued.	
Pressure range	1 ÷ 10 bar	
Temperature range	-10 °C ÷ + 60°C	
Orifice	6,5 mm	
Flow	650 NI/min a 6 bar at ΔP 1 bar	
Minimum piloting pressure	1 bar	
Mounting	In any position	
Materials	Body:	Anodised aluminium
	Covers:	Delrin 500
	Spool:	Hard aluminium anodized
	Distancers:	Fortron 1140 L4
	Spring:	Stainless steel AISI 304
	Seals:	Hydrogenated Nitrile Butadiene Rubber (HNBR)



Version	Symbol	Code	Item
3/2 NC spring return		034201	A1ME130ANT



Version	Symbol	Code	Item
5/2 spring return		034202	A1ME150ANT