

Standard executions

Version	Symbol	Code	Item
Digital Pressure Switch Positive Pressure		024810	AKP43P010F3
Digital Pressure Switch Vacuum		024811	AKP43P030F3
Digital Pressure Switch Compound		024812	AKP43V010F3
		024813	AKP43V030F3
		024814	AKP43C010F3
		024815	AKP43C030F3

New

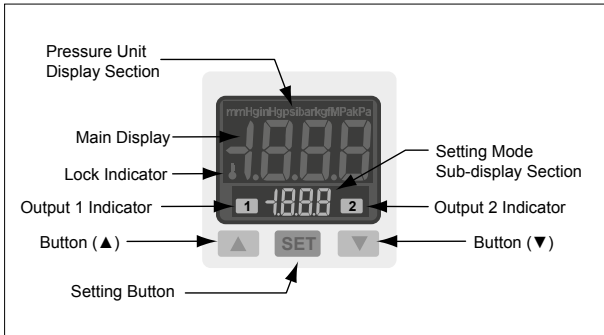


Series of digital pressure switches allowing to instantly display pressure and transferring of electric signals PNP and NPN easy and fast reading of pressure thanks to backlight.

- Power 12 ÷ 24V DC (±10%).

Main characteristics are:

- 7 programmable units to measure pressure (kPa, MPa, kgf/cm², bar, psi, mmHG, inHg);
- Measuring units on display;
- 3-color LCD Display;



Technical data

Fluid	Filtered air, incombustible and non-corrosive gases		
Type	Compound	Vacuum	Positive
Rated pressure range (*1)	0 ÷ 10 bar	-1,01 ÷ 0 bar	-1 ÷ 1 bar
Display pressure range (*2)	0,1 ÷ 10 bar	-1,01 ÷ + 0,1 bar	-1,01 ÷ + 1,01 bar
Maximum pressure	15 bar	3 bar	
Pressure unit	MPa, kgf/cm ² , bar, psi	kPa, kgf/cm ² , bar, psi, inHg, mmHg	
Pressure resolution	- 0.001 MPa 0.01 kgf/cm ² 0.01 bar 0.1 psi - -	1 kPa - 0.001 kgf/cm ² 0.001 bar 0.01 psi 0.01 inHg 1 mmHg	
Repeatability	≤ ±0.2% F.S. ±1 digit		
LCD display	Red / Green main & unit display - Orange sub-display (7 segment)		
Protection class	IP40		
Temperature range	0 ÷ 50 °C		
Ambient humidity range	35 ÷ 85 %RH (No condensation)		
Voltage	12 ÷ 24 V DC (± 10%)		
Current consumption	≤ 40 mA (With no load)		
Switch output (protected from over-run)	Open collector NPN (2 outputs)		Open collector PNP (2 outputs)
	Max. load current: 125 mA		Max. load current: 125 mA
	Max. supply voltage: 30V DC		Max. supply voltage: 24V DC
	Residual voltage: ≤ 1.5V		Residual voltage: ≤ 1.5V
	Response time: ≤ 2,5 ms (chattering-proof function 25, 100, 250, 500, 1000, 1500 ms)		
Hysteresis	Adjustable (*3)		
Analog output (Voltage output)	Output current: 1 ÷ 5V ± 2,5% F.S.		
	Linearity ± 1% F.S.		
	Output impedance ≈ 1kΩ		
Ports	G1/8 - M5		
Weight	80 gr		

(*1) Nominal pressure:

Pressure range within which technical features of pressure/vacuum gauges are granted.

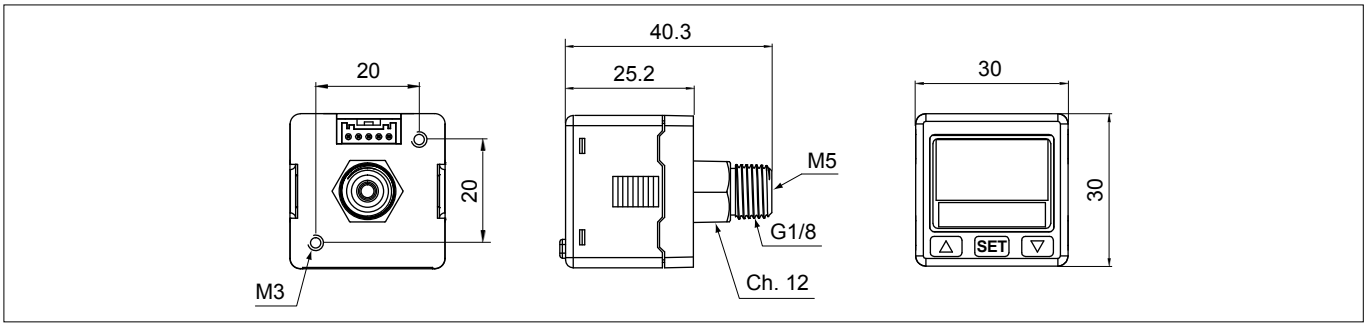
(*2) Displayed pressure:

Pressure range possible to display on pressure/vacuum gauges. Pressure values displayed can also be off the nominal pressure range and in this case, technical features are not granted.

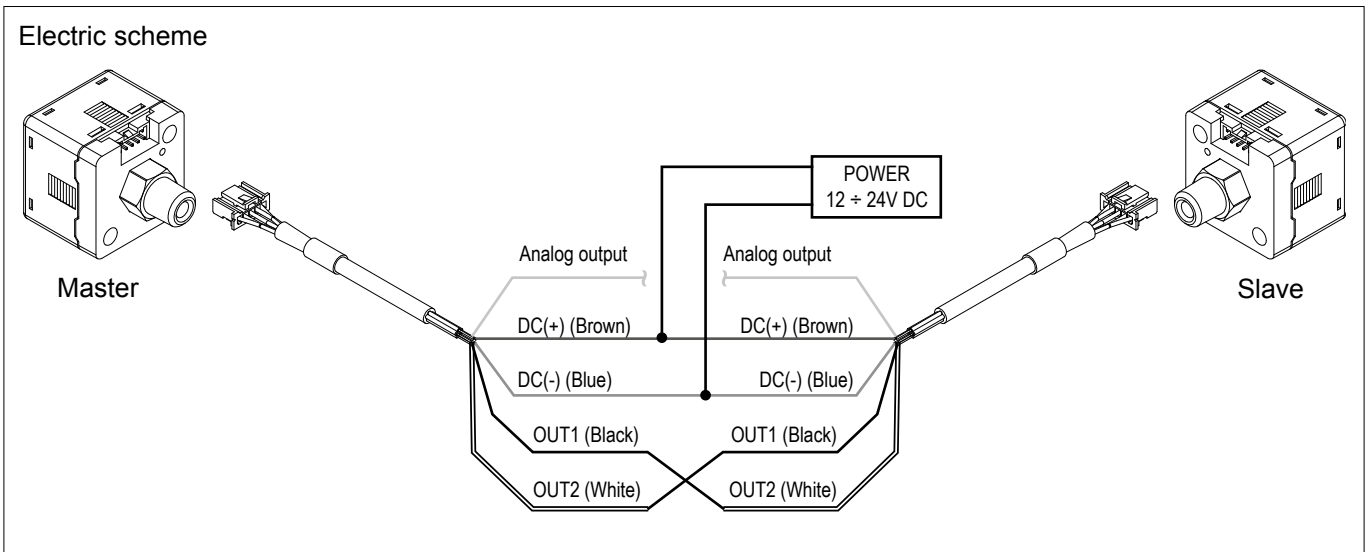
(*3) Hysteresis:

Value is adjustable within 1 ~ 8 digits.

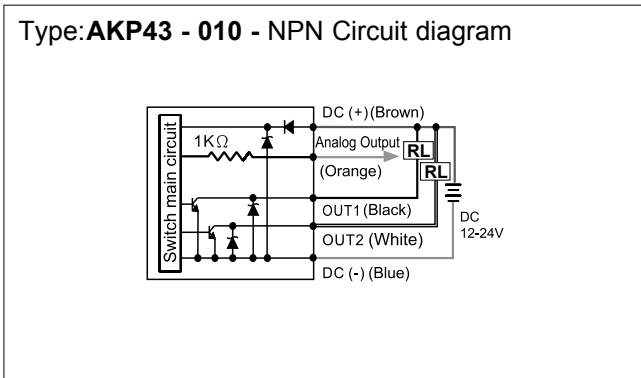
Technical data



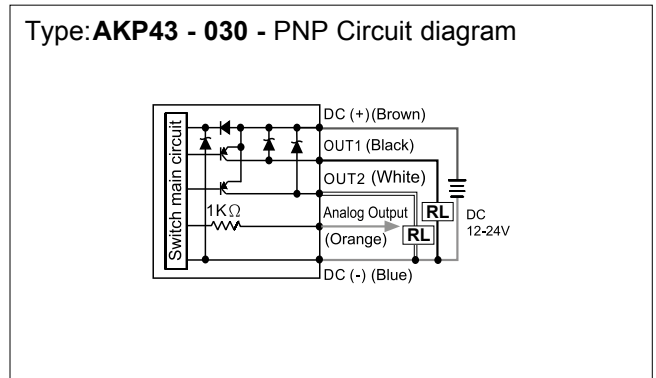
Electric scheme



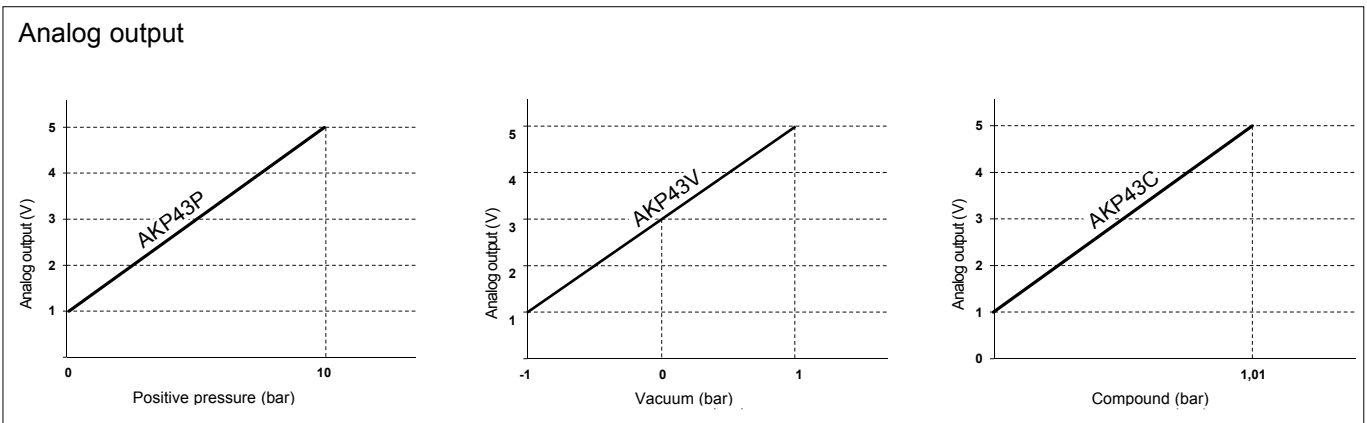
Type:AKP43 - 010 - NPN Circuit diagram



Type:AKP43 - 030 - PNP Circuit diagram



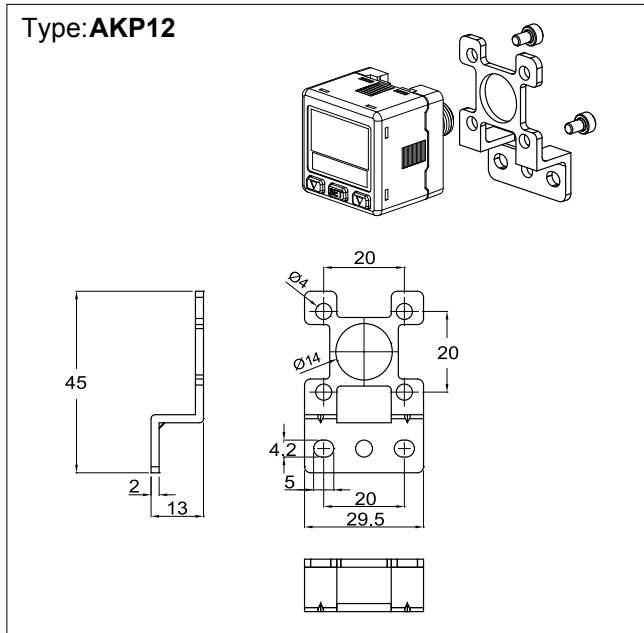
Analog output



Mountings accessories

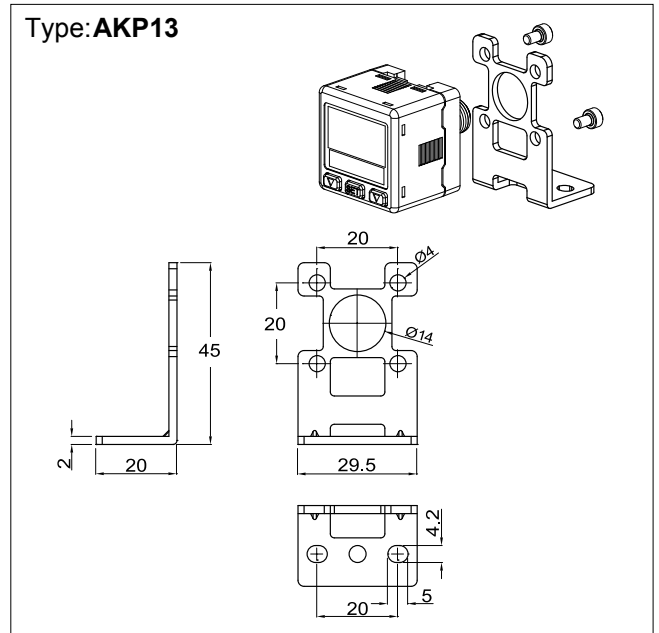
Version	Code	Item
Bracket	024816	AKP12
"L" bracket	024817	AKP13
Panel adapter	024809	APAC
Panel adapter and front protective lid	024802	APAD

Type: AKP12



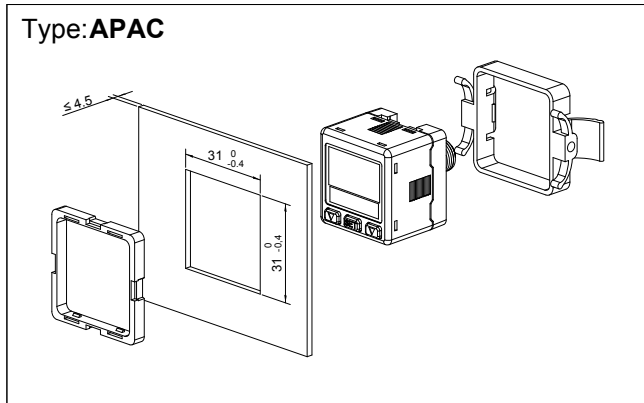
The kit includes 2 screws for fixing the pressure-gauges/vacuum gauges

Type: AKP13

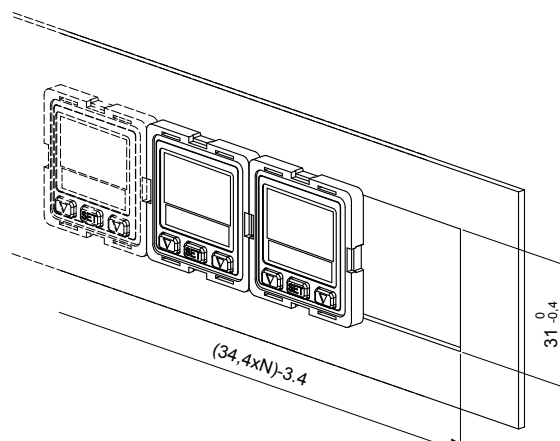
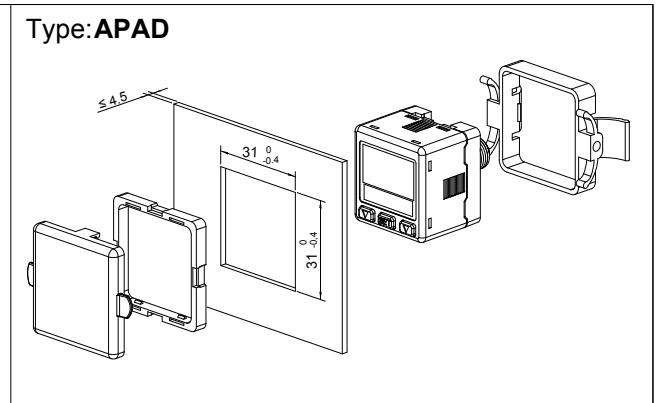


The kit includes 2 screws for fixing the pressure-gauges/vacuum gauges

Type: APAC



Type: APAD



Panel cutout dimension for multiple mounting