

Standard executions			
Version	Symbol	Code	Item
5/2 lever/spring with bi-directional lever and roller		034156	A1ME150RLB
5/2 lever/spring with adjustable bi-directional lever and roller		034157	A1ME150RLBR

New

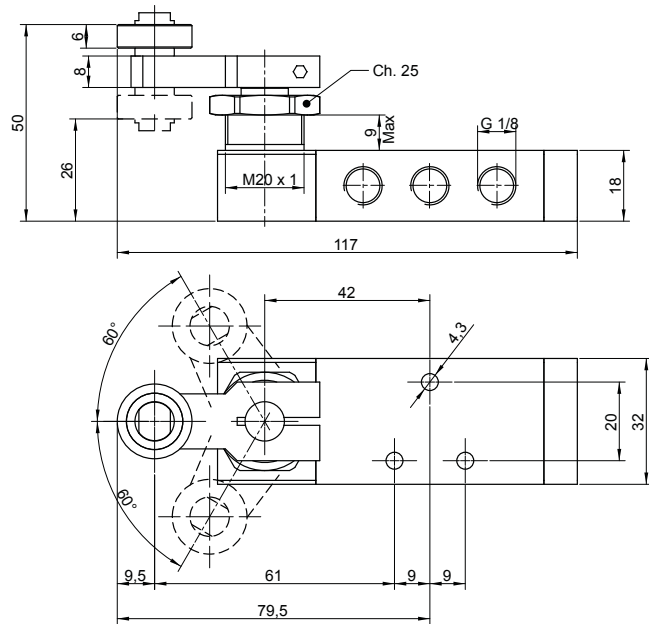


Side lever valve mechanically operated spool valve with side lever and high flow static seals.  
Panel assembly with screws.

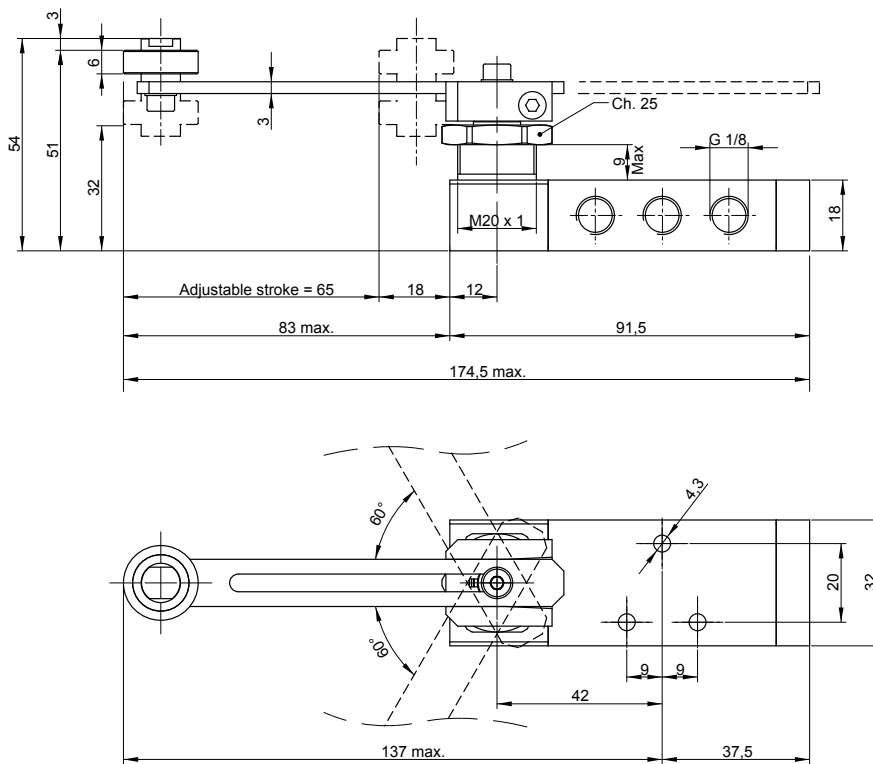
Code key

Series	Actuation	Size	Function	Actuation
A1	ME=Mechanically	1 = 1/8"	50 = 5/2 monostable	RLB = Lever and roller RLBR = Adjustable lever and roller

Technical data	
Fluid	Compressed filtered air with or without lubrication. Lubrication, if started, must be continued.
Pressure range	1 ÷ 10 bar
Temperature range	-10 °C ÷ + 60°C
Orifice	6,5 mm
Flow	650 NI/min a 6 bar at ΔP 1 bar
Mounting	In any position
Materials	Body: Anodised aluminium Covers: Anodised aluminium Lever: Anodised aluminium Spool: Hard aluminium anodized Distancers: Fortron 1140 L4 Seals: Hydrogenated Nitrile Butadiene Rubber (HNBR)



Version	Symbol	Code	Item
5/2 lever/spring with bi-directional lever and roller		034156	A1ME150RLB



Version	Symbol	Code	Item
5/2 lever/spring with adjustable bi-directional lever and roller		034157	A1ME150RLBR