

Standard executions			
Version	Symbol	Code	Item
Filter-regulator + lubricator		090100	A14FRRL
Filter-regulator		090101	A14FRR
Filter		090102	A14F
Regulator		090103	A14R
Lubricator		090104	A14L



Series of modular units with the following standard features :

- Regulators with relieving valve
- Filters standard with 25µ cartridge
- Filters with semi-automatic condensate drain
- Cup with protection

The gauges are to be ordered separately; for gauges see from page 3.5.1

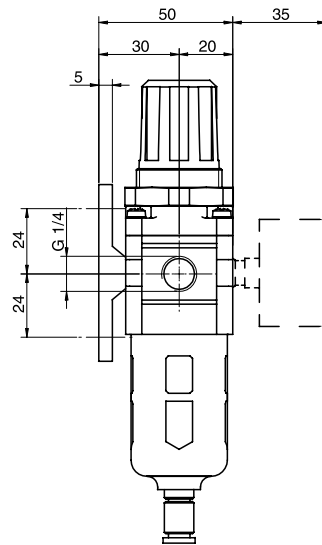
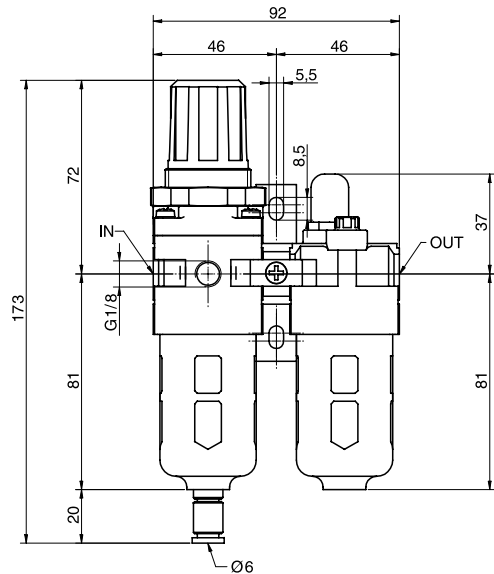
For mounting accessories, assembling kits and spare parts see from page 3.5.1

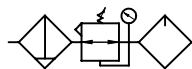
How to order: A14FRR5TM

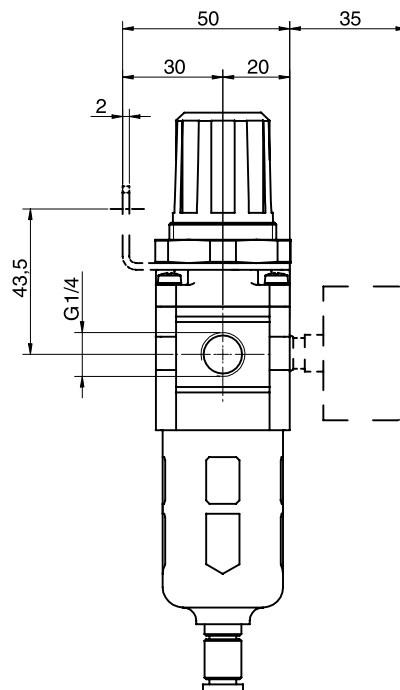
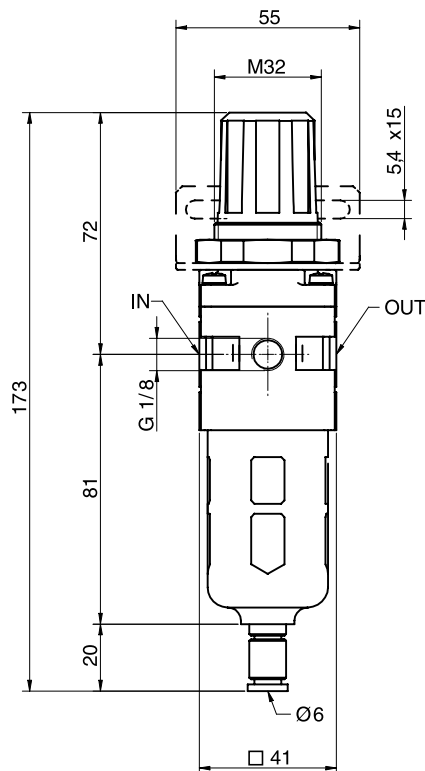
Options	Suffix
Filter 5 µ cartridge	5
Metal cup	TM
With regulation range 0,5÷4 bar	04

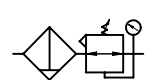
A14FRR	5	TM
Version	Option	Option

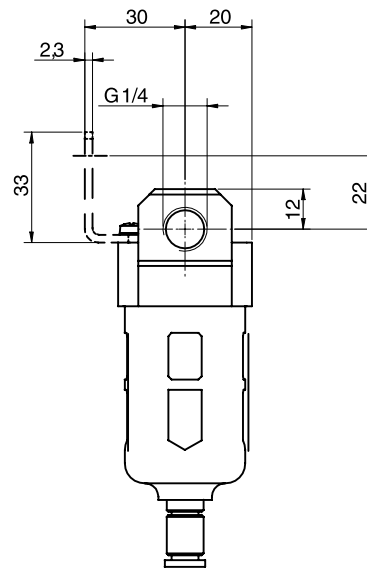
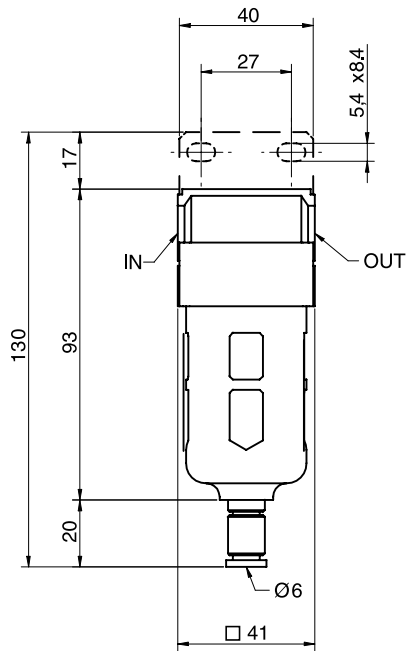
Technical data															
Fluid	Compressed air														
Maximum pressure	10 bar														
Regulation range	0,5 ÷ 8,5 bar														
Flow at 6 bar (NI/min)	A14FRRL = 500; A14FRR = 750; A14F = 750; A14R = 550; A14L = 800														
Temperature range	0 ÷ 60 °C														
Suggested oil	With ISO VG 32 viscosity conforming to ISO 3448 standards														
Cup capacity	Filter : 15 cm ³ Lubricator : 25 cm ³														
Filtering element	Standard 25 µ - On request 5 µ														
Condense drain	Standard semi-automatic														
Materials	<table> <tr> <td>Body and cup protection:</td> <td>Painted aluminium</td> </tr> <tr> <td>Regulation group:</td> <td>Plastic</td> </tr> <tr> <td>Condense drain:</td> <td>Nickel plated brass</td> </tr> <tr> <td>Filtering element:</td> <td>Sintered bronze</td> </tr> <tr> <td>Membrana:</td> <td>Gomma nitrilica (NBR)</td> </tr> <tr> <td>Tazze e visualizzatore:</td> <td>Policarbonato</td> </tr> <tr> <td>Molle:</td> <td>Acciaio</td> </tr> </table>	Body and cup protection:	Painted aluminium	Regulation group:	Plastic	Condense drain:	Nickel plated brass	Filtering element:	Sintered bronze	Membrana:	Gomma nitrilica (NBR)	Tazze e visualizzatore:	Policarbonato	Molle:	Acciaio
Body and cup protection:	Painted aluminium														
Regulation group:	Plastic														
Condense drain:	Nickel plated brass														
Filtering element:	Sintered bronze														
Membrana:	Gomma nitrilica (NBR)														
Tazze e visualizzatore:	Policarbonato														
Molle:	Acciaio														

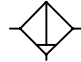


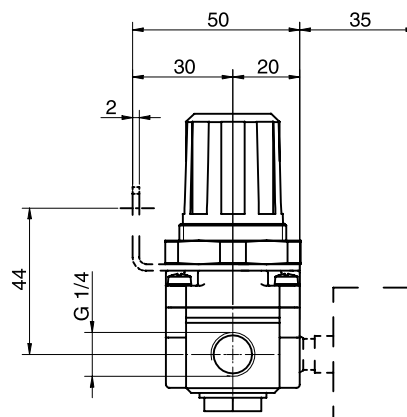
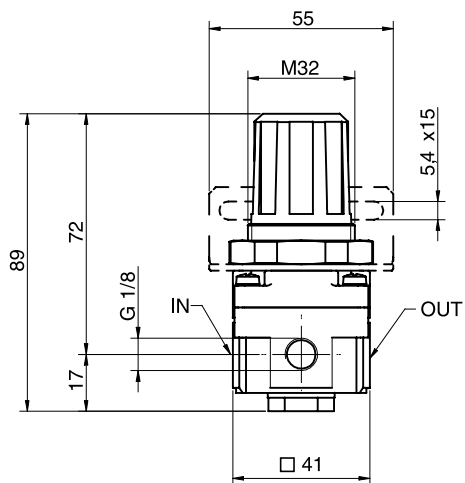
Version	Symbol	Code	Item
Filter-regulator + lubricator		090100	A14FRRL

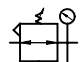


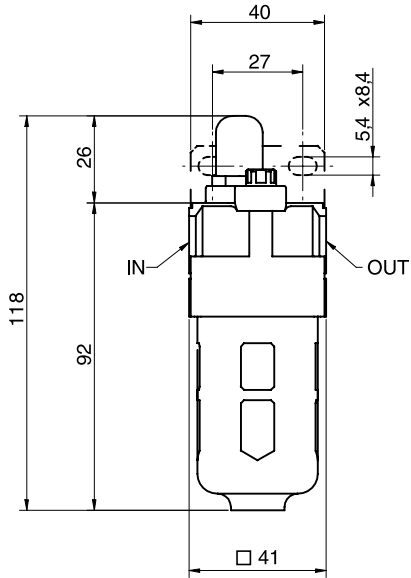
Version	Symbol	Code	Item
Filter-regulator		090101	A14FRR

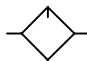


Version	Symbol	Code	Item
Filter		090102	A14F



Version	Symbol	Code	Item
Regulator		090103	A14R



Version	Symbol	Code	Item
Lubricator		090104	A14L