

Standard executions

Version	Symbol	Code	Item
3/2 NC solenoid/spring		034059	A1NE230
3/2 solenoid/solenoid		034060	A1NE232
5/2 solenoid/spring		034057	A1NE250
5/2 solenoid/solenoid		034058	A1NE251



II 2Gc IIC T5
II 2Dc T100°C

On request, they can be supplied according to 94/9/EC - ATEX



Series of spool valves, with static seals, high flow, for mounting on NAMUR interface.

Coils and connectors are to be ordered separately.

For the coils type ASA12...

see page 2.200.1

For the coils type ASA2... (1)

see from page. 2.200.10

For the connectors type A122...

see page 2.210.20

Code key

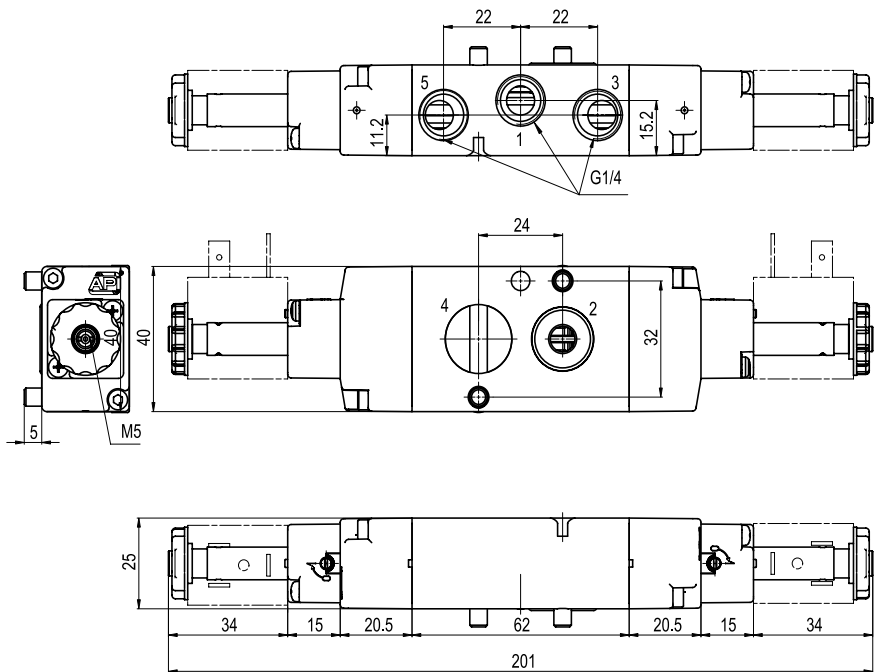
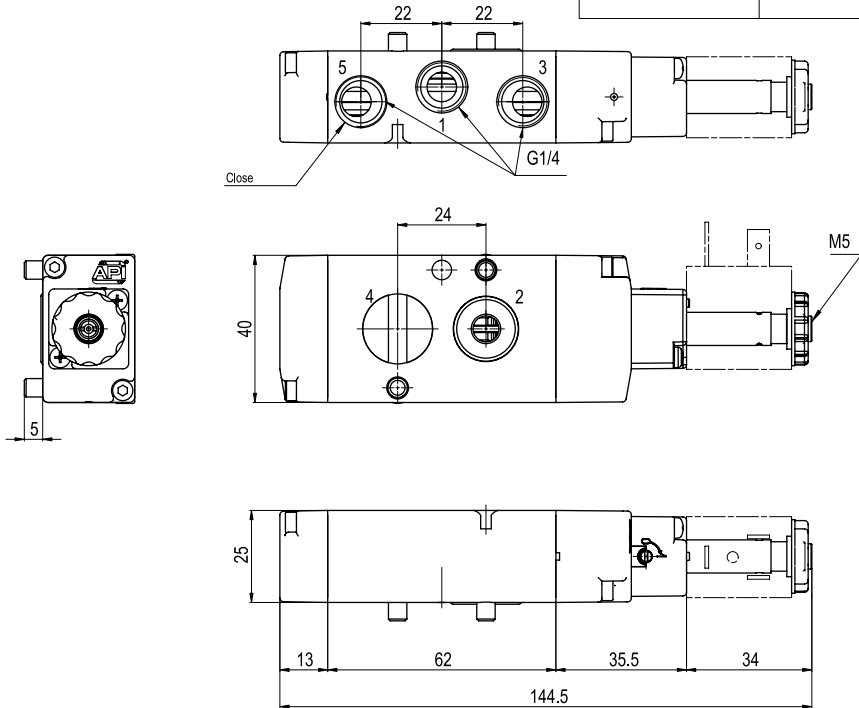
Series	Actuation	Size	Function
A1	NE= NAMUR electrical	2 = 1/4"	30 = 3/2 NC 32 = 3/2 solenoid/solenoid 50 = 5/2 solenoid/spring 51 = 5/2 solenoid/solenoid

Note (1)	Code	Item
For assembling coils type ASA2... order plate PSN...	034203	PSN 3/2
	034166	PSN 5/2

Technical data

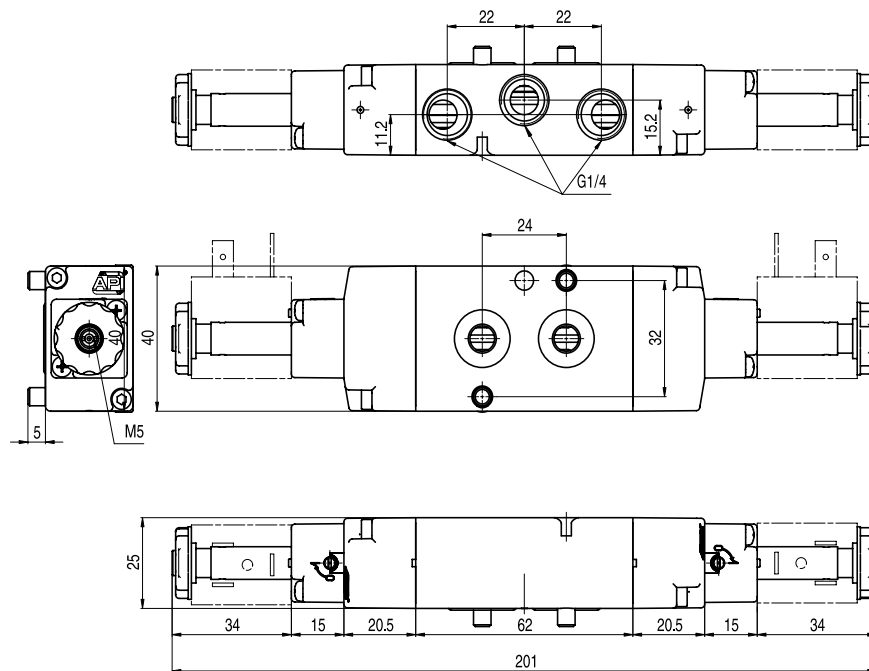
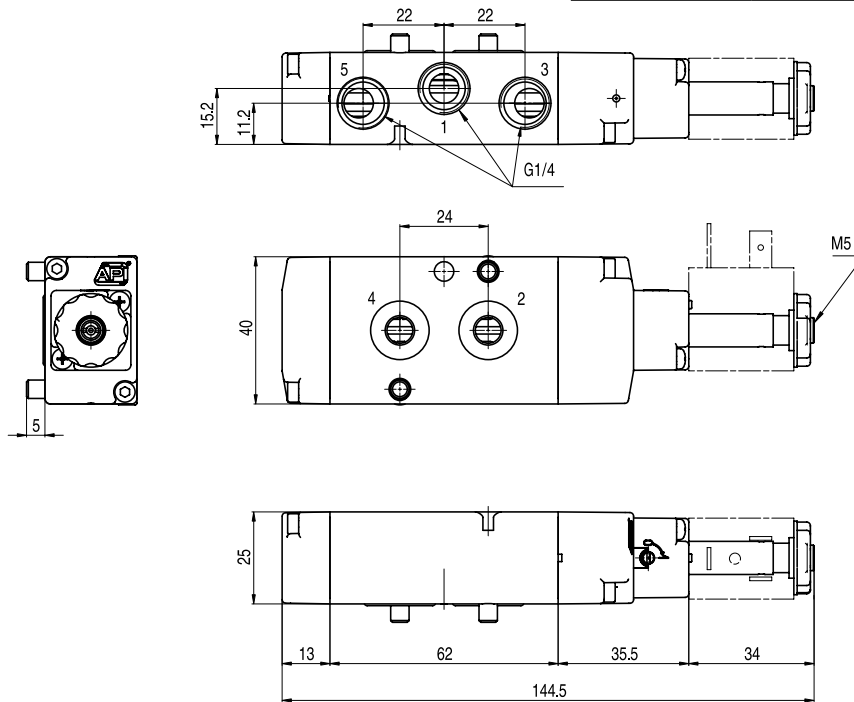
Fluid	Compressed filtered air with or without lubrication. Lubrication, if started, must be continued.			
Pressure range	1 ÷ 10 bar			
Temperature range	-10°C ÷ +60°C			
Orifice	7 mm			
Flow	1.000 NI/min at 6 bar with ΔP 1 bar			
Minimum piloting pressure	1,5 bar	Minimum external air pressure: 1,5 bar		
Mounting	In any position			
Manual override	Bistable			
Response time (at 6 bar)	solenoid/spring		solenoid/solenoid	
	Energising: 45 ms	De-energising: 19 ms	Energising: 21 ms	De-energising: 21 ms
Materials	Body:	Die-cast painted aluminium		
	Covers:	Delrin 500		
	Spool:	Hard aluminium anodized		
	Distancers:	Fortron 1140 L4		
	Seals:	Hydrogenated Nitrile Butadiene Rubber (HNBR)		

Version	Symbol	Code	Item
3/2 NC solenoid/spring		034059	A1NE230



Version	Symbol	Code	Item
3/2 solenoid/solenoid		034060	A1NE232

Version	Symbol	Code	Item
5/2 solenoid/spring		034057	A1NE250



Version	Symbol	Code	Item
5/2 solenoid/solenoid		034058	A1NE251