

Standard executions			
Version	Symbol	Code	Item
5/2 side lever 1 position		034064	A1MA150LL
5/2 side lever 2 positions		034063	A1MA151LL
5/3 side lever 1 position		034062	A1MA170LL
5/3 side lever open centres, 1 position		034066	A1MA171LL
5/3 side lever pressurised centres, 1 position		034065	A1MA172LL
5/3 side lever closed centres, 3 positions		034068	A1MA173LL
5/3 side lever open centres, 3 positions		034067	A1MA174LL
5/3 side lever pressurised centres, 3 positions		034069	A1MA175LL
5/2 top lever 2 positions		034091	A1MA151LT
5/2 push-pull 1 position		034092	A1MA150TT
5/2 push-pull 2 positions		034093	A1MA151TT
5/2 red head push button, 1 position		034094	A1MA150FR
5/2 green head push button, 1 position		034095	A1MA150FV
5/2 black head push button, 1 position		034096	A1MA150FN
5/2 red recessed button, 1 position		034097	A1MA150BR
5/2 green recessed button, 1 position		034098	A1MA150BV
5/2 black recessed button, 1 position		034099	A1MA150BN



Series of spool valves, with static seals, high flow, for panel or sub-base mounting.

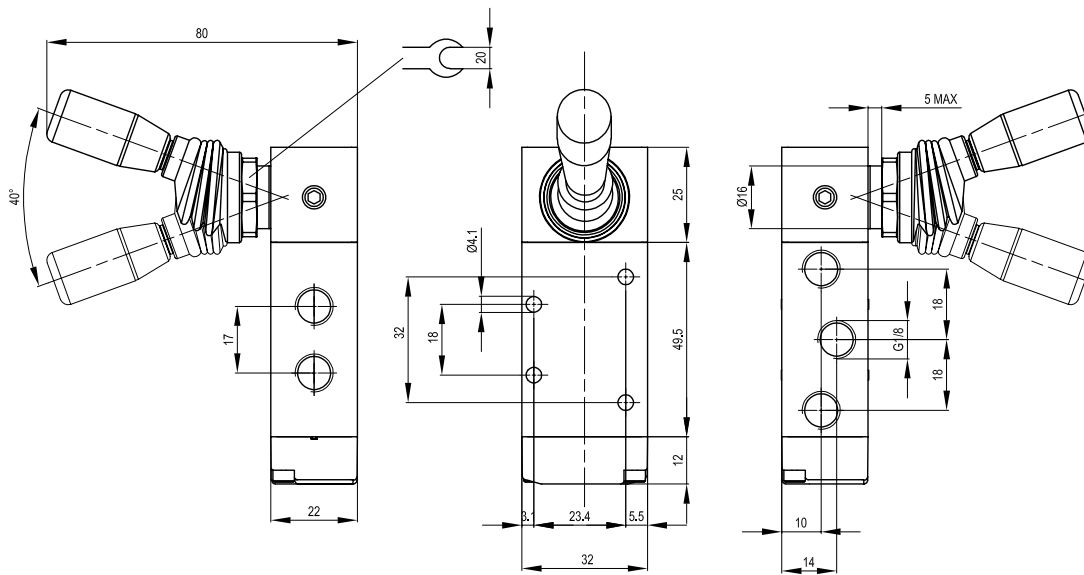
### Code key

Series	Actuation	Size	Function	Actuation
A1	MA=Manual	1 = 1/8" 2 = 1/4"	30 = 3/2 NC spring return 32 = 3/2 two stable positions 50 = 5/2 spring return 51 = 5/2 two stable positions 70 = 5/3 CC spring return 71 = 5/3 CA spring return 72 = 5/3 CP spring return 73 = 5/3 CC 3 positions 74 = 5/3 CA 3 positions 75 = 5/3 CP 3 positions	LL = side lever LT = top lever TT = push-pull FR = red head push button FV = green head push button FN = black head push button BR = red recessed button BV = green recessed button BN = black recessed button

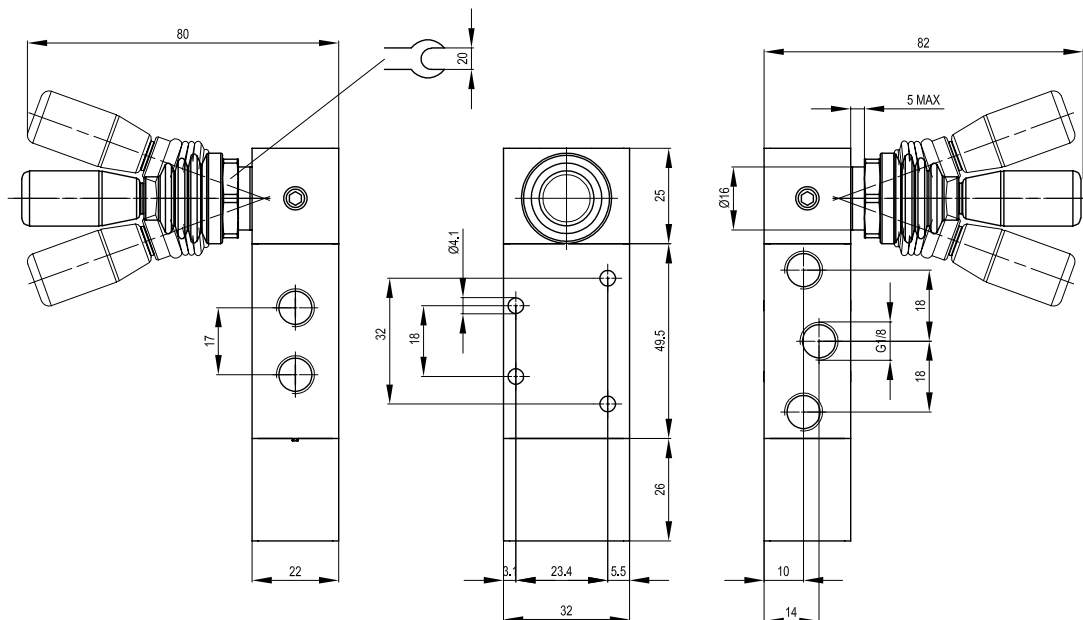


On request, they can be supplied according to 94/9/EC - ATEX

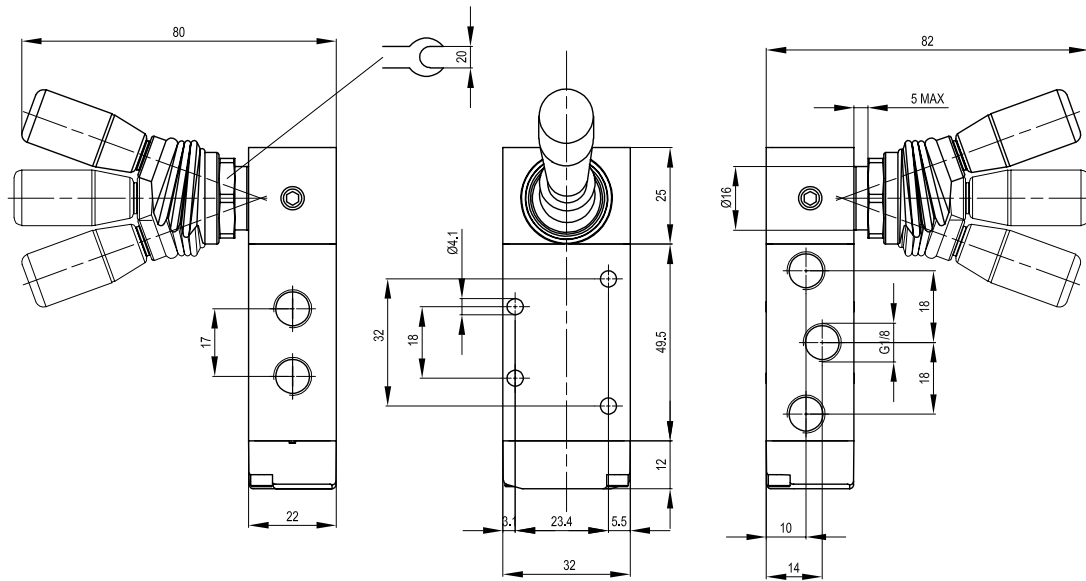
Technical data															
Fluid	Compressed filtered air with or without lubrication. Lubrication, if started, must be continued.														
Pressure range	0 ÷ 10 bar														
Temperature range	-10 °C ÷ + 80 °C														
Orifice	6,5 mm														
Flow	650 NI/min at 6 bar with ΔP 1 bar														
Mounting	In any position														
Materials	<table> <tr> <td>Body:</td> <td>Aluminium anodized</td> </tr> <tr> <td>Cover:</td> <td>Aluminium anodized</td> </tr> <tr> <td>Bottom plates:</td> <td>Delrin 500</td> </tr> <tr> <td>Spool:</td> <td>Chemical nickel plated aluminium</td> </tr> <tr> <td>Distancers:</td> <td>Fortron 1140 L4</td> </tr> <tr> <td>Seals:</td> <td>Hydrogenated Nitrile Butadiene Rubber (HNBR)</td> </tr> <tr> <td>Lever:</td> <td>Steel</td> </tr> </table>	Body:	Aluminium anodized	Cover:	Aluminium anodized	Bottom plates:	Delrin 500	Spool:	Chemical nickel plated aluminium	Distancers:	Fortron 1140 L4	Seals:	Hydrogenated Nitrile Butadiene Rubber (HNBR)	Lever:	Steel
Body:	Aluminium anodized														
Cover:	Aluminium anodized														
Bottom plates:	Delrin 500														
Spool:	Chemical nickel plated aluminium														
Distancers:	Fortron 1140 L4														
Seals:	Hydrogenated Nitrile Butadiene Rubber (HNBR)														
Lever:	Steel														



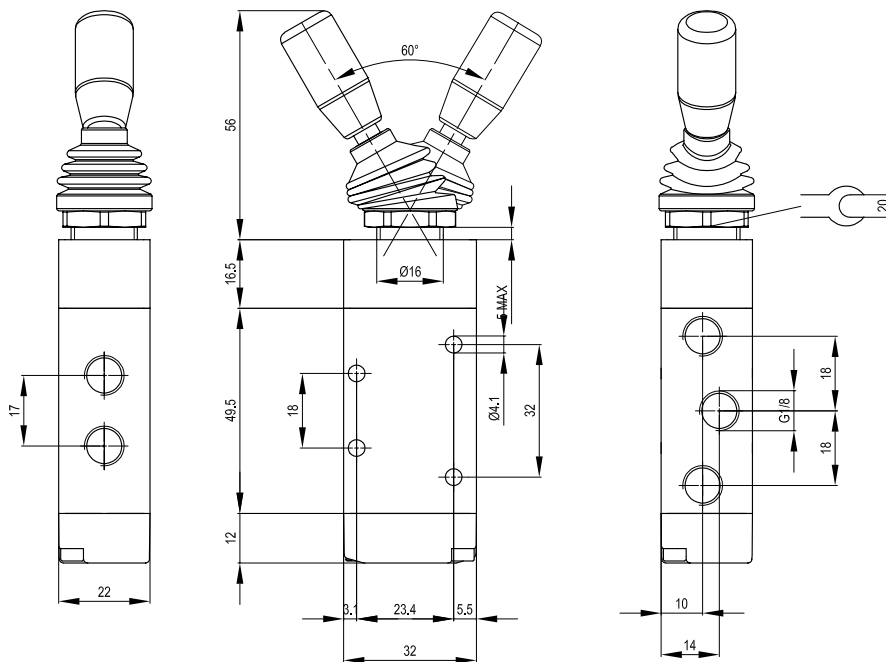
Version	Symbol	Code	Item
5/2 side lever, 1 position		034064	A1MA150LL
5/2 side lever, 2 positions		034063	A1MA151LL



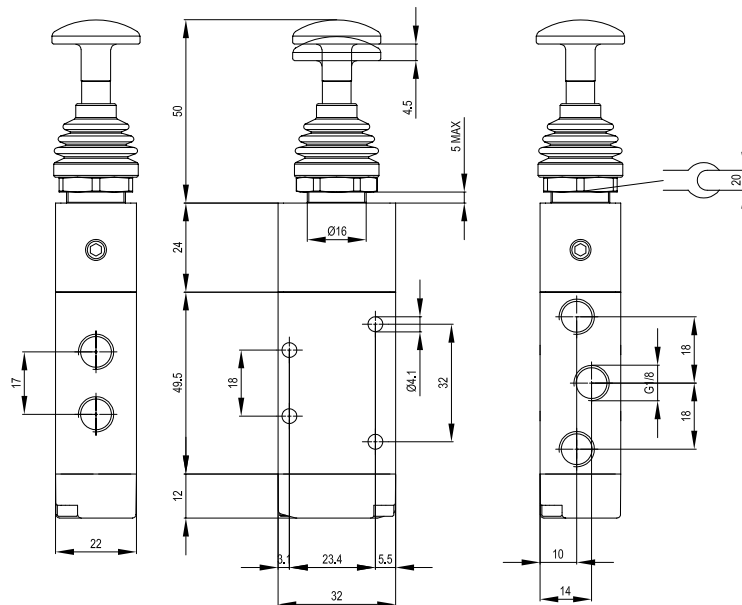
Version	Symbol	Code	Item
5/3 side lever, closed centres, 1 position		034062	A1MA170LL
5/3 side lever, open centres, 1 position		034066	A1MA171LL
5/3 side lever, pressurised centres, 1 position		034065	A1MA172LL



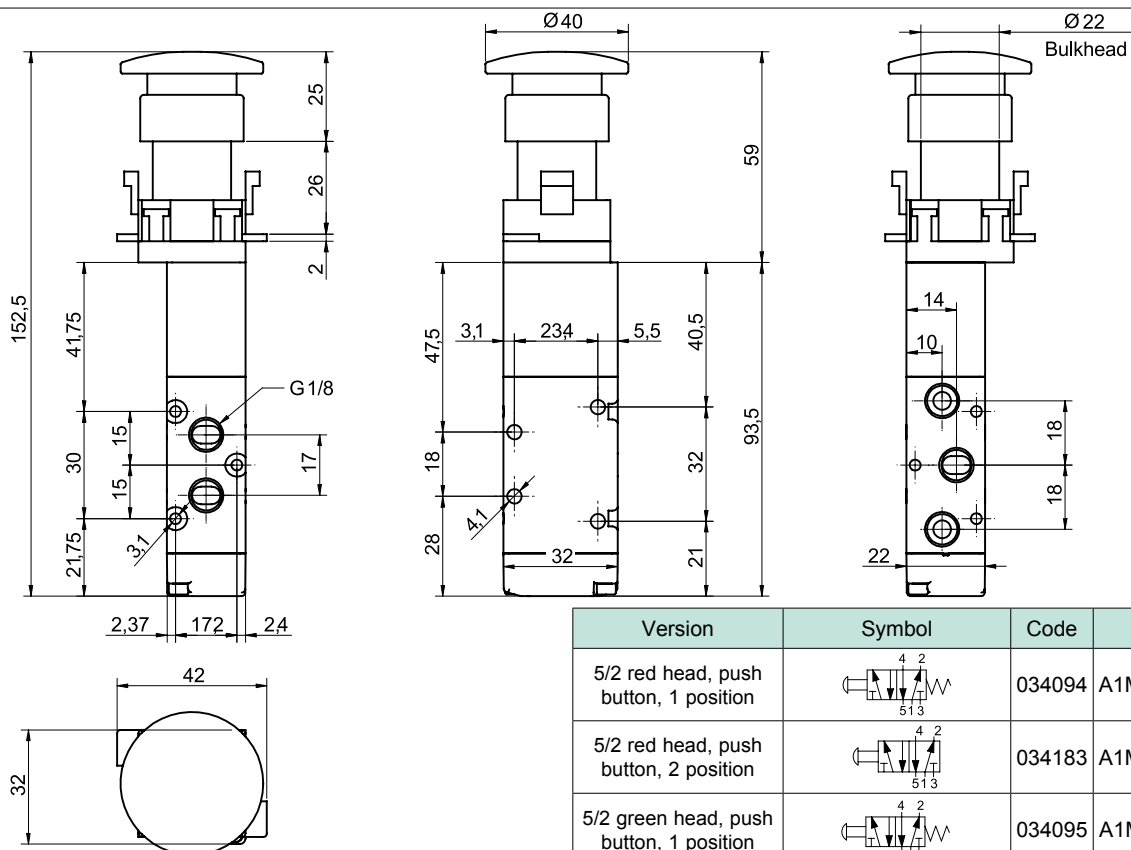
Version	Symbol	Code	Item
5/3 side lever, closed centres, 3 positions		034068	A1MA173LL
5/3 side lever, open centres, 3 positions		034067	A1MA174LL
5/3 side lever, pressurised centres, 3 positions		034069	A1MA175LL



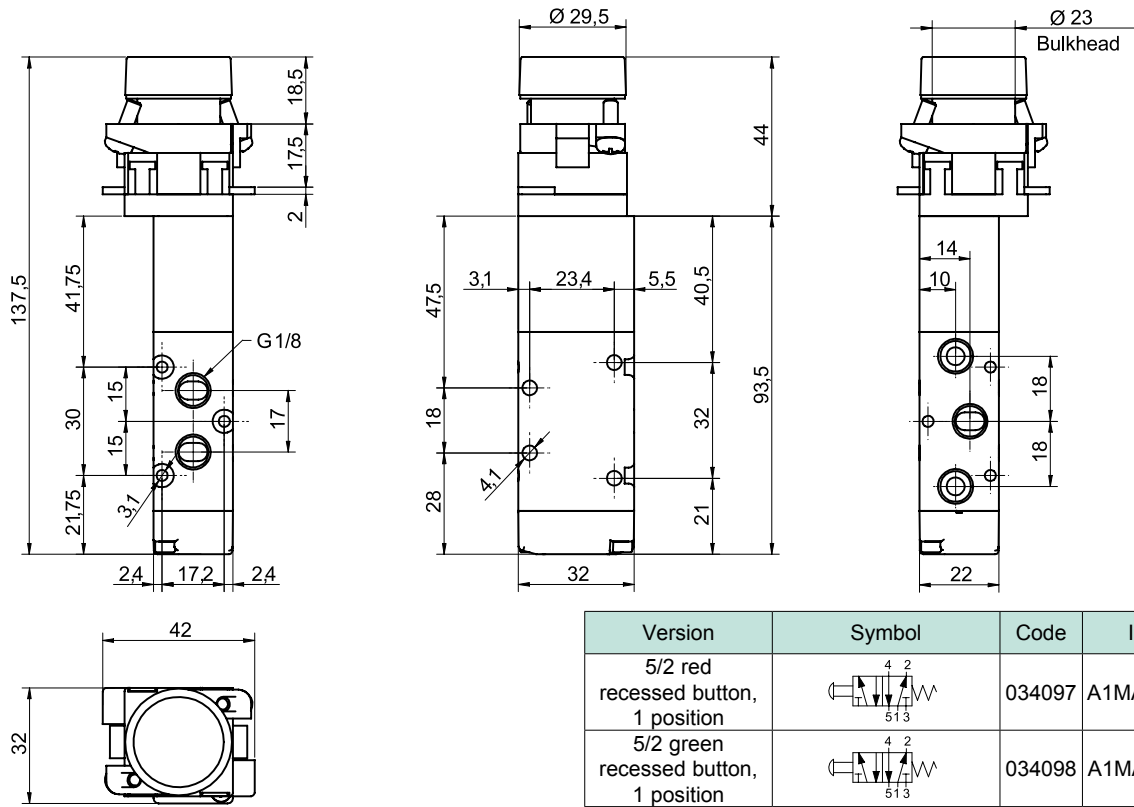
Version	Symbol	Code	Item
5/2 top lever, 2 positions		034091	A1MA151LT



Version	Symbol	Code	Item
5/2 push-pull, 1 position		034092	A1MA150TT
5/2 push-pull, 2 positions		034093	A1MA151TT



Version	Symbol	Code	Item
5/2 red head, push button, 1 position		034094	A1MA150FR
5/2 red head, push button, 2 position		034183	A1MA151FR
5/2 green head, push button, 1 position		034095	A1MA150FV
5/2 black head, push button, 1 position		034096	A1MA150FN



Version	Symbol	Code	Item
5/2 red recessed button, 1 position		034097	A1MA150BR
5/2 green recessed button, 1 position		034098	A1MA150BV
5/2 black recessed button, 1 position		034099	A1MA150BN