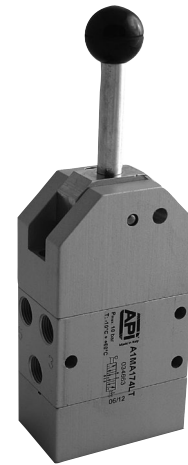


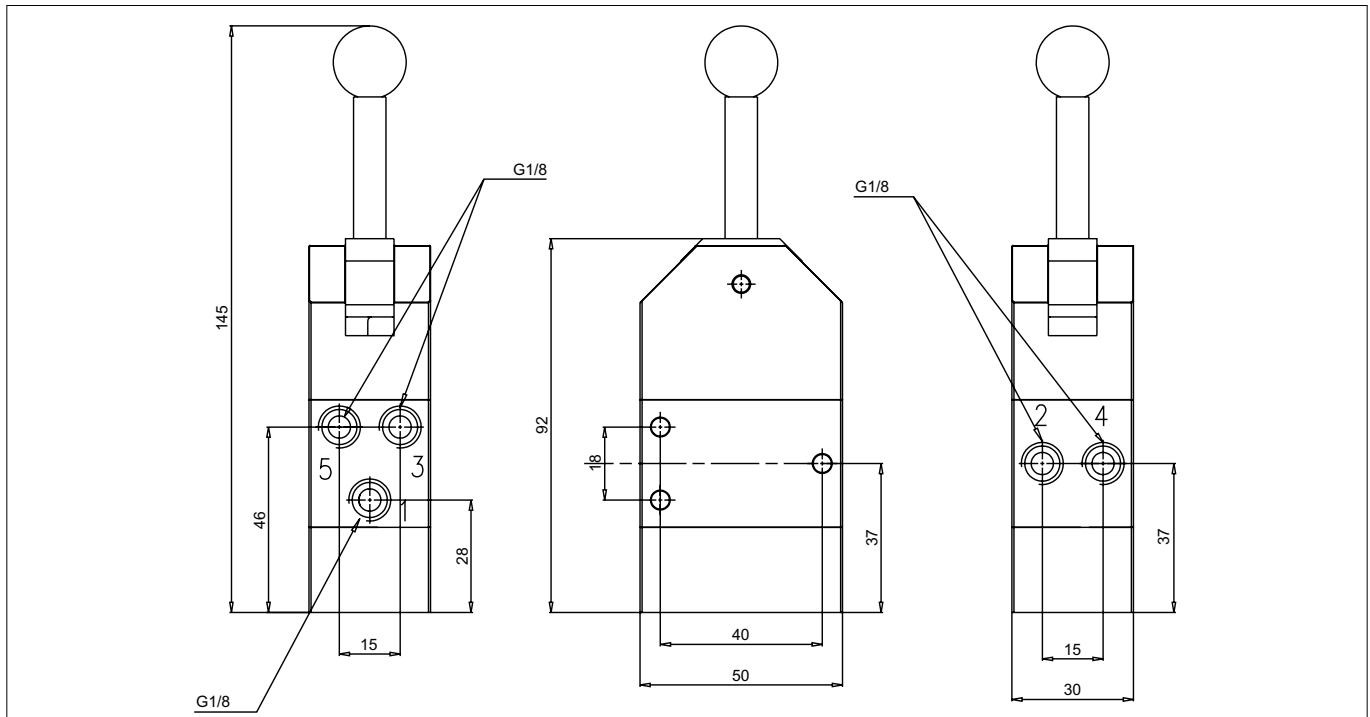
| Standard executions                        |        |        |           |
|--|--------|--------|-----------|
| Version                                    | Symbol | Code   | Item      |
| 5/3 , top lever open centres spring return |        | 034662 | A1MA171LT |
| 5/3 , top lever open centres 3 position    |        | 034663 | A1MA174LT |



Series of spool valves, with static seals, high flow.

### Code key

| Series | Actuation | Size     | Function   | Actuation      |
|--------|-----------|----------|--|----------------|
| A1     | MA=Manual | 1 = 1/8" | 71 = 5/3 CA spring return<br>74 = 5/3 CA 3 positions | LT = top lever |



| Technical data    |   |
|-------------------|---|
| Fluid             | Compressed filtered air with or without lubrication. Lubrication, if started, must be continued.  |
| Pressure range    | 0 ÷ 10 bar  |
| Temperature range | -10 °C ÷ + 80 °C  |
| Orifice           | 6,5 mm  |
| Flow              | 650 NI/min at 6 bar with ΔP 1 bar   |
| Mounting          | In any position   |
| Materials         | Body: Aluminium anodized<br>Cover: Aluminium anodized<br>End cap: Aluminium anodized<br>Spool: Chemical nickel plated aluminium<br>Distancers: Fortron 1140 L4<br>Seals: Hydrogenated Nitrile Butadiene Rubber (HNBR)<br>Lever: Steel |