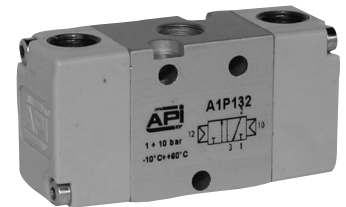


Standard executions			
Version	Symbol	Code	Item
3/2 NC		034014	A1P130
3/2 NA		034015	A1P131
3/2 pilot/pilot		034016	A1P132
3/2 pilot/pilot differential		034017	A1P133



Series of spool valves, with static seals, high flow, for panel or sub-base mounting.

For the sub-bases type A1B1... see page.2.65.1



II 2Gc IIC T5
II 2Dc T100°C

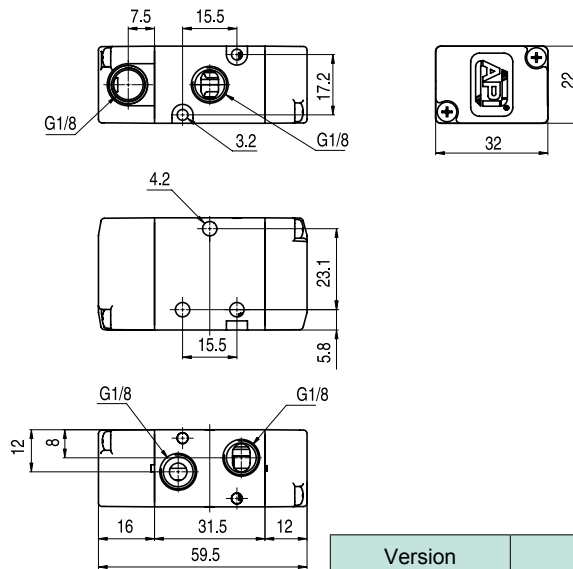
On request, they can be supplied according to 94/9/EC - **ATEX**

Code key

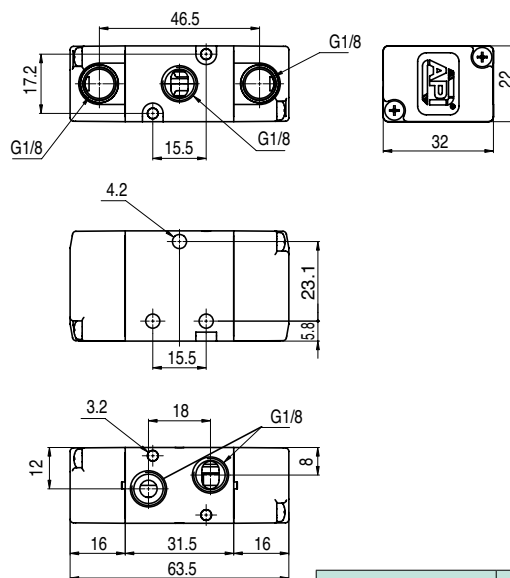
Series	Actuation	Size	Function
A1	P = pneumatic	1 = 1/8" 2 = 1/4"	30 = 3/2 NC 31 = 3/2 NA 32 = 3/2 pilot/pilot 33 = 3/2 pilot/pilot differential 50 = 5/2 pilot/spring 51 = 5/2 pilot/pilot 52 = 5/2 pilot/pilot differential 70 = 5/3 CC 71 = 5/3 CA 72 = 5/3 CP

Technical data

Fluid	Compressed filtered air with or without lubrication. Lubrication, if be used, must be continous.	
Pressure range	Monostable: 1,5 ÷ 10 bar	Bistable: 1 ÷ 10 bar
Temperature range	-10°C ÷ +60°C	
Orifice	6,5 mm	
Flow	650 NI/min at 6 bar with ΔP 1bar	
Minimum piloting pressure	1,5 bar	
Mounting	In any position	
Materials	Body:	Anodised aluminium
	Covers:	Delrin 500
	Spool:	Hard aluminium anodized
	Distancers:	Fortron 1140 L4
	Seals:	Hydrogenated Nitrile Butadiene Rubber (HNBR)



Version	Symbol	Code	Item
3/2 NC		034014	A1P130
3/2 NA		034015	A1P131



Version	Symbol	Code	Item
3/2 pilot/pilot		034016	A1P132
3/2 pilot/pilot differential		034017	A1P133