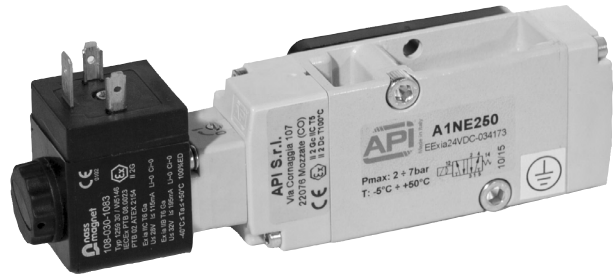


Standard executions			
Version	Symbol	Code	Item
3/2 NC solenoid/spring		034171	A1NE230/ EExia24VDC
3/2 solenoid/solenoid		034199	A1NE232/ EExia24VDC
5/2 solenoid/spring		034173	A1NE250/ EExia24VDC
5/2 solenoid/solenoid		034200	A1NE251/ EExia24VDC

New



Supplied according Directive 94/9/EC - Encapsulated coil

Series of spool valves, with static seals, high flow, for mounting on NAMUR interface and conforming to 94/9/EC Directive, certified:

II 2Gc IIC T5
II 2Dc T100°C

Low consumption solenoid operator, conforming to 94/9/EC Directive, certified:

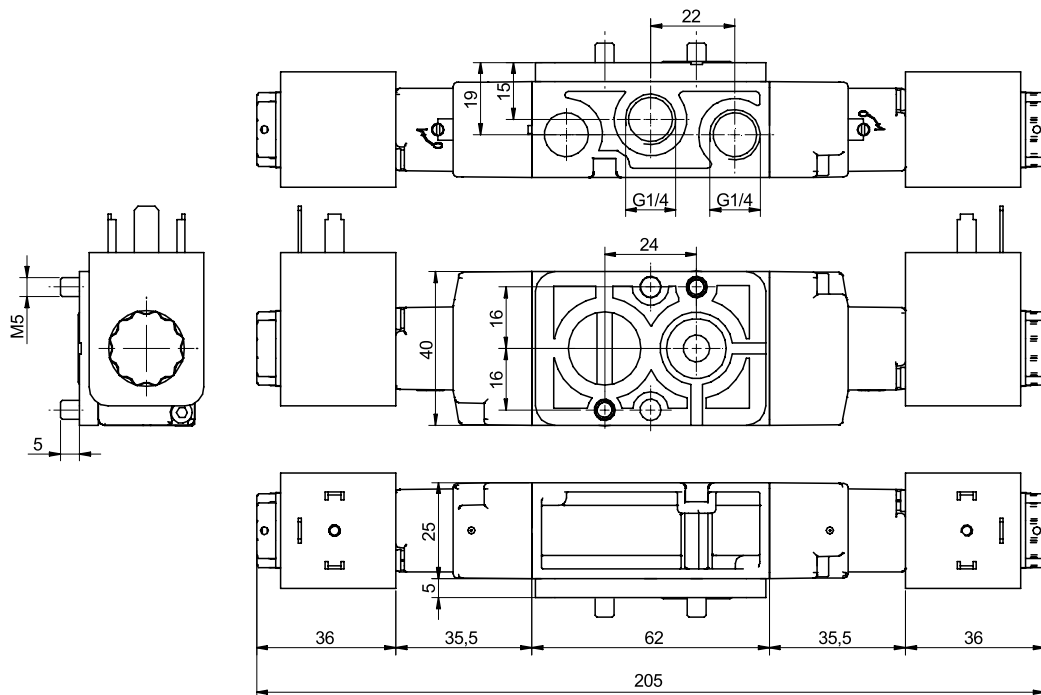
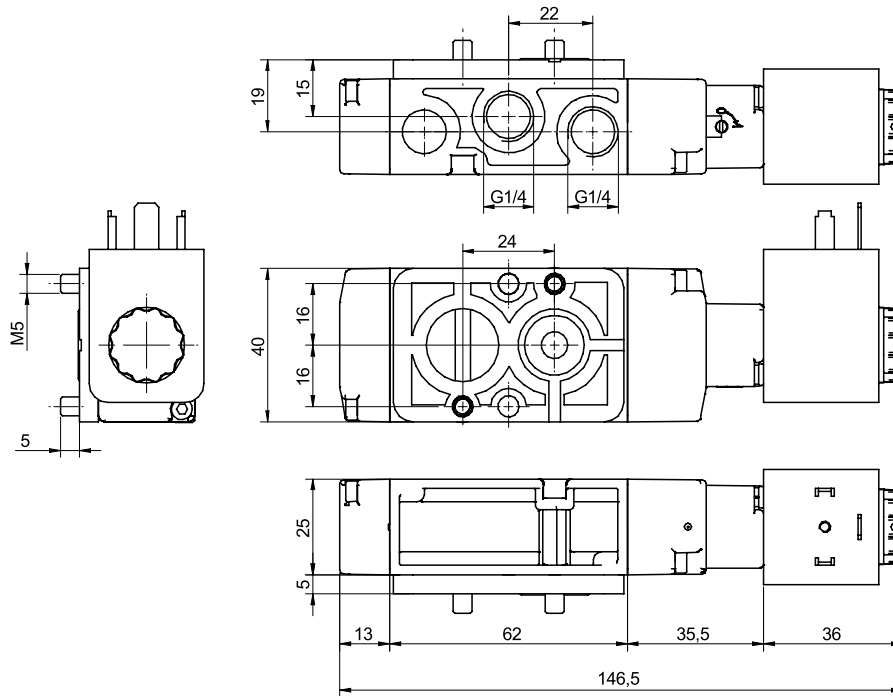
II 2G EEx ia IIC T6 - Intrinsic Safety

Code key

Series	Actuation	Size	Function	Electropilot
A1	NE= NAMUR	2 = 1/4"	30 = 3/2 NC 32 = 3/2 solenoid/solenoid 52 = 3/2 solenoid/spring 32 = 3/2 solenoid/solenoid 32 = 3/2 solenoid/solenoid	EExia24VDC

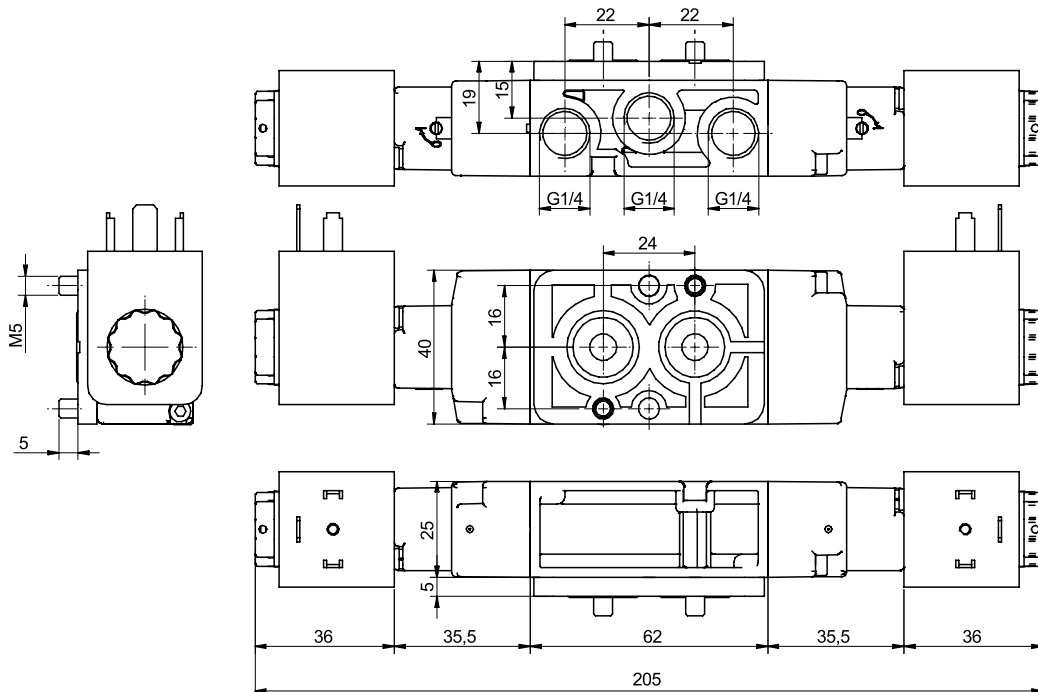
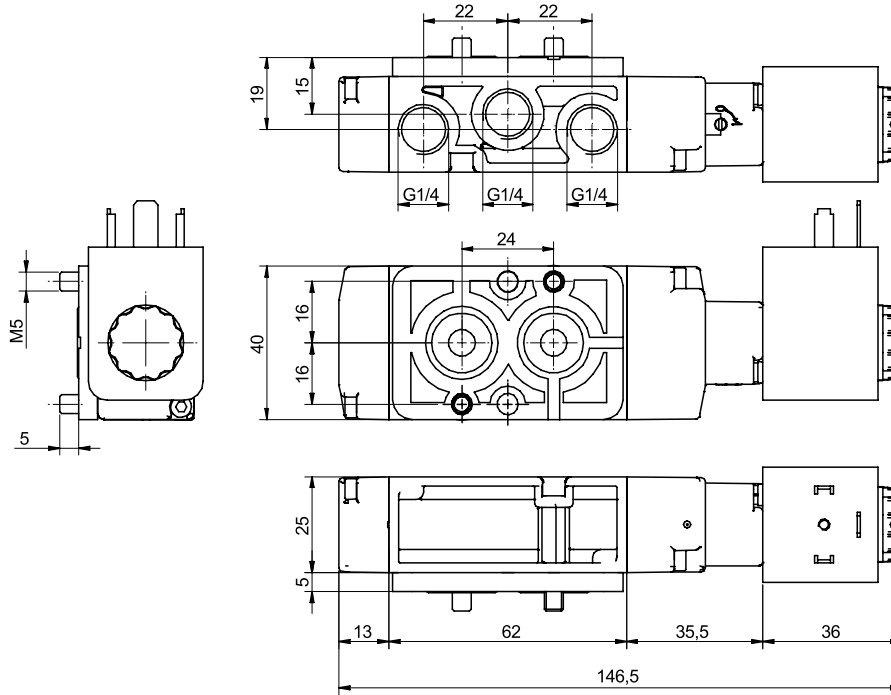
Technical data	
Fluid	Compressed filtered air with or without lubrication. Lubrication, if started, must be continued.
Pressure range	2 ÷ 7 bar with bobina 24VDC EEx ia
Temperature range	-10°C ÷ +50°C
Orifice	7 mm
Flow	1.000 NI/min at 6 bar with ΔP 1 bar
Mounting	In any position
Manual override	Two stable positions
Electrical characteristic	21.6 ÷ 28 VDC
Admissible maximum	32V DC 195mA 1.6W
Duty cycle	100% ED
Materials	Body: Die-cast painted aluminium Covers: Delrin 500 Spool: Hard aluminium anodized Distancers: Fortron 1140 L4 Seals: Hydrogenated Nitrile Butadiene Rubber (HNBR) Coil: Thermoset Resin Spacer: Plastic

Version	Symbol	Code	Item
3/2 NC solenoid/spring		034171	A1NE230/ EExia24VDC



Version	Symbol	Code	Item
3/2 solenoid/solenoid		034199	A1NE232/ EExia24VDC

Version	Symbol	Code	Item
5/2 solenoid/spring		034173	A1NE250/ EExia24VDC



Version	Symbol	Code	Item
5/2 solenoid/solenoid		034200	A1NE251/ EExia24VDC