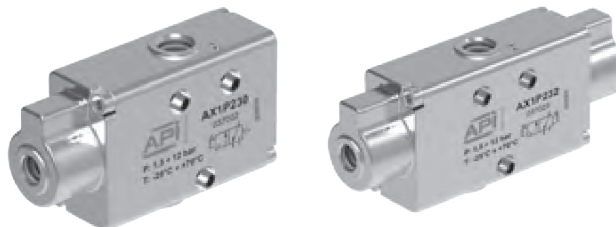


Standard executions			
Version	Symbol	Code	Item
3/2 NC		037002	AX1P230
3/2 NO		037022	AX1P231
3/2 pilot/pilot		037023	AX1P232

New



New series of "AX" valves with functions 3/2 connections in line on the body and pneumatic pilot.

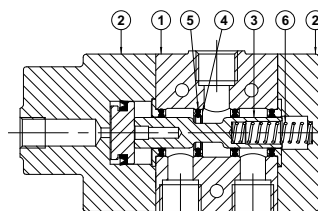
They are manufactured in AISI 316L stainless steel, especially suitable in the food, chemical, pharmaceutical, Oil & Gas and mining industry.

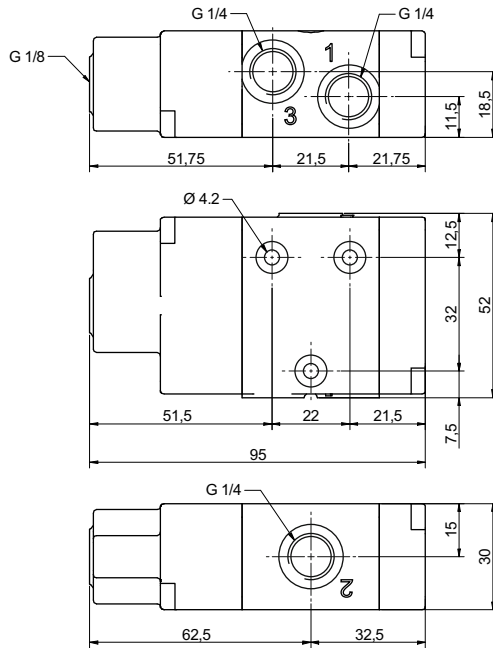
AX valves are manufactured according to 2014/34/EU Directive to be used in potentially explosive environment.

II 2Gc IIB T5
II 2Dc T100°C

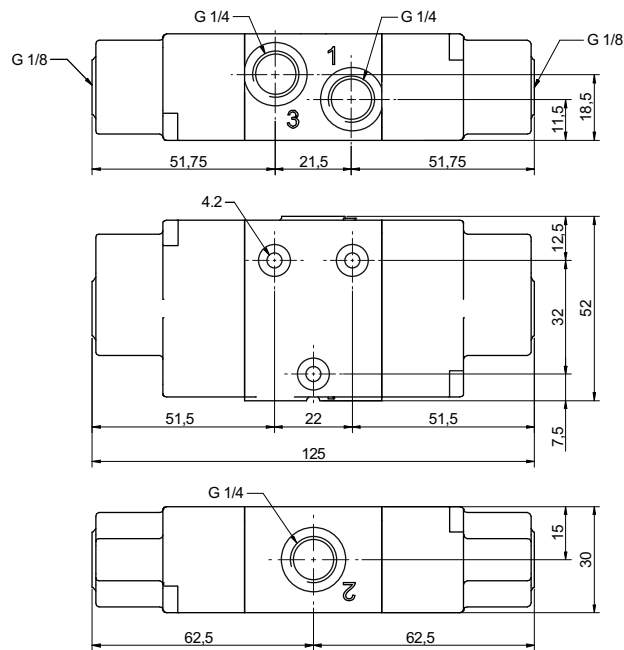
Code key				
Series	Actuation	Size	Function	Option
AX1 = Standard AXX1 = Completely in stainless steel	P = pneumatic	2 = 1/4 Gas 2N = 1/4 NPT	30 = 3/2 NC 31 = 3/2 NO 32 = 3/2 pilot/pilot	V = Seals FKM

Technical data	
Fluid	Compressed filtered air with or without lubrication. Lubrication, if started, must be continued.
Threaded connection	1/4 Gas - 1/4 NPT
Pressure range	Spring return: 1,5 + 12 bar Bistable: 1 + 12 bar
Temperature range	-25°C + +70°C -10°C + +150°C (V)
Ø Orifice	8 mm
Flow	1.100 NI/min at 6 bar with ΔP 1 bar
Mounting	In any position (vertical assembly is not recommended for bistable valves subjected to vibration)
Response time (at 6 bar)	Energising: - ms Energising: - ms De-energising: - ms De-energising: - ms
Materials	(1) Body: Stainless steel AISI 316L
	(2) Cover: Stainless steel AISI 316L
	(3) Spool: Hard aluminium anodized (AX1 series) Stainless steel AISI 316 (AXX1 series)
	(4) Distancers: Fortron 1140L4 (AX1 series) Stainless steel AISI 316 (AXX1 series)
	(5) Seals: Hydrogenate Nitrile Butadine Rubber (HNBR)
	(6) Spring: Stainless steel





Version	Symbol	Code	Item
3/2 NC		037002	AX1P230
3/2 NO		037022	AX1P231



Version	Symbol	Code	Item
3/2 pilot/pilot		037023	AX1P232