

Standard executions			
Version	Symbol	Code	Item
3/2 NC side lever, 1 position		034077	A1MA230LL
3/2 side lever, 2 positions		034076	A1MA232LL
3/2 top lever, 2 positions		034100	A1MA232LT
3/2 NC push-pull, 1 position		034103	A1MA230TT
3/2 push-pull, 2 positions		034104	A1MA232TT



Series of spool valves, with static seals, high flow, for panel or sub-base mounting.



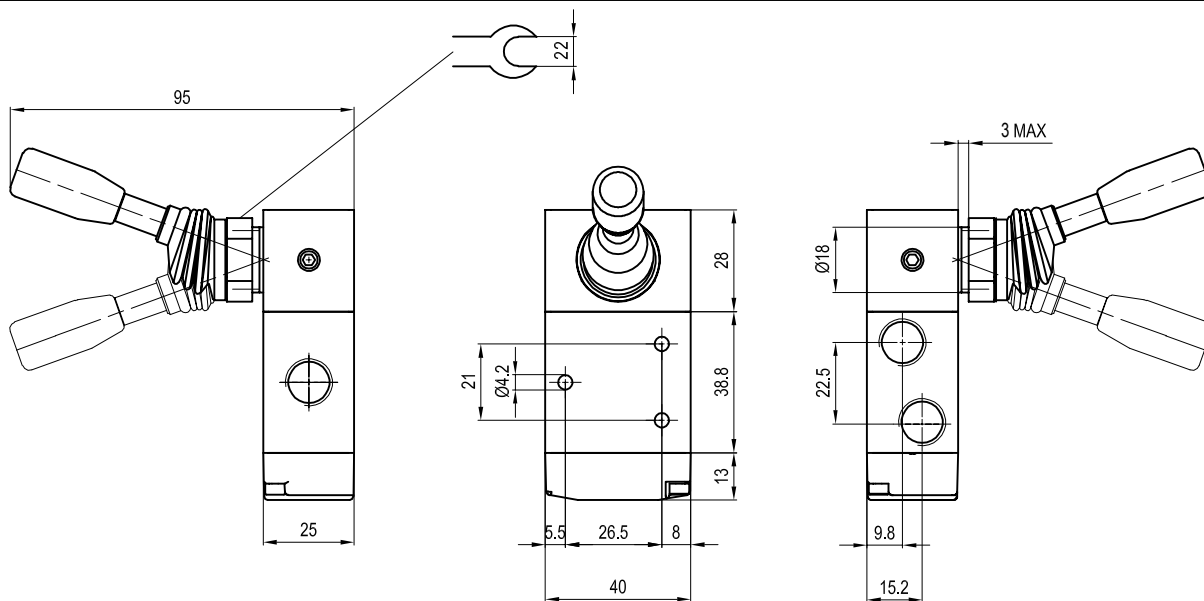
II 2Gc IIC T5
II 2Dc T100°C

On request, they can be supplied according to 94/9/EC - **ATEX**

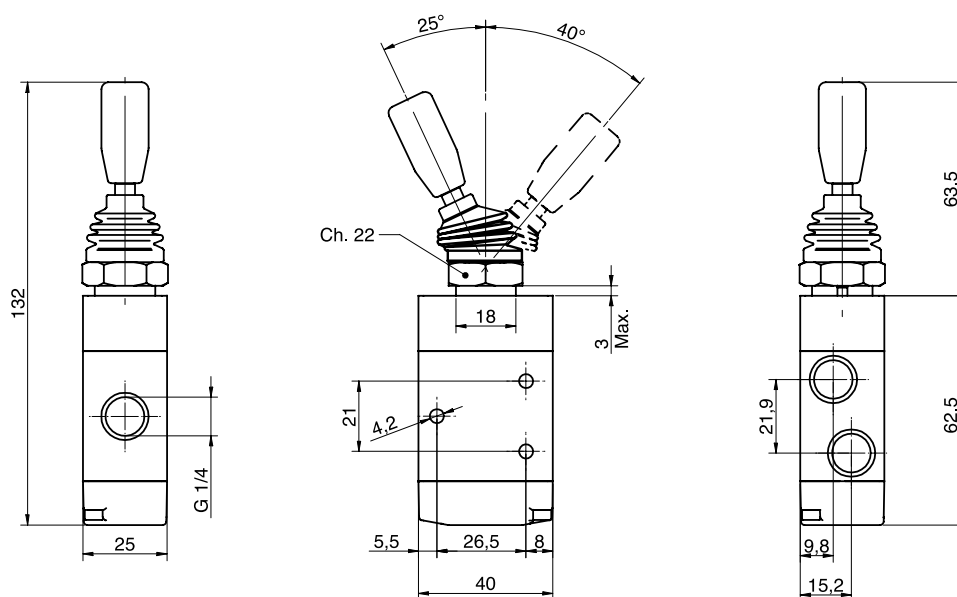
Code key

Series	Actuation	Size	Function	Actuation
A1	MA=Manual	1 = 1/8" 2 = 1/4"	30 = 3/2 NC spring return 32 = 3/2 two stable positions 50 = 5/2 spring return 51 = 5/2 two stable positions 70 = 5/3 CC spring return 71 = 5/3 CA spring return 72 = 5/3 CP spring return 73 = 5/3 CC 3 positions 74 = 5/3 CA 3 positions 75 = 5/3 CP 3 positions	LL = side lever LT = top lever TT = push-pull FR = red head push botton FV = green head push botton FN = black head push botton BR = red recessed botton BV = green recessed botton BN = black recessed botton

Technical data	
Fluid	Compressed filtered air with or without lubrication. Lubrication, if started, must be continued.
Pressure range	0 ÷ 10 bar
Temperature range	-10 °C ÷ + 80°C
Orifice	8 mm
Flow	1100 NI/min at 6 bar with ΔP 1 bar
Mounting	In any position
Materials	Body: Aluminium anodized Cover: Aluminium anodized Bottom plates: Delrin 500 Spool: Chemical nickel plated aluminium Distancers: Fortron 1140 L4 Seals: Hydrogenated Nitrile Butadiene Rubber (HNBR) Lever: Steel



Version	Symbol	Code	Item
3/2 NC side lever, 1 position		034077	A1MA230LL
3/2 side lever, 2 positions		034076	A1MA232LL

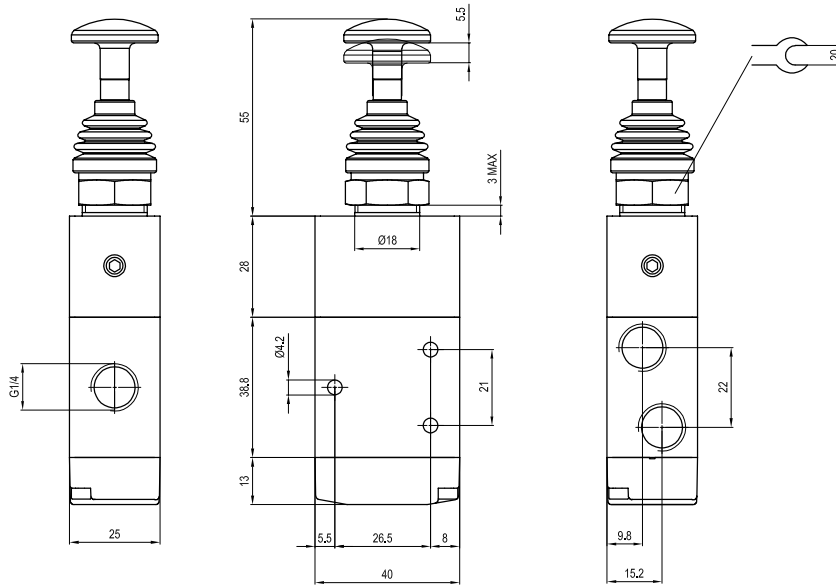


Version	Symbol	Code	Item
3/2 top lever, 2 positions		034100	A1MA232LT



Valves series A1

1/4", 3/2, manually operated



Version	Symbol	Code	Item
3/2 NC push-pull, 1 position		034103	A1MA230TT
3/2 push-pull, 2 positions		034104	A1MA232TT