

New

Standard executions			
Version	Symbol	Code	Item
5/2 pilot/spring		037001	AX1P250
5/2 pilot/pilot		037024	AX1P251
5/2 pilot/pilot differential		037025	AX1P252
5/3 closed centres		037026	AX1P270
5/3 open centres		037027	AX1P271
5/3 pressurised centres		037028	AX1P272



New series of "AX" valves with functions 5/2 - 5/3 connections in line on the body and pneumatic pilot.

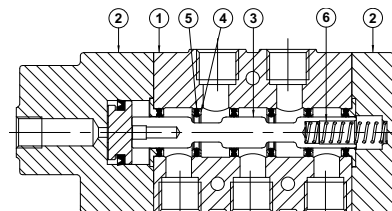
They are manufactured in AISI 316L stainless steel, especially suitable in the food, chemical, pharmaceutical, Oil & Gas and mining industry.

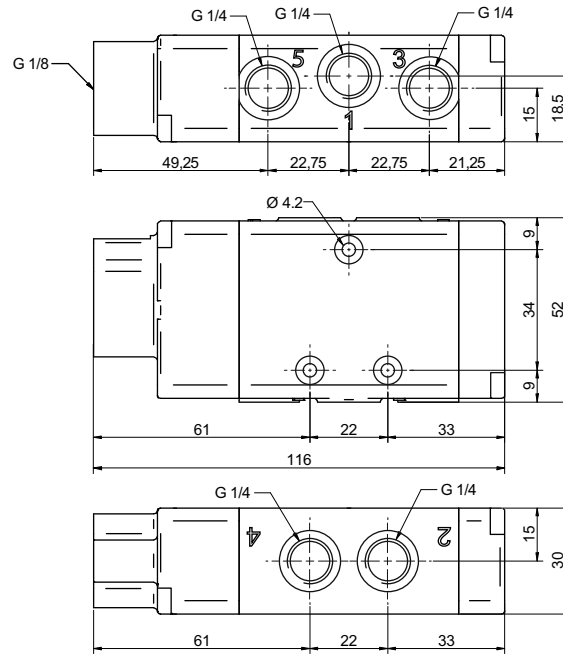
AX valves are manufactured according to 2014/34/EU Directive to be used in potentially explosive environment.

II 2Gc IIB T5
II 2Dc T100°C

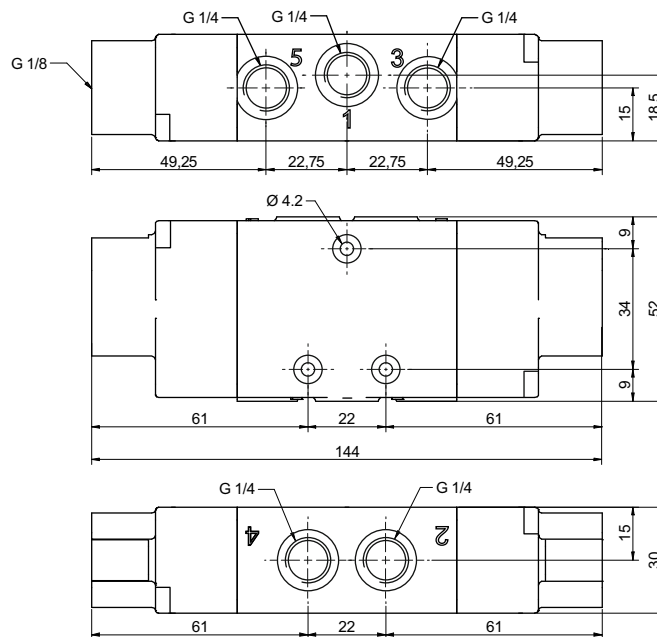
Code key				
Series	Actuation	Size	Function	Option
AX1 = Standard AXX1 = Completely in stainless steel	P = pneumatic	2 = 1/4 Gas 2N = 1/4 NPT	50 = 5/2 pilot/spring 51 = 5/2 pilot/pilot 52 = 5/2 pilot/pilot differential 70 = 5/3 CC 71 = 5/3 OC 72 = 5/3 PC	V = Seals FKM

Technical data		
Fluid	Compressed filtered air with or without lubrication. Lubrication, if started, must be continued.	
Threaded connection	1/4 Gas - 1/4 NPT	
Pressure range	Spring return: 1,5 ÷ 12 bar	Bistable: 1 ÷ 12 bar
Temperature range	-25°C ÷ +70°C	
	-10°C ÷ +150°C (V)	
Ø Orifice	8 mm	
Flow	1.100 NI/min at 6 bar with ΔP 1 bar	
Mounting	In any position (vertical assembly is not recommended for bistable valves subjected to vibration)	
Response time (at 6 bar)	Energising: - ms	Energising: - ms
	De-energising: - ms	De-energising: - ms
Materials	(1) Body:	Stainless steel AISI 316L
	(2) Cover:	Stainless steel AISI 316L
	(3) Spool:	Hard aluminium anodized (AX1 series) Stainless steel AISI 316 (AXX1 series)
	(4) Distancers:	Fortron 1140L4 (AX1 series) Stainless steel AISI 316 (AXX1 series)
	(5) Seals:	Hydrogenate Nitrile Butadine Rubber (HNBR)
	(6) Spring:	Stainless steel



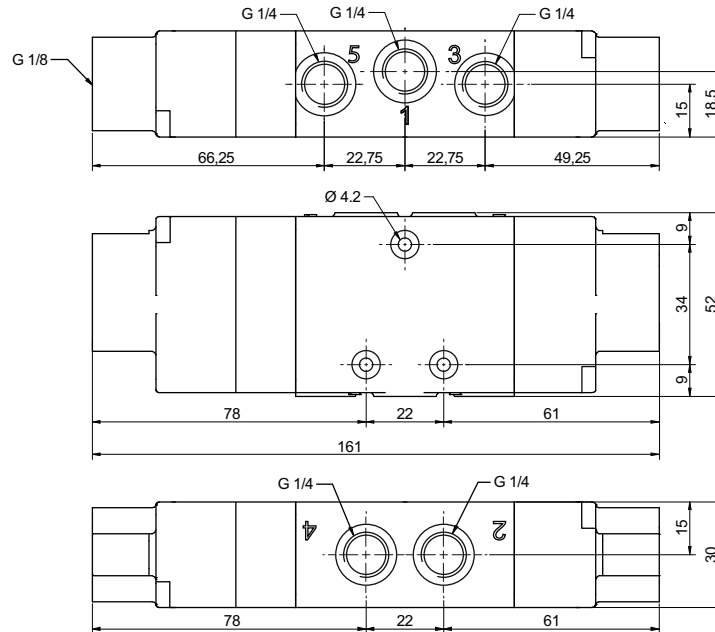


Version	Symbol	Code	Item
5/2 pilot/spring		037001	AX1P250



Version	Symbol	Code	Item
5/2 pilot/pilot		037024	AX1P251
5/2 pilot/pilot differential		037025	AX1P252

Valves series AX1
 1/4", 5/2 - 5/3, IN LINE interface, pneumatically operated



Version	Symbol	Code	Item
5/3 closed centres		037026	AX1P270
5/3 open centres		037027	AX1P271
5/3 pressurised centres		037028	AX1P272