

New



Standard executions			
Version	Symbol	Code	Item
3/2 NC - 24VDC		036000	A230A
3/2 NC - 12VDC		036030	A230B
3/2 NA - 24VDC		036001	A231A
3/2 NA - 12VDC		036031	A231B
3/2 solenoid/solenoid - 24VDC		036002	A232A
3/2 solenoid/solenoid - 12VDC		036032	A232B
2-3/2 NC-NA - 24VDC		036040	A233A
2-3/2 NC-NC - 24VDC		036041	A234A
2-3/2 NA-NA - 24VDC		036042	A235A
5/2 solenoid/spring - 24VDC		036003	A250A
5/2 solenoid/spring - 12VDC		036033	A250B
5/2 solenoid/solenoid - 24VDC		036004	A251A
5/2 solenoid/solenoid - 12VDC		036034	A251B
5/3 CC - 24VDC		036005	A270A
5/3 CC - 12VDC		036035	A270B
5/3 CA - 24VDC		036006	A271A
5/3 CA - 12VDC		036036	A271B
5/3 CP - 24VDC		036007	A272A
5/3 CP - 12VDC		036037	A272B

Series of spool valves, for multi-pole connection on island sub-base.

This series of modern valves are innovative and highly performing:

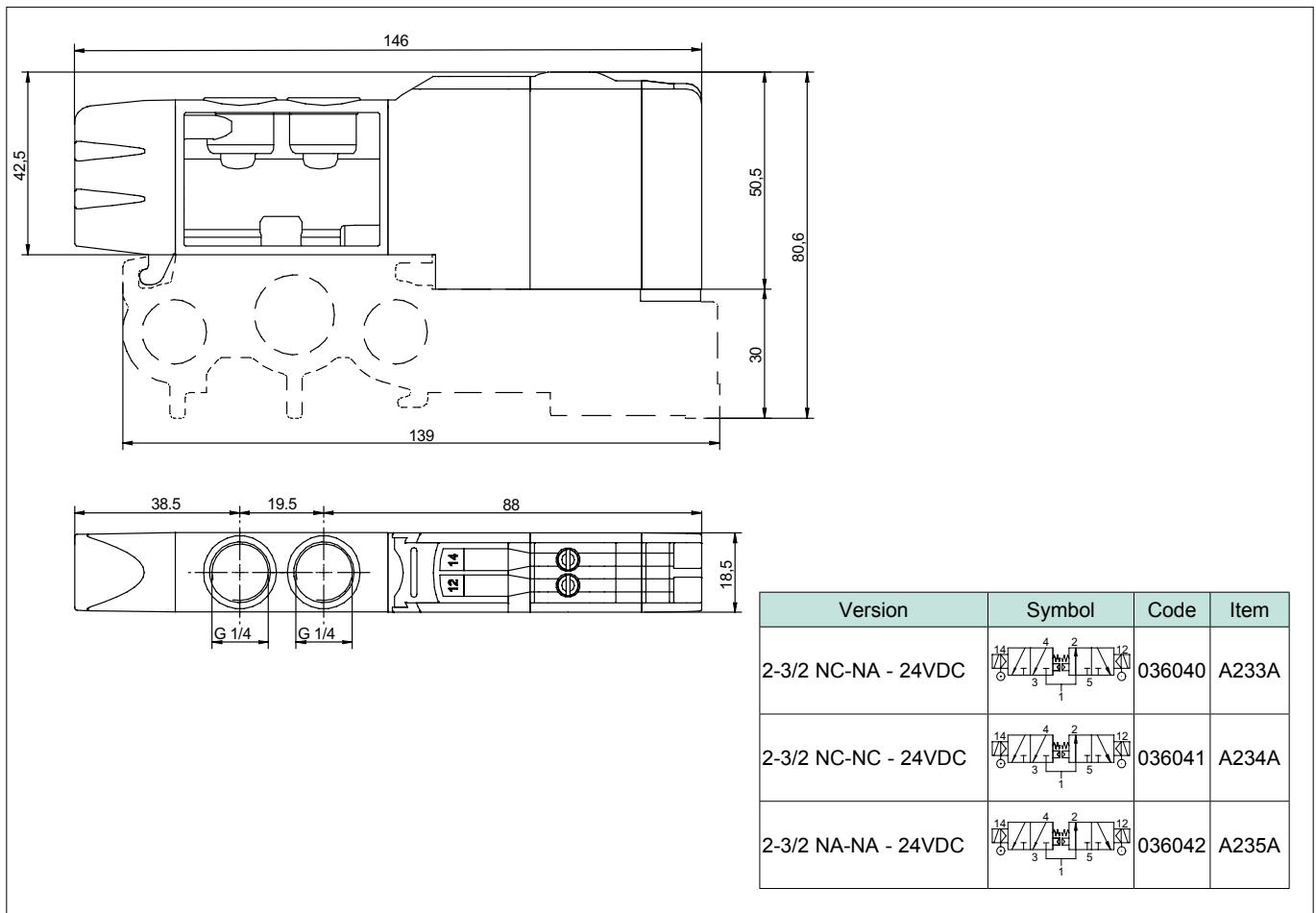
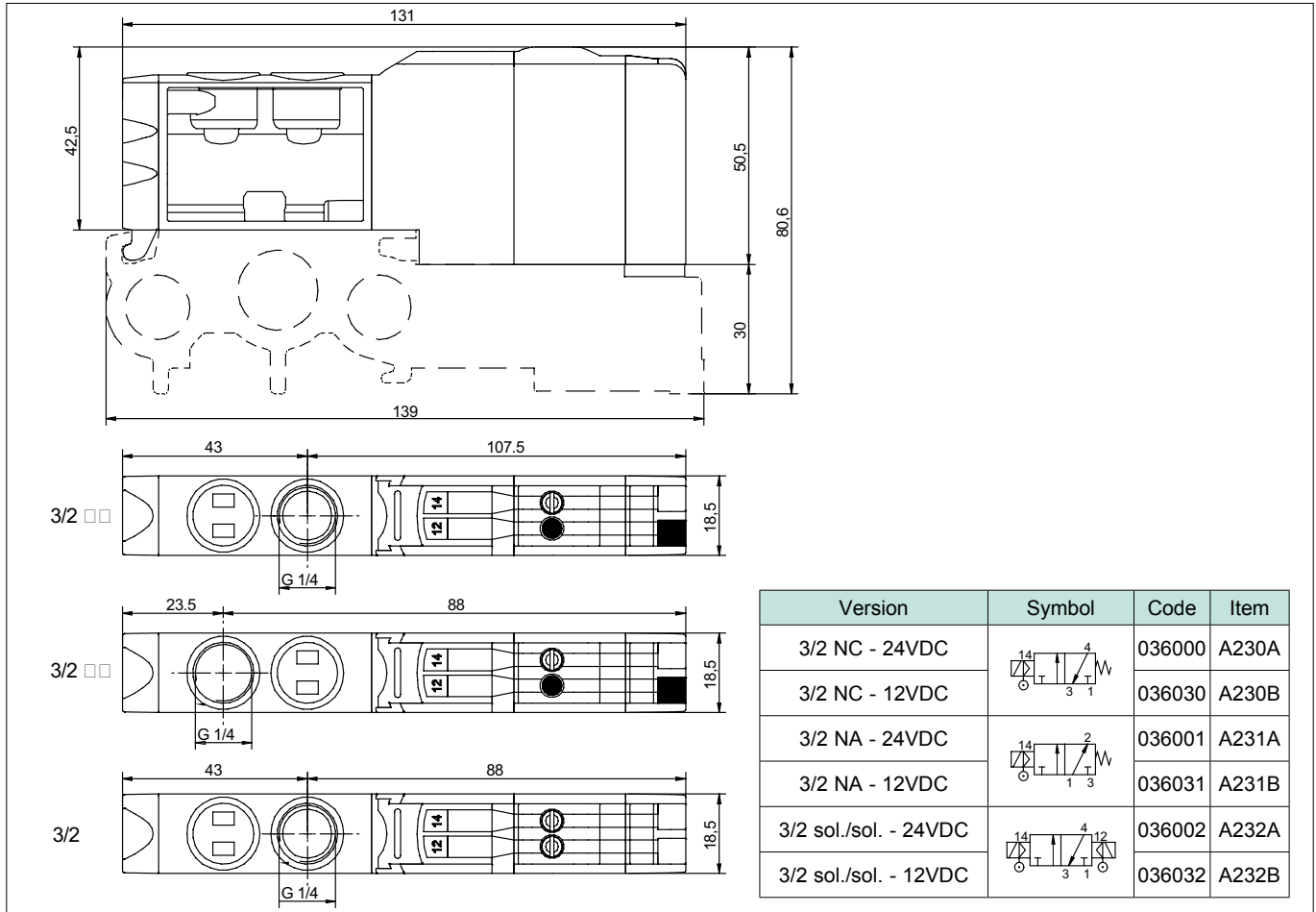
- With reduced overall dimensions and high flow rates;
- Electric pilots on solenoid / solenoid version are both on same side;
- Coils with low power consumption;
- Possibility of feeding with different pressures different valves (by integrating a membrane module within the base);
- Can be set for separate internal feeding;
- Fast and practical assembly: each valve, even if in an intermediate position, can be easily replaced by individually operating on such valve only;
- "Push" manual override, spring return and two position;
- With LED.

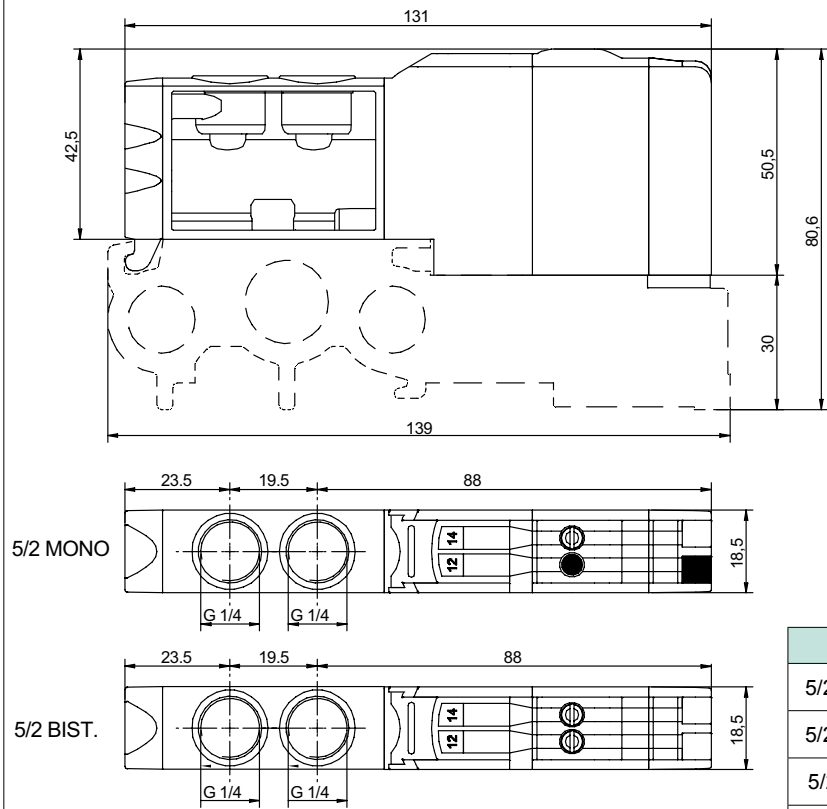
For bases and accessories
For configurations

see page 2.105.4
see page 2.105.7

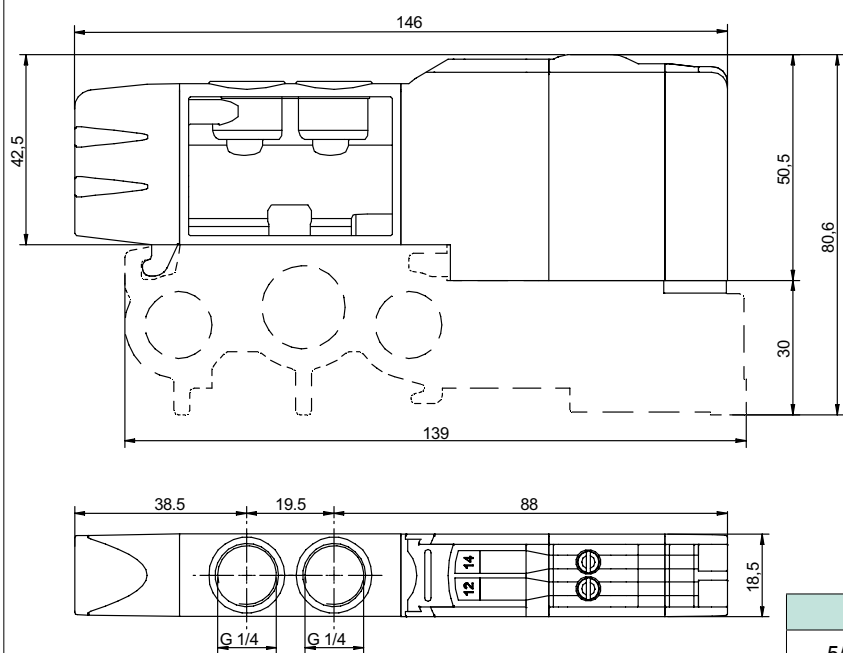
Series	Function	Voltage
A2	30 = 3/2 NC 31 = 3/2 NA 32 = 3/2 solenoid/solenoid 33 = 2-3/2 NC-NA 34 = 2-3/2 NC-NC 35 = 2-3/2 NA-NA 50 = 5/2 solenoid/spring 51 = 5/2 solenoid/solenoid	70 = 5/3 CC 71 = 5/3 CA 72 = 5/3 CP
		A = 24VDC B = 12VDC

Technical data			
Fluid	Compressed filtered air with or without lubrication. Lubrication, if started, must be continued.		
Pressure range	Max 7 bar		
Temperature range	-5 °C ÷ + 50°C		
Minimum piloting pressure	Monostable: 2,5 bar	Bistable: 1 bar	3 positions: 2,5 bar
Orifice	7 mm		
Flow	850 l/min at 6 bar with ΔP 1 bar		
Mounting	In any position		
Manual override	Push mono and two stable positions		
Electric control	24 VDC (standard)		12 VDC (on request)
Electrical consumption	1.5 W		1.4 W
Duty cycle	100% ED		100% ED
LED	Red		Red
Materials	Body:	Die-cast painted aluminium	
	Covers:	PBT	
	Spool:	Hard aluminium anodized	
	Distancers:	Aluminium	
	Seals:	Hydrogenated Nitrile Butadiene Rubber (HNBR)	





Version	Symbol	Code	Item
5/2 sol./spring - 24VDC		036003	A250A
5/2 sol./spring - 12VDC		036033	A250B
5/2 sol./sol. - 24VDC		036004	A251A
5/2 sol./sol. - 12VDC		036034	A251B



Version	Symbol	Code	Item
5/3 CC - 24VDC		036005	A270A
5/3 CC - 12VDC		036035	A270B
5/3 CA - 24VDC		036006	A271A
5/3 CA - 12VDC		036036	A271B
5/3 CP - 24VDC		036007	A272A
5/3 CP - 12VDC		036037	A272B