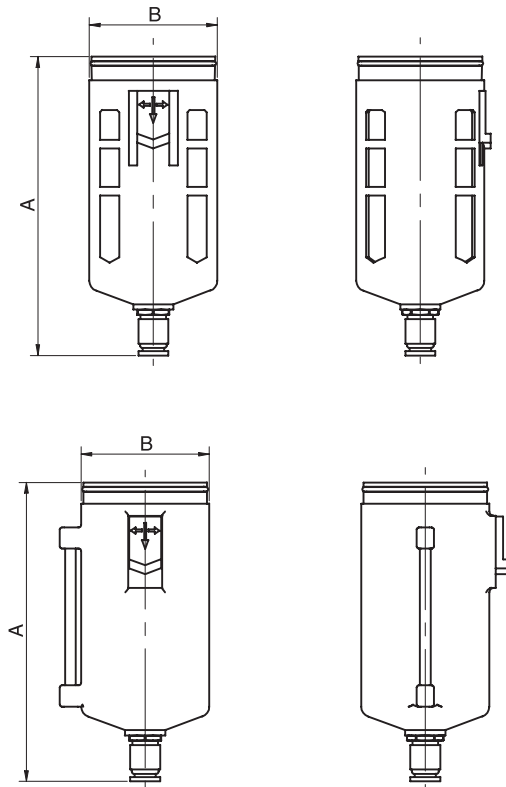


Standard executions	
Version	Type
TMetal cup for filter	TM..F
Metal cup for lubricator	TM..L
"T" porting block	DT..
"L" spacer with bracket	DSL..
"L" bracket	SL..
"T" spacer with bracket	DST..
"T" bracket	ST..
Bracket for regulator and filter-regulator	SR..
Bracket for filter and lubricator	SFL..
Spacer	D..
Manual condense drain valve	VMS..
Polycarbonate cup for filter with metal protection	TP..F
Polycarbonate cup for lubricator with metal protection	TP..L
Standard filter cartridge (25 µ)	CA../25
Filter cartridge 5 µ	CA../5
Diaphragm for regulator	DF..
Oil regulation kit	OL..
Cup seal	ORT..



Cup for filter



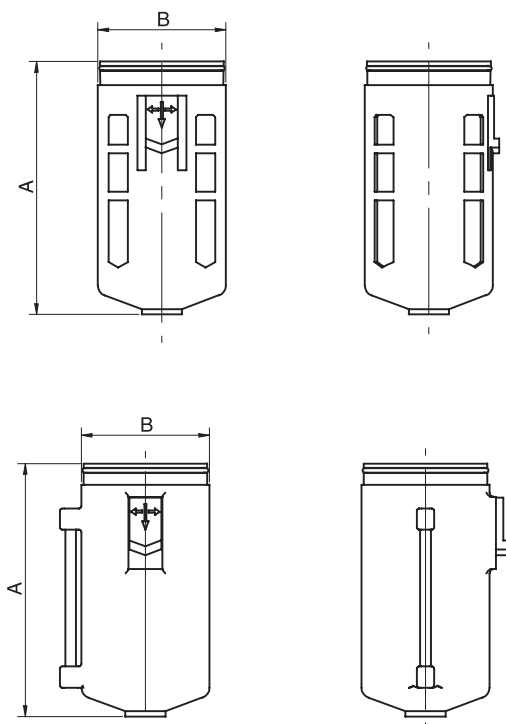
Polycarbonate  
with metal protection

Code	Size	Item	A	B
090155	1/4"	TP14F	92	36
090156	3/8"	TP38F	114	44
090157	1/2"	TP12F	140	60
090158	1"	TP01F	140	60

Metal cup

Code	Size	Item	A	B
090121	1/4"	TM14F	92	36
090122	3/8"	TM38F	114	44
090123	1/2"	TM12F	140	60
090124	1"	TM01F	140	60

Cup for lubricator



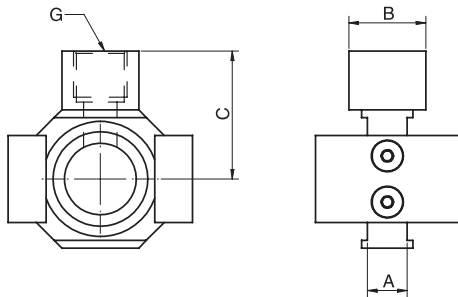
Polycarbonate  
with metal protection

Code	Size	Item	A	B
090159	1/4"	TP14L	72	36
090160	3/8"	TP38L	90	44
090161	1/2"	TP12L	118	60
090162	1"	TP01L	118	60

Metal cup

Code	Size	Item	A	B
090125	1/4"	TM14L	72	36
090126	3/8"	TM38L	90	44
090127	1/2"	TM12L	118	60
090128	1"	TM01L	118	60

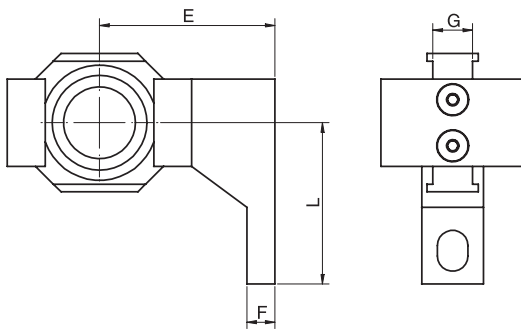
"T" porting block (only for F+RR+L)



Code	Item	Size	A	B	C	G
090129	DT14	1/4"	10	19	29	1/4"
090130	DT38	3/8"	11	19	33	1/4"
090131	DT12	1/2"	14	24	39	3/8"
090132	DT01	1"	15	30	50,5	1/2"

It can only be mounted between the filter and regulator

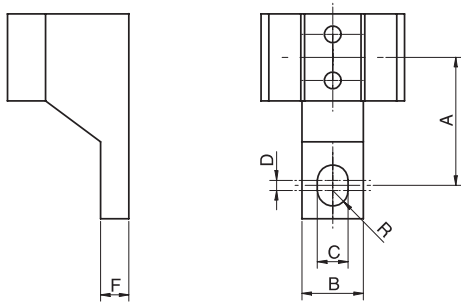
"L" spacer with bracket



Code	Item	Size	E	F	L	G
090133	DSL14	1/4"	30	5	33	10
090134	DSL38	3/8"	41	7	45	11
090135	DSL12	1/2"	50	7	50	14
090136	DSL01	1"	69,8	10,5	63	15

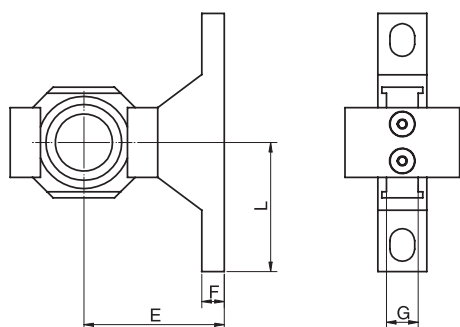
For bracket dimensions see below table (type SL)

"L" bracket



Code	Item	Size	A	B	C	D	F	R
090163	SL14	1/4"	24	15	5,5	3	5	2,75
090164	SL38	3/8"	35	16	7	4	7	3,5
090165	SL12	1/2"	40	22	9	4	7	4,5
090166	SL01	1"	50	23	12	4	10,5	6

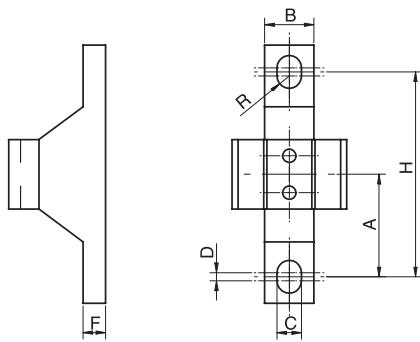
"T" spacer with bracket



Code	Item	Size	E	F	L	G
090137	DST14	1/4"	30	5	33	10
090138	DST38	3/8"	41	7	45	11
090139	DST12	1/2"	50	7	50	14
090140	DST01	1"	69,8	10,5	63	15

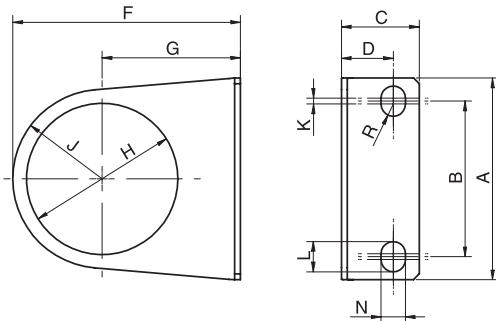
For bracket dimensions see next page table (type ST)

"T" bracket



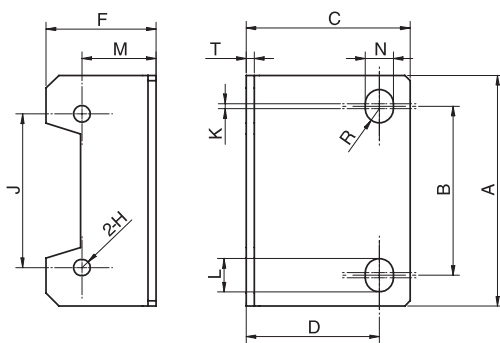
Code	Item	Size	A	B	C	D	F	H	R
090167	ST14	1/4"	24	15	5,5	3	5	48	2,75
090168	ST38	3/8"	35	16	7	4	7	70	3,5
090169	ST12	1/2"	40	22	9	4	7	80	4,5
090170	ST01	1"	50	23	12	4	10,5	100	6

Bracket for regulator and filter-regulator



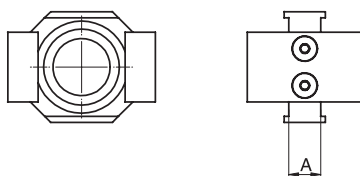
Code	Item	Size	A	B	C	D	F	G	H	J	K	L	N	R
090141	SR14	1/4"	55	34	25	19	50	30	33,5	20	1	15	5,4	2,7
090142	SR38	3/8"	53	40	21,5	14	64	39	42,5	25	1,5	8	6,5	3,25
090143	SR1201	1/2" - 1"	70	54	27	18	79,2	49,2	52,5	30	2	10,5	8,5	4,25

Bracket for filter and lubricator



Code	Item	Size	A	B	C	D	F	ΦH	J	K	L	M	N	R	T
090144	SFL14	1/4"	40	27	33	27	18	4,5	26	3	8,4	14	5,4	2,7	2,3
090145	SFL38	3/8"	53	40	39	32	22,5	4,5	35	1,5	8	19	6,5	3,25	2,3
090146	SFL12	1/2"	70	54	47	38	31,5	5,5	47	2	10,5	20	8,5	4,25	2,3
090147	SFL01	1"	90	66	64	52	43	6,5	60	2	13	29	11	5,5	3,2

Spacer



Code	Item	Size	A
090148	D14	1/4"	10
090149	D38	3/8"	11
090150	D12	1/2"	14
090151	D01	1"	15

Manual condense drain valve

Code	Item	Size	G	R	A	B	C	D	E	F	H	I	J
090152	VMS14	1/4"	G1/4	G1/8	40	59	39	28	22	40	32	41	Ø6
090153	VMS38	3/8"	G3/8	G1/4	53	78	49	30	28	45	41,5	53	Ø7,5
090154	VMS12	1/2"	G1/2	G3/8	70	84	52	36	36	45	41,5	53	Ø7,5

### Standard filter 25µ cartridge

Code	Size	Item
090171	1/4"	CA14/25
090172	3/8"	CA38/25
090173	1/2"	CA12/25
090174	1"	CA01/25

### Filter 5µ cartridge

Code	Size	Item
090175	1/4"	CA14/5
090176	3/8"	CA38/5
090177	1/2"	CA12/5
090178	1"	CA01/5

### Diaphragm for regulator

Code	Size	Item
090179	1/4"	DF14
090180	3/8"	DF38
090181	1/2"	DF12
090182	1"	DF01

### Oil regulation kit

Code	Size	Item
090183	1/4"	OL14
090184	3/8"	OL38
090184	1/2"	OL12
090184	1"	OL01

### Seals Cup

Code	Size	Item
090187	1/4"	ORT14
090188	3/8"	ORT38
090189	1/2"	ORT12
090190	1"	ORT01