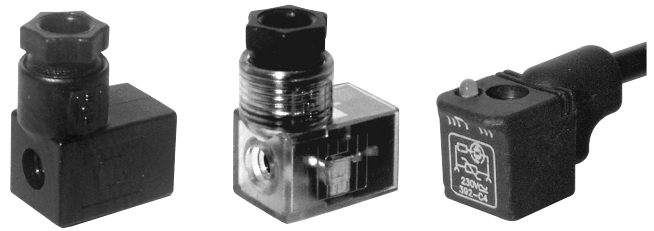
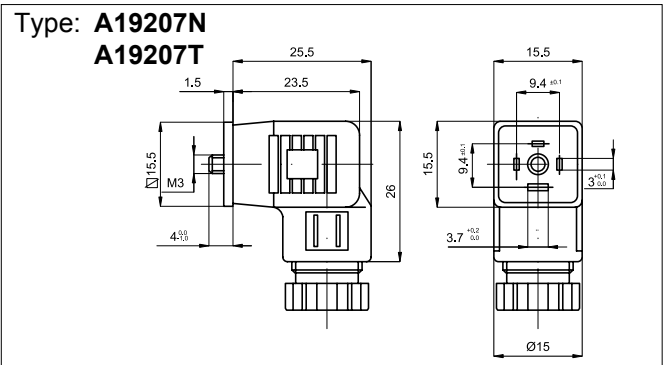


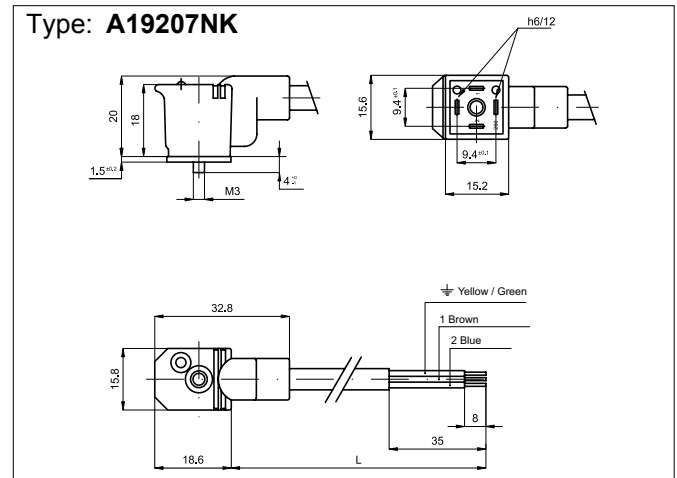
| Standard executions | | |
|---|--------|-----------|
| Version | Code | Item |
| Standard, black | 032117 | A19207N |
| Standard, black, cabled | 033511 | A19207NK |
| With LED+VDR, transparent 24 V, AC-DC | 032201 | A19207T1 |
| With LED+VDR, transparent 115 V, AC-DC | 032202 | A19207T2 |
| With LED+VDR, transparent 230 V, AC-DC | 032203 | A19207T3 |
| With LED+VDR, black cabled 24 V, AC-DC | 033512 | A19207N1K |
| With LED+VDR, black cabled 115 V, AC-DC | 033513 | A19207N2K |
| With LED+VDR, black cabled 230 V, AC-DC | 033514 | A19207N3K |



Series of connectors for coils ASA19.
 In the standard version they are provided with fixing screw and NBR profiled seal.
 In the provided versions the colour of the LED is yellow.



| Data of the standard cable | |
|----------------------------|-----------------------------------|
| Lenght | 2 mt. |
| Material | Self-extinguishing polypropylene |
| Colour | Grey |
| Wires colour | Conforming to ENEL 0722 standards |
| External diameter | 5,5 mm. |
| Insulation | 300 V |
| Temperature range | - 5 °C ÷ + 70 °C |
| Standard | CEI 2022 II OR |
| Wire section | 3x0,5 mm ² |



| Technical data | Standard | Transparent with circuit | Moulding |
|-----------------------------|----------------------------|--------------------------|--------------------------|
| Contact distance | 9,4 mm | 9,4 mm | 9,4 mm |
| Nominal voltage | AC max 250 V; DC max 300 V | 250 V | 250 V |
| Nominal current | 6 A | 6 A | - |
| Maximum current on contacts | 10 A | 10 A | - |
| Maximum current | - | - | 3 A |
| Contact resistance | ≤ 4 m Ohm | ≤ 4 m Ohm | ≤ 4 m Ohm |
| Maximum conductor section | 0,75 mm ² | 0,75 mm ² | - |
| Gland size option | Pg 07 | Pg 07 | - |
| Protection class | IP 65 EN 60529 | IP 65 EN 60529 | IP 65 EN 60529 |
| Insulation class | VDE 0110 - 1/89 | VDE 0110 - 1/89 | VDE 0110 - 1/89 |
| Temperature range | - 40°C ÷ + 90 °C | - 40°C ÷ + 90 °C | - 40°C ÷ + 90 °C |
| Earth contact (number) | 1 | 1 | 2, connected (pos. 6/12) |
| Poles | 2 | 2 | 2 |