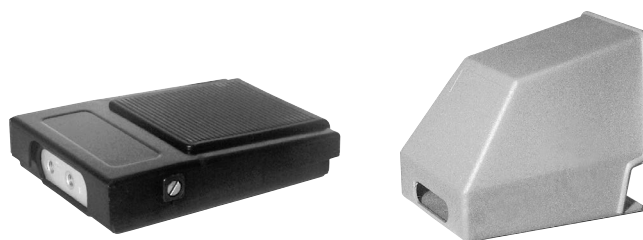


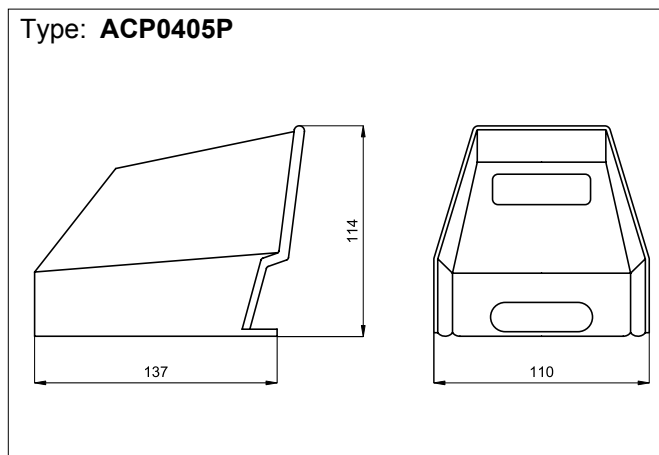
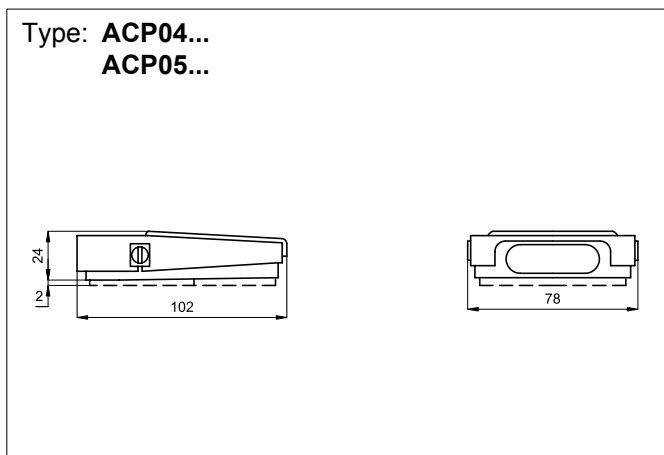
| Standard executions                                      |        |        |           |
|--|--------|--------|-----------|
| Version  | Symbol | Code   | Item      |
| 3/2, normally closed with integral 4 mm push-in fittings |        | 033173 | ACP04132C |
| 3/2, normally open with integral 4 mm push-in fittings   |        | 033174 | ACP04132A |
| 3/2, normally closed with M5 ports                       |        | 033175 | ACP05132C |
| 5/2, 1 position with integral 4 mm push-in fittings      |        | 033177 | ACP041520 |
| 5/2, 1 position with M5 ports                            |        | 033178 | ACP051520 |
| Yellow protection cover                                  |        | 033179 | ACP0405P  |



Series of pedals at low flow and with reduced dimensions, single stable position and with poppet valve.

In the standard version they are without protection; the protection cover type ACP0405P can be applied later on and is supplied separately.

They can be supplied with M5 ports valve or with integral 4 mm push-in fittings.



| Technical data        |  |          |                         |             |                             |                       |  |                   |                              |
|-----------------------|--|----------|-------------------------|-------------|-----------------------------|-----------------------|--|-------------------|------------------------------|
| Fluid                 | Compressed filtered air with or without lubrication. Lubrication, if started, must be continued.   |          |                         |             |                             |                       |  |                   |                              |
| Pressure range        | 2 ÷ 10 bar   |          |                         |             |                             |                       |  |                   |                              |
| Temperature range     | -15 °C ÷ + 60°C  |          |                         |             |                             |                       |  |                   |                              |
| Orifice               | 2,5 mm   |          |                         |             |                             |                       |  |                   |                              |
| Flow                  | 100 NI/min   |          |                         |             |                             |                       |  |                   |                              |
| Operating force       | 24 N   |          |                         |             |                             |                       |  |                   |                              |
| Materials             | <table border="0"> <tr> <td>Housing:</td> <td>Black zinc plated steel</td> </tr> <tr> <td>Valve body:</td> <td>Profiled anodised aluminium</td> </tr> <tr> <td>Valve internal parts:</td> <td>Nickel plated brass/Stainless steel - Seals: NBR</td> </tr> <tr> <td>Protection cover:</td> <td>Shock-resistant acetal resin</td> </tr> </table> | Housing: | Black zinc plated steel | Valve body: | Profiled anodised aluminium | Valve internal parts: | Nickel plated brass/Stainless steel - Seals: NBR | Protection cover: | Shock-resistant acetal resin |
| Housing:              | Black zinc plated steel  |          |                         |             |                             |                       |  |                   |                              |
| Valve body:           | Profiled anodised aluminium  |          |                         |             |                             |                       |  |                   |                              |
| Valve internal parts: | Nickel plated brass/Stainless steel - Seals: NBR   |          |                         |             |                             |                       |  |                   |                              |
| Protection cover:     | Shock-resistant acetal resin   |          |                         |             |                             |                       |  |                   |                              |