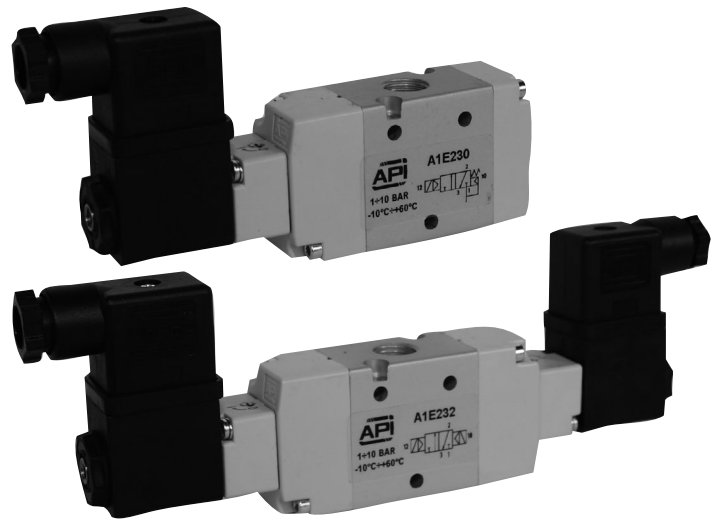


Standard executions			
Version	Symbol	Code	Item
3/2 NC		034025	A1E230
3/2 NO		034040	A1E231
3/2 solenoid/solenoid		034024	A1E232
3/2 NC external air pilot		034039	A1K230
3/2 solenoid/solenoid external air pilot		034023	A1K232



Series of spool valves, with static seals, high flow, for panel or sub-base mounting.

Coils and connectors are to be ordered separately.

For the coils type ASA12...

see page 2.200.1

For the connectors type A122...

see page 2.210.20

For the sub-bases type A1B2...

see page 2.85.1



II 2Gc IIC T5
II 2Dc T100°C

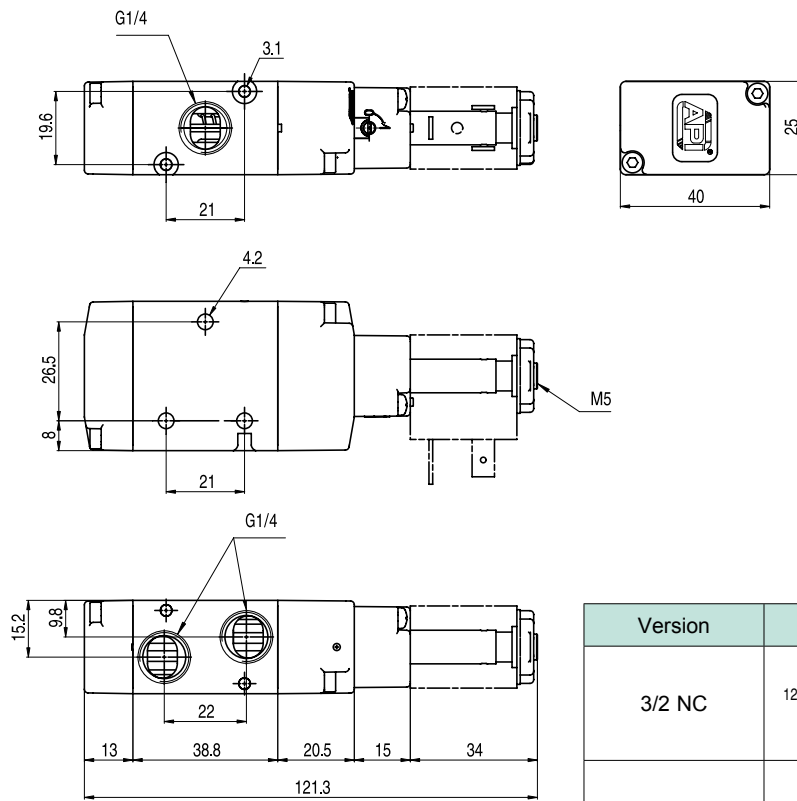
On request, they can be supplied according to 94/9/EC - ATEX

Code key

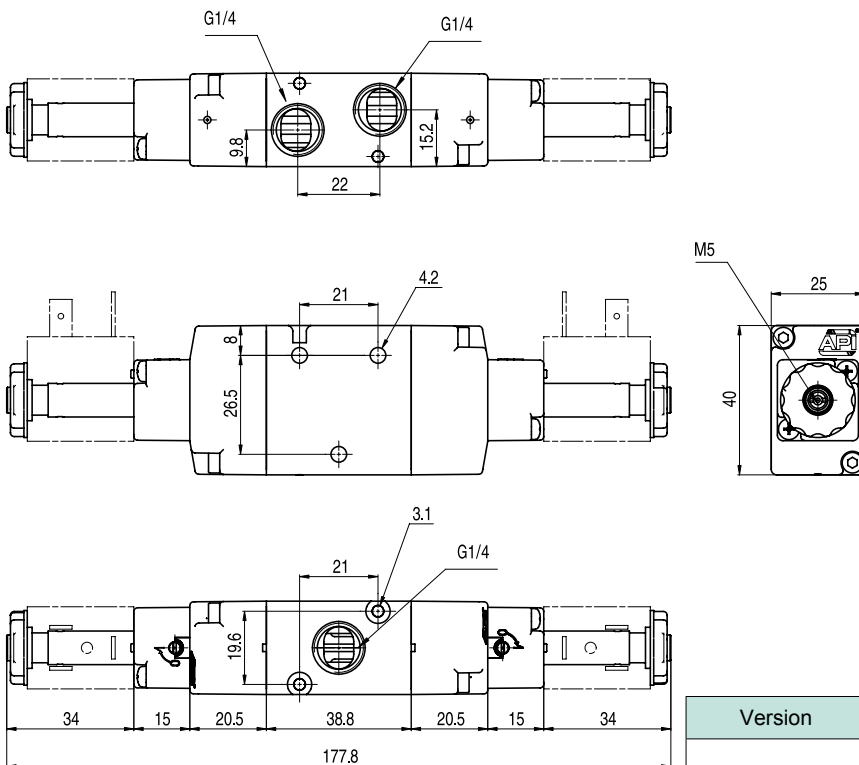
Series	Actuation	Size	Function
A1	E = electrical K = electrical con servopilota	1 = 1/8"	30 = 3/2 NC
		2 = 1/4	31 = 3/2 NO
			32 = 3/2 solenoid/solenoid
			50 = 5/2 solenoid/spring
			51 = 5/2 solenoid/solenoid
			70 = 5/3 CC
			71 = 5/3 CO
			72 = 5/3 CP

Technical data

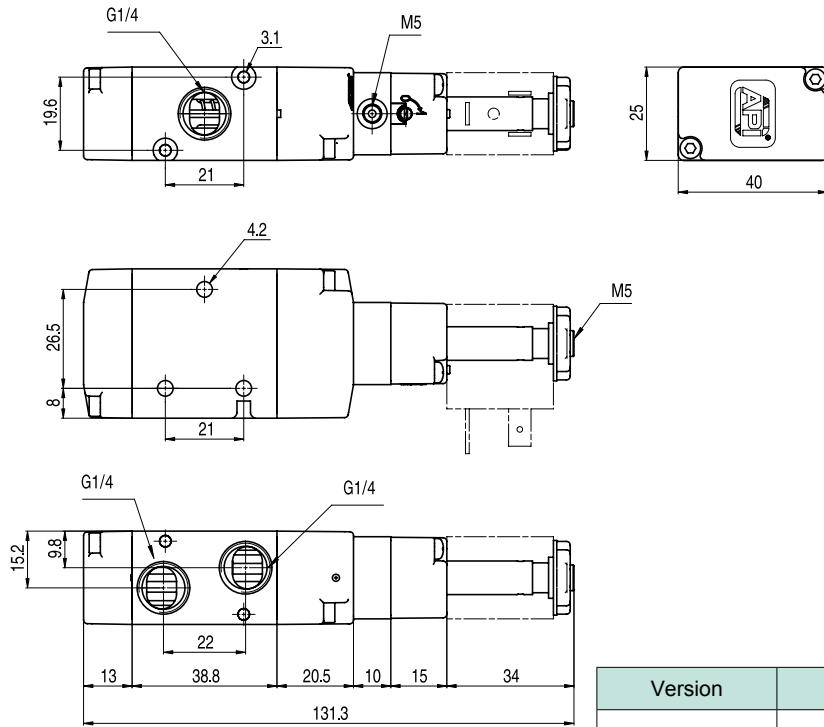
Fluid	Compressed filtered air with or without lubrication. Lubrication, if started, must be continued.		
Pressure range	Monostable: 1,5 ÷ 10 bar	Bistable: 1 ÷ 10 bar	
Temperature range	-10°C ÷ +60°C		
Orifice	8 mm		
Flow	1.100 NI/min at 6 bar with ΔP 1 bar		
Minimum external air pressure	1,5 bar		
Mounting	In any position		
Manual override	Bistable		
Response time (at 6 bar)	solenoid/spring		solenoid/solenoid
	Energising: 45 ms	De-energising: 19 ms	Energising: 21 ms De-energising: 21 ms
Materials	Body:	Anodised aluminium	
	Covers:	Delrin 500	
	Spool:	Hard aluminium anodized	
	Distancers:	Fortron 1140 L4	
	Seals:	Hydrogenated Nitrile Butadiene Rubber (HNBR)	



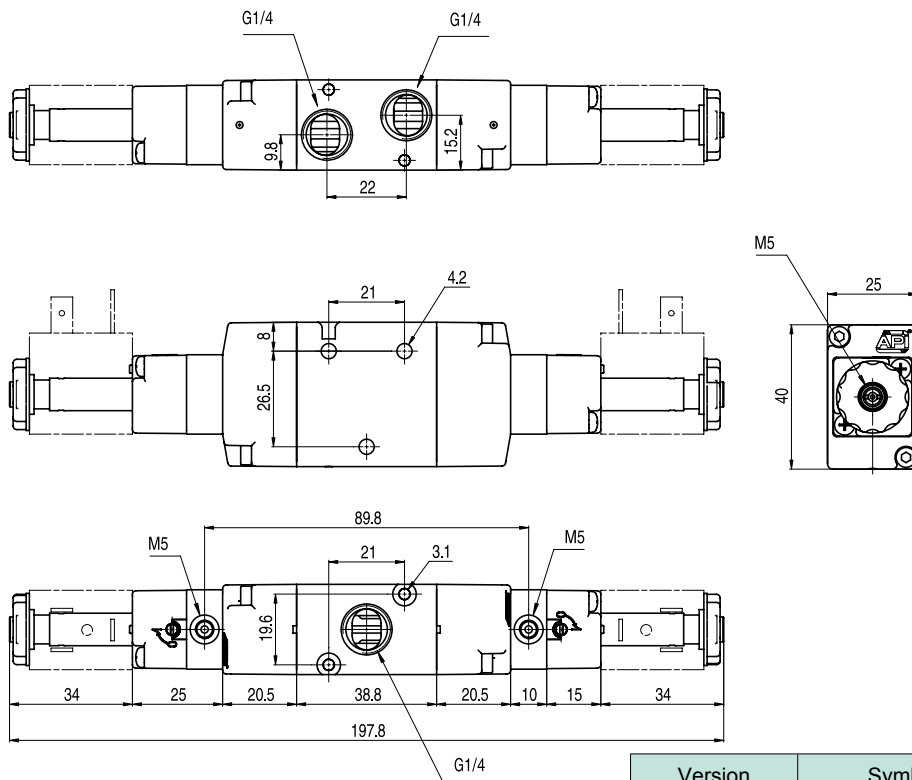
Version	Symbol	Code	Item
3/2 NC		034025	A1E230
3/2 NA		034040	A1E231



Version	Symbol	Code	Item
3/2 solenoid/solenoid		034024	A1E232



Version	Symbol	Code	Item
3/2 NC external air pilot		034039	A1K230



Version	Symbol	Code	Item
3/2 solenoid/solenoid external air pilot		034023	A1K232