

Standard executions			
Version	Symbol	Code	Item
Filter-regulator + lubricator		090604	A14FRRLX
Filter-regulator		090601	A14FRRX
Filter		090607	A14FX
Regulator		090610	A14RX
Lubricator		090613	A14LX

New
Stainless Steel



All the air preparation units are available to be certified according to 94/9/EC - ATEX

Options	Suffix
Filter 40 µm cartridge	40
NPT thread	NPT
Manual condense drain	H
Automatic condense drain	D
Seals for low temperature	BT

Series of modular units in stainless steel AISI 316 suitable for industrial application like: food, medical, chemical, Oil & Gas and mining.

Light weight and compact size for space saving, the air preparation units have the following standard features:

- For high pressure use, corrosion and hemical resistance;
- Good performance in chemical working environments and outdoor facility;
- Suitable for food, medical, chemical, off-shore and mining industry;
- Metallic parts meet NACE Standard MR-01-75(*);
- The product effectively removes water and particle;
- Accurate and sensitive pressure setting;
- Lubricator oil can be replenished without stopping air supply.

The modular units are supplied together with the bracket nuts and gauge always in stainless steel material.

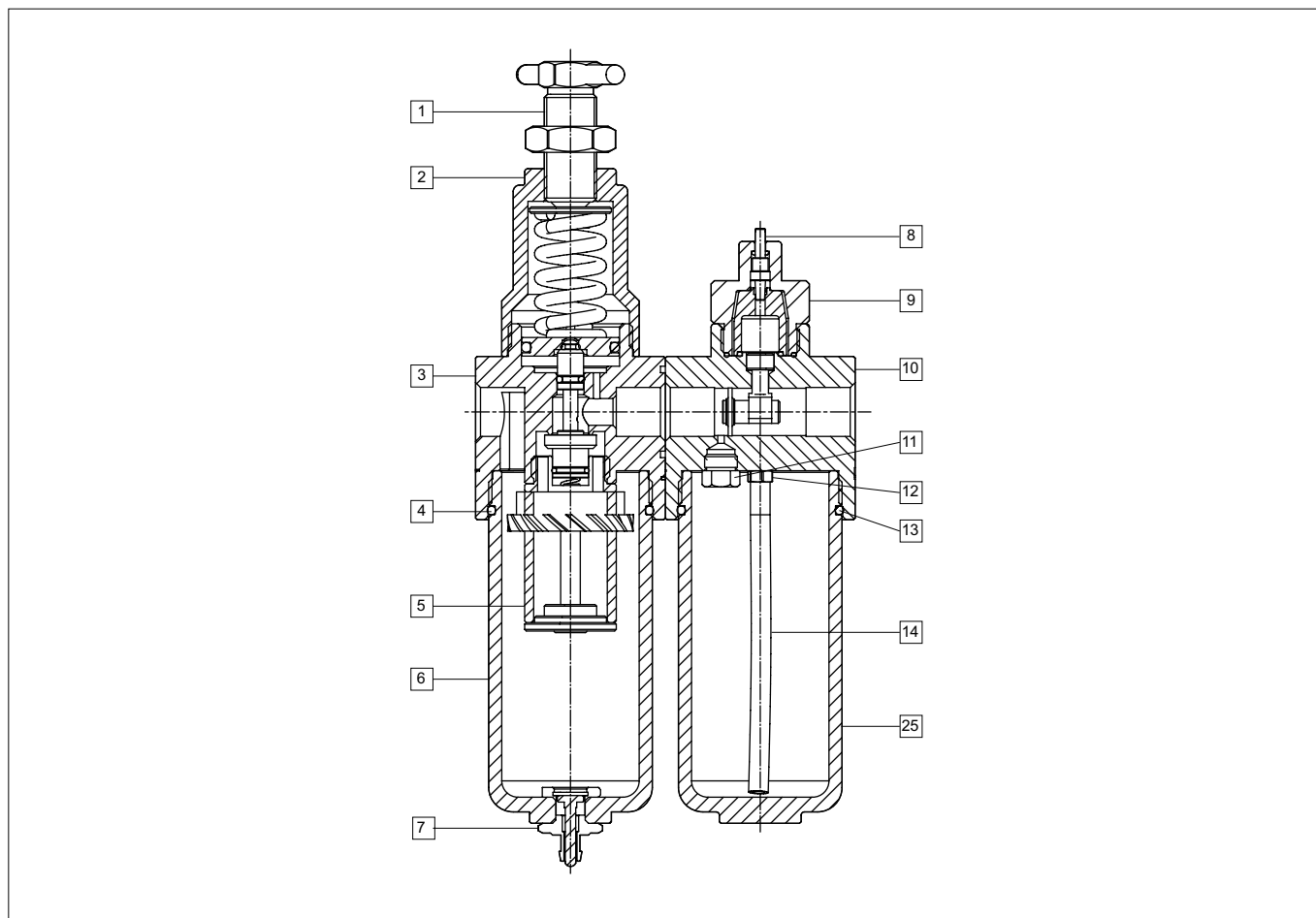
(* NACE: National Association of Corrosion Engineers recognised oil-field recommendation for resistance to sulphide stress cracking common in well-head and other corrosive environments.

How to order: A14FRRX40NPT

A14FRRX	40	NPT
Version	Option	Option

Technical data					
Item	A14FRRLX	A14FRRX	A14FX	A14RX	A14LX
Pressure	30 bar				
Regulation range	0,5 ÷ 20 bar				
Overpressure exhaust	Reliving M5	Reliving M5	-	Reliving M5	-
Pressure regulator	Piston	Piston	-	Piston	-
Max. flow rate (l/min)	1850 l/min	1850 l/min	1900 l/min	1850 l/min	2500 l/min
Temperature range	-20 ÷ +150 °C (standard) -40 ÷ +150°C (BT)				
Suggested oil	With ISO VG 32 viscosity according to normative ISO 3448				
Filtering element	5 µm (standard) 40 µm (on request)	-	5 µm (standard) 40 µm (on request)	-	-
Condense drain	Semi-automatic (standard) - manual/automatic (on request)			-	-
Cup capacity	Filter: 105 cm ³ Lubricator: 125 cm ³	105 cm ³	105 cm ³	-	125 cm ³
Weight	2660 g	1380 g	1260 g	1200 g	1200 g

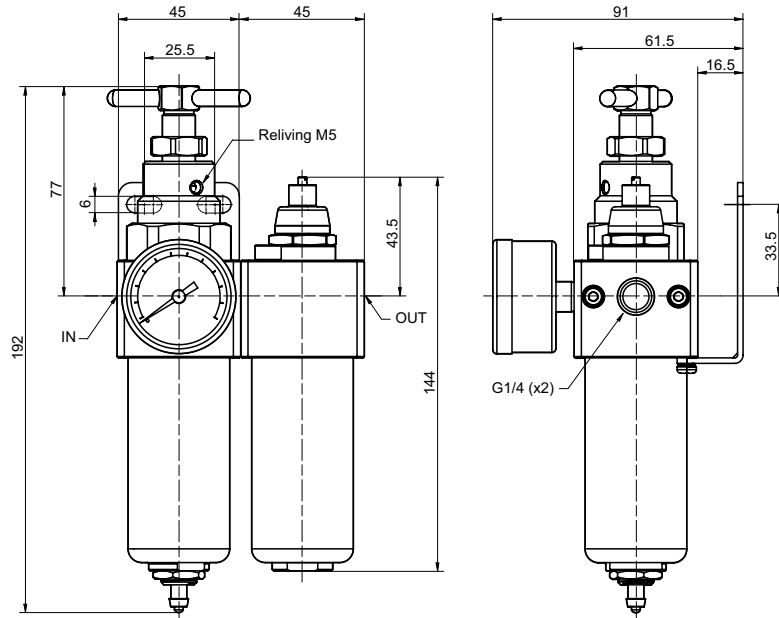
Materials



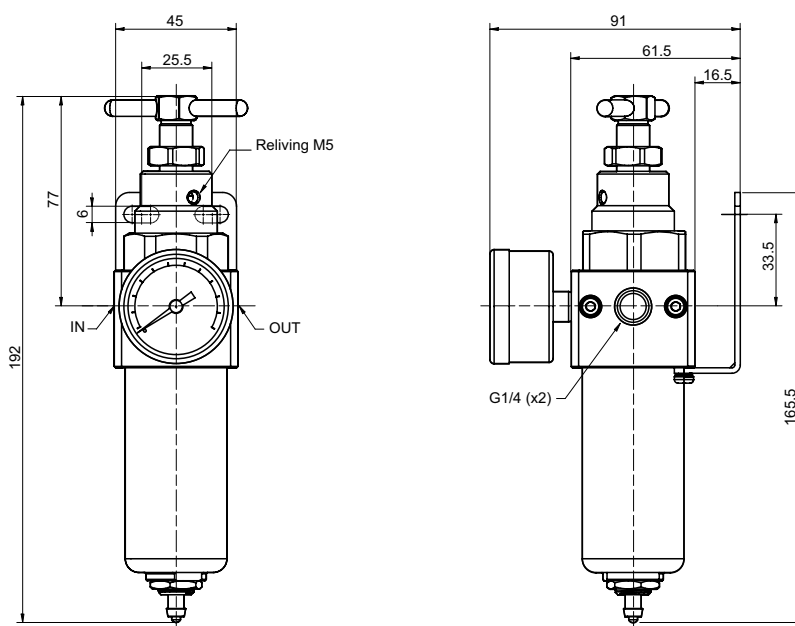
Materials

1	Pressure regulator screw	Stainless steel AISI 316	9	Lubricator cover	Stainless steel AISI 316
2	Pressure regulator cup	Stainless steel AISI 316	10	Lubricator body	Stainless steel AISI 316
3	Regulator body	Stainless steel AISI 316	11	Cover	Stainless steel AISI 316
4	O-ring seal	FKM (standard) - EPDM (BT)	12	Fitting	Stainless steel AISI 316
5	Filtering element	Stainless steel AISI 316	13	O-ring seal	FKM (standard) - EPDM (BT)
6	Filter cup	Stainless steel AISI 316	14	Pipe	PU
7	Drain unit	Stainless steel AISI 316	15	Lubricator cup	Stainless steel AISI 316
8	Oil regulation screw	Stainless steel AISI 316			

Dimensions

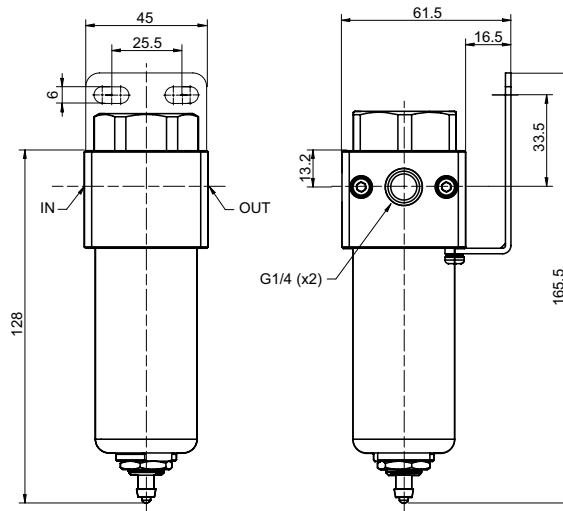


Version	Symbol	Code	Item
Filter-regulator + lubricator		090604	A14FRRLX

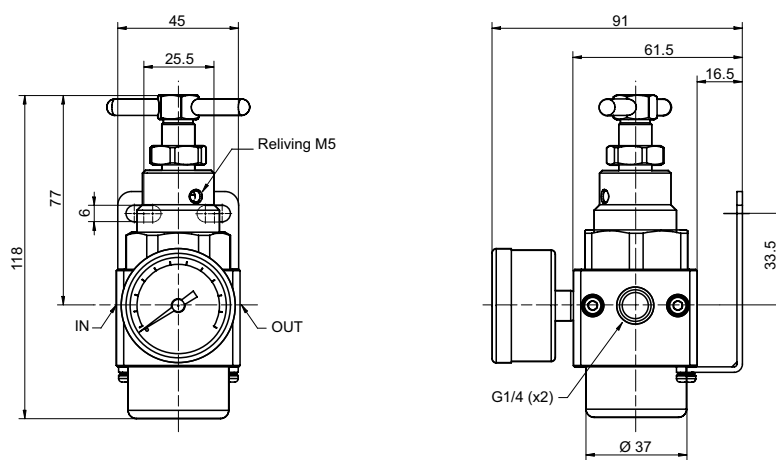


Version	Symbol	Code	Item
Filter-regulator		090601	A14FRRX

Dimensions

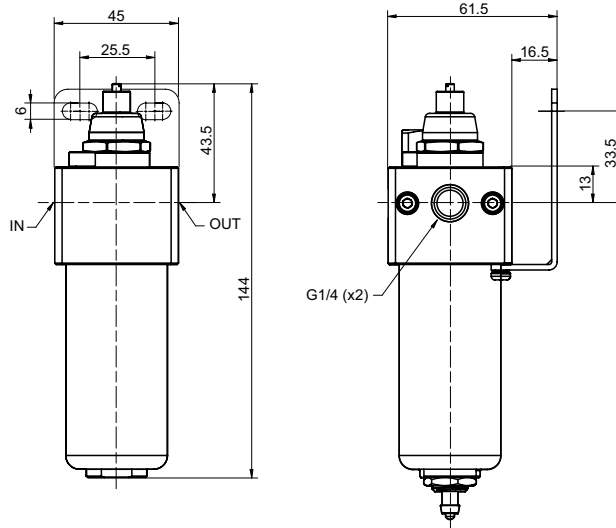


Version	Symbol	Code	Item
Filter		090607	A14FX



Version	Symbol	Code	Item
Regulator		090610	A14RX

Dimensions



Version	Symbol	Code	Item
Lubricator		090613	A14LX