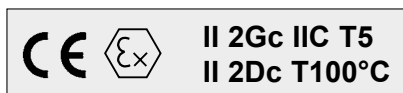


Standard executions			
Version	Symbol	Code	Item
3/2 NC		034027	A1P230
3/2 NO		034054	A1P231
3/2 pilot/pilot		034026	A1P232
3/2 pilot/pilot differential		034055	A1P233



Series of spool valves, with static seals, high flow, for panel or sub-base mounting.  
For the sub-bases type A1B2... see page 2.85.1

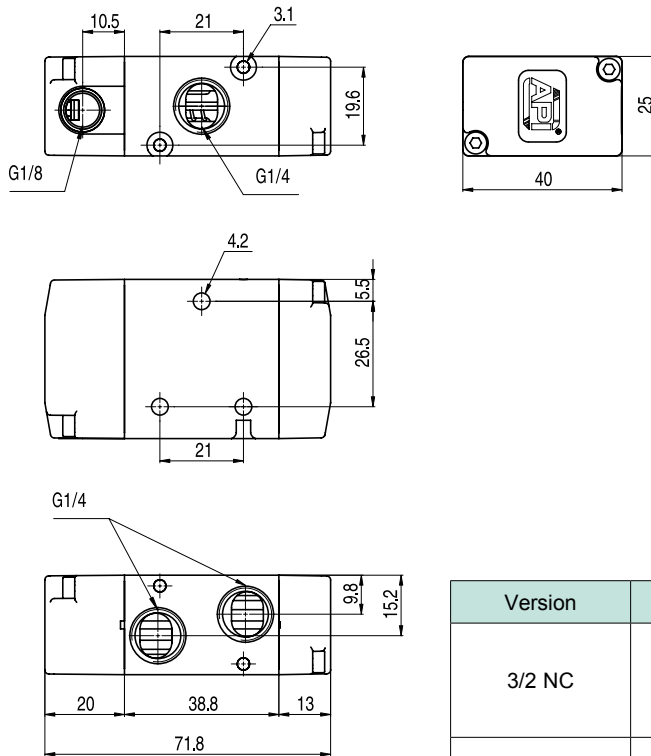


On request, they can be supplied according to 94/9/EC - **ATEX**

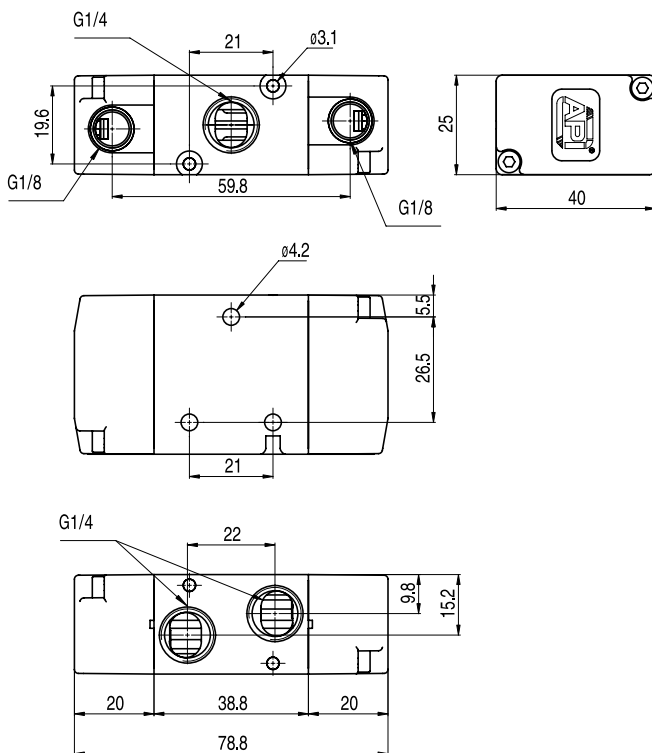
### Code key

Series	Actuation	Size	Function
A1	P = pneumatic	1 = 1/8" 2 = 1/4"	30 = 3/2 NC 31 = 3/2 NO 32 = 3/2 pilot/pilot 33 = 3/2 pilot/pilot differential 50 = 5/2 pilot/spring 51 = 5/2 pilot/pilot 52 = 5/2 pilot/pilot differential 70 = 5/3 CC 71 = 5/3 CO 72 = 5/3 CP

Technical data	
Fluid	Compressed filtered air with or without lubrication. Lubrication, if started, must be continued.
Pressure range	Monostable: 1,5 ÷ 10 bar      Bistable: 1 ÷ 10 bar
Temperature range	-10°C ÷ +60°C
Orifice	8 mm
Flow	1.100 NI/min at 6 bar with ΔP 1 bar
Minimum piloting pressure	1,5 bar
Manual override	Bistable
Materials	Body: Anodised aluminium Covers: Delrin 500 Spool: Hard aluminium anodized Distancers: Fortron 1140 L4 Seals: Hydrogenated Nitrile Butadiene Rubber (HNBR)



Version	Symbol	Code	Item
3/2 NC		034027	A1P230
3/2 NA		034054	A1P231



Version	Symbol	Code	Item
3/2 pilot/pilot		034026	A1P232
3/2 pilot/pilot differential		034055	A1P233