

**New**



New series of "AX" valves with functions 3/2 - 5/2 - 5/3 connection in line on the body or NAMUR. Electric and electric servo pilot.

They are manufactured in AISI 316L stainless steel, especially suitable in the food, chemical, pharmaceutical, Oil & Gas and mining industry.

AX valves are manufactured according to 2014/34/EU Directive to be used in potentially explosive environment.

Solenoid operator with a special coil for pneumatic application in potentially explosive environment (group II). The protection is assured by a thermal fuse that, in case of damage, disconnects the coil from power.

Solenoid system is conforming to 2014/34/EU Directive, certified:

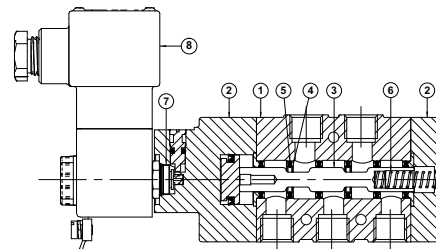


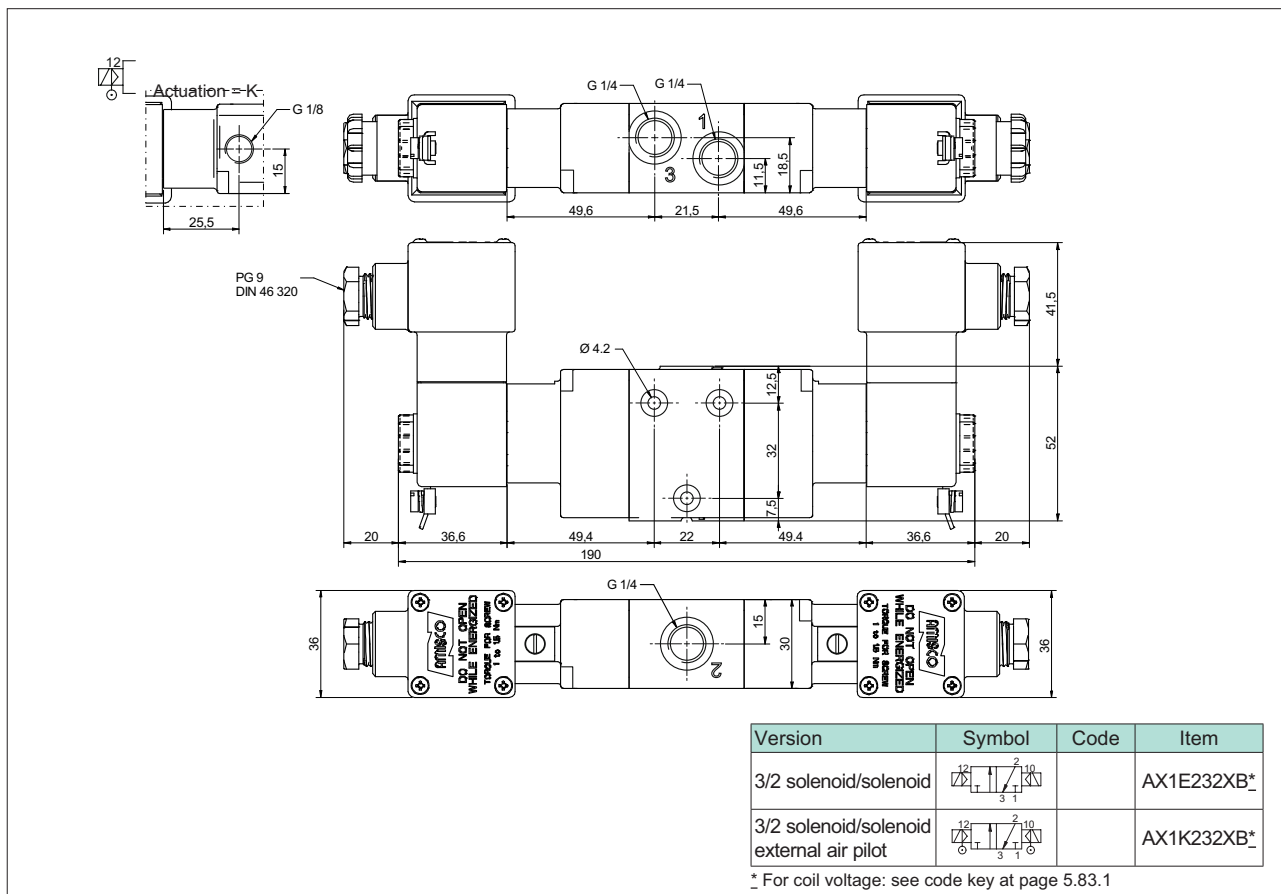
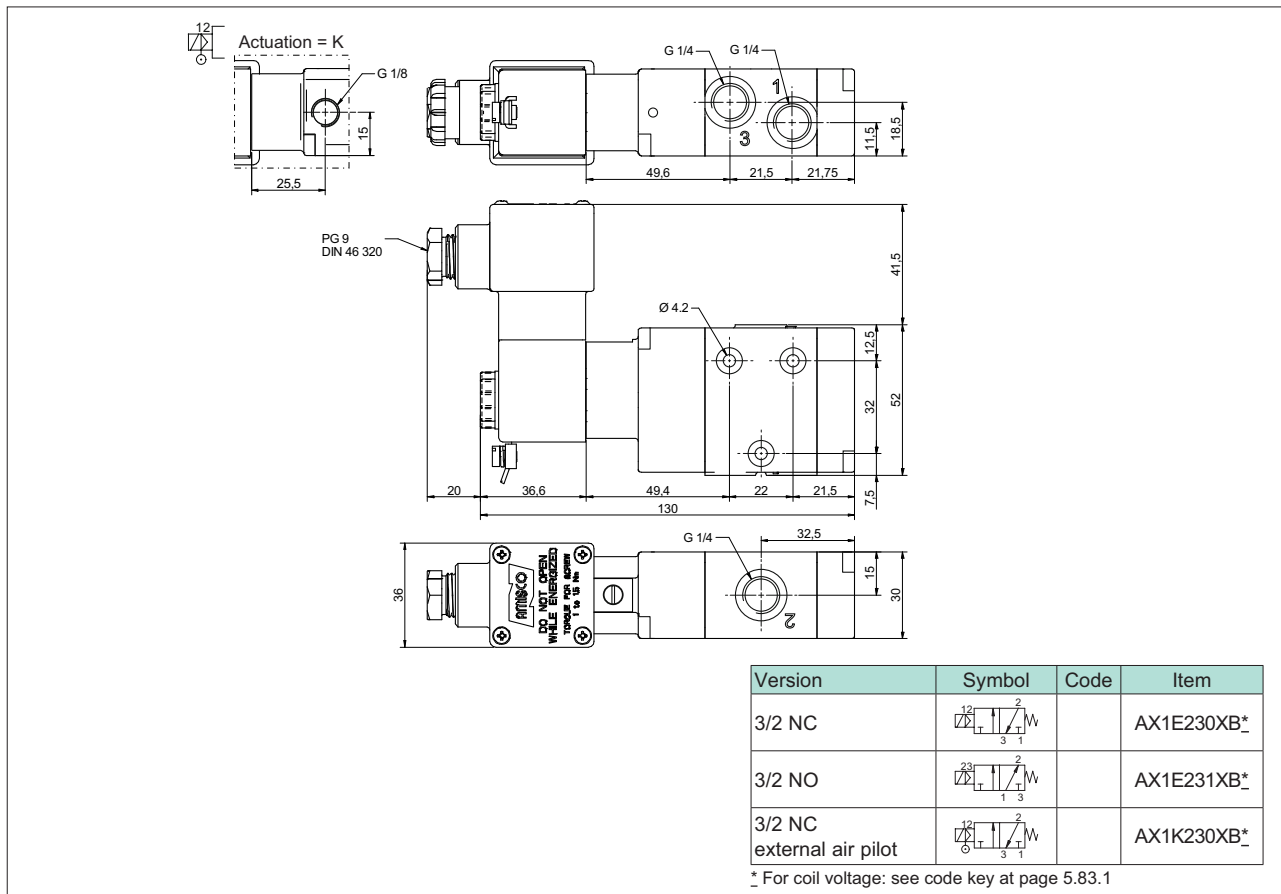
II 2G Ex db mb IIC T5 Gb  
II 2D Ex tb IIIC T95°C IP66 Db

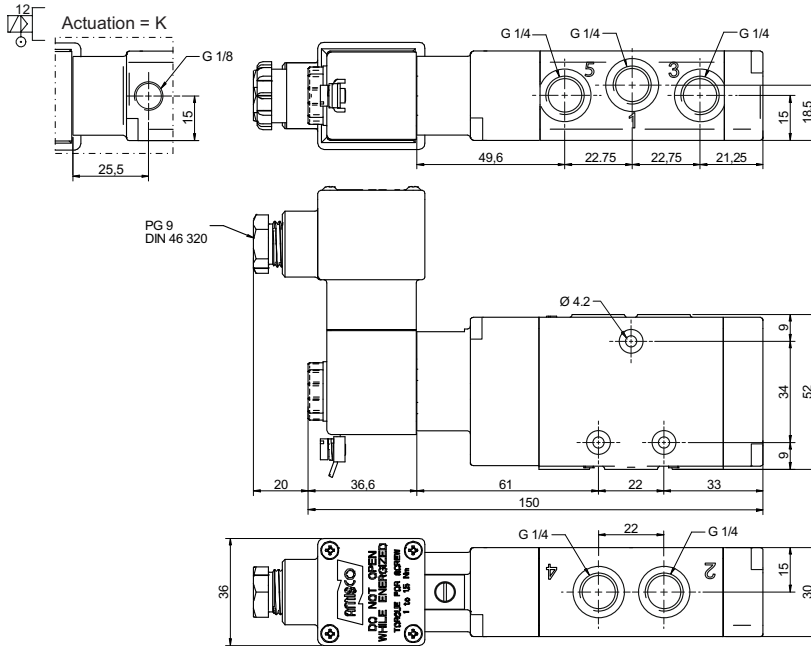
Standard executions		
Version	Symbol	Code
3/2 NC		For code key see the table below
3/2 NO		
3/2 solenoid/solenoid		
5/2 solenoid/spring		
5/2 solenoid/solenoid		
5/2 solenoid/solenoid differential		
5/3 closed centres		
5/3 open centres		
5/3 pressurised centres		
Note	Code	Item
Distancer for NAMUR body (see page 2.88.10)	034203	PSN 3/2
	034166	PSN 5/2

Code key					
Series	Actuation	Size	Function	Hazardous areas	Voltages
AX1 = Standard AXX1 = Completely in stainless steel AX1N = NAMUR AXX1N = NAMUR Completely in stainless steel	E = electrical Ø9 K = electrical Ø9 external air pilot	2 = 1/4 Gas 2N = 1/4 NPT	30 = 3/2 NC 31 = 3/2 NO 32 = 3/2 solenoid/solenoid 50 = 5/2 solenoid/spring 51 = 5/2 solenoid/solenoid 52 = 5/2 solenoid/solenoid differential 70 = 5/3 CC 71 = 5/3 OC 72 = 5/3 PC	XB = II 2G Ex db mb IIC T5 Gb II 2D Ex tb IIIC T95°C IP66 Db	A = 6 VDC B = 12 VDC C = 24 VDC * D = 48 VDC E = 12 VAC F = 24 VAC G = 48 VAC H = 100 VAC I = 110 VAC L = 115 VAC M = 120 VAC O = 220 VAC P = 230 VAC Q = 240 VAC * = Standard voltages

Technical data															
Fluid		Compressed filtered air with or without lubrication. Lubrication, if started, must be continued.													
Threaded connection		1/4 Gas - 1/4 NPT													
Pressure range		Spring return: 1.5 ÷ 10 bar				Bistable: 1 ÷ 10 bar				3 position: 2.5 ÷ 10 bar					
Minimum external air pressure		1.5 bar													
Temperature range		-25°C + +50°C													
Ø Orifice		8 mm													
Flow		1.100 Nl/min at 6 bar with ΔP 1 bar													
Mounting		In any position (vertical assembly is not recommended for bistable valves subjected to vibration)													
Manual override		Bistable													
Electrical characteristic	Nominal voltage	6VDC	12VDC	24VDC	48VDC	12VAC	24VAC	48VAC	100VAC	110VAC	115VAC	120VAC	220VAC	230VAC	240VAC
	Frequency	-	-	-	-	50/60 Hz	50/60 Hz	50/60 Hz	50/60 Hz	50/60 Hz	50/60 Hz	50/60 Hz	50/60 Hz	50/60 Hz	50/60 Hz
	Nominal current	0.510 A	0.250 A	0.125 A	0.063 A	0.270 A	0.133 A	0.067 A	0.032 A	0.029 A	0.028 A	0.027 A	0.014 A	0.014 A	0.013 A
	Nominal power	3W	3W	3W	3W	3.2VA	3.2VA	3.2VA	3.2VA	3.2VA	3.2VA	3.2VA	3.2VA	3.2VA	3.2VA
	Duty cycle	100% ED													
Response time (at 6 bar)	Energising: - ms				Energising: - ms				Energising: - ms						
	De-energising: - ms				De-energising: - ms				De-energising: - ms						
Materials	(1) Body:	Stainless steel AISI 316L													
	(2) Cover:	Stainless steel AISI 316L													
	(3) Spool:	Hard aluminium anodized (AX series) Stainless steel AISI 316 (AXX series)													
	(4) Distancers:	Fortron 1140L4 (AX series) Stainless steel AISI 316 (AXX series)													
	(5) Seals:	Hydrogenate Nitrile Butadine Rubber (HNBR)													
	(6) Spring:	Stainless steel													
	(7) Operator:	Stainless steel													
	(8) Coil:	Thermoset resin													

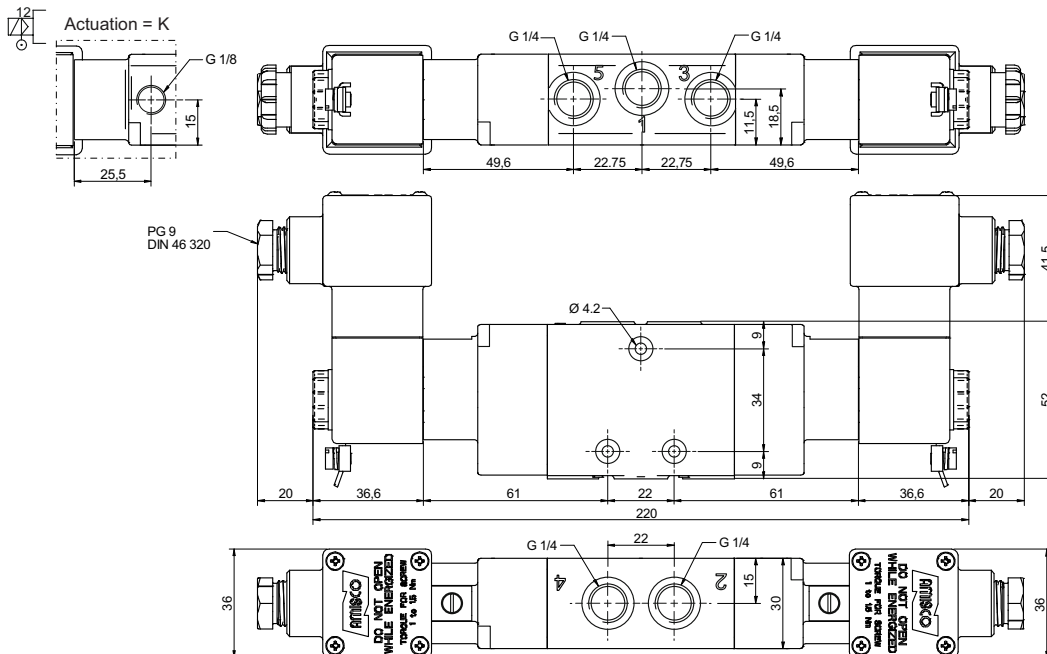






Version	Symbol	Code	Item
5/2 solenoid/spring			AX1E250XB*

\* For coil voltage: see code key at page 5.83.1



Version	Symbol	Code	Item
5/2 solenoid/solenoid			AX1E251XB*
5/2 solenoid/solenoid differential			AX1E252XB*

\* For coil voltage: see code key at page 5.83.1

