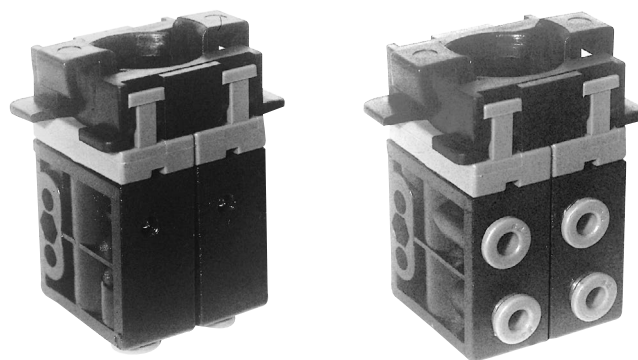
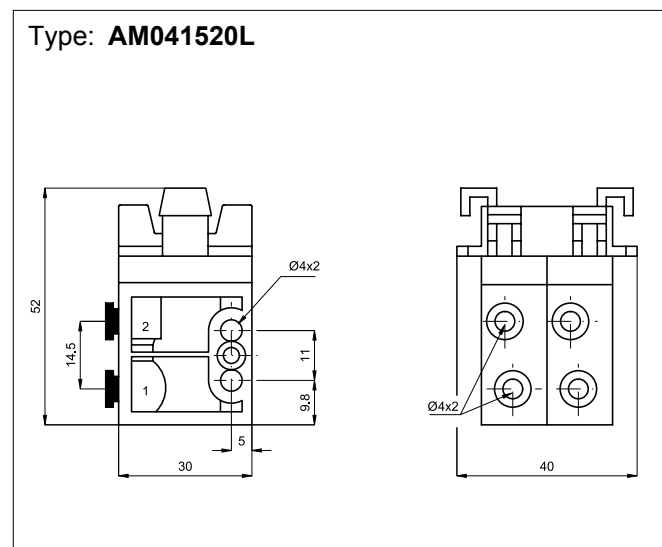
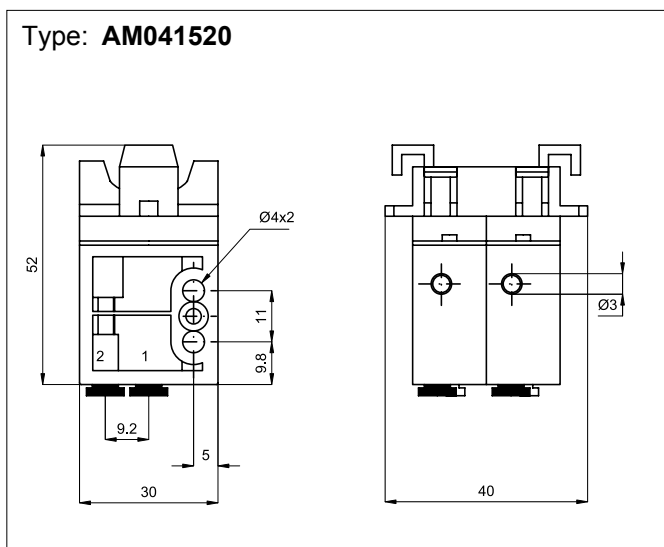


Standard executions			
Version	Symbol	Code	Item
5/2, 1 position		030261	AM041520
5/2, 1 position with side connections		030262	AM041520L



Series of poppet microvalves arranged for operating manually. Connections with integral 4 mm push-in fittings. According to the application you can choose between the version with bottom connections or with side ones.

For the choice of the operating device see page 2.265.1.



Technical data	
Fluid	Compressed filtered air with or without lubrication. Lubrication, if started, must be continued.
Pressure range	0 ÷ 8 bar
Temperature range	-20 °C ÷ + 80 °C
Operating force	10 N
Flow	80 NI/min.
Connections	With integral 4 mm push-in fittings
Fixing	Through 2 holes (Ø 4 mm) on the body Through 1 hole (Ø 22 mm) on panel (with operating device mounted)
Mounting	In any position
Materials	Body: Acetal resin Seals: Nitrile rubber (NBR)