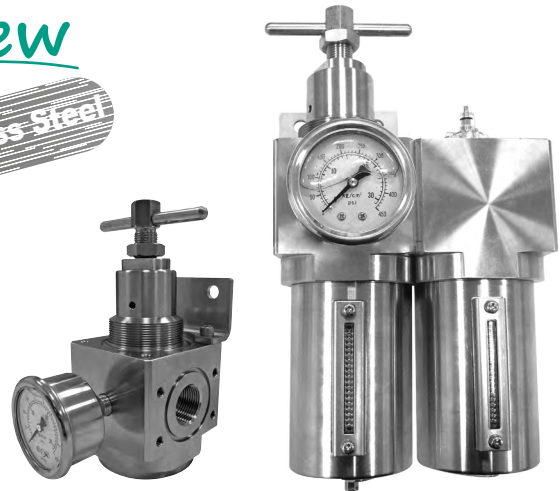


Standard executions			
Version	Symbol	Code	Item
Filter-regulator + Lubricator		090606	A01FRRLX
Filter-regulator		090603	A01FRRX
Filter		090609	A01FX
Regulator		090612	A01RX
Lubricator		090615	A01LX

New
Stainless Steel



All the air preparation units are available to be certified according to 94/9/EC - ATEX

Options	Suffix
High pressure (20 ÷ 30 bar)	HP
Filter 40 µm cartridge	40
NPT thread	NPT
Manual condense drain	H
Automatic condense drain	D
Seals for low temperature -40 ÷ +150°C	BT

Series of modular units in stainless steel AISI 316 suitable for industrial application like: food, medical, chemical, Oil & Gas and mining.

Light weight and compact size for space saving, the air preparation units have the following standard features :

- For high pressure use, corrosion and hemical resistance;
- Good performance in chemical working environments and outdoor facility;
- Suitable for food, medical, chemical, off-shore and mining industry;
- Metallic parts meet NACE Standard MR-01-75(*);
- The product effectively removes water and particle;
- Accurate and sensitive pressure setting;
- Lubricator oil can be replenished without stopping air supply.

The modular units are supplied together with the bracket nuts and gauge always in stainless steel material.

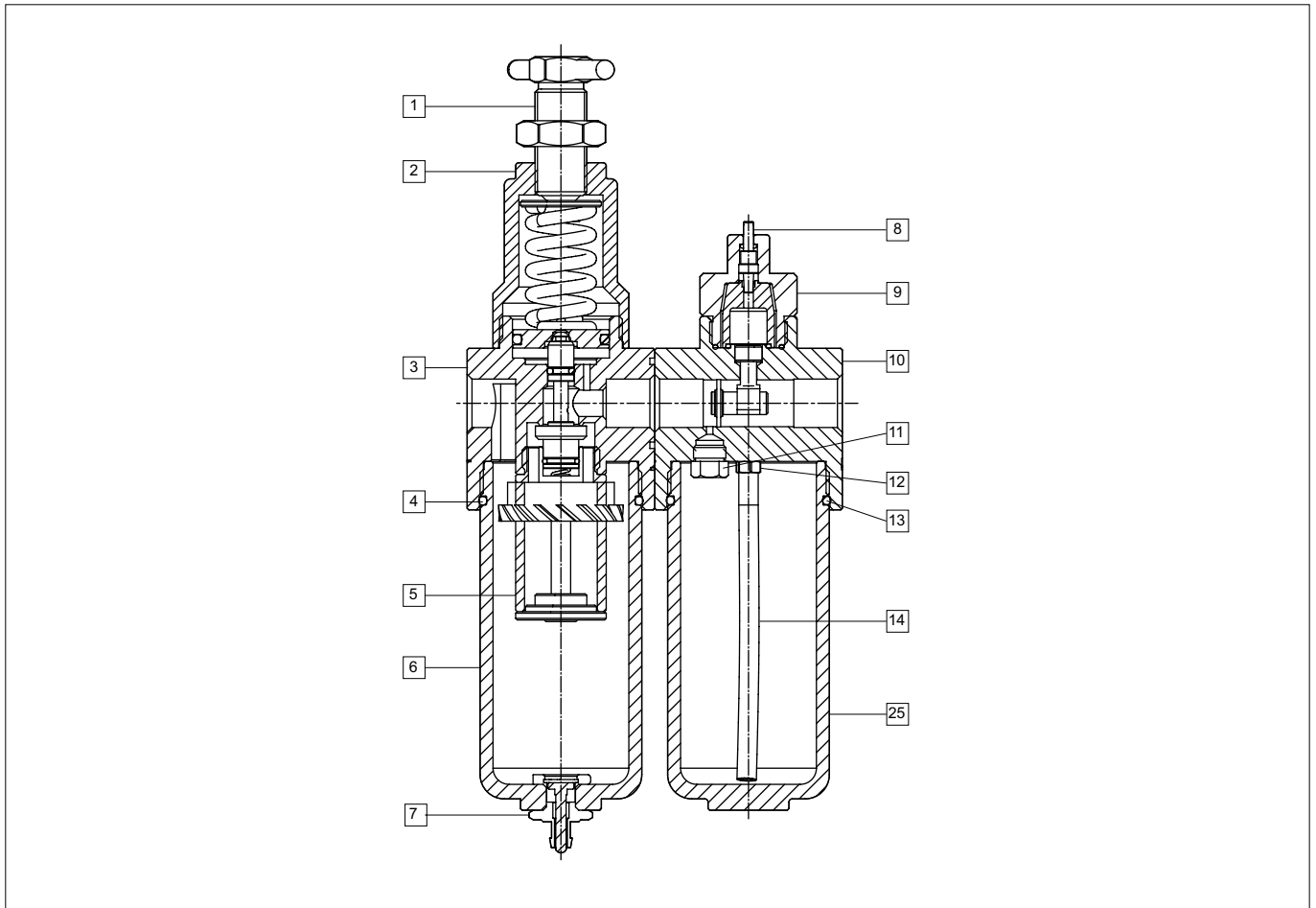
(*) NACE: National Association of Corrosion Engineers recognised oil-field recommendation for resistance to sulphide stress cracking common in well-head and other corrosive environments.

How to order: A01FRRX40NPT

A01FRRX	40	NPT
Version	Option	Option

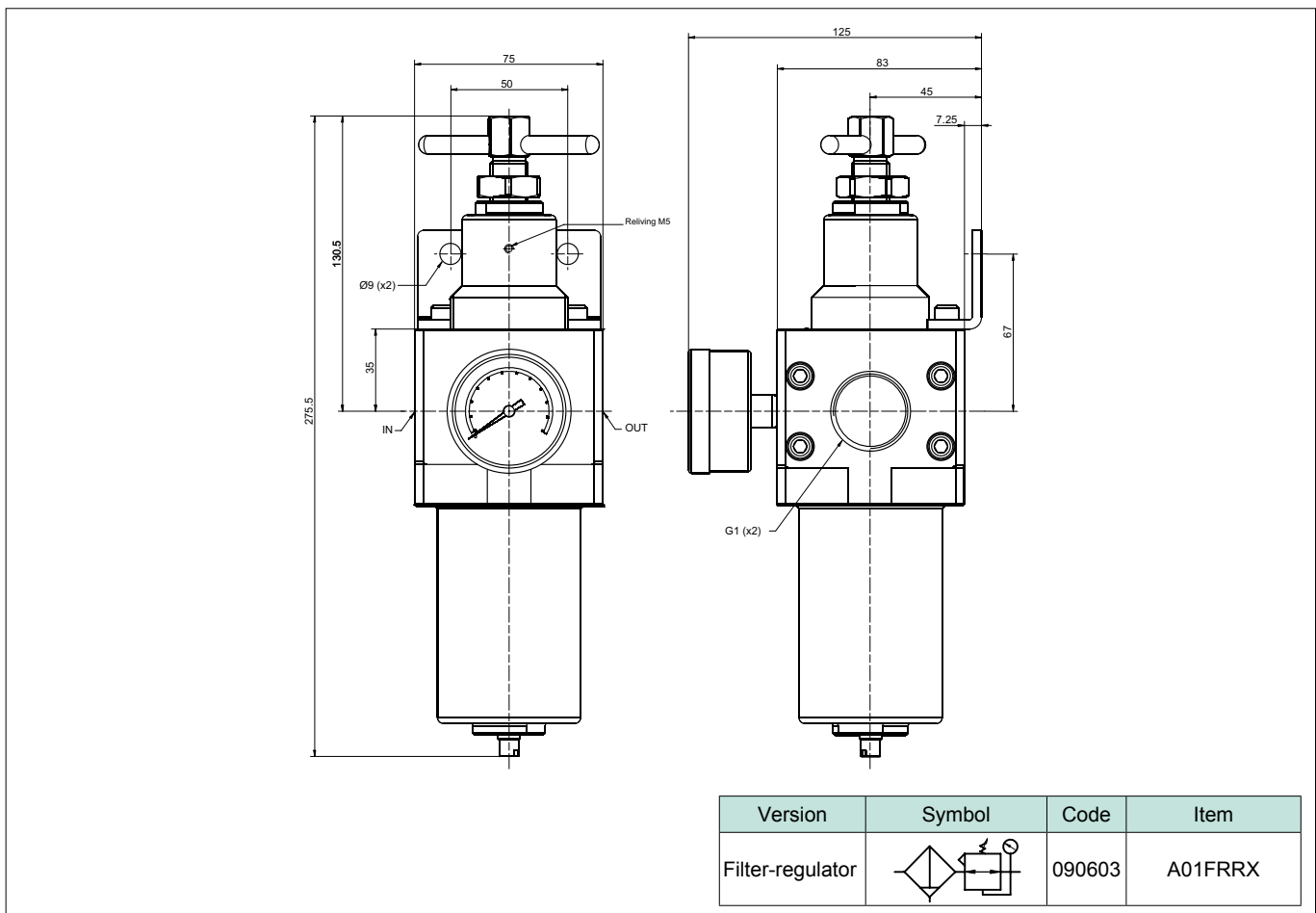
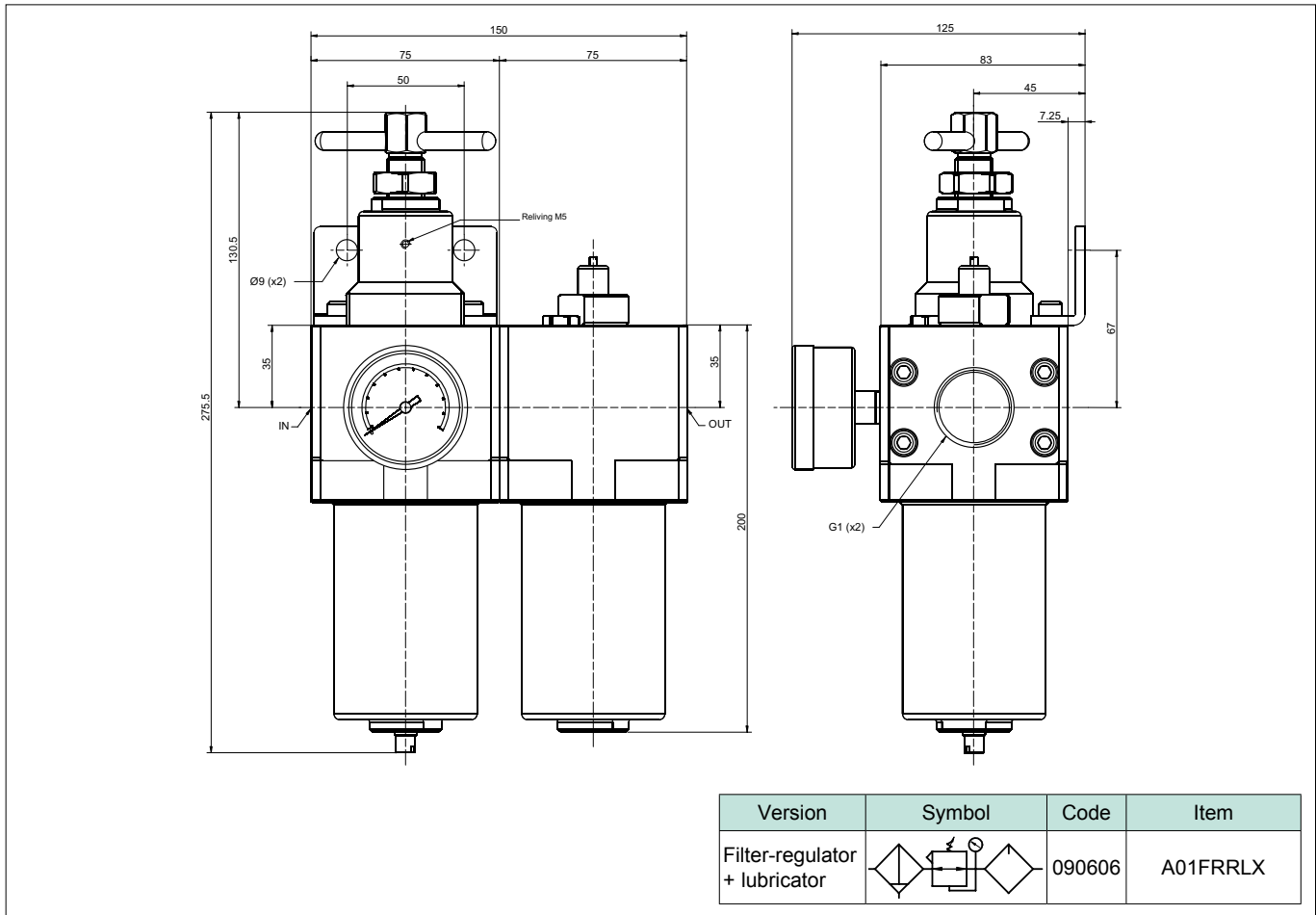
Technical data					
Item	A01FRRLX	A01FRRX	A01FX	A01RX	A01LX
Pressure	60 bar (with viewer on cup: 15bar)				
Regulation range	0,5 ÷ 12 bar (standard) - 20 ÷ 28 bar (standard)				
Overpressure exhaust	Reliving M5	Reliving M5	-	Reliving M5	-
Pressure regulator	Piston	Piston	-	Piston	-
Max. flow rate (l/min)	8000 l/min	8900 l/min	9600 l/min	9400 l/min	13200 l/min
Temperature range	-20 ÷ +150 °C (standard) -40 ÷ +150°C (BT)				
Suggested oil	With ISO VG 32 viscosity according to normative ISO 3448				
Filtering element	5 µm (standard) 40 µm (on request)	-	5 µm (standard) 40 µm (on request)	-	-
Condense drain	Semi-automatic (standard) - On request manual/automatic			-	-
Cup capacity	Filter: 200 cm ³ Lubricator: 220 cm ³	200 cm ³	200 cm ³	-	220 cm ³
Weight	7960 g	4580 g	3950 g	3400 g	3360 g

Materials

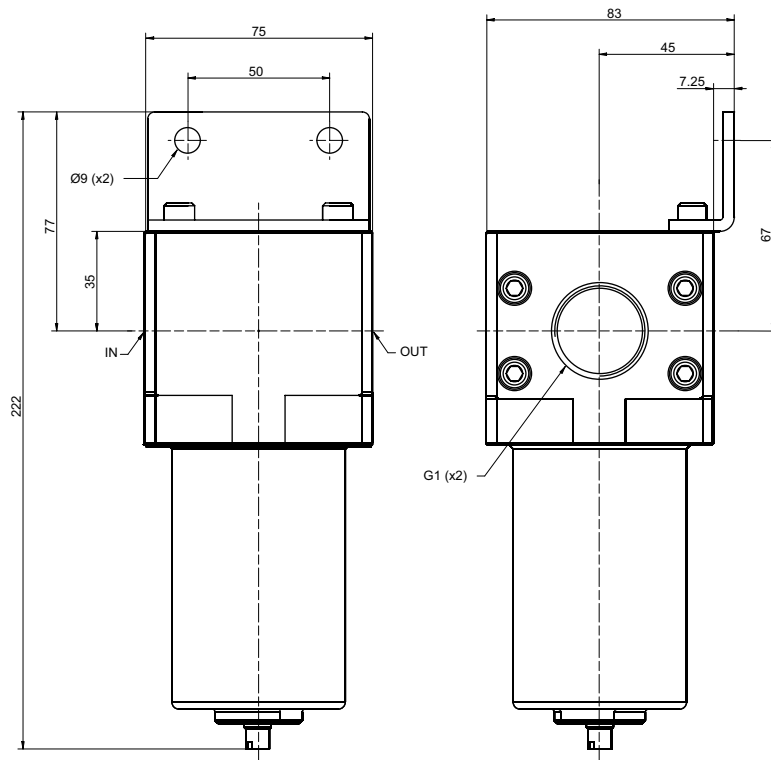


Materials			
1	Pressure regulator screw	Stainless steel AISI 316	
2	Pressure regulator cup	Stainless steel AISI 316	
3	Regulator body	Stainless steel AISI 316	
4	O-ring seal	FKM (standard) - EPDM (BT)	
5	Filtering element	Stainless steel AISI 316	
6	Filter cup	Stainless steel AISI 316	
7	Drain unit	Stainless steel AISI 316	
8	Oil regulation screw	Stainless steel AISI 316	
9	Lubricator cover	Stainless steel AISI 316	
10	Lubricator body	Stainless steel AISI 316	
11	Cover	Stainless steel AISI 316	
12	Fitting	Stainless steel AISI 316	
13	O-ring seal	FKM (standard) - EPDM (BT)	
14	Pipe	PU	
15	Lubricator cup	Stainless steel AISI 316	

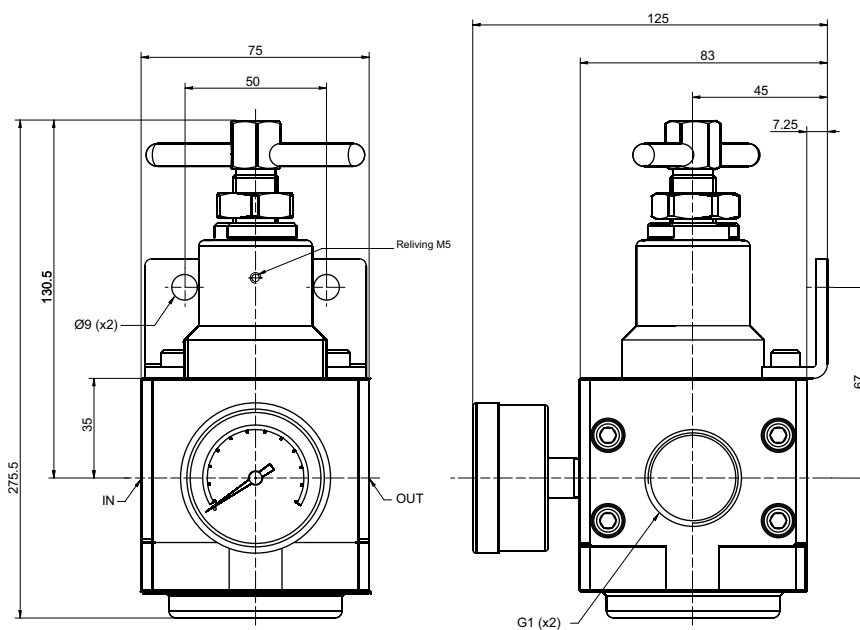
Dimensions



Dimensions

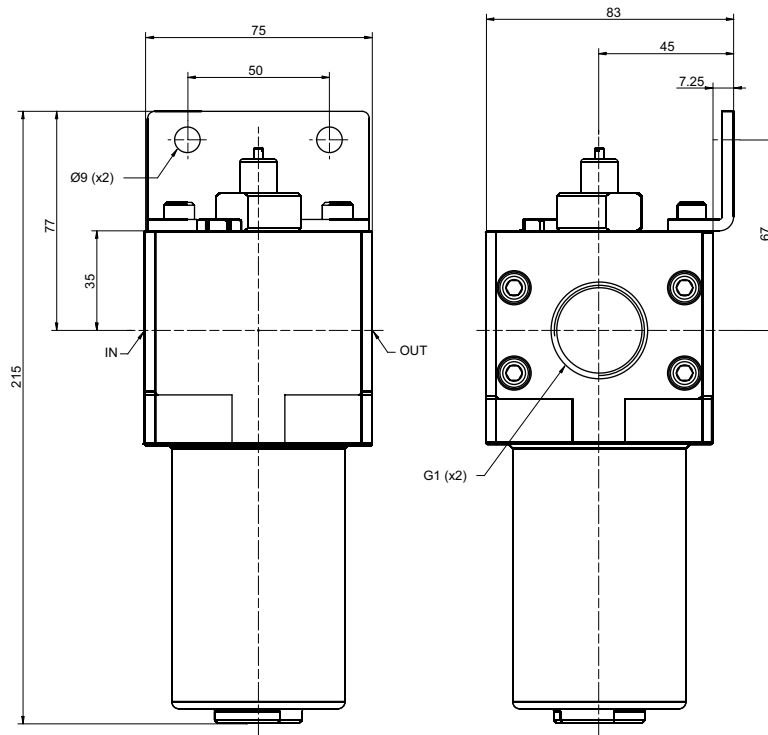


Version	Symbol	Code	Item
Filter		090609	A01FX



Version	Symbol	Code	Item
Regulator		090612	A01RX

Dimensions



Version	Symbol	Code	Item
Lubricator		090615	A01LX