

welding dispensing instrumentation packaging rubber process

HIGH PRESSURE

PRECISION ELECTRONIC CONTROL

QBS QB3H GX

medical aerospace pharmaceutical laser automotive semiconductor

1:1 closed-loop High Pressure CONTROL

QBS



ACCURACY | REPEATABILITY = $\pm 0.5\%$ F.S. | $\pm 0.05\%$ F.S.

Available in 6061 ALUMINUM & 303 STAINLESS STEEL MANIFOLD

Available in 2-loop configuration for higher flows and various media



QB3H



ACCURACY | REPEATABILITY = $\pm 0.5\%$ F.S. | $\pm 0.2\%$ F.S.

Available in nickel-plated ALUMINUM OR nickel-plated BRASS MANIFOLD

Designed for STATIC OR CONSTANT flow applications



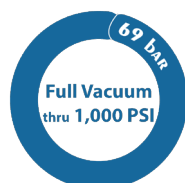
GX

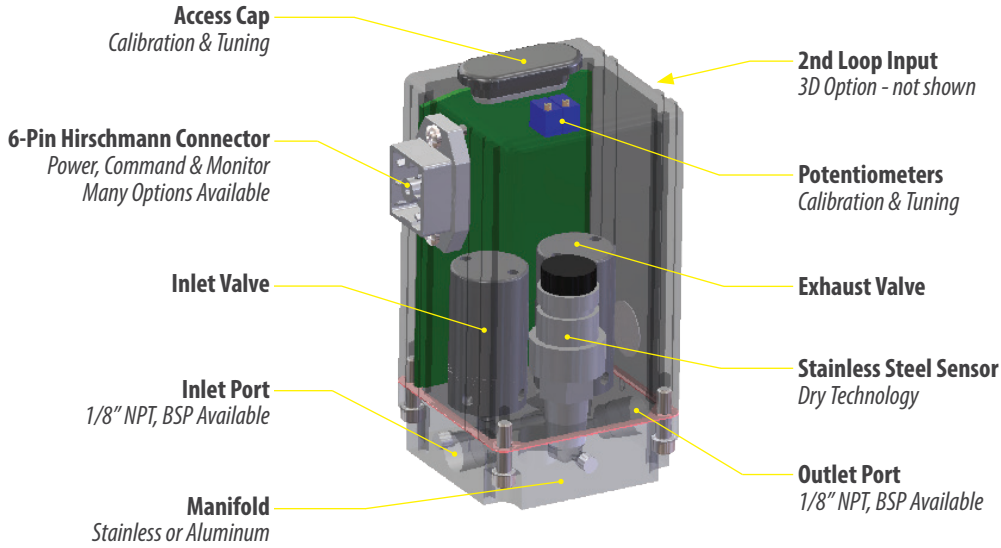


ACCURACY | REPEATABILITY = $\pm 0.25\%$ F.S. | $\pm 0.1\%$ F.S.

Available in 6061 ALUMINUM, BRASS OR STAINLESS STEEL MANIFOLD

Available in 2-loop configuration for higher flows and various media





Unaffected by Shock & Vibration
Tested up to 25 G Forces

Mount in Any Orientation
Does not Affect Operation

Non-Air Consuming
In a Steady State

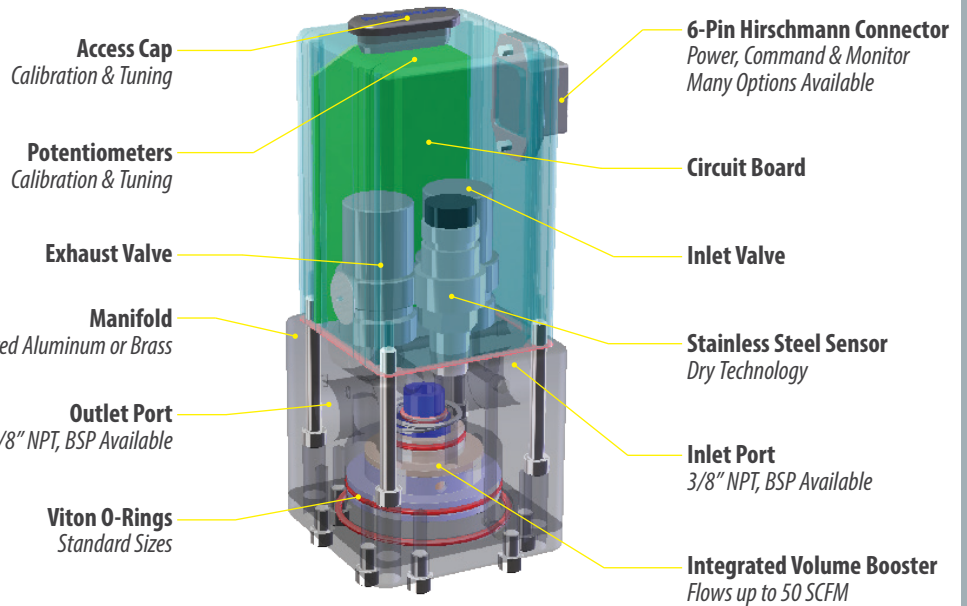
Unaffected by Fluctuating Supply Pressure

Non-Air Consuming
In a Steady State

Mount in Any Orientation
Does not Affect Operation

Unaffected by Fluctuating Supply Pressure

Unaffected by Shock & Vibration
Tested up to 25 G Forces

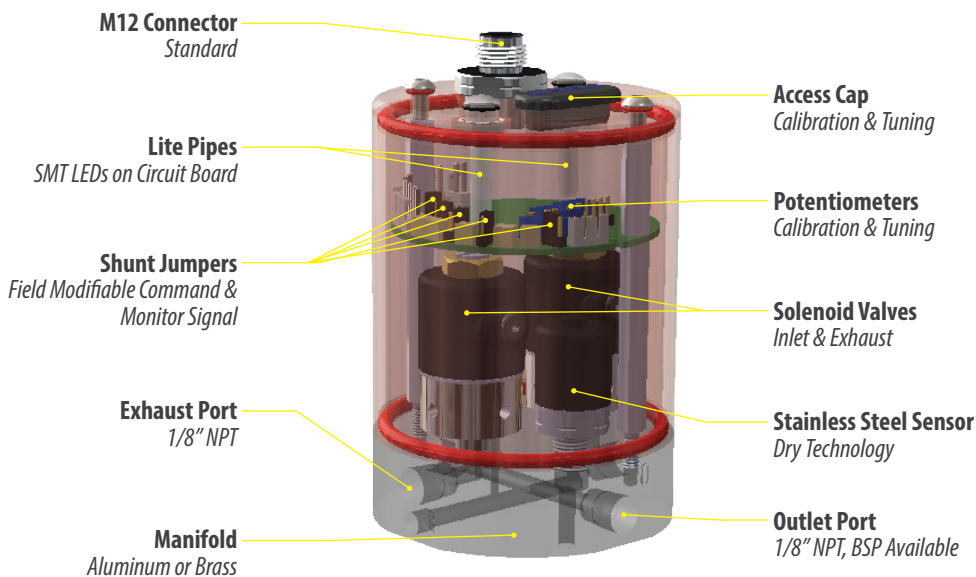


Mount in Any Orientation
Does not Affect Operation

Unaffected by Shock & Vibration
Tested up to 25 G Forces

Non-Air Consuming
In a Steady State

Unaffected by Fluctuating Supply Pressure



CONVERTING die CAST ENVIRONMENTAL food PROCESSING glass PLASTICS

TEXTILE SPRAYING INJECTION MOLDING PAPER RAILROAD ROBOTICS

Proportion-Air products are warranted to the original purchaser only against defects in material or workmanship for one (1) year from the date of manufacture.
 The extent of Proportion-Air's liability under this warranty is limited to repair or replacement of the defective unit at Proportion-Air's option.
 Proportion-Air shall have no liability under this warranty where improper installation or filtration occurred.

All specifications are subject to change without notice. THIS WARRANTY IS GIVEN IN LIEU OF, AND BUYER HEREBY EXPRESSLY WAIVES, WARRANTIES OR LIABILITIES, EXPRESS, IMPLIED OR STATUTORY, INCLUDING WITHOUT LIMITATION ANY OBLIGATION OF PROPORTION-AIR WITH REGARD TO CONSEQUENTIAL DAMAGES, WARRANTIES OF MERCHANTABILITY, DESCRIPTION, AND FITNESS FOR A PARTICULAR PURPOSE.

WARNING: Installation and use of this product should be under the supervision and control of properly qualified personnel in order to avoid the risk of injury or death.