

# RM-Series Volume Boosters

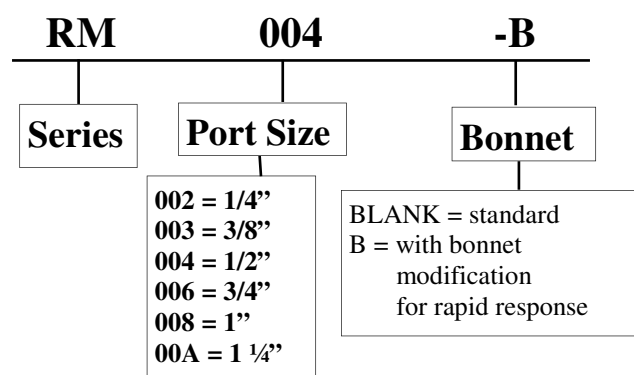


- ◆ Diaphragm type pilot operated regulator
- ◆ High relief flow
- ◆ Flows up to 550 SCFM
- ◆ Outlet pressure up to 300 psig
- ◆ Vacuum service
- ◆ Rapid response option available

## DESCRIPTION

RM-series volume boosters are diaphragm operated, air piloted, self-venting regulators. They are designed for general applications that require superior pressure regulation, rapid response to changing flow demands, and excellent stability. Using QB, BB, or MM series pressure controllers in conjunction with the RM-series volume booster gives a precision pressure control package with high forward and reverse flow capacity. If faster response is required, the RM-series can be modified with a special reduced volume bonnet for rapid response. The RM-series volume boosters can also be used in vacuum regulating applications where high flow and precise vacuum pressure control is required.

## ORDERING INFORMATION



## SPECIFICATIONS

TYPE.....Pilot Operated  
Relieving Diaphragm

MAX. INLET PRESSURE  
**RM002-RM00A**.....400psig (27.6 bar)

OUTLET PRESSURE  
**RM002-RM004** ..... 0-300psig (20.68 bar)  
**RM006-RM00A**..... 0-250psig (17.24 bar)

OPERATING TEMP..... 32 to 158 degree F  
(0 to 70 degree C)

RECOMMENDED FILTRATION 40 micron nominal

FLOW CAPACITY.....See graphs

RELIEF FLOW CAPACITY..... 200 SCFM (5663 SLPM)

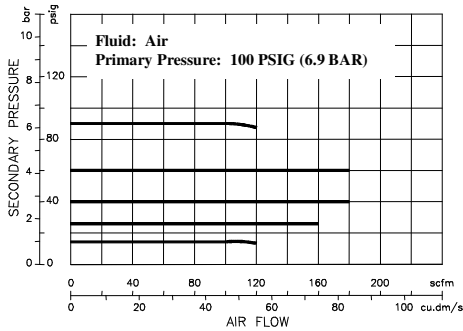
MATERIALS  
**RM002-RM00A:**  
Body: Zinc (ZAMAK 8 casting alloy)  
Bonnet: Zinc (Aluminum with rapid response option)  
Bottom Plug: Acetal  
Main Valve: Brass  
Elastomers: Nitrile

### MOUNTING BRACKET:

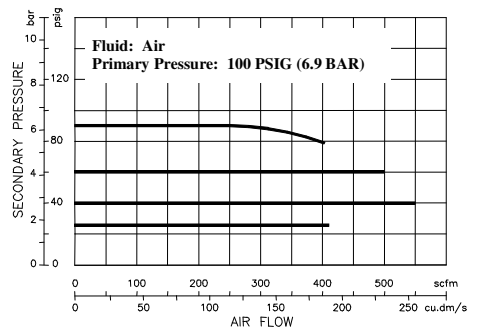
BKT-05: R0002, R0003, R0004  
BKT-06: R0006, R0008, R000A

# FLOW CHARACTERISTICS

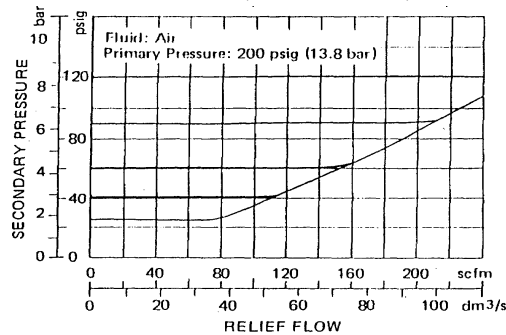
**FORWARD FLOW (RM002-RM004)**



**FORWARD FLOW (RM006-RM00A)**

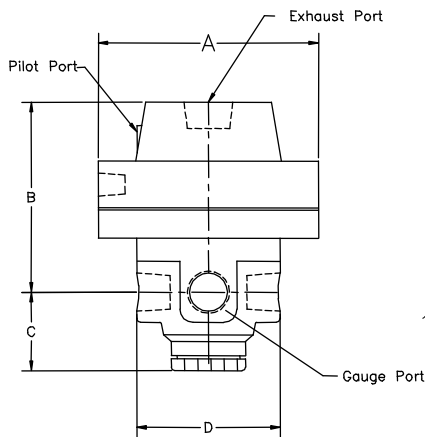


**RELIEF FLOW (RM002 - RM00A)**

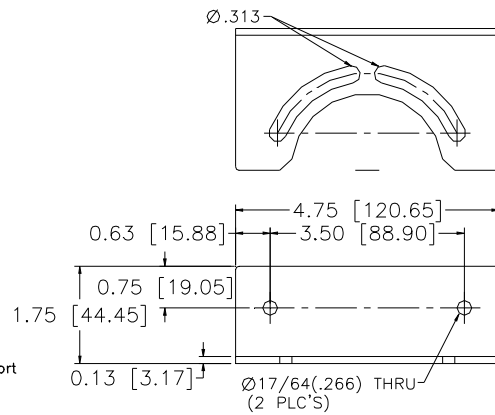


# DIMENSIONS in inches (mm)

**RM002-RM00A**



**MOUNTING BRACKET**



Pipe Size*	A	B	C	D
1/4, 3/8, 1/2	4.16 (106)	3.59(91)	1.48(38)	2.71(69)
3/4, 1, 1 1/4	4.16 (106)	4.11(91)	1.86(38)	3.65(93)

\* Pilot Port is 1/4" PTF & Exhaust Port is 3/4" PTF for all models (1/4" to 1 1/4")

If the main ports are:	Then the gauge ports will be:
1/4 PTF	1/4 PTF
3/8 PTF	3/8 PTF
1/2, 3/4, 1, 1 1/4 PTF	1/2 PTF

**PROPORTION-AIR, INC.**

**BOX 218 MCCORDSVILLE, IN USA 46055**

**PHONE: (317)335-2602**

**FAX: (317)335-3853**

**web site: [www.proportionair.com](http://www.proportionair.com)**

**email address: [info@proportionair.com](mailto:info@proportionair.com)**

BRRM-Series  
01/05/11 JS