

## TECHNICAL SPECIFICATIONS

- Media: water, oil, air, aggressive media, steam<sup>1</sup>
- Media temperature: -10°C ÷ +180°C
- Ambient temperature: -10°C ÷ +60°C
- Pilot media<sup>2</sup>: instrument air, inert gases
- Body material: cast AISI 316L (CF3M), see Piston Actuated Valves Catalogue
- Bonnet material: cast AISI 316L (CF3M), see Piston Actuated Valves Catalogue
- Actuator body material: Polyamide PA6 (reinforced fiberglass 30%)
- Seal material: PTFE
- Position indicator as standard

## BENEFITS

- Waterhammer-free design for **BPG - DPG** (with flow direction 2→1)
- Actuator housing rotation 360°
- Design suitable for vacuum applications up to 10<sup>-2</sup> mbar

## OPTIONS

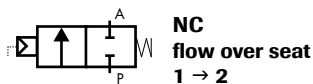
- Stroke regulator assembled ex-factory, see TIS \*1801\* (e.g. code RPG210STJR0)
- Travel switch assembled ex-factory, see TIS \*1801\* (e.g. code PG208STZ10)
- NPT connection (e.g. code BPN207LTY00)
- High temperature version, see TIS \*6024\* (e.g. code PG205STW0H)

## ACCESSORIES

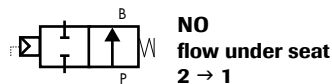
- Position module (see TIS \*1806\*), travel switch kit (see TIS \*1802\*), pilot solenoid valves (see TIS \*0714\*)



### TYPE: PG



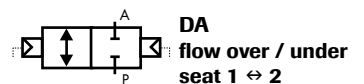
### TYPE: RPG



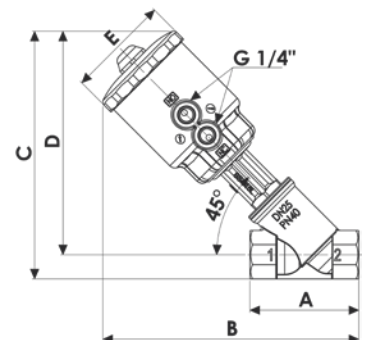
### TYPE: BPG



### TYPE: DPG



DIMENSIONS & WEIGHTS		DN15	DN20	DN25	DN32	DN40	DN50	DN25	DN32	DN40	DN50
<b>actuator</b>	[mm]	Ø 63						Ø 90			
<b>A</b>	[mm]	65	75	90	110	120	150	90	110	120	150
<b>B</b>	[mm]	192	198	212	225	230	248	223	234	239	257
<b>C</b>	[mm]	184	192	205	217	225	241	216	227	235	250
<b>D</b>	[mm]	171	176	185	193	198	207	196	202	207	216
<b>E</b>	[mm]	85	85	85	85	85	85	112	112	112	112
<b>weight</b>	[kg]	1.2	1.3	1.5	1.9	2.1	2.9	2.0	2.4	2.6	3.3



The products listed below comply with the requirements of the European Pressure Equipment Directive 97/23/EC and carry the CE mark when required. The products fall within the following Pressure Equipment Directive categories:

VALVE TYPE	Bodies	Group 1 gases	Group 1 liquids and Group 2 other fluids
<b>PG - RPG - BPG - DPG</b>	DN15 ÷ DN25 (PN40)	SEP	SEP
	DN32 ÷ DN40 (PN25)	Category I	SEP
	DN50 (PN16)	Category I	SEP

## WARNING !

According to the European Pressure Equipment Directive 97/23/EC, liquids whose saturated vapour pressure at the maximum allowable temperature is more than 0,5 barg shall be considered as gases.

## 2/2 WAY PISTON ACTUATED VALVE G 1/2" ÷ 2", REGULAR VERSION - STAINLESS STEEL

VALVE	body connection	DN	flow rate Kvs	working pressure ①		flow direction	pilot pressure ②		actuator Ø	function
				min.	max.		min.	max.		
code	[ISO 228G]	[mm]	[l/min]	[barg]	[barg]	–	[barg]	[barg]	[mm]	–
<b>PG205STW00</b>	1/2"	15	87	0	20	1 → 2	3.7	10	63	<b>NC</b>
<b>PG206STX00</b>	3/4"	20	164	0	20	1 → 2	4.4	10		
<b>PG207STY00</b>	1"	25	260	0	20	1 → 2	5	10		
<b>PG208STZ00</b>	1 1/4"	32	410	0	16	1 → 2	5.9	10		
<b>PG209STK00</b>	1 1/2"	40	700	0	16	1 → 2	9	10		
<b>PG210STJ00</b>	2"	50	950	0	11	1 → 2	8	10		
<b>PG207LTY00</b>	1"	25	260	0	20	1 → 2	2	8	90	
<b>PG208LTZ00</b>	1 1/4"	32	410	0	16	1 → 2	3.5	8		
<b>PG209LTK00</b>	1 1/2"	40	700	0	16	1 → 2	4	8		
<b>PG210LTJ00</b>	2"	50	950	0	15	1 → 2	6.5	8		

<b>RPG205STW00</b>	1/2"	15	87	0	16	2 → 1	2.5	10	63	<b>NO</b>
<b>RPG206STX00</b>	3/4"	20	164	0	16	2 → 1	4.3	10		
<b>RPG207STY00</b>	1"	25	260	0	16	2 → 1	5.5	10		
<b>RPG208STZ00</b>	1 1/4"	32	410	0	16	2 → 1	6.5	10		
<b>RPG209STK00</b>	1 1/2"	40	700	0	16	2 → 1	9	10		
<b>RPG210STJ00</b>	2"	50	950	0	12	2 → 1	9.4	10		
<b>RPG207LTY00</b>	1"	25	260	0	16	2 → 1	2	8	90	
<b>RPG208LTZ00</b>	1 1/4"	32	410	0	16	2 → 1	4	8		
<b>RPG209LTK00</b>	1 1/2"	40	700	0	16	2 → 1	5	8		
<b>RPG210LTJ00</b>	2"	50	950	0	16	2 → 1	7	8		

<b>BPG205STW00</b>	1/2"	15	87	0	16	1 → 2 / 2 → 1	5.5 / 3.8	10	63	<b>NC bidirectional</b>
<b>BPG206STX00</b>	3/4"	20	164	0	16	1 → 2 / 2 → 1	6 / 3.8	10		
<b>BPG207STY00</b>	1"	25	260	0	16 / 11	1 → 2 / 2 → 1	6.5 / 3.8	10		
<b>BPG208STZ00</b>	1 1/4"	32	410	0	16 / 6	1 → 2 / 2 → 1	6.8 / 3.8	10		
<b>BPG209STK00</b>	1 1/2"	40	700	0	12 / 4	1 → 2 / 2 → 1	9 / 3.8	10		
<b>BPG210STJ00</b>	2"	50	950	0	8 / 2.5	1 → 2 / 2 → 1	9 / 3.8	10		
<b>BPG207LTY00</b>	1"	25	260	0	16 / 14	1 → 2 / 2 → 1	4 / 3.3	8	90	
<b>BPG208LTZ00</b>	1 1/4"	32	410	0	16 / 12	1 → 2 / 2 → 1	5 / 3.3	8		
<b>BPG209LTK00</b>	1 1/2"	40	700	0	16 / 8	1 → 2 / 2 → 1	6 / 3.3	8		
<b>BPG210LTJ00</b>	2"	50	950	0	14 / 6	1 → 2 / 2 → 1	8 / 3.3	8		

<b>DPG205STW00</b>	1/2"	15	87	0	16	1 ↔ 2	1.8	2	63	<b>DA</b>
<b>DPG206STX00</b>	3/4"	20	164	0	16	1 ↔ 2	2	3.8		
<b>DPG207STY00</b>	1"	25	260	0	16	1 ↔ 2	3	5		
<b>DPG208STZ00</b>	1 1/4"	32	410	0	16	1 ↔ 2	4.5	6		
<b>DPG209STK00</b>	1 1/2"	40	700	0	16	1 ↔ 2	6.5	7		
<b>DPG210STJ00</b>	2"	50	950	0	12	1 ↔ 2	9	10		

### NOTES

- ① Steam max. working pressure 10 bar (9 barg)
- ② Please contact M&M sales Department for other pilot media
- ③ Minimum pilot pressure at the max. working pressure: for lower working pressures please refer to the COMPARATIVE CHARTS