

## TECHNICAL SPECIFICATIONS

Protection class: II 2 GD c Tx

Media: water, oil, air, aggressive media, steam<sup>Ⓢ</sup>

Media temperature: -10°C ÷ +200°C

Ambient temperature: -10°C ÷ +80°C

Pilot media<sup>Ⓢ</sup>: instrument air, inert gases

Body material: cast AISI 316L (CF3M), see Piston Actuated Valves Catalogue

Bonnet material: cast AISI 316L (CF3M), see Piston Actuated Valves Catalogue

Actuator body material: ASTM A 351 CF8 (AISI 304)

Actuator cover material: ASTM A 351 CF8 (AISI 304)

Actuator housing material: ASTM A 351 CF8 (AISI 304)

Piston material: aluminium

Seal material: FKM

Position indicator as standard

## BENEFITS

Waterhammer-free design for **BPG** (with flow direction 2→1)

Actuator housing rotation 360°

High resistance to external agents, shocks

## OPTIONS

ATEX inductive switch assembled ex-factory (e.g. code PG207MTYX0), with ambient temperature -10°C ÷ +60°C

## ACCESSORIES

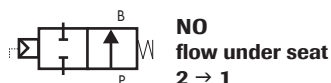
ATEX pilot solenoid valves type N326CVEK see TIS \*0718\*



### TYPE: PG



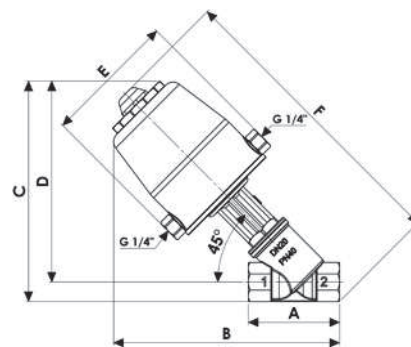
### TYPE: RPG



### TYPE: BPG



DIMENSIONS & WEIGHTS		DN15	DN20	DN25	DN32	DN40	DN50	DN25	DN32	DN40	DN50
actuator	[mm]	Ø 63						Ø 90			
A	[mm]	65	75	90	110	120	150	90	110	120	150
B	[mm]	178	184	200	211	216	234	208	221	226	244
C	[mm]	171	178	200	204	212	227	201	213	221	236
D	[mm]	157	162	172	180	184	193	181	189	194	202
E	[mm]	108	108	108	108	108	108	135	135	135	135
F	[mm]	228	239	258	275	284	307	260	278	286	310
weight	[kg]	2.3	2.4	2.6	3.1	3.4	4.1	3.6	4.1	4.3	5.1



The pilot solenoid valves ports have a G 1/4" thread and are marked with NO/NC (Normally Open/Normally Closed)

The products listed below comply with the requirements of the European Pressure Equipment Directive 97/23/EC and carry the CE mark when required.

The products fall within the following Pressure Equipment Directive categories:

VALVE TYPE	Bodies	Group 1 gases	Group 1 liquids and Group 2 other fluids
PG - RPG - BPG	DN15 ÷ DN25 (PN40)	SEP	SEP
	DN32 ÷ DN40 (PN25)	Category I	SEP
	DN50 (PN16)	Category I	SEP

## WARNING !

According to the European Pressure Equipment Directive 97/23/EC, liquids whose saturated vapour pressure at the maximum allowable temperature is more than 0,5 barg shall be considered as gases.

## PISTON ACTUATED VALVE SERIES M AND G FOR USE IN POTENTIALLY EXPLOSIVE ATMOSPHERES - II 2 GD C TX CLASS

VALVE	body connection	DN	flow rate Kvs	working pressure ①		flow direction	pilot pressure ②		actuator Ø	function
				min.	max.		min.	max.		
code	[ISO 228G]	[mm]	[l/min]	[barg]	[barg]	–	[barg]	[barg]	[mm]	–
<b>PG205MTW00</b>	1/2"	15	87	0	20	1 → 2	3.7	10	63	<b>NC</b>
<b>PG206MTX00</b>	3/4"	20	164	0	20	1 → 2	4.4	10		
<b>PG207MTY00</b>	1"	25	260	0	20	1 → 2	5	10		
<b>PG208MTZ00</b>	1 1/4"	32	410	0	16	1 → 2	5.9	10		
<b>PG209MTK00</b>	1 1/2"	40	700	0	16	1 → 2	9	10		
<b>PG210MTJ00</b>	2"	50	950	0	11	1 → 2	8	10		
<b>PG207GTU00</b>	1"	25	260	0	20	1 → 2	2	8	90	
<b>PG208GTZ00</b>	1 1/4"	32	410	0	16	1 → 2	3.5	8		
<b>PG209GTK00</b>	1 1/2"	40	700	0	16	1 → 2	4	8		
<b>PG210GTJ00</b>	2"	50	950	0	15	1 → 2	6.5	8		

<b>RPG205MTW00</b>	1/2"	15	87	0	16	2 → 1	2.5	10	63	<b>NO</b>
<b>RPG206MTX00</b>	3/4"	20	164	0	16	2 → 1	4.3	10		
<b>RPG207MTY00</b>	1"	25	260	0	16	2 → 1	5.5	10		
<b>RPG208MTZ00</b>	1 1/4"	32	410	0	16	2 → 1	6.5	10		
<b>RPG209MTK00</b>	1 1/2"	40	700	0	16	2 → 1	9	10		
<b>RPG210MTJ00</b>	2"	50	950	0	12	2 → 1	9.4	10		
<b>RPG207GTU00</b>	1"	25	260	0	16	2 → 1	2	8	90	
<b>RPG208GTZ00</b>	1 1/4"	32	410	0	16	2 → 1	4	8		
<b>RPG209GTK00</b>	1 1/2"	40	700	0	16	2 → 1	5	8		
<b>RPG210GTJ00</b>	2"	50	950	0	16	2 → 1	7	8		

<b>BPG205MTW00</b>	1/2"	15	87	0	16	1 → 2 / 2 → 1	5.5 / 3.8	10	63	<b>NC bidirectional</b>
<b>BPG206MTX00</b>	3/4"	20	164	0	16	1 → 2 / 2 → 1	6 / 3.8	10		
<b>BPG207MTY00</b>	1"	25	260	0	16 / 11	1 → 2 / 2 → 1	6.5 / 3.8	10		
<b>BPG208MTZ00</b>	1 1/4"	32	410	0	16 / 6	1 → 2 / 2 → 1	6.8 / 3.8	10		
<b>BPG209MTK00</b>	1 1/2"	40	700	0	12 / 4	1 → 2 / 2 → 1	9 / 3.8	10		
<b>BPG210MTJ00</b>	2"	50	950	0	8 / 2.5	1 → 2 / 2 → 1	9 / 3.8	10		
<b>BPG207GTU00</b>	1"	25	260	0	16 / 14	1 → 2 / 2 → 1	4 / 3.3	8	90	
<b>BPG208GTZ00</b>	1 1/4"	32	410	0	16 / 12	1 → 2 / 2 → 1	5 / 3.3	8		
<b>BPG209GTK00</b>	1 1/2"	40	700	0	16 / 8	1 → 2 / 2 → 1	6 / 3.3	8		
<b>BPG210GTJ00</b>	2"	50	950	0	14 / 6	1 → 2 / 2 → 1	8 / 3.3	8		

### NOTES

- ① Steam max. working pressure 10 bar (9 barg)
- ② Please contact M&M sales Department for other pilot media
- ③ Minimum pilot pressure at the max. working pressure: for lower working pressures please refer to the COMPARATIVE CHARTS

### TECHNICAL SPECIFICATIONS OF INDUCTIVE SWITCH

- Type of sensor: in accordance with Namur standards EN 60947-5-6
- Switching distance (Sn): 4 mm
- Continuous voltage (residual ripple ≤10%): 8,2V
- Current absorption at 8,2V in presence of metal: ≤ 1mA
- Current absorption at 8,2V in absence of metal: ≥ 3mA
- Switching frequency: 2000 Hz
- Repeatability (% of Sn): ≤ 3
- Housing material: nickel-plated brass
- Cable: PVC 2x0,25 mm<sup>2</sup>
- Safety rating: UI=17V - Ii=17mA - Pi=73mW - Ci=0,25uF - Li=175uH

